



US00D432102S

United States Patent [19] Arie

[11] **Patent Number: Des. 432,102**

[45] **Date of Patent: ** Oct. 17, 2000**

[54] **TELEVISION MONITOR**

[75] Inventor: **Isamu Arie**, Tokyo, Japan

[73] Assignee: **Sony Corporation**, Japan

[**] Term: **14 Years**

[21] Appl. No.: **29/115,172**

[22] Filed: **Dec. 9, 1999**

[30] **Foreign Application Priority Data**

Jun. 18, 1999 [JP] Japan 11-15789

[51] **LOC (7) Cl.** **14-03**

[52] **U.S. Cl.** **D14/126; D14/375**

[58] **Field of Search** **D14/371-382, D14/126-134; 312/7.2; 348/836, 838; 345/905**

[56] **References Cited**

U.S. PATENT DOCUMENTS

D. 393,462	4/1998	Morimiya	D14/126
D. 413,595	9/1999	Arie	D14/126
D. 413,870	9/1999	Kuo	D14/113
D. 419,141	1/2000	Evanicky et al.	D14/113

OTHER PUBLICATIONS

Catalog "LL-T140A", 2 sheets, Sharp (Nov. 1997).
Catalog "89", p. 203, Sony (Jul. 1998).
Catalog "RDT150S", 2 sheets, Mitsubishi (Nov. 1998).
Catalog "LDC-A15T", 2 sheets, IO Data (Jan. 1999).
Catalog "FLORA Prius Line Up", 3 sheets, Hitachi (Feb. 1999).

Primary Examiner—Richelle Shelton
Attorney, Agent, or Firm—Rader, Fishman & Grauer

[57] **CLAIM**

The ornamental design for a television monitor, as shown and described.

DESCRIPTION

FIG. 1 is a perspective view of a television monitor showing my new design;
FIG. 2 is a top plan view thereof;
FIG. 3 is a bottom plan view thereof;
FIG. 4 is a left side elevational view thereof;
FIG. 5 is a right side elevational view thereof;
FIG. 6 is a front elevational view thereof; and,
FIG. 7 is a rear elevational view thereof.

1 Claim, 4 Drawing Sheets

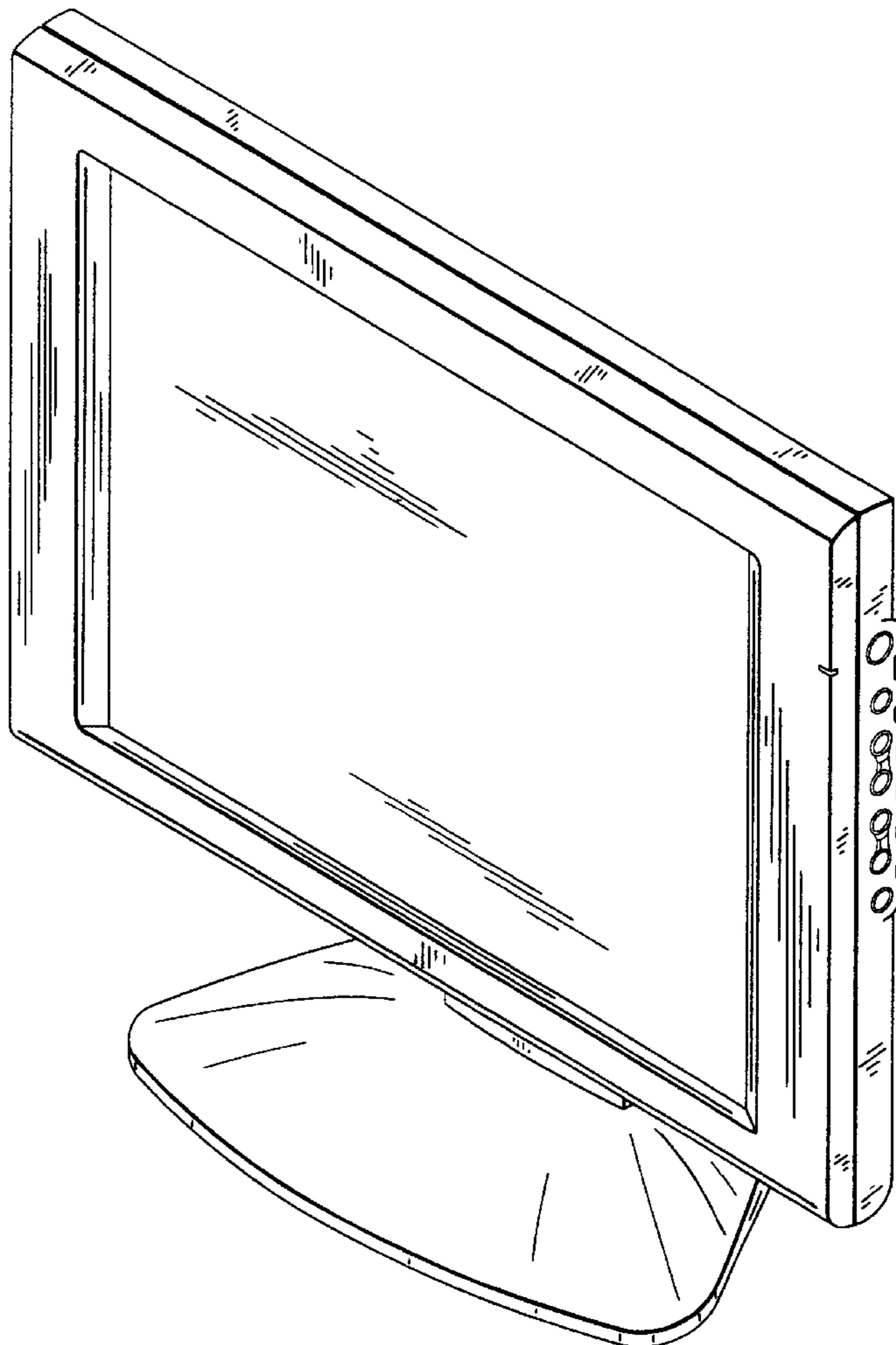


FIG. 1

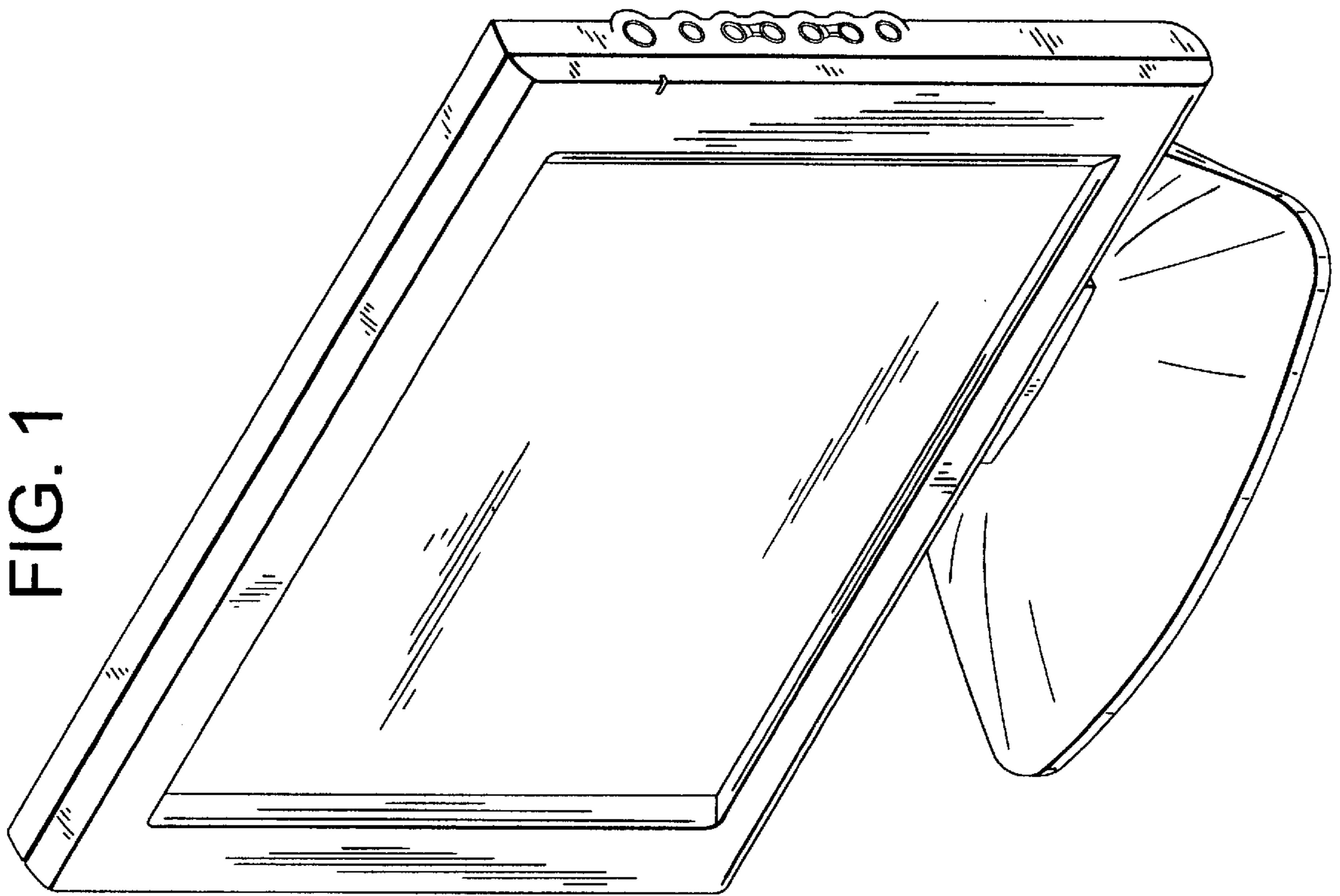


FIG. 3

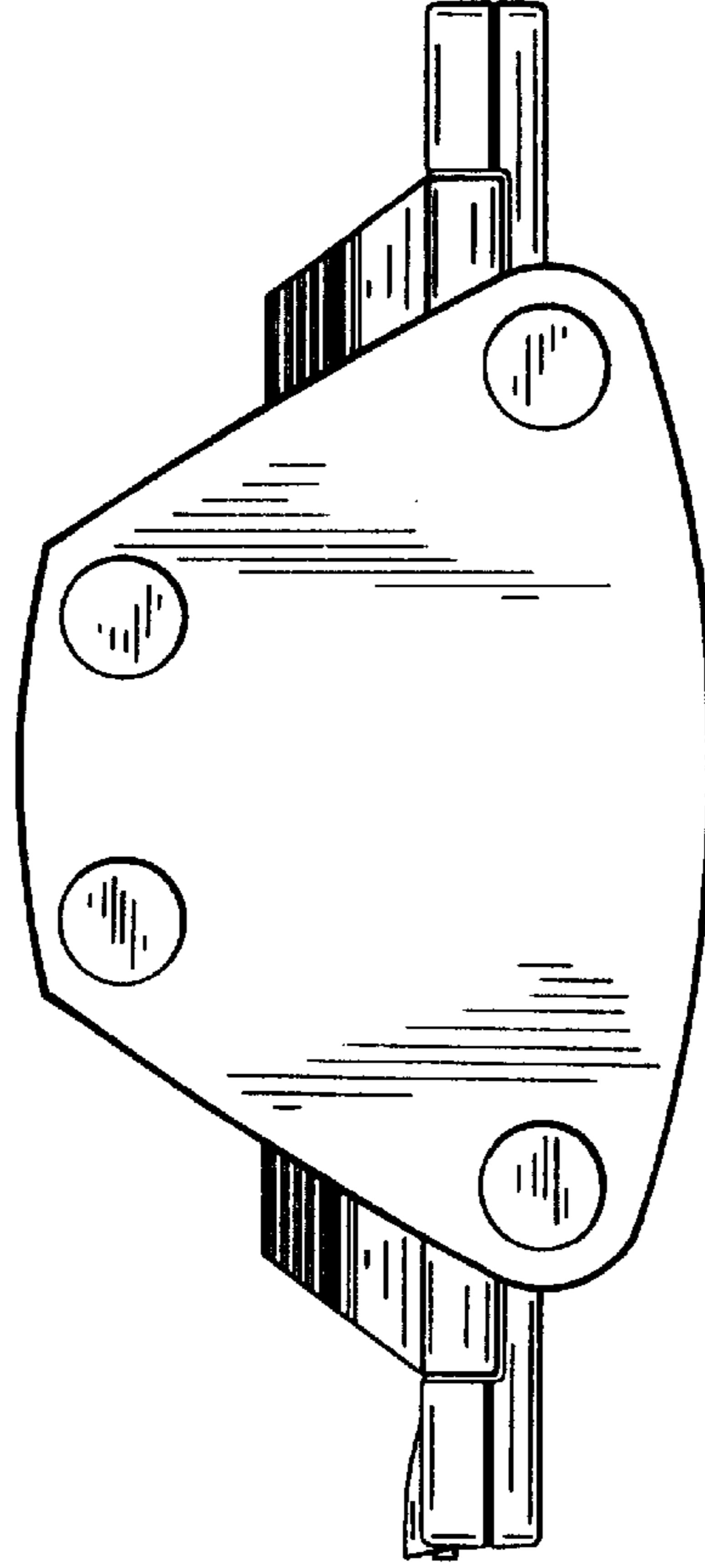


FIG. 2

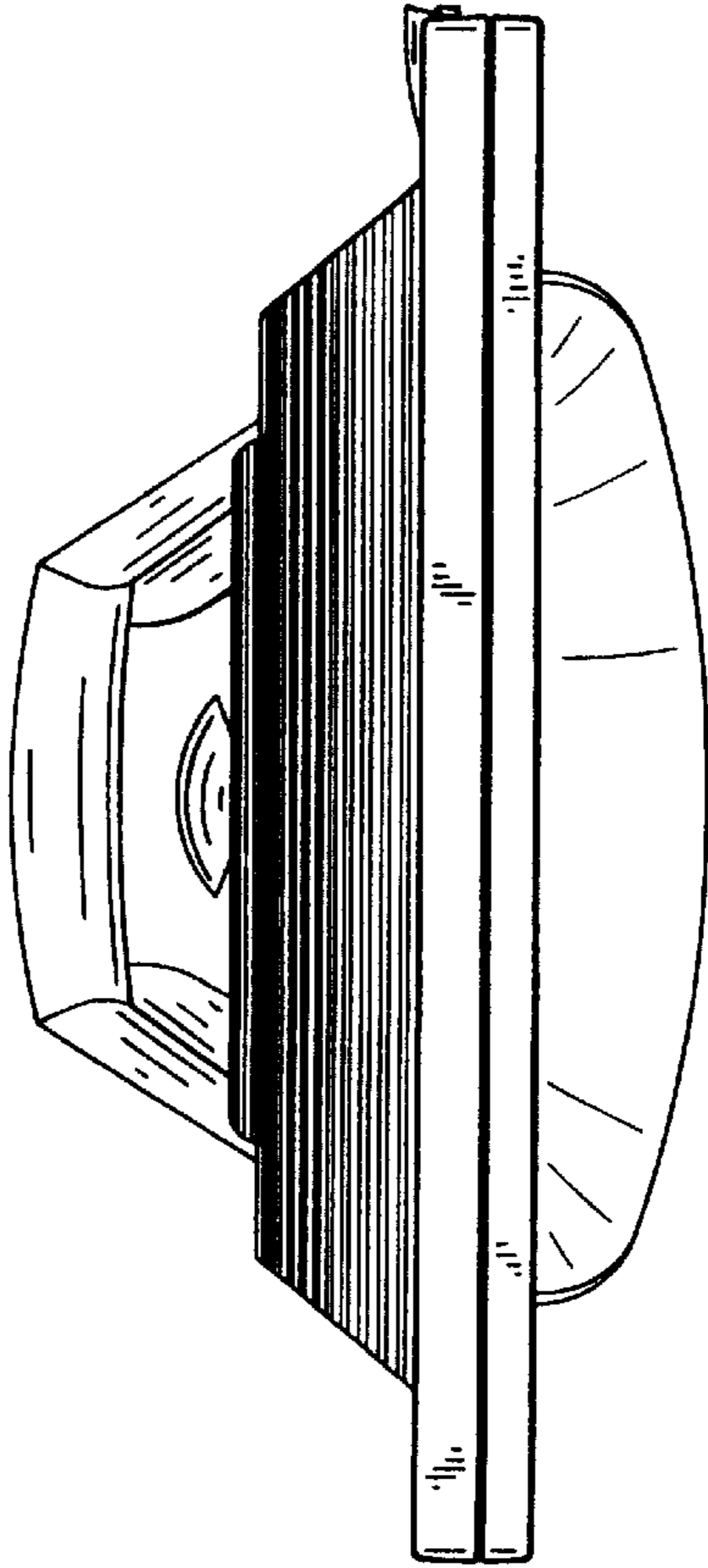


FIG. 5

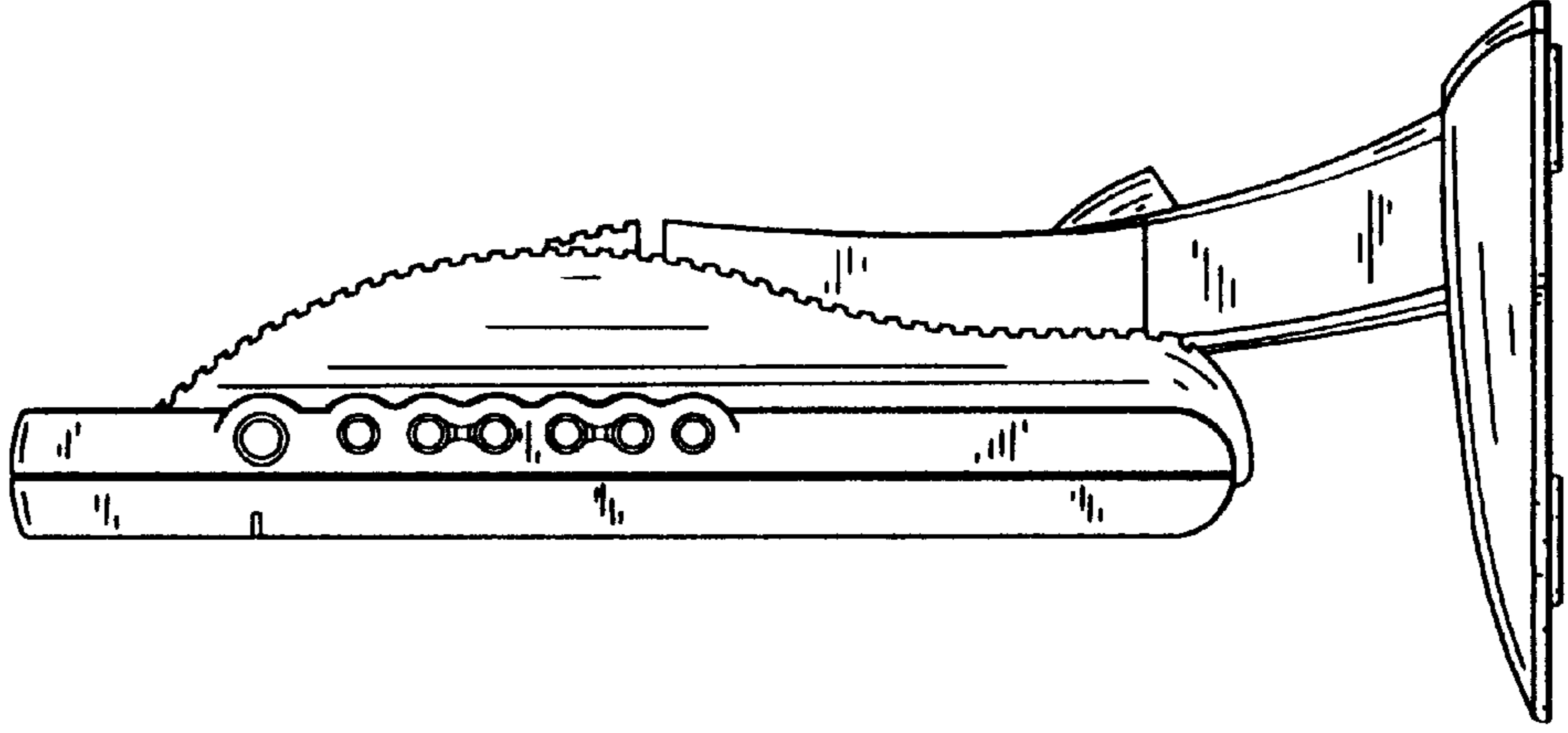


FIG. 4

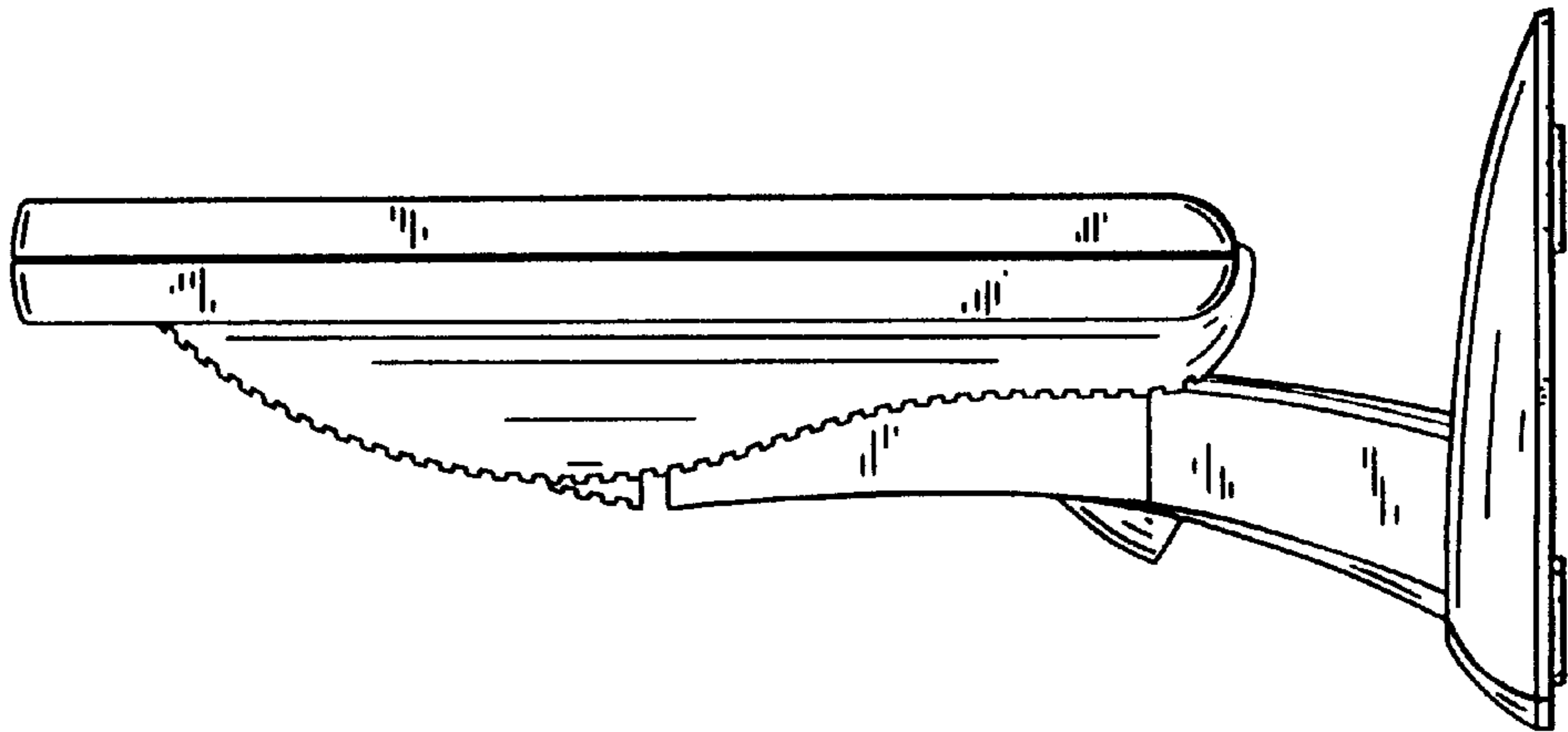


FIG. 7

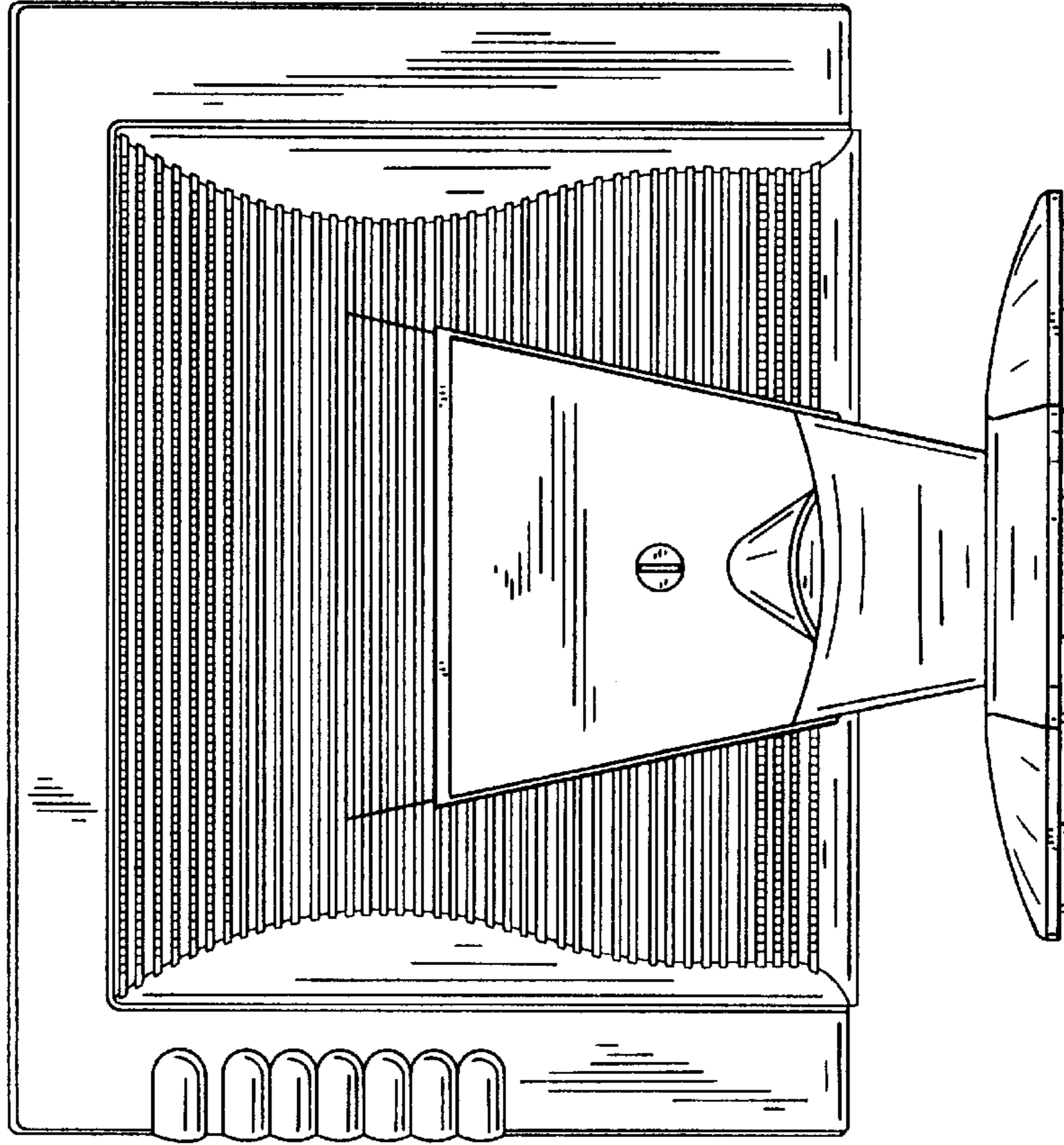


FIG. 6

