



US00D432100S

United States Patent [19]

Zink et al.

[11] Patent Number: Des. 432,100

[45] Date of Patent: ** Oct. 17, 2000

[54] **GRAPHIC REPRESENTATION FOR DISPLAY ON A MONITOR**

[75] Inventors: **Joseph H. Zink**, Beavercreek; **Paul T. Schweizer**, Oakwood, both of Ohio

[73] Assignee: **Giddings & Lewis, Inc.**, Fond du Lac, Wis.

[**] Term: **14 Years**

[21] Appl. No.: **29/075,405**

[22] Filed: **Aug. 18, 1997**

[51] **LOC (7) Cl.** **14-02**

[52] **U.S. Cl.** **D14/114.3**

[58] **Field of Search** D14/114, 114.1-114.9; D18/24-27; D10/11; D19/6; 345/326, 339-40, 347-57

[56] References Cited

U.S. PATENT DOCUMENTS

D. 393,634	4/1998	Stuckey	D14/114.5
D. 395,291	6/1998	Mason et al.	D14/114.3
D. 396,458	7/1998	Bohnert et al.	D14/114.5
D. 398,000	9/1998	Cappa et al.	D14/114.3

OTHER PUBLICATIONS

Symbol Sourcebook, Henry Dreyfuss, protect from heat symbol; do not stack symbol; lift, pull, open here, dimensions symbols; p. 98, 1972.

Symbol Sourcebook, Henry Dreyfuss, crystal structures symbols, p. 69; symbols, p. 206, 1972.

Giddings & Lewis, Inc., Sales Brochure for Cordax MeasureMax, 2 pgs., 1997.

Helmel, Advertisement for Checkpack CMM, 2 pgs., 1997.

Giddings & Lewis, Inc., Sales Brochure for R-Series, Cordax Coordinate Measuring Machines, 6 pgs., 1995.

D.E.A., Sales Brochure for Swift CMM, 6 pgs., Mar. 1994.

D.E.A., Sales Brochure for Scirocco CMM, 6 pgs., Mar. 1994.

International Metrology Systems, Sales Brochure for Impact, 6 pgs.

Primary Examiner—M. H. Tung

Attorney, Agent, or Firm—Foley & Lardner

[57] CLAIM

We claim the ornamental design for a graphic representation for display on a monitor, as shown and described.

DESCRIPTION

FIG. 1 is a perspective view of a graphic representation for display on a monitor showing the claimed design;

FIG. 2 is a face view thereof;

FIG. 3 is a face view of a second embodiment thereof;

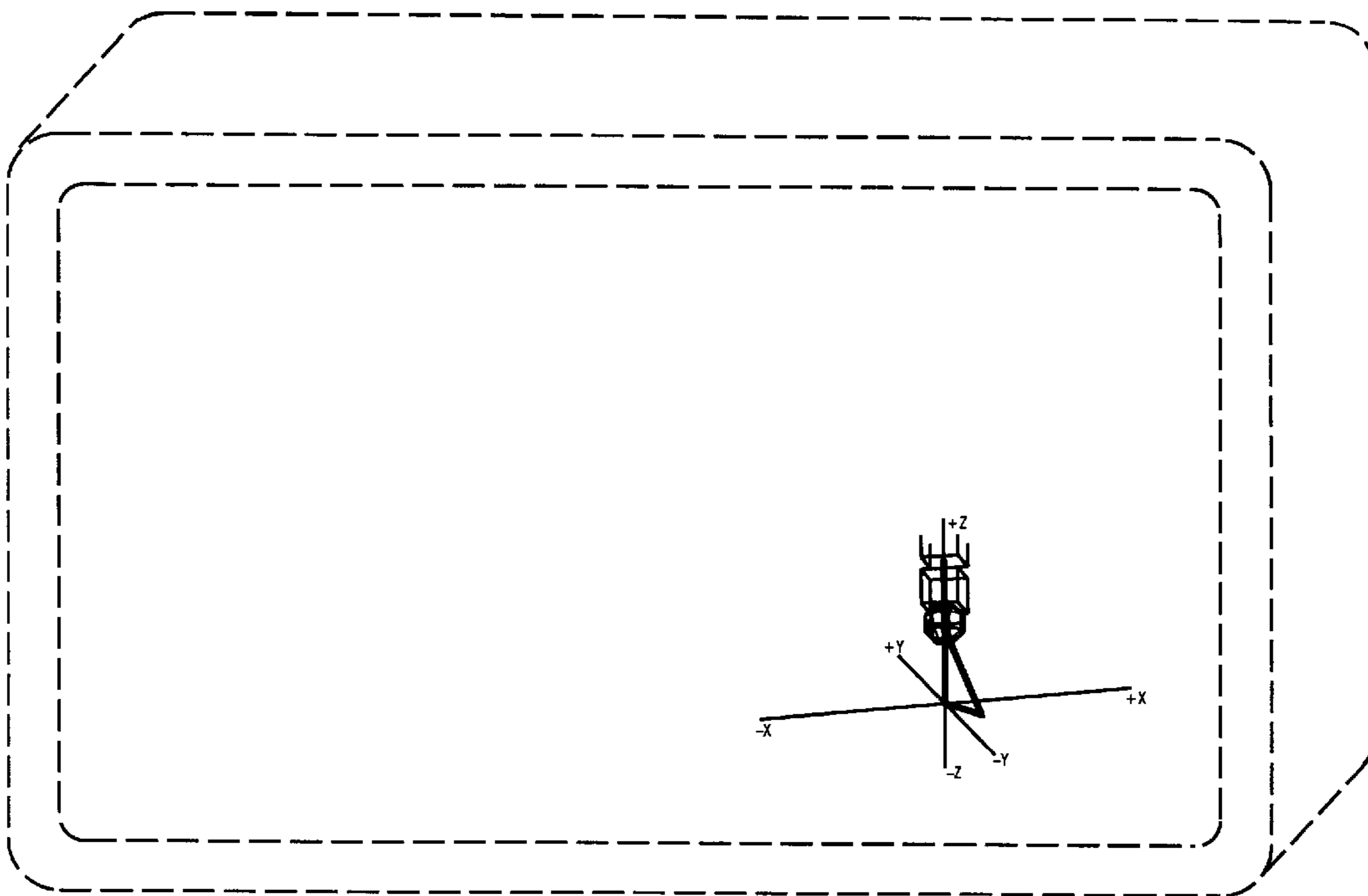
FIG. 4 is a face view of a third embodiment thereof;

FIG. 5 is a face view of a fourth embodiment thereof; and,

FIG. 6 is a face view of the first embodiment.

The broken line drawing of a monitor in FIGS. 1-2 is for illustrative purposes only and forms no part of the claimed design. The graphic representation in FIGS. 3-6 is shown on an enlarged scale, and separately for clarity of illustration.

1 Claim, 3 Drawing Sheets



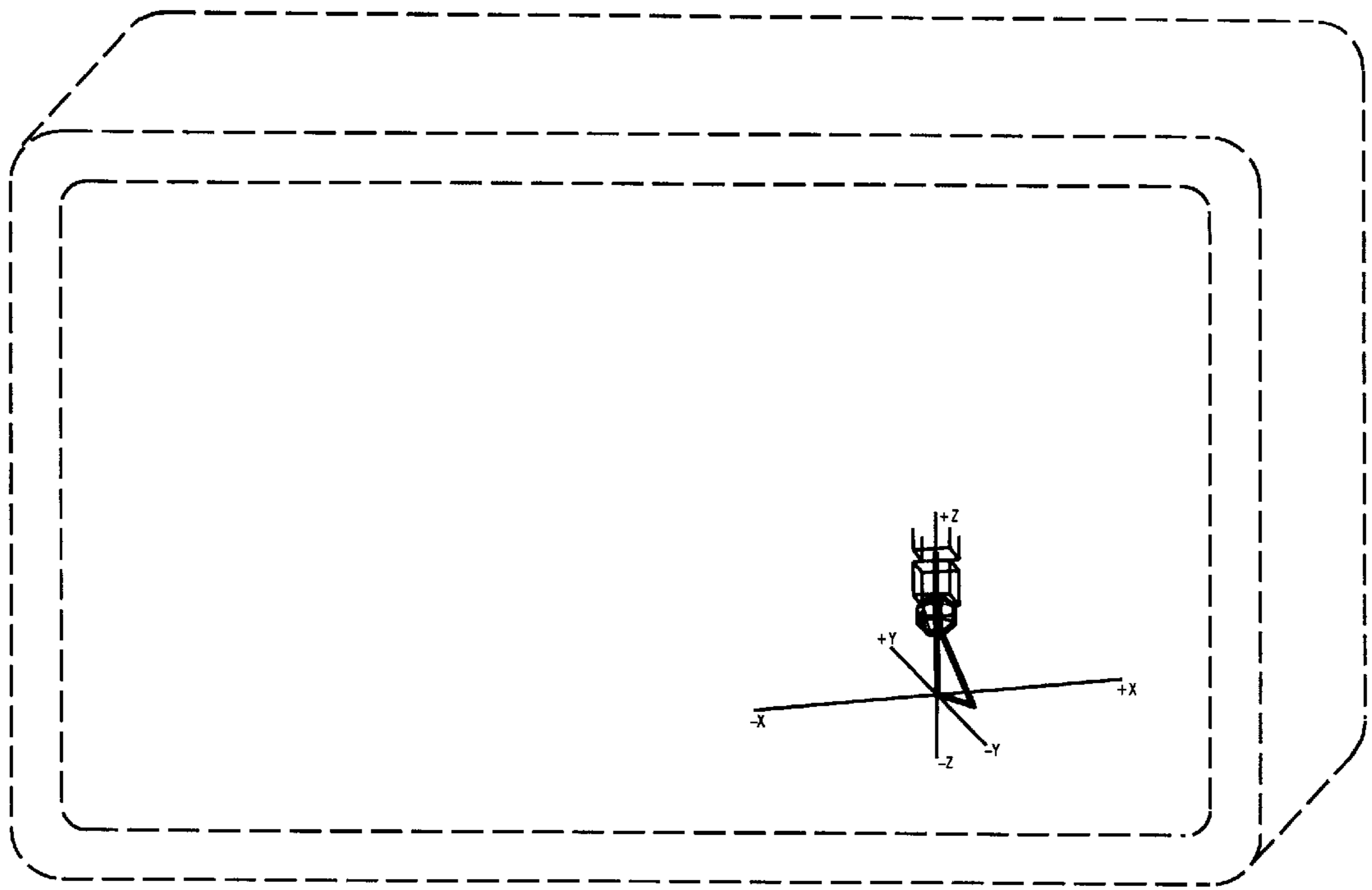


FIG. 1

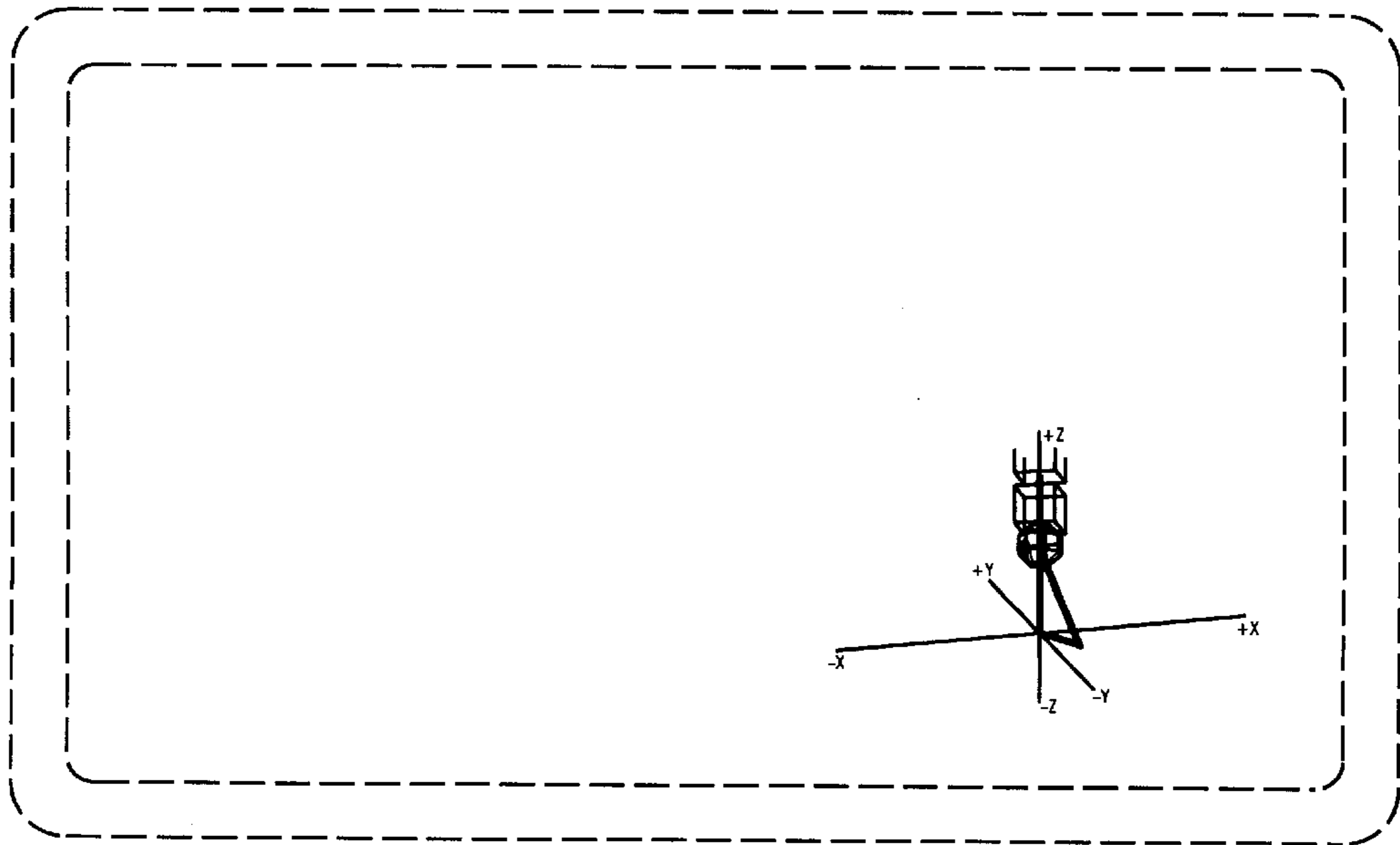


FIG. 2

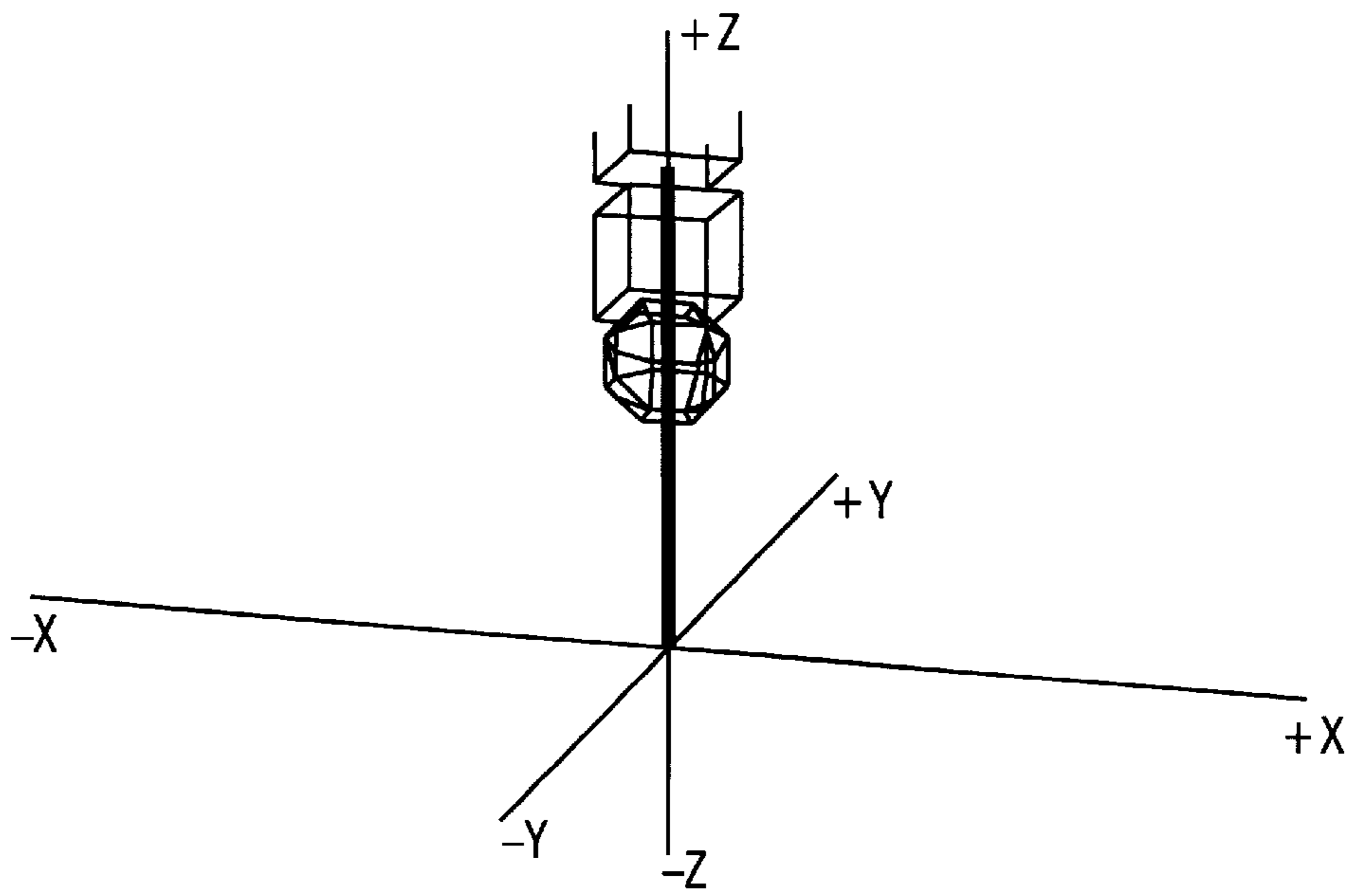


FIG. 3

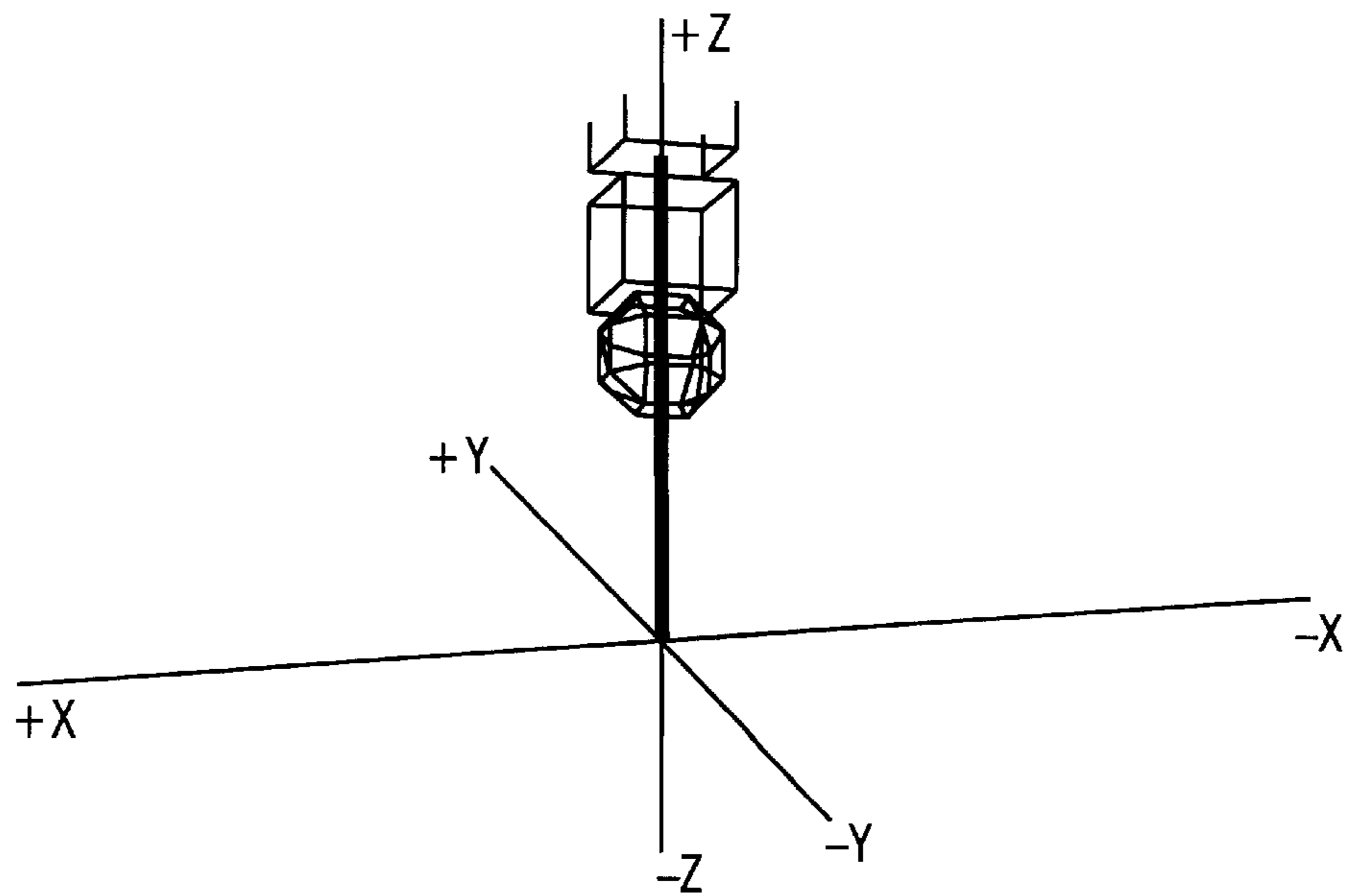


FIG. 4

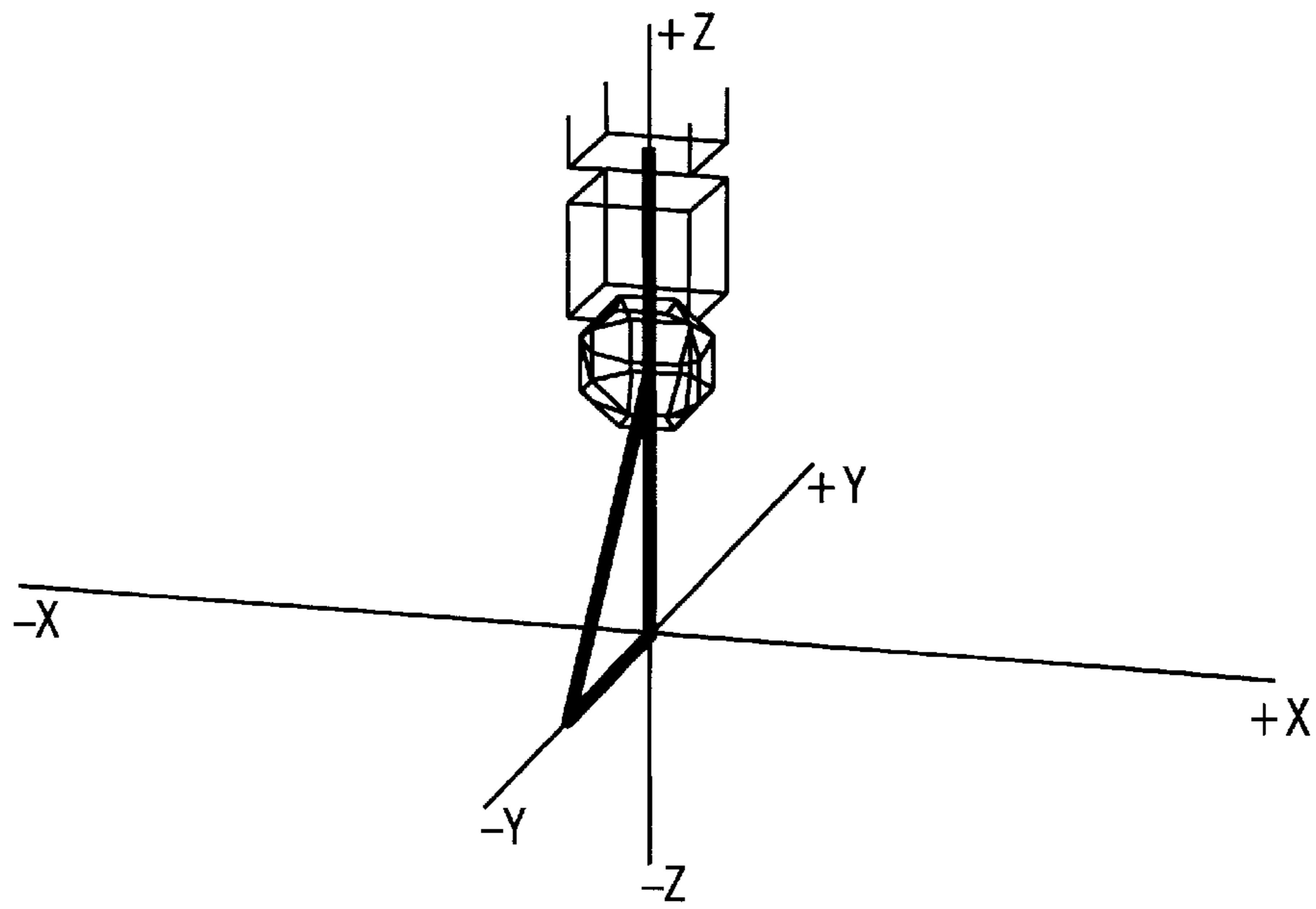


FIG. 5

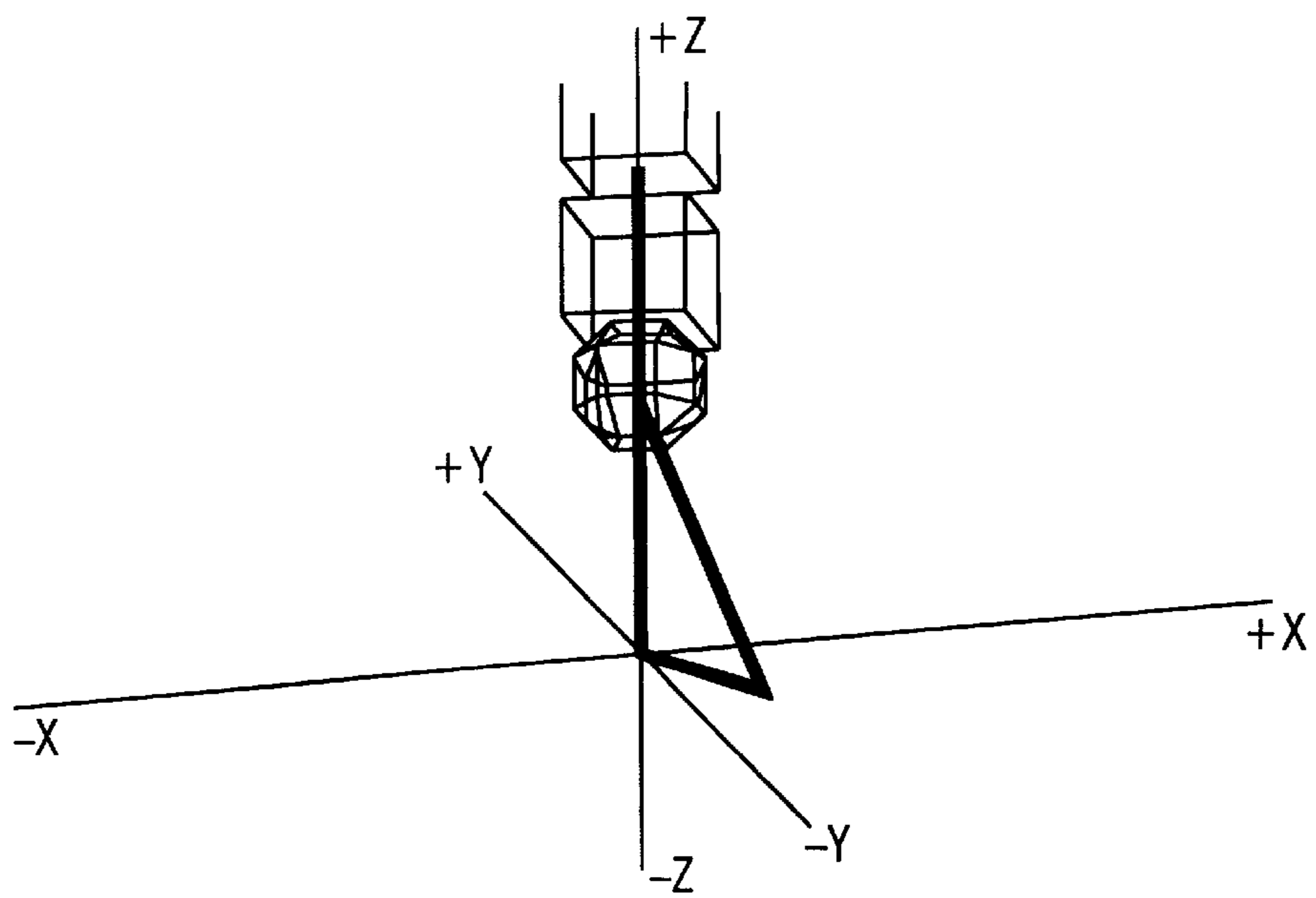


FIG. 6