

US00D432099S

United States Patent [19]

Loh et al.

[11] **Patent Number: Des. 432,099**

[45] **Date of Patent: ** Oct. 17, 2000**

[54] **PERSONAL ORGANIZER**

D. 376,351 12/1996 Matsumoto D14/100
5,555,157 9/1996 Moller et al. 361/683

[75] Inventors: **Philip Kwok Nan Loh**, Singapore, Singapore; **Edwin Lord Beck**, Delaware, Ohio; **Jeremy Galten**, San Francisco, Calif.

Primary Examiner—Freda Nunn

[73] Assignee: **Hewlett-Packard Company**, Palo Alto, Calif.

[57] CLAIM

[**] Term: **14 Years**

The ornamental design for a personal organizer, as shown and described.

[21] Appl. No.: **29/103,647**

DESCRIPTION

[22] Filed: **Apr. 20, 1999**

FIG. 1 is a perspective view of a personal organizer showing our new design;

[51] **LOC (7) Cl.** **14-02**

[52] **U.S. Cl.** **D14/100**

[58] **Field of Search** D14/100, 106, D14/115; D18/1, 2, 6, 7; 178/18.03, 18.08; 235/145 A, 145 R; 345/156, 168, 169; 341/22, 23; 364/708.1; 349/12; 361/680-686

FIG. 2 is a perspective view thereof with the cover shown in the opened position;

FIG. 3 is an end elevational view thereof;

FIG. 4 is an opposite end elevational view thereof;

FIG. 5 is side elevational view thereof;

FIG. 6 is an opposite side elevational view thereof;

FIG. 7 is a top plan view thereof; and,

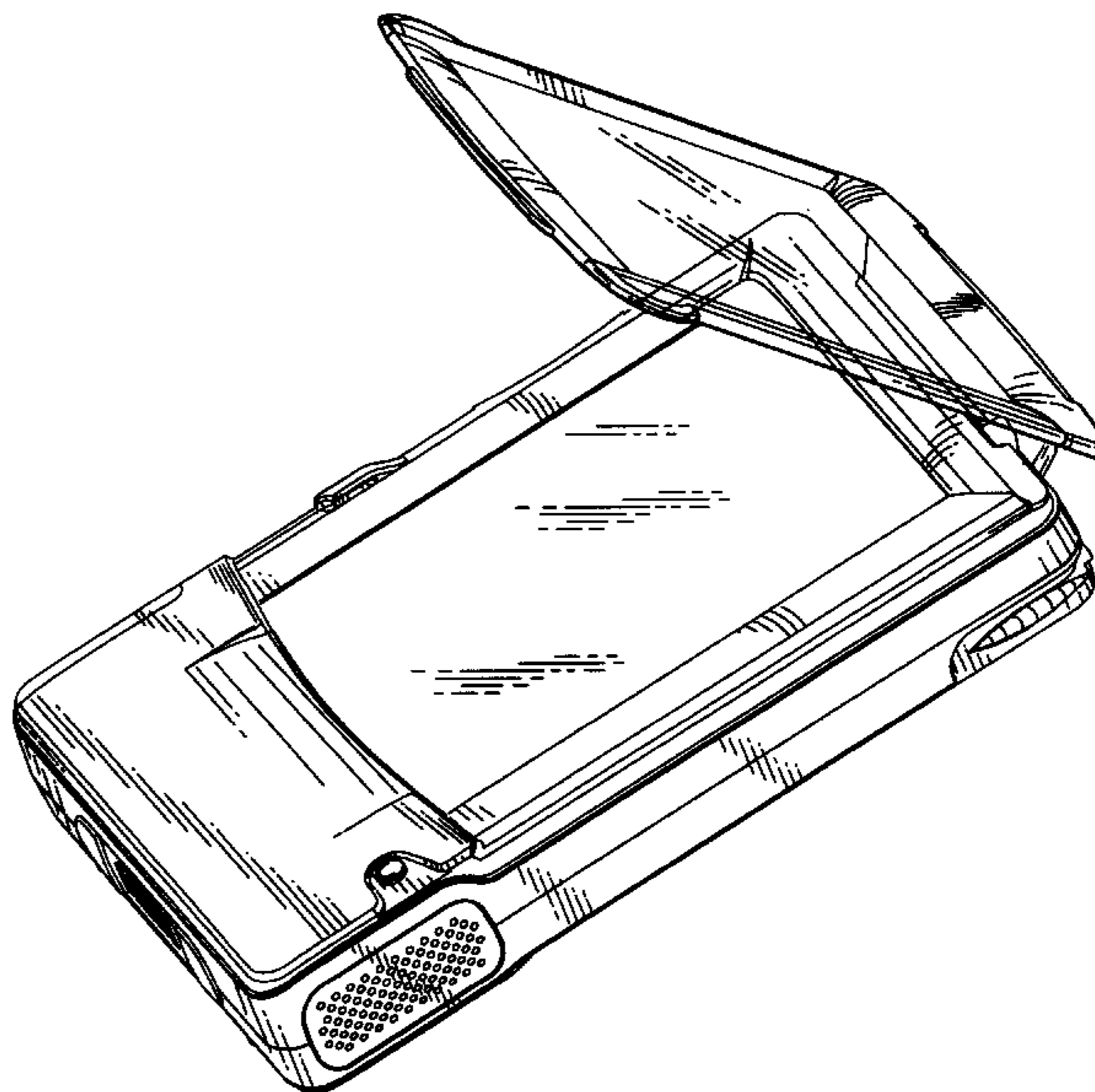
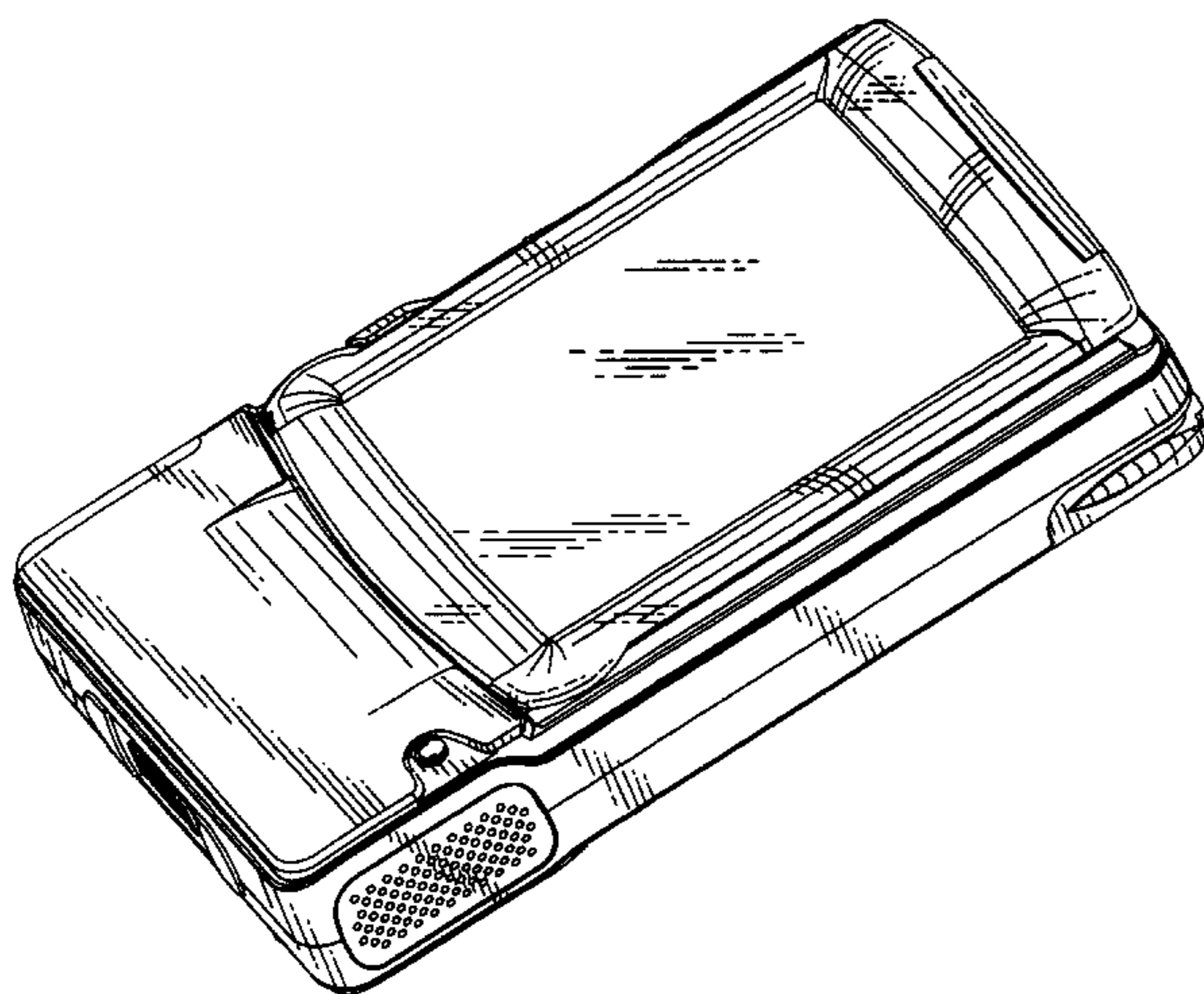
FIG. 8 is a bottom plan view thereof.

[56] References Cited

U.S. PATENT DOCUMENTS

D. 354,478 1/1995 Miyahara D14/100

1 Claim, 6 Drawing Sheets



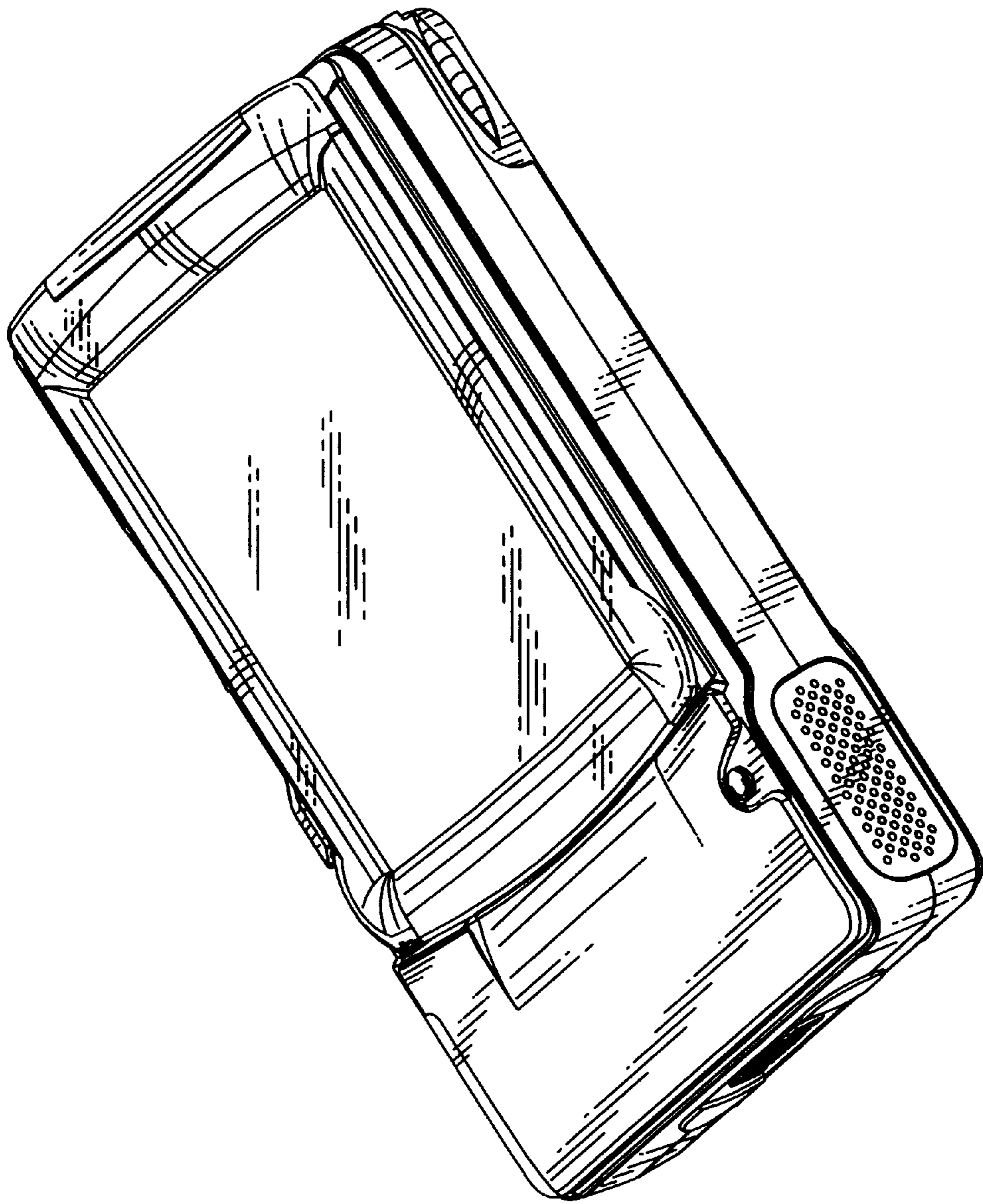


Figure 1

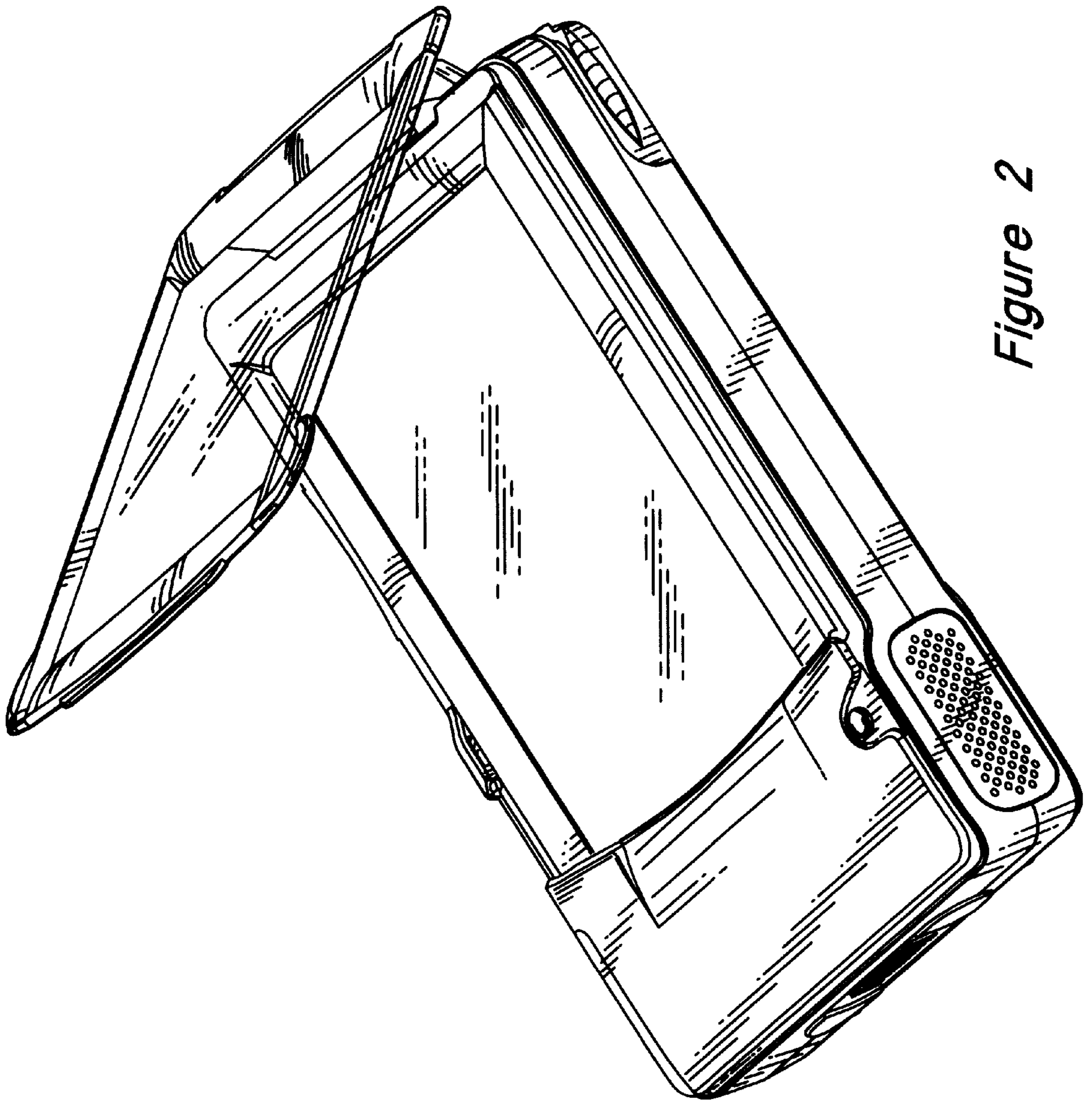


Figure 2

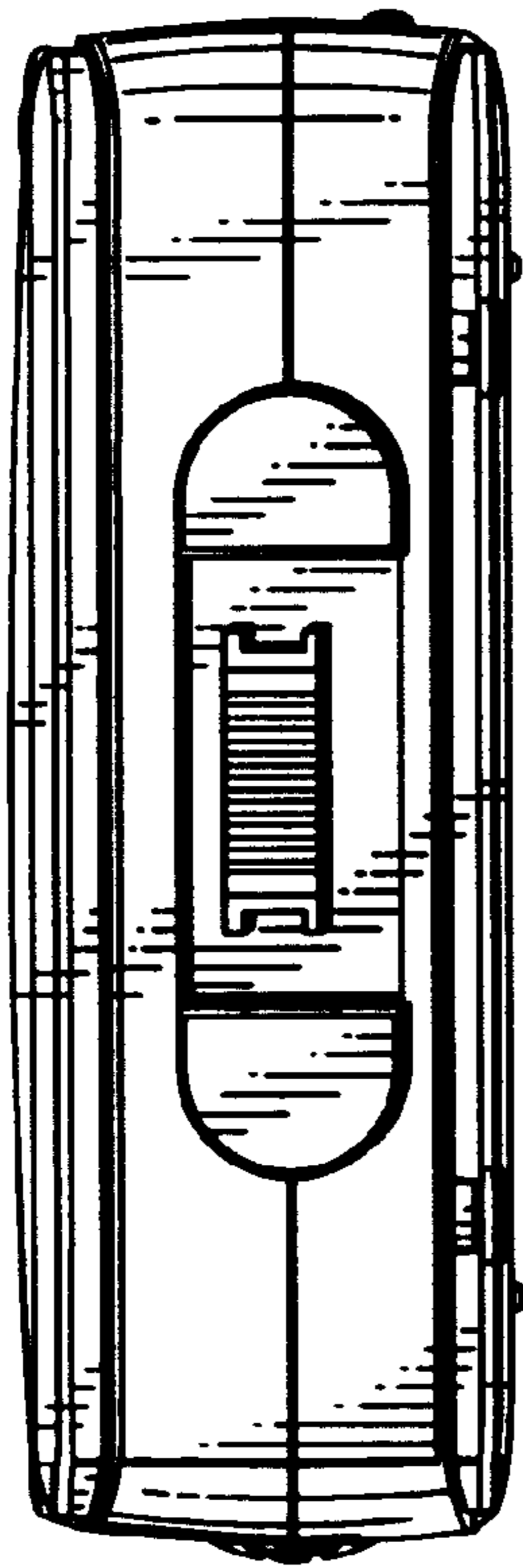


Figure 3

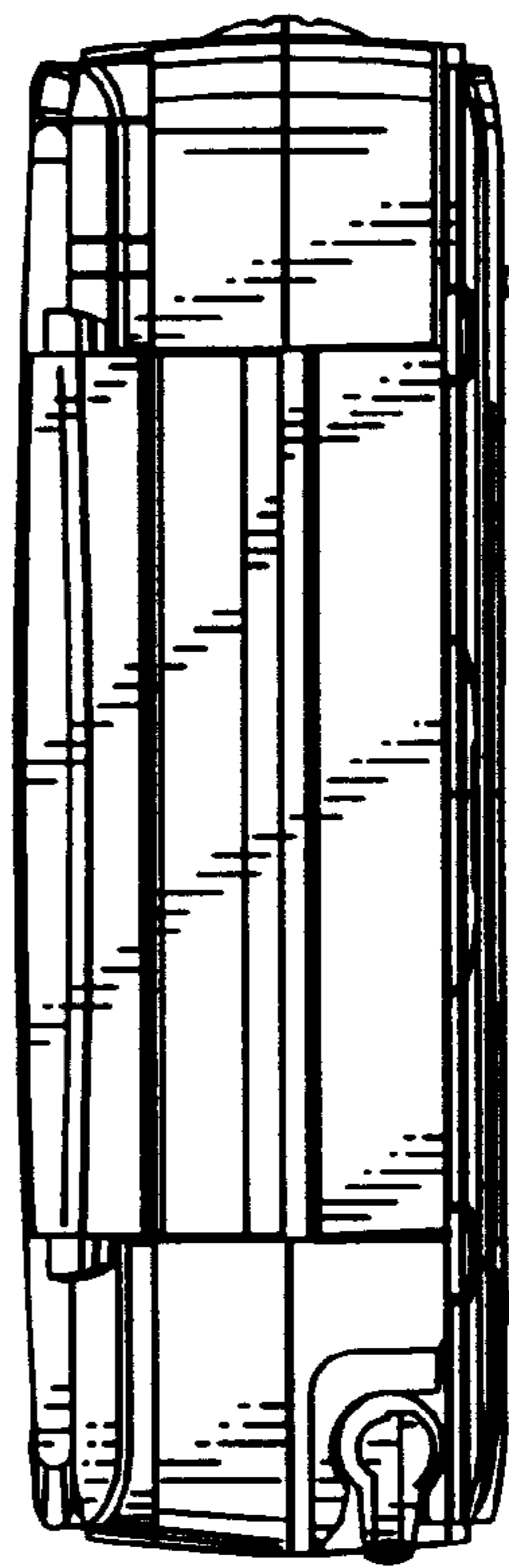


Figure 4

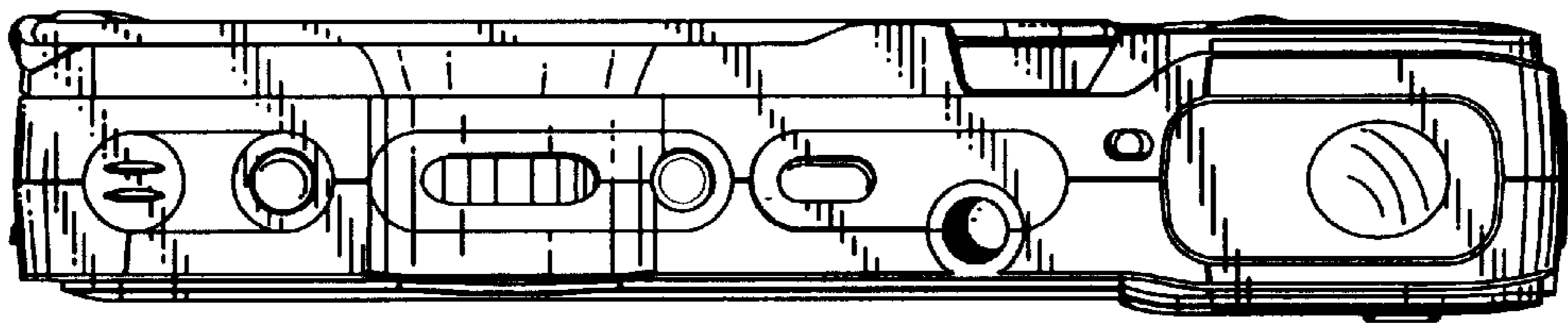


Figure 6

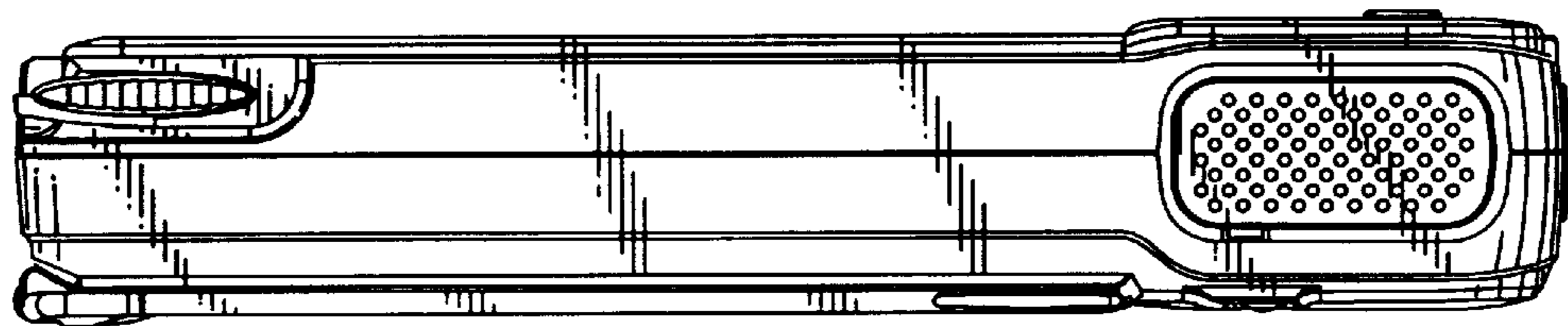


Figure 5

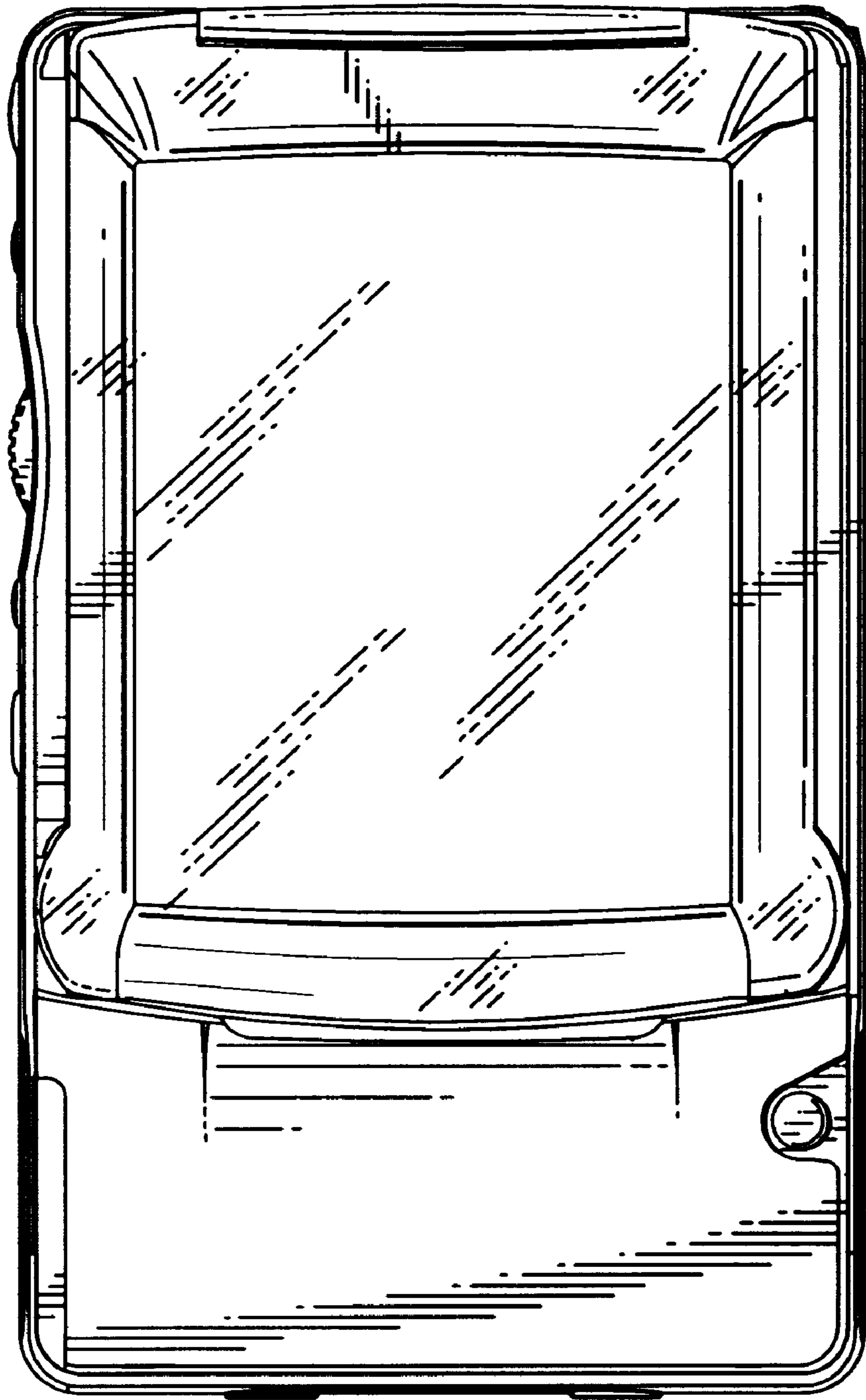


Figure 7

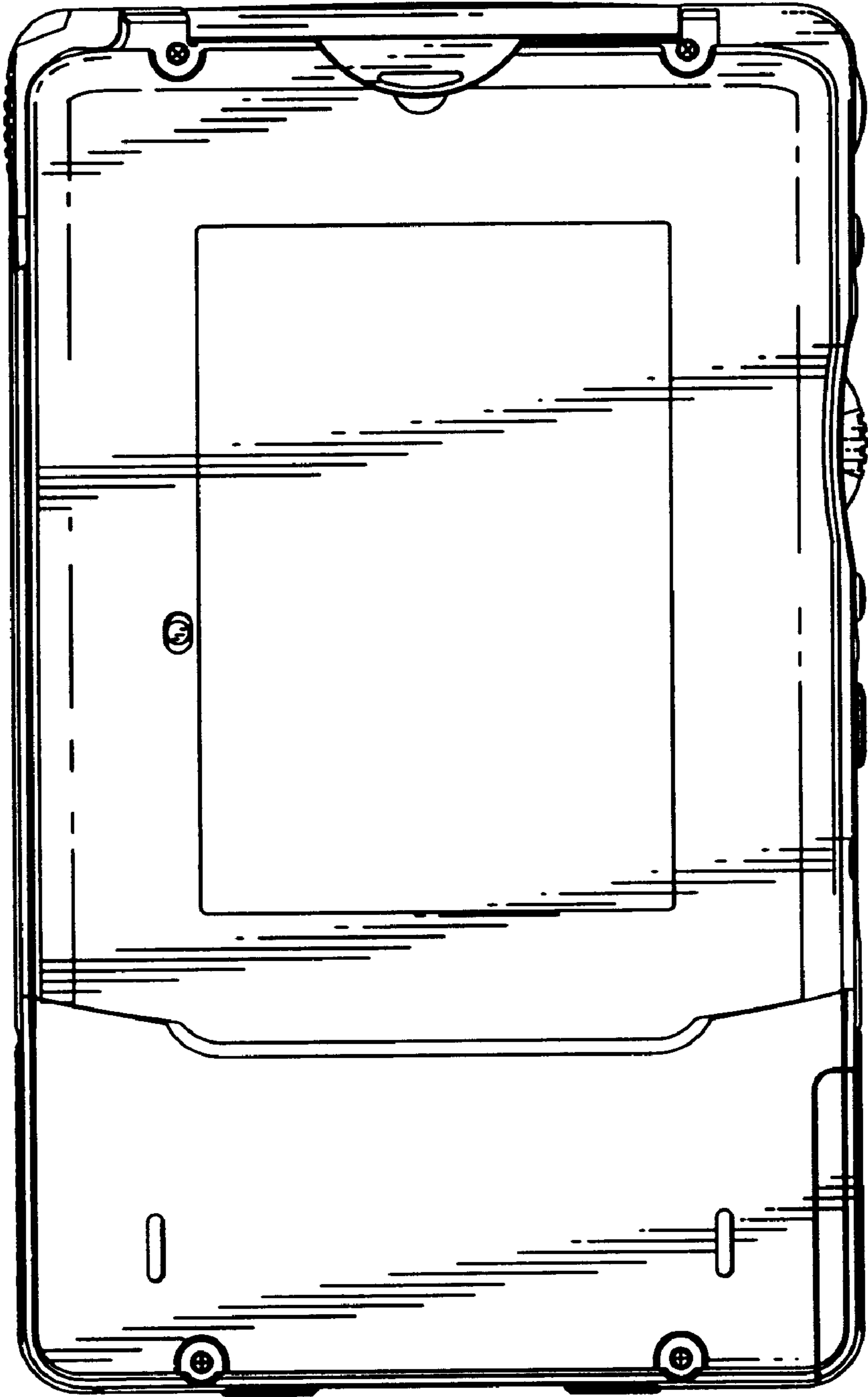


Figure 8