



US00D432094S

# United States Patent [19] Mowery

[11] **Patent Number: Des. 432,094**

[45] **Date of Patent: \*\* Oct. 17, 2000**

[54] **SWITCH DOOR WITH TRANSPARENT WINDOW**

D. 347,825 6/1994 Zarnowitz et al. .... D13/177  
D. 384,322 9/1997 Vanderhoof ..... D12/321  
D. 410,437 6/1999 Mowery ..... D13/177

[75] Inventor: **Daniel L. Mowery**, Gahanna, Ohio

*Primary Examiner*—Brian N. Vinson  
*Attorney, Agent, or Firm*—Ira Lee Zebrak

[73] Assignee: **Siemens Energy & Automation, Inc.**, Alpharetta, Ga.

[57] **CLAIM**

[\*\*] Term: **14 Years**

The ornamental design for a switch door with transparent window, as shown and described.

[21] Appl. No.: **29/111,517**

**DESCRIPTION**

[22] Filed: **Sep. 29, 1999**

FIG. 1 A perspective view of the switch door with transparent window of the present invention;  
FIG. 2 A front view;  
FIG. 3 A rear view;  
FIG. 4 A right side view;  
FIG. 5 A left side view;  
FIG. 6 A top view; and,  
FIG. 7 A bottom view of the switch door with transparent window.

[51] **LOC (7) Cl.** ..... **13-03**

[52] **U.S. Cl.** ..... **D13/177**

[58] **Field of Search** ..... D13/177, 199,  
D13/158, 173; 200/237, 293, 294, 296,  
297, 333

[56] **References Cited**

**U.S. PATENT DOCUMENTS**

D. 318,652 7/1991 Buchanan ..... D13/160

**1 Claim, 3 Drawing Sheets**

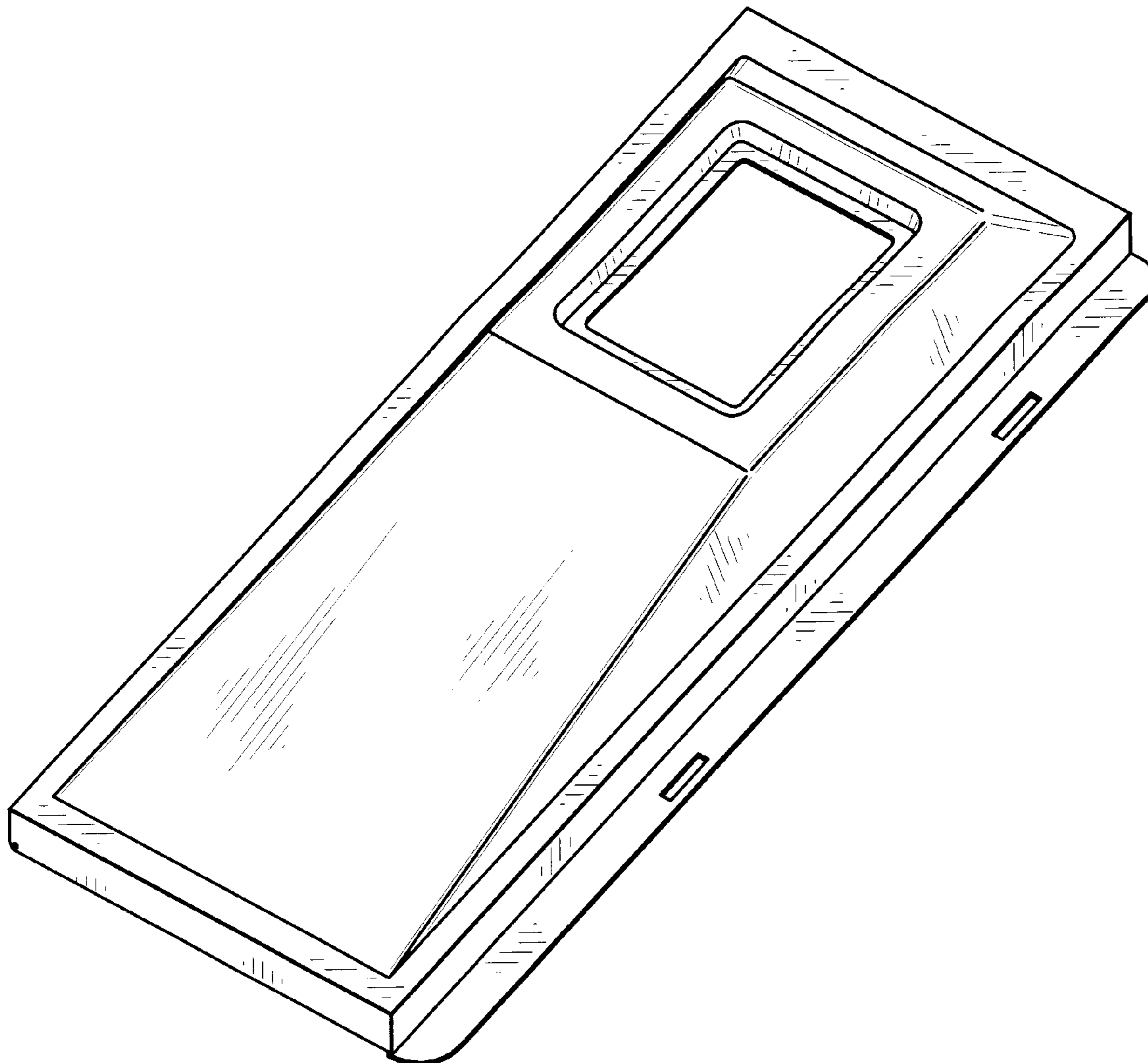


FIG. 1

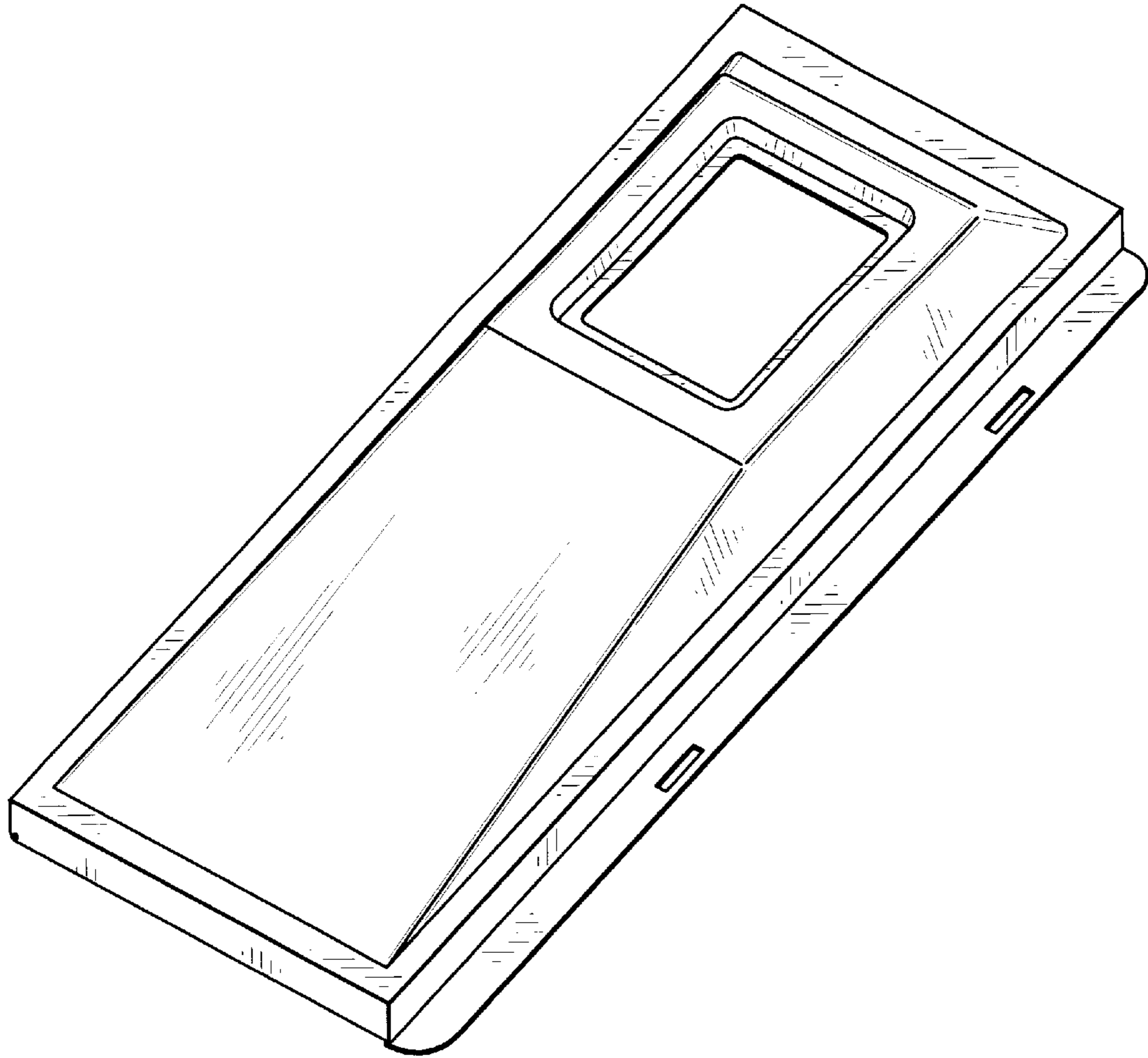


FIG. 2

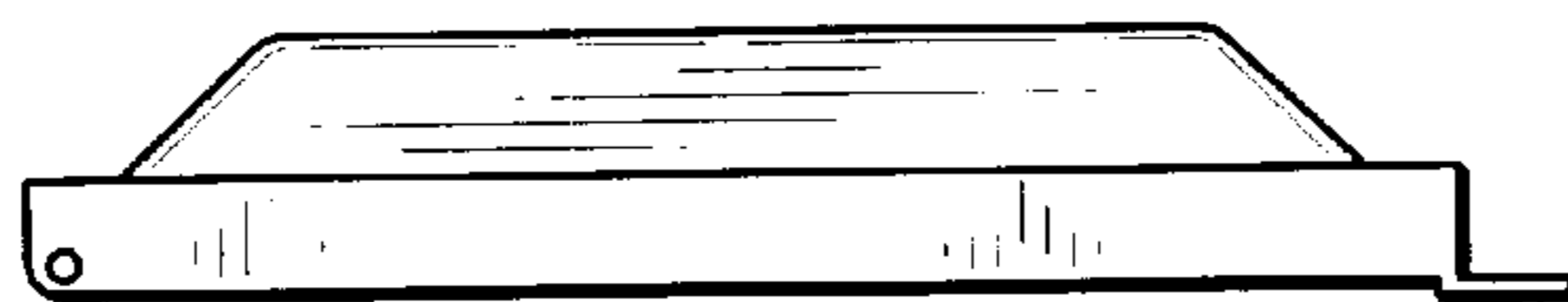
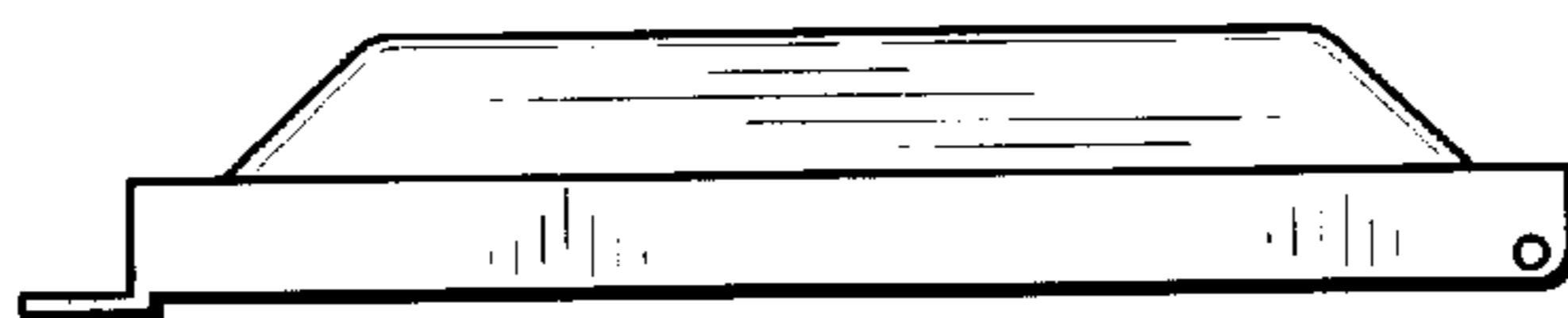


FIG. 3



*FIG. 4*



*FIG. 5*

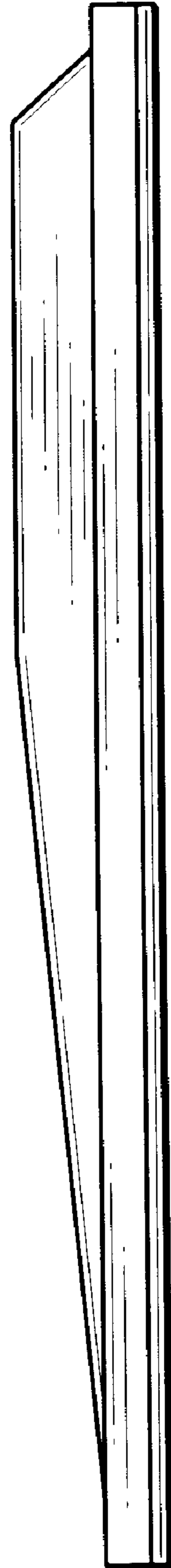


FIG. 7

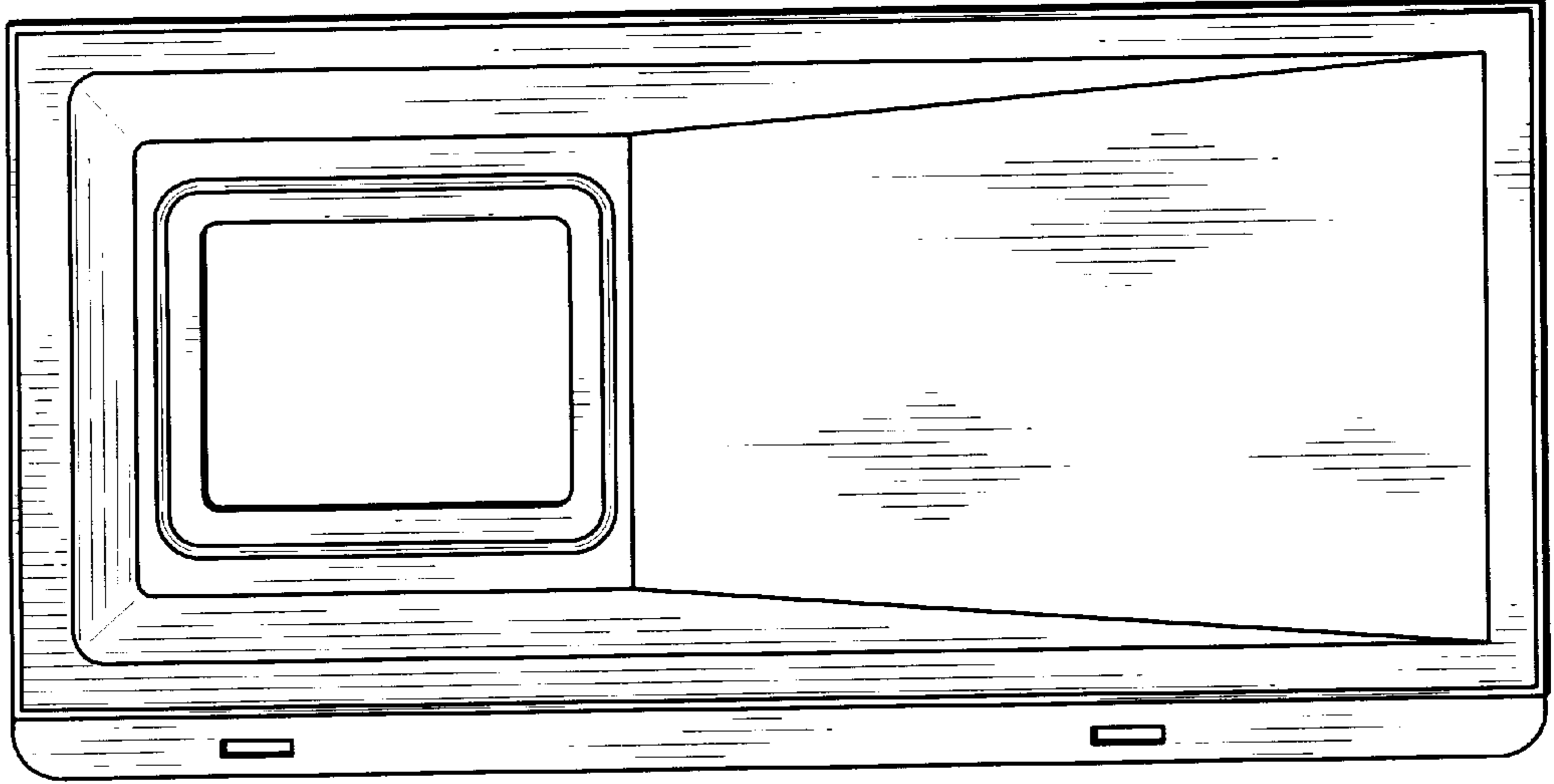


FIG. 6

