



US00D432093S

**United States Patent** [19]  
**Stout**

[11] **Patent Number: Des. 432,093**  
[45] **Date of Patent: \*\* Oct. 17, 2000**

[54] **DOOR CONFIGURATION FOR A COMMUNICATIONS ACTIVATION ASSEMBLY**

4,864,078 9/1989 Bowman .  
5,023,396 6/1991 Bartee et al. .  
5,030,795 7/1991 Domigan .  
5,195,288 3/1993 Penczak .

[75] Inventor: **Joseph Brendan Stout**, Vienna, W. Va.

**OTHER PUBLICATIONS**

[73] Assignee: **Walker Systems, Inc.**, Williamstown, W. Va.

“Walkerduct® Infloor Duct and Accessories”, © 1996 The Wiremold Company.

[\*\*] Term: **14 Years**

“Rectangular Nonmetallic Floor Boxes”, Copyright 1999, The Wiremold Company.

[21] Appl. No.: **29/111,051**

“®Walkerduct Pro Series Service Fittings”, Copyright 1999, The Wiremold Company.

[22] Filed: **Sep. 17, 1999**

Combination Cover & Carpet Flange, Including Floor Box Products, Copyright 1993, Hubbell Incorporated.

[51] **LOC (7) Cl. .... 13-03**

[52] **U.S. Cl. .... D13/177**

[58] **Field of Search .... D14/114, 117; D13/147, 163, 162, 177; 174/48, 49, 66, 55, 67; 220/3.2, 3.3, 3.8, 241, 242**

*Primary Examiner*—M. H. Tung  
*Attorney, Agent, or Firm*—McAndrews, Held & Malloy, Ltd.

[57] **CLAIM**

[56] **References Cited**

The ornamental design for the door configuration for a communications activation assembly, as shown and described.

**U.S. PATENT DOCUMENTS**

**DESCRIPTION**

- D. 322,604 12/1991 Komatsu ..... D14/114
- D. 325,559 4/1992 Rosenbaum et al. .
- D. 350,530 9/1994 Comerci et al. .
- D. 360,352 7/1995 House et al. .
- D. 364,398 11/1995 Lam ..... D14/114
- D. 364,399 11/1995 Long ..... D14/114
- D. 385,853 11/1997 Dow et al. .
- D. 412,491 8/1999 Mayo et al. .
- D. 422,567 4/2000 Mayo et al. .
- 4,041,238 8/1977 Penczak .
- 4,499,332 2/1985 Shea et al. .
- 4,591,636 5/1986 Mohr .
- 4,800,237 1/1989 Mohr .

FIG. 1 is a top perspective view of a door configuration for a communications activation assembly showing my new design; and,

FIG. 2 is a top plan view thereof.

The broken line drawing of a communications activation assembly in both views is for illustrative purposes only and forms no part of the claimed design.

**1 Claim, 1 Drawing Sheet**

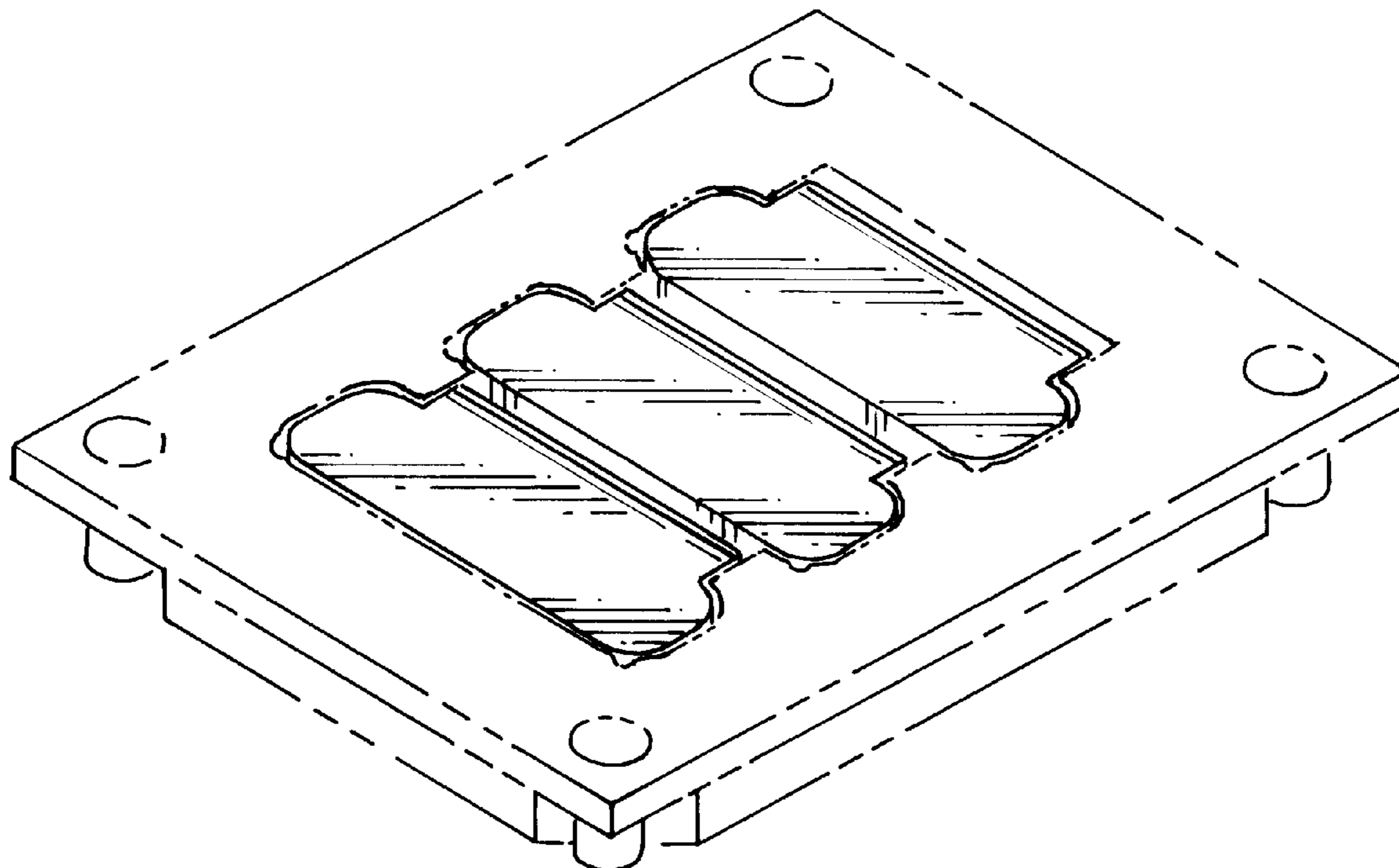


FIG. 1

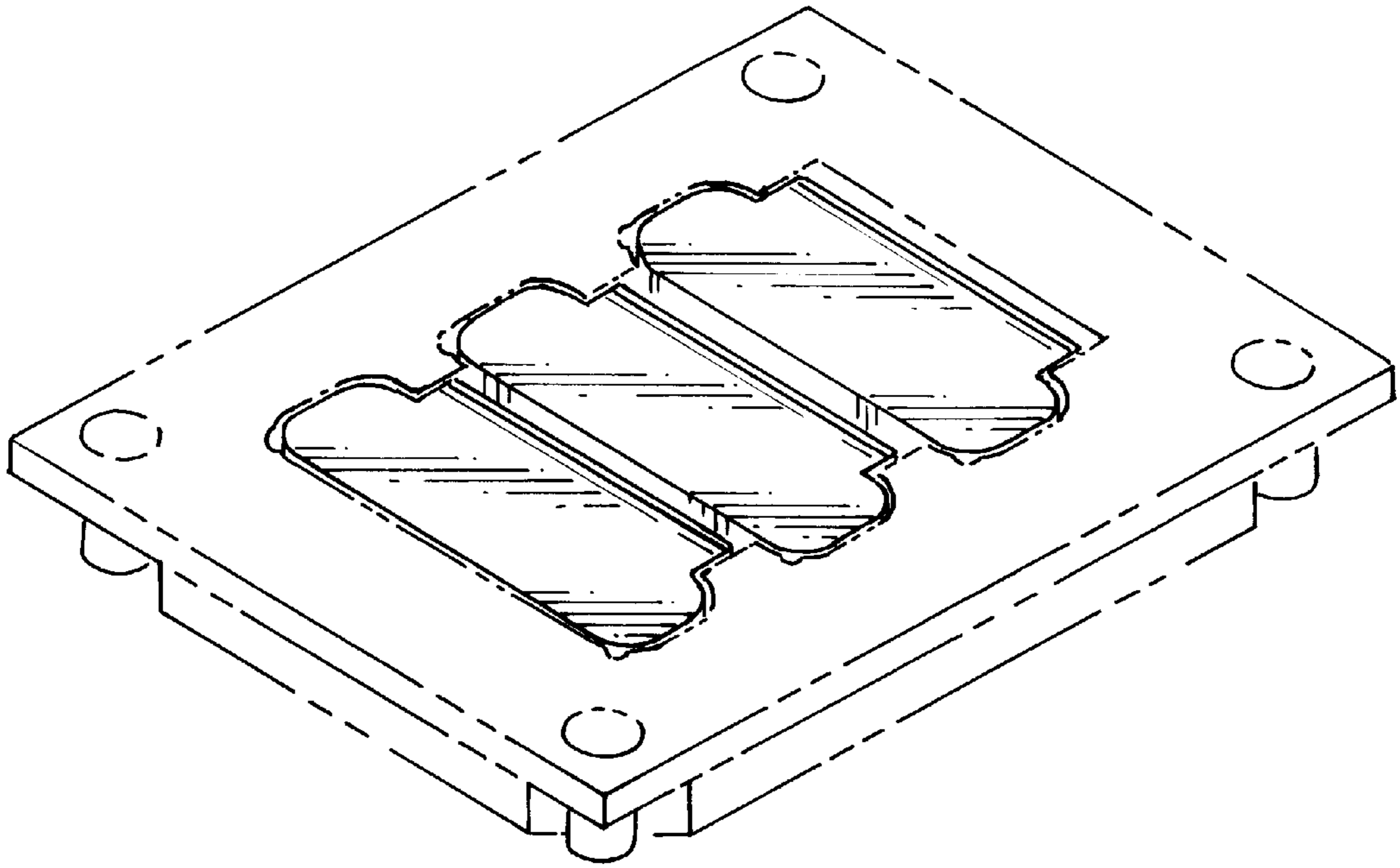


FIG. 2

