



US00D432092S

United States Patent [19]

Stebleton et al.

[11] Patent Number: Des. 432,092

[45] Date of Patent: ** Oct. 17, 2000

[54] CANISTER FOR WIRING HARNESS

5,886,300 3/1999 Strickler 174/135

[76] Inventors: Melvin R. Stebleton; Lorene M. Stebleton, both of 4041 Elida Rd., Lima, Ohio 45807

Primary Examiner—Joel Sincavage

[**] Term: 14 Years

[57] CLAIM

[21] Appl. No.: 29/086,998

The ornamental design for a canister for wiring harness, as shown and described.

[22] Filed: Apr. 24, 1998

DESCRIPTION

[51] LOC (7) Cl. 13-03

[52] U.S. Cl. D13/156; D13/154

[58] Field of Search D13/156, 184, D13/154; 174/73.1, 92, 93, 135, 138 F

FIG. 1 is a perspective view of a canister for wiring harness showing our new design; FIG. 2 is a left side elevational view thereof, the opposite side being a mirror image; FIG. 3 is a front elevational view thereof; FIG. 4 is a rear elevational view thereof; FIG. 5 is a top plan view thereof; FIG. 6 is a bottom plan view thereof; and, FIG. 7 is a perspective view thereof, shown closed, with wiring running there-through.

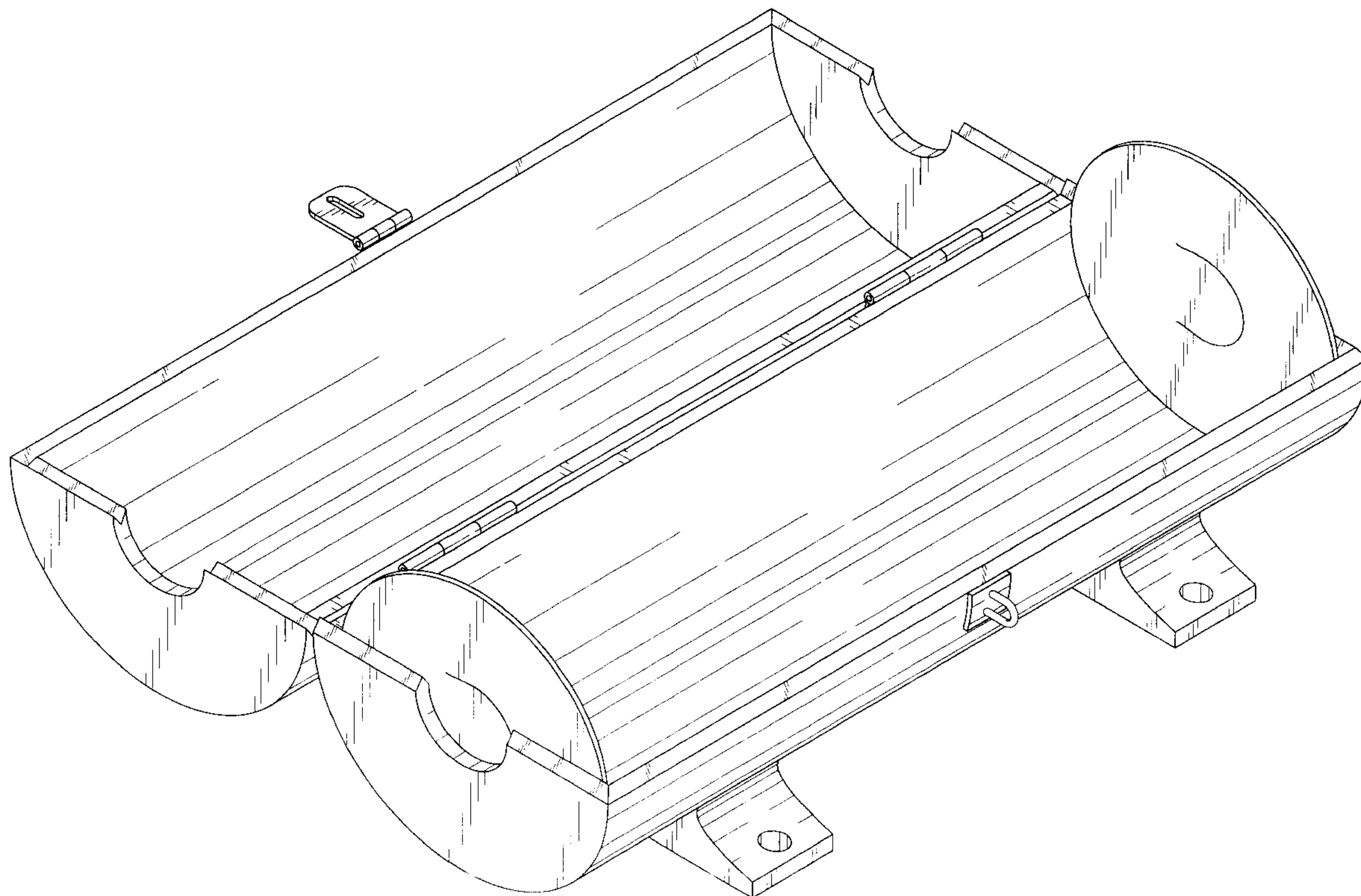
[56] References Cited

U.S. PATENT DOCUMENTS

4,135,587	1/1979	Diaz	174/92
5,214,248	5/1993	Jamison	174/92
5,561,268	10/1996	Dagan et al.	174/92
5,606,150	2/1997	Radliff et al.	174/92
5,684,274	11/1997	McLeod	174/92
5,696,351	12/1997	Benn et al.	174/92

The broken line illustration shows environmental structure and forms no part of the claimed invention. Undisclosed surfaces are plain and unornamented.

1 Claim, 7 Drawing Sheets



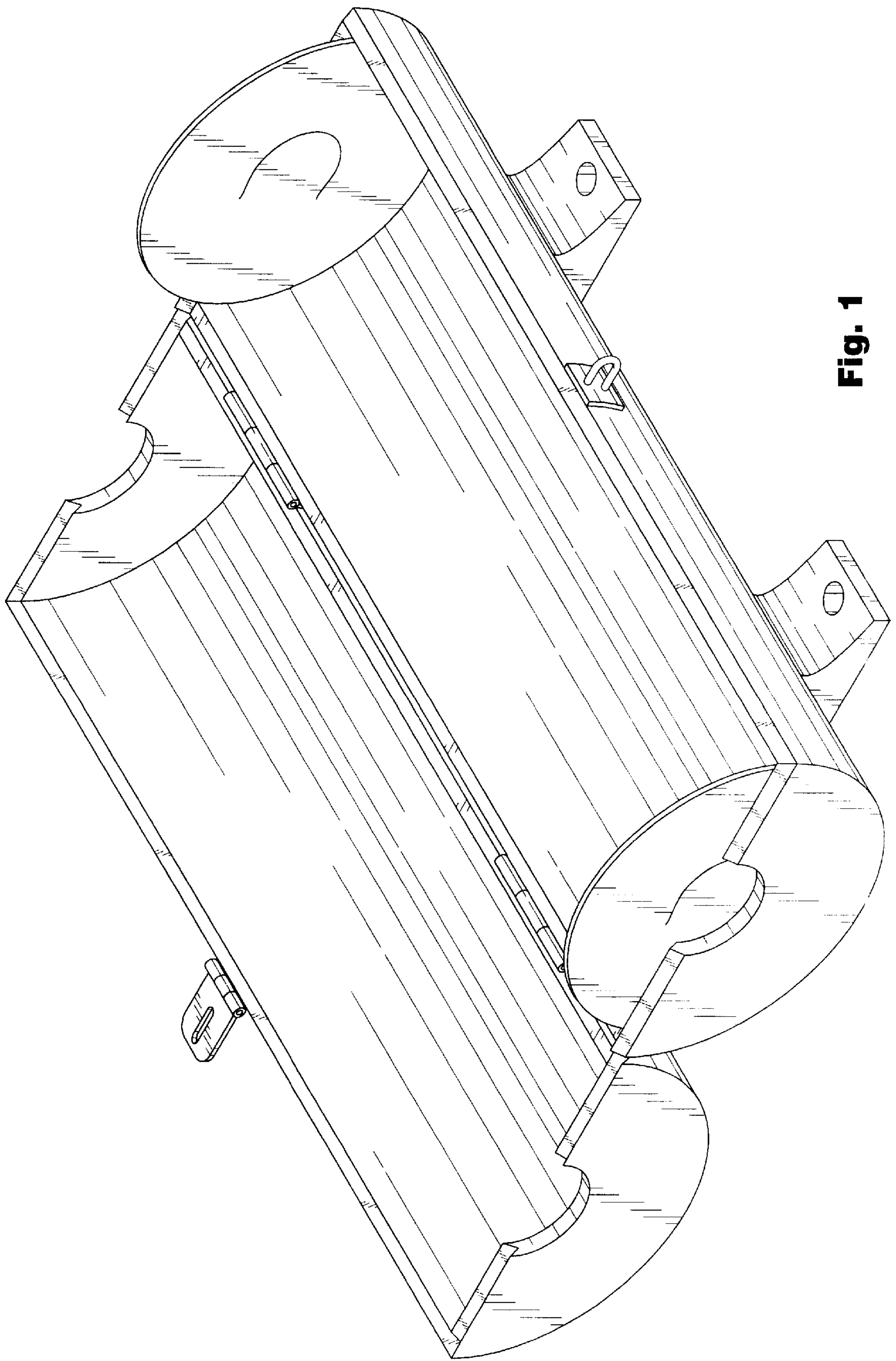


Fig. 1

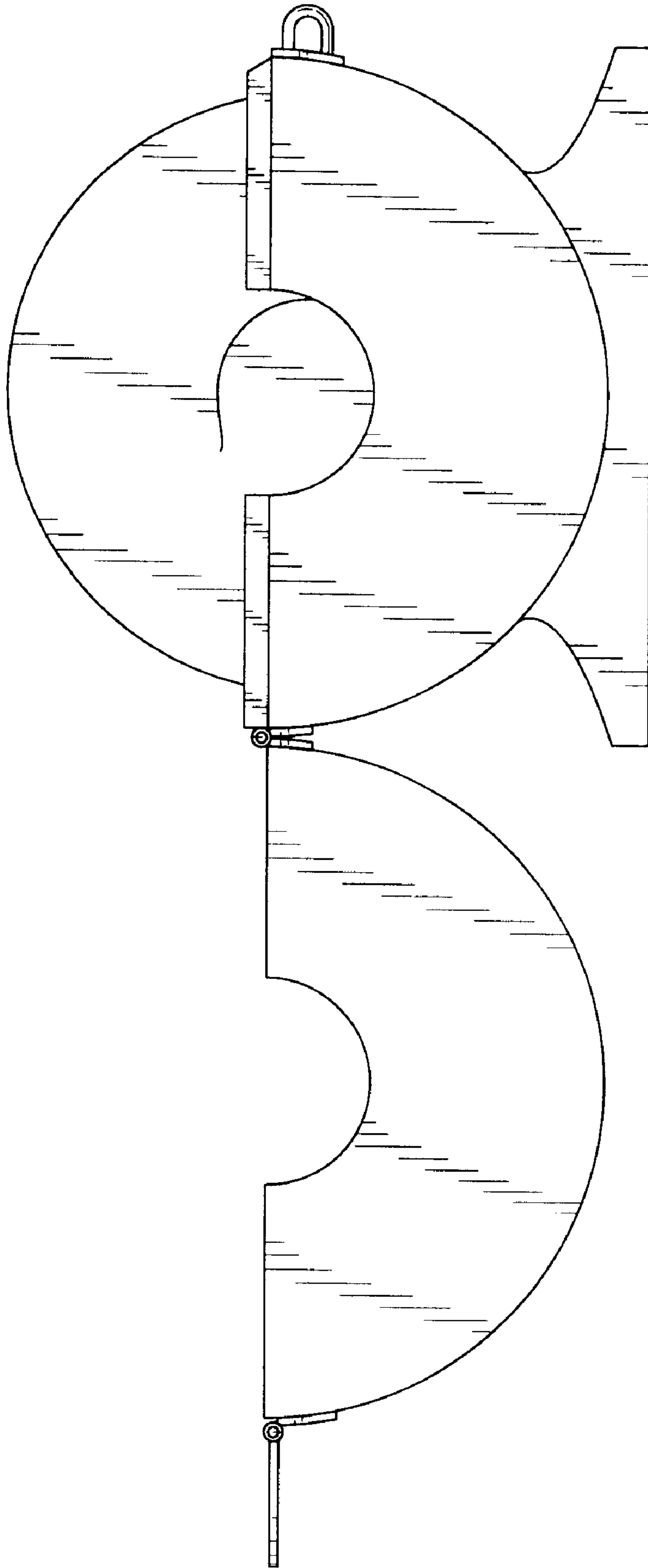


Fig. 2

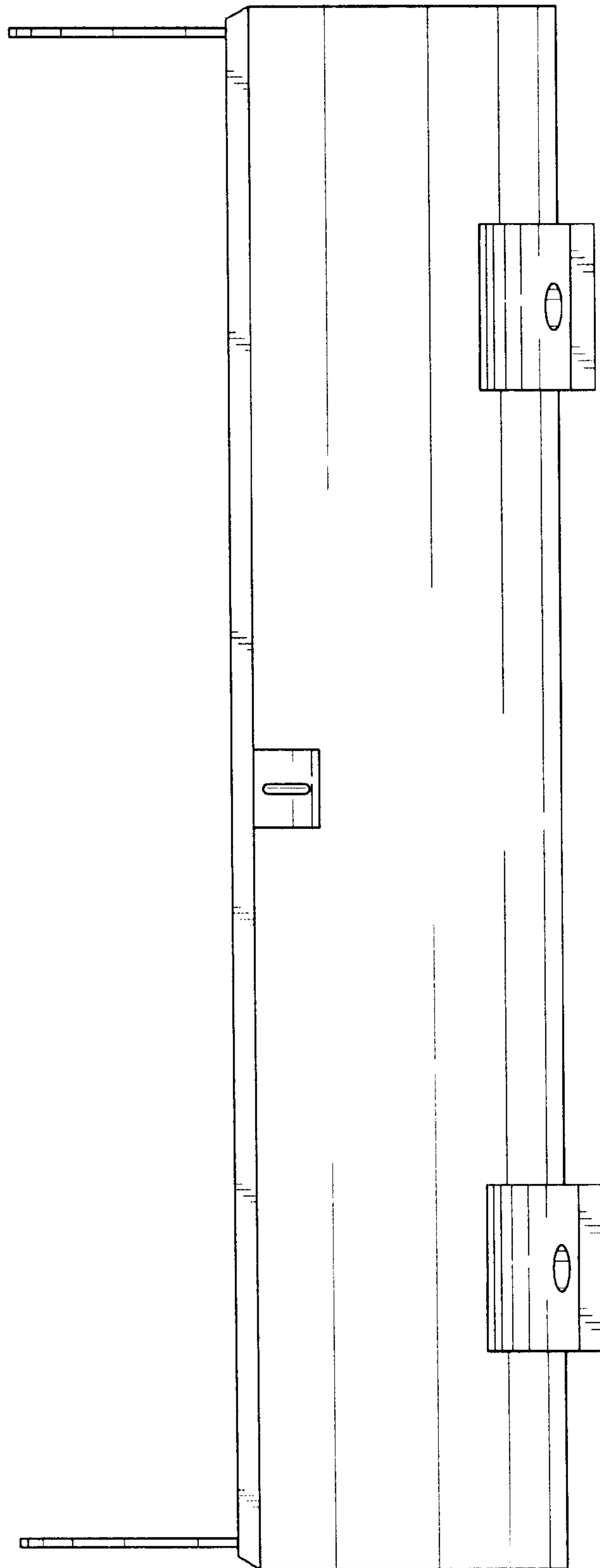


Fig. 3

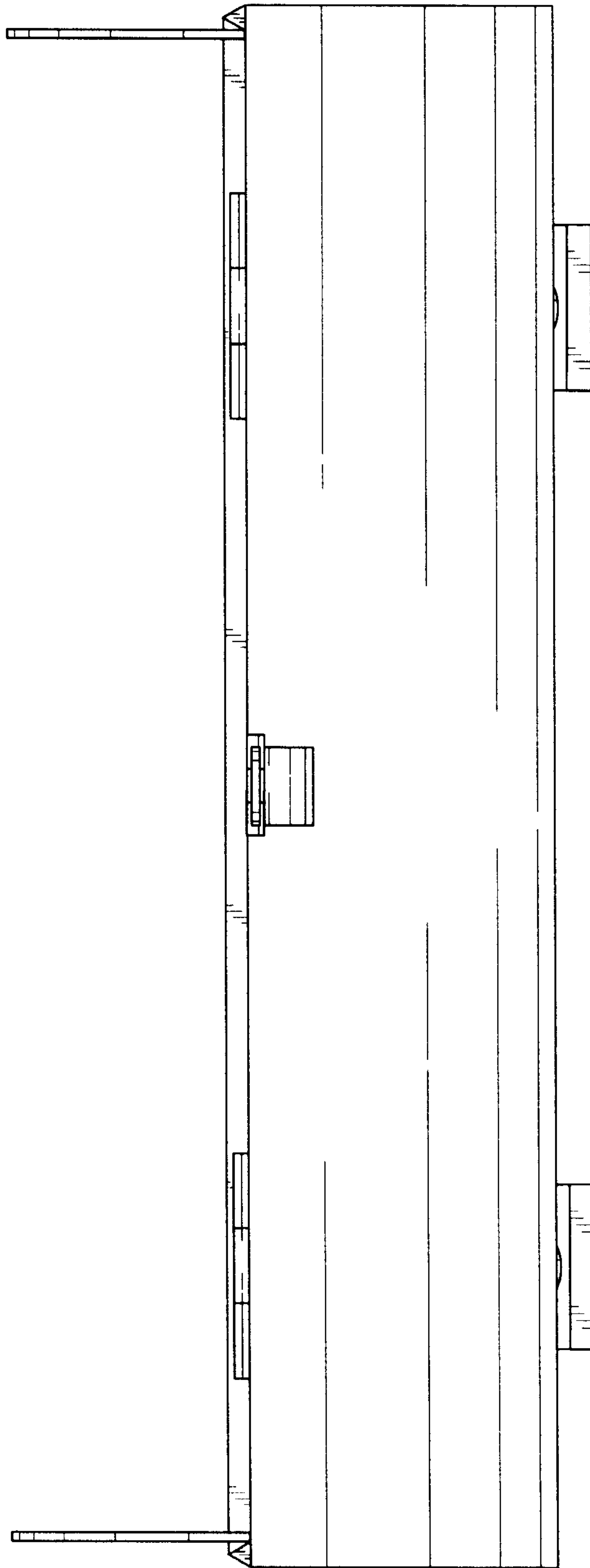


Fig. 4

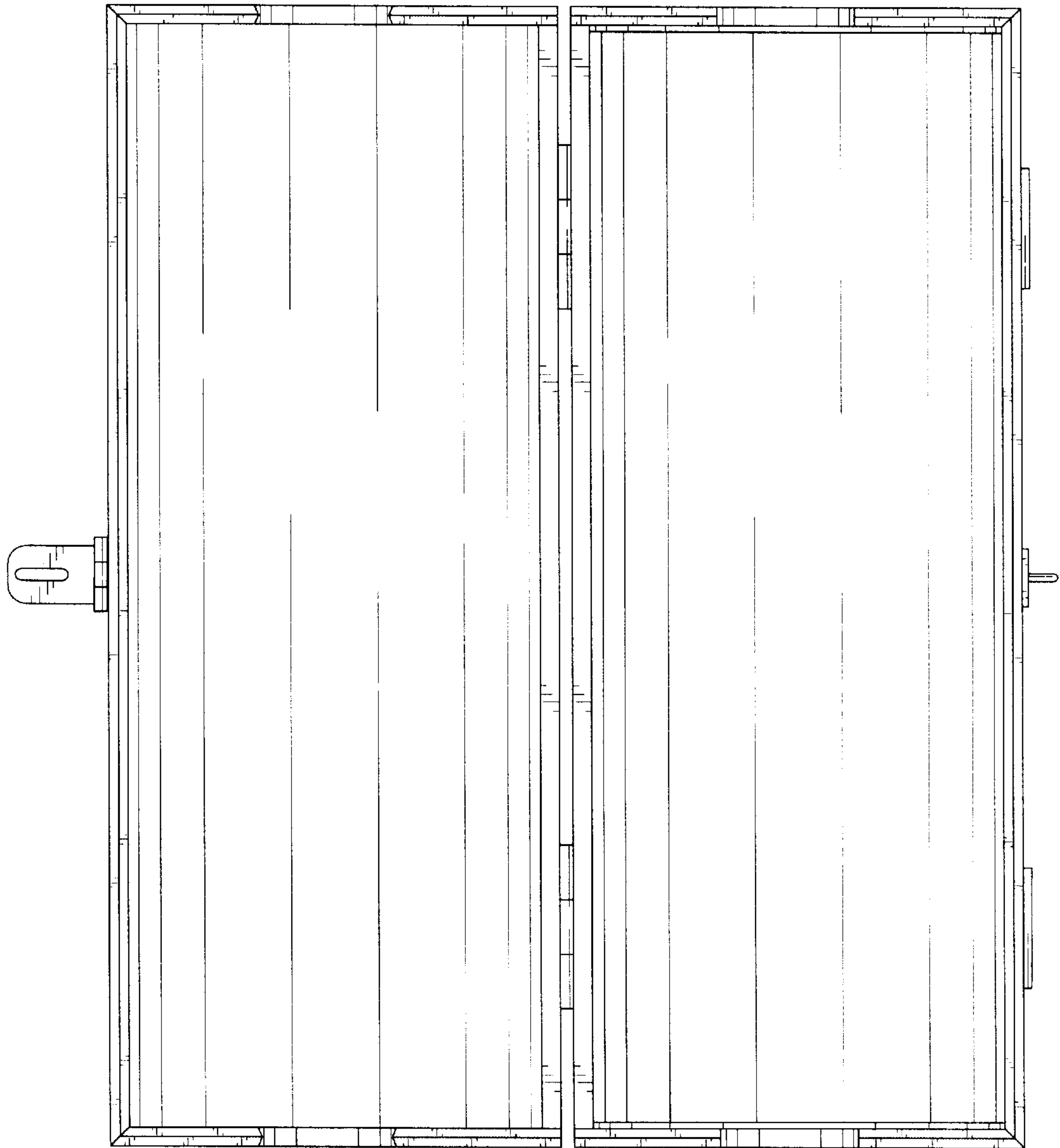


Fig. 5

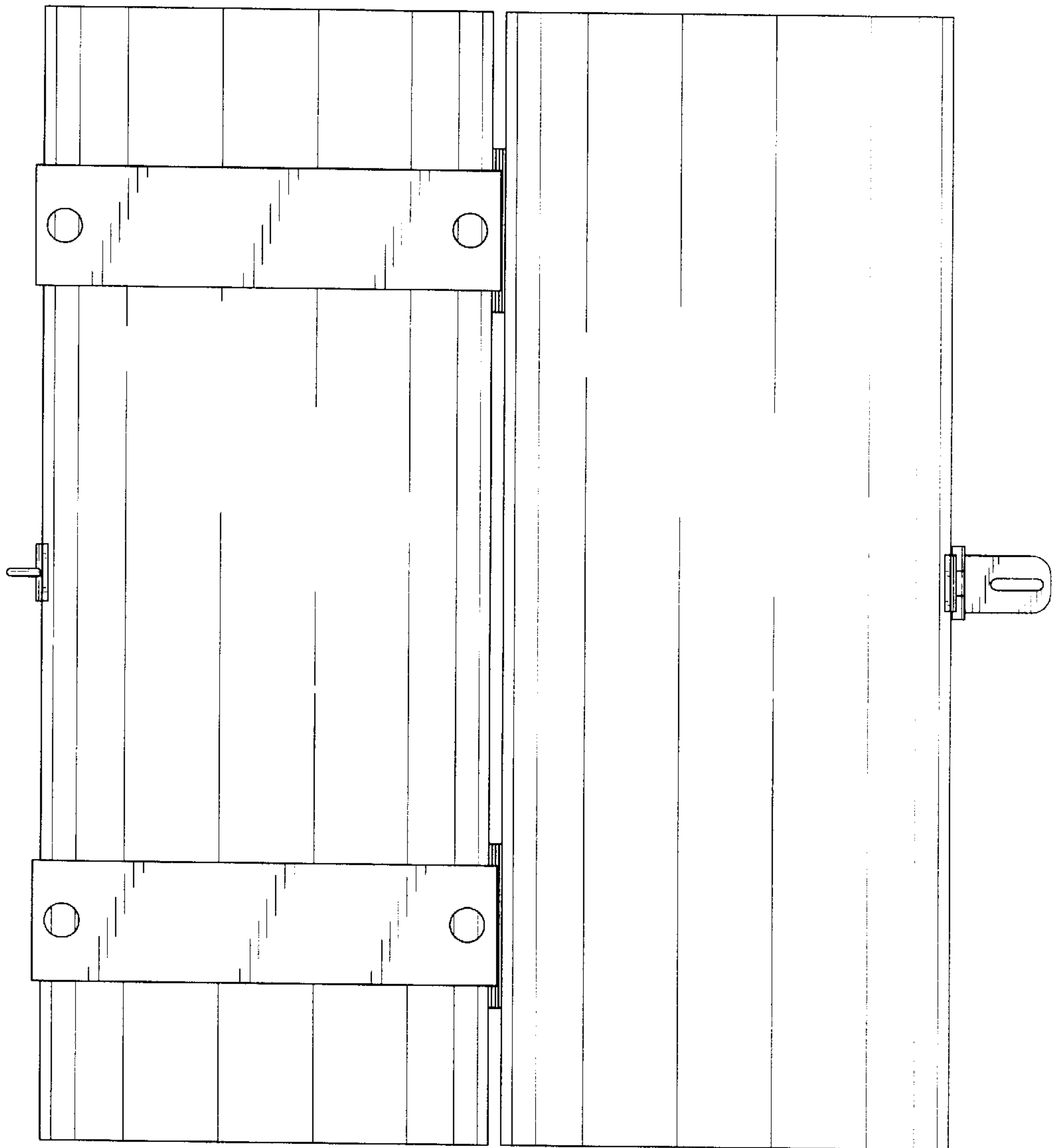


Fig. 6

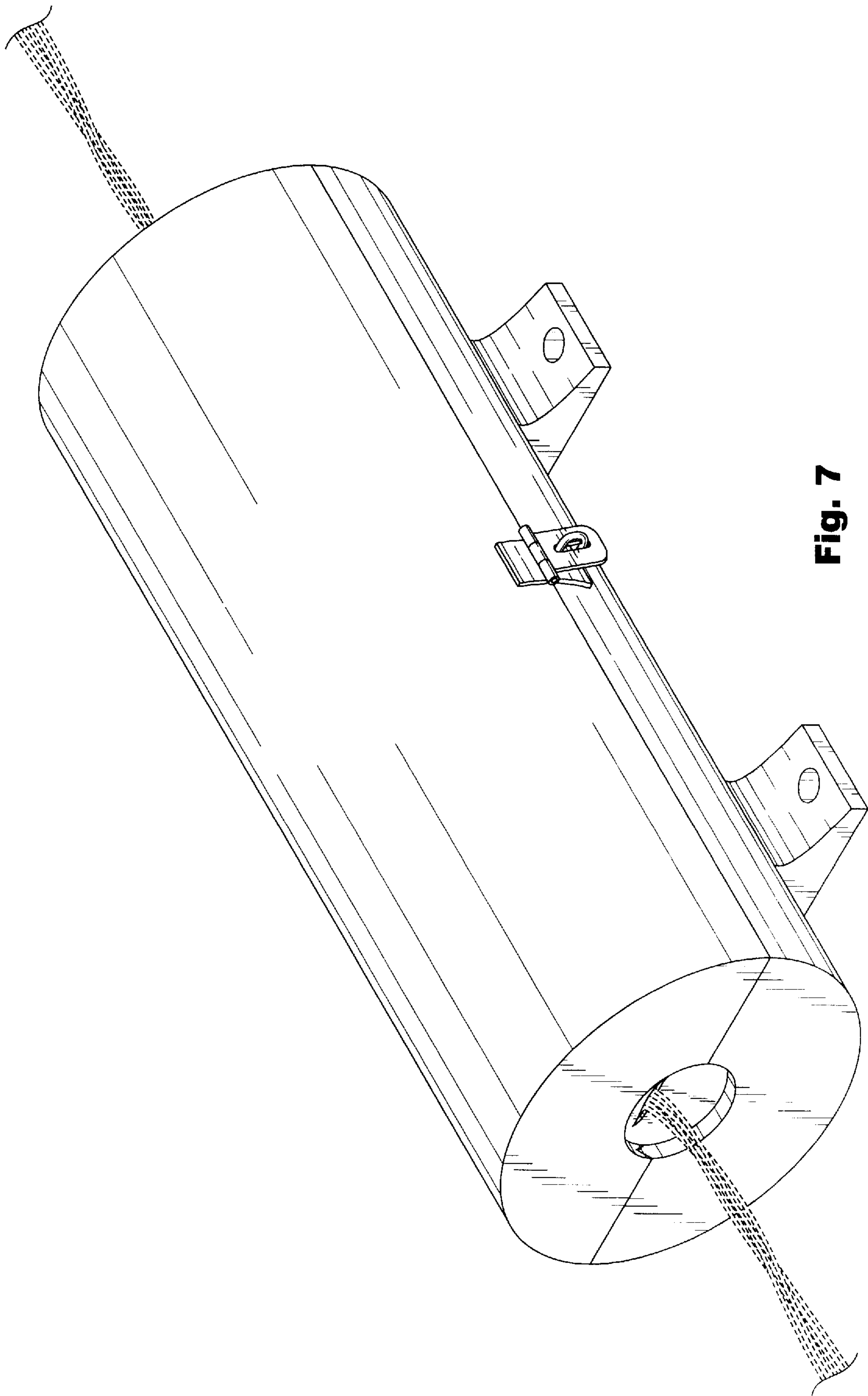


Fig. 7