



US00D432089S

**United States Patent** [19]  
**Malak**

[11] **Patent Number: Des. 432,089**

[45] **Date of Patent: \*\* Oct. 17, 2000**

[54] **FILTER NUT FOR A HIGH-PASS FILTER ASSEMBLY**

5,965,847 10/1999 Tanaka et al. .... 174/84 R  
6,045,564 4/2000 Walen ..... 606/167

[75] Inventor: **Stephen P. Malak**, Manlius, N.Y.

*Primary Examiner*—Joel Sincavage  
*Attorney, Agent, or Firm*—Duane Morris & Heckscher LLP

[73] Assignee: **John Mezzalingua Associates, Inc.**,  
East Syracuse, N.Y.

[57] **CLAIM**

[\*\*] Term: **14 Years**

The ornamental design for a filter nut for a high-pass filter assembly, as shown and described.

[21] Appl. No.: **29/115,773**

**DESCRIPTION**

[22] Filed: **Dec. 20, 1999**

FIG. 1 is a front isometric view of a filter nut for a high-pass filter assembly showing my new design in solid lines, with the broken lines showing environmental features that form no part of the claimed design;

[51] **LOC (7) Cl.** ..... **13-03**

[52] **U.S. Cl.** ..... **D13/154**

[58] **Field of Search** ..... D13/151, 154;  
D23/262; 333/185; 439/578, 583, 584

FIG. 2 is a rear isometric view thereof;

FIG. 3 is a front isometric view of the filter nut shown in FIG. 1;

[56] **References Cited**

**U.S. PATENT DOCUMENTS**

2,822,418 2/1958 Dinnick ..... 439/578 X  
4,307,926 12/1981 Smith ..... 439/610  
5,181,861 1/1993 Gaver, Jr. et al. .... 439/578

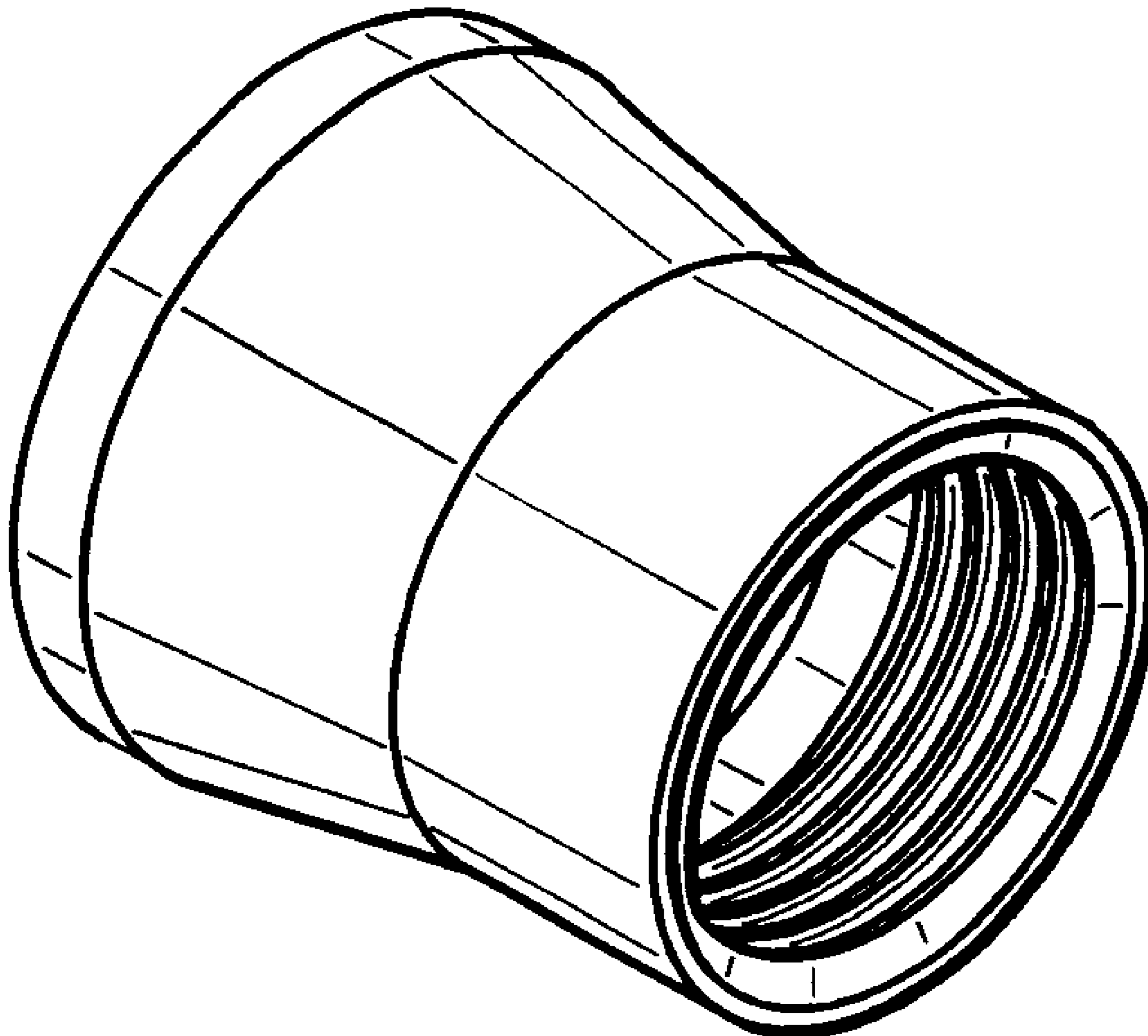
FIG. 4 is a rear isometric view thereof;

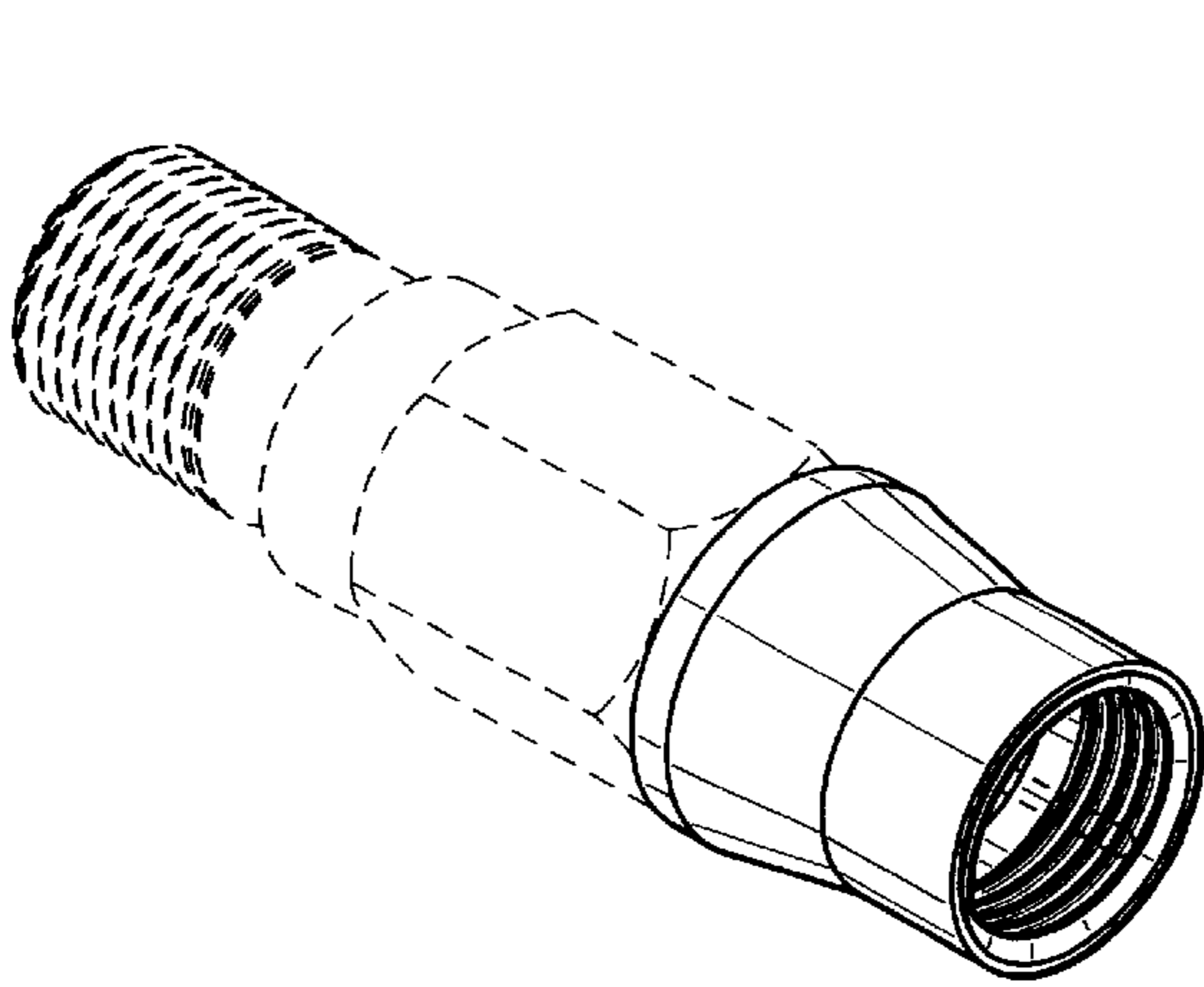
FIG. 5 is a bottom plan view thereof

FIG. 6 is a side elevational view thereof; and,

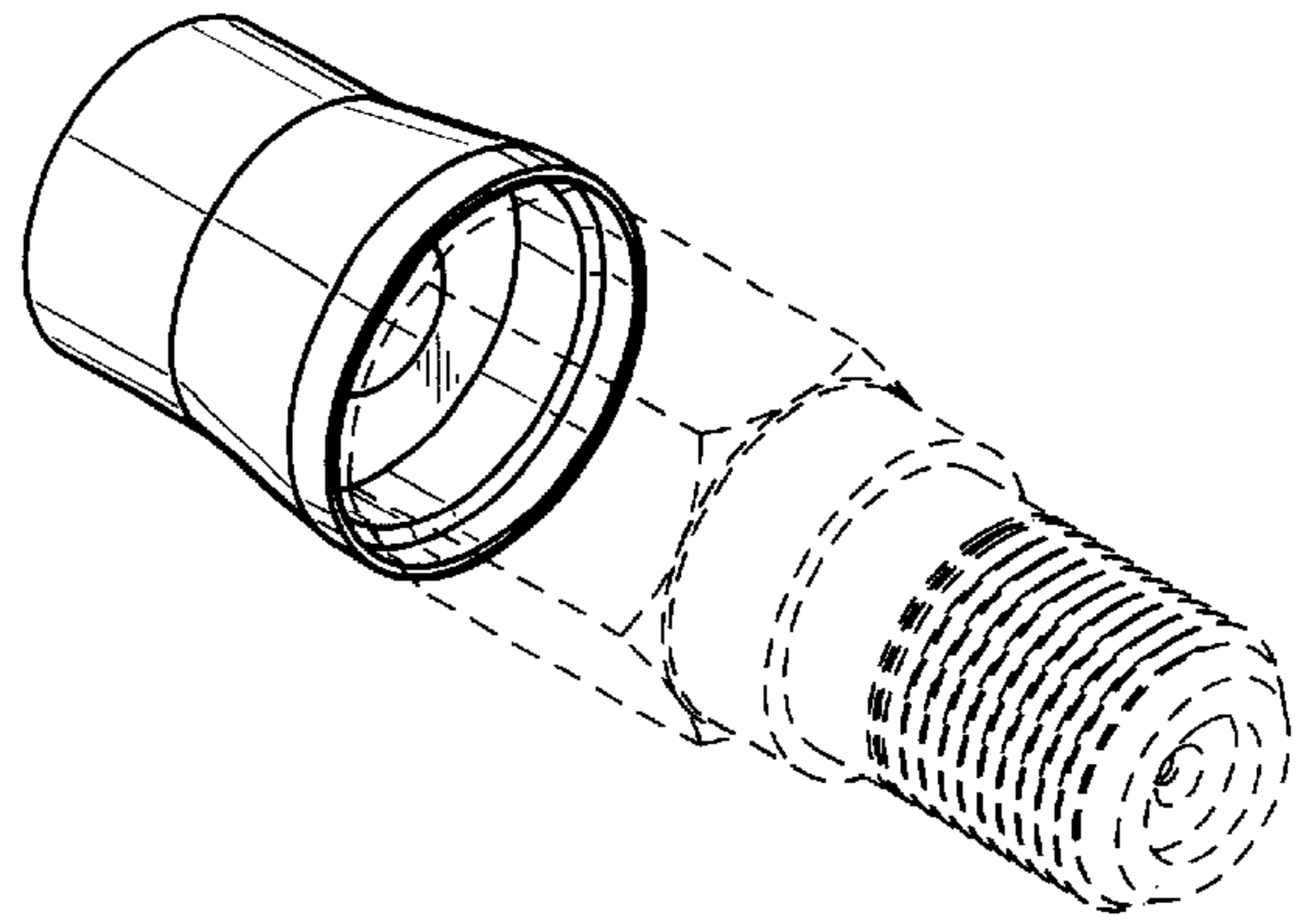
FIG. 7 is a top plan view thereof.

**1 Claim, 1 Drawing Sheet**

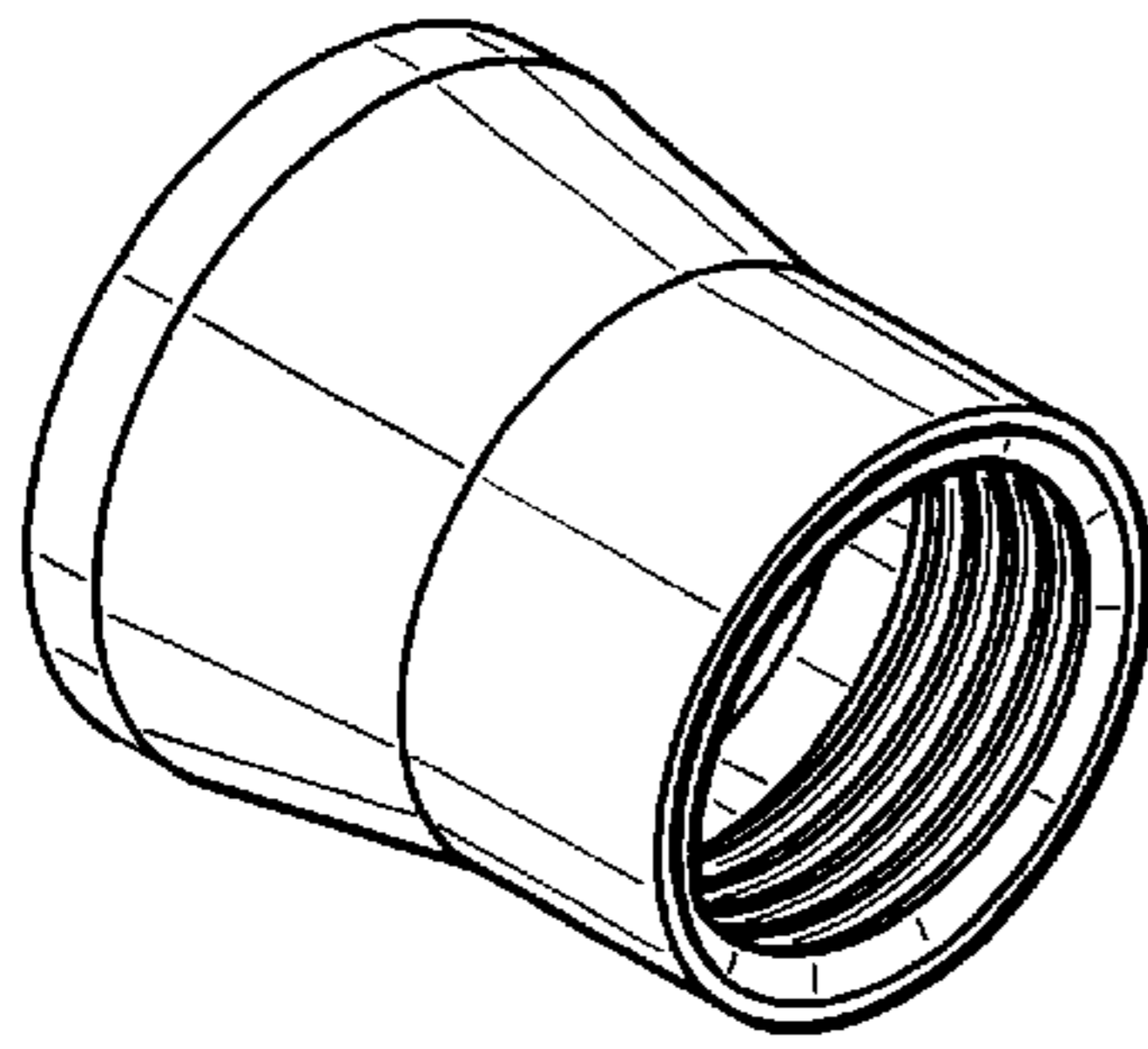




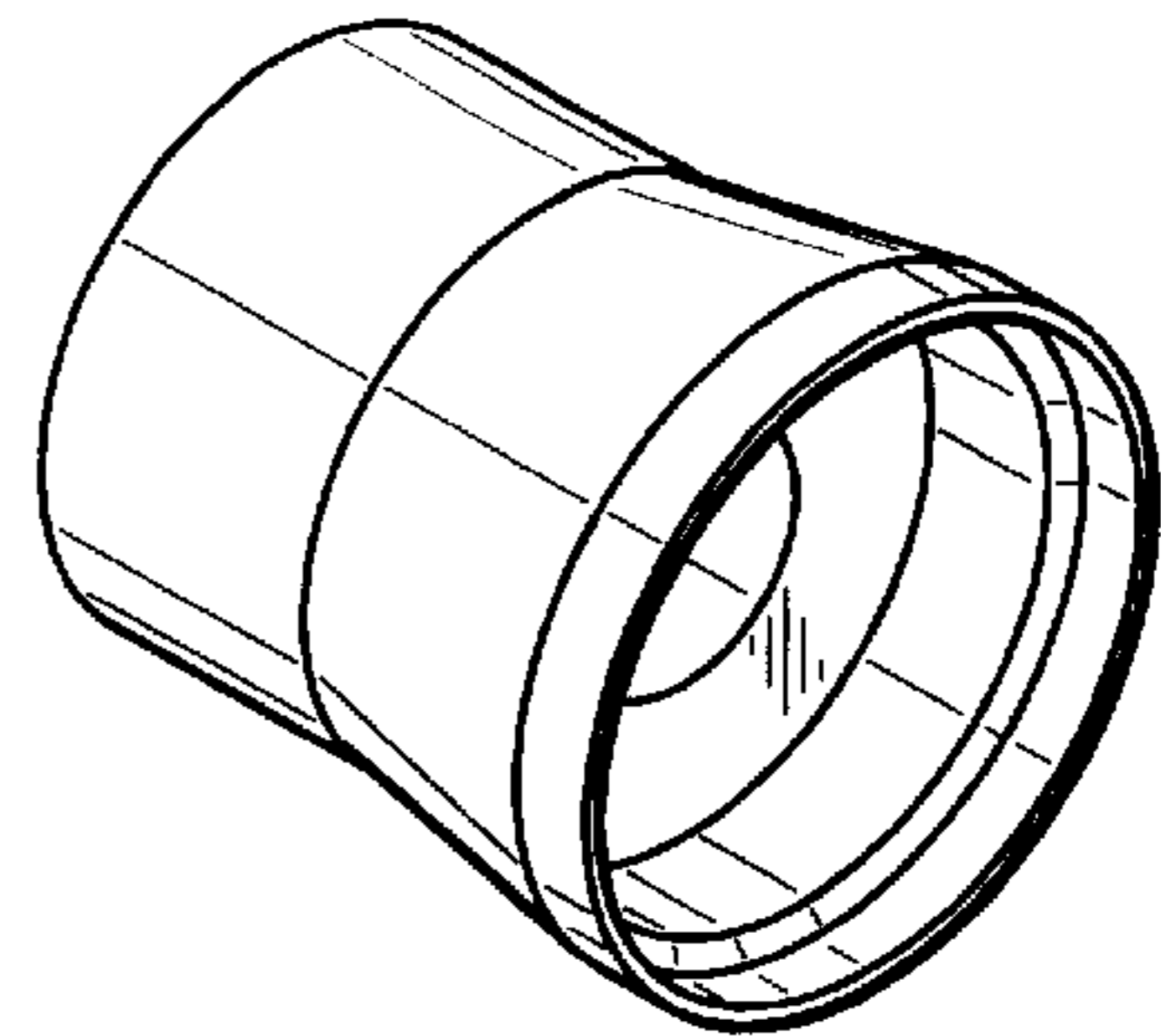
**FIG. 1**



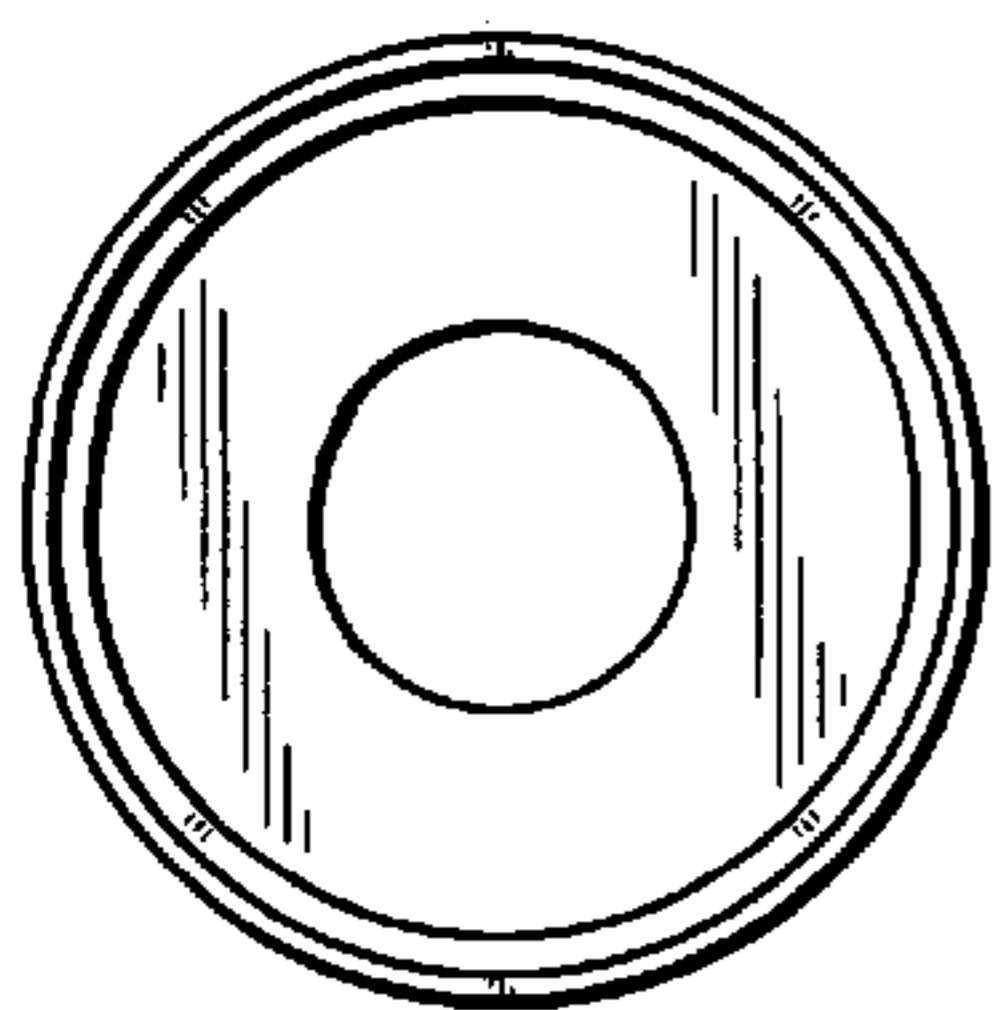
**FIG. 2**



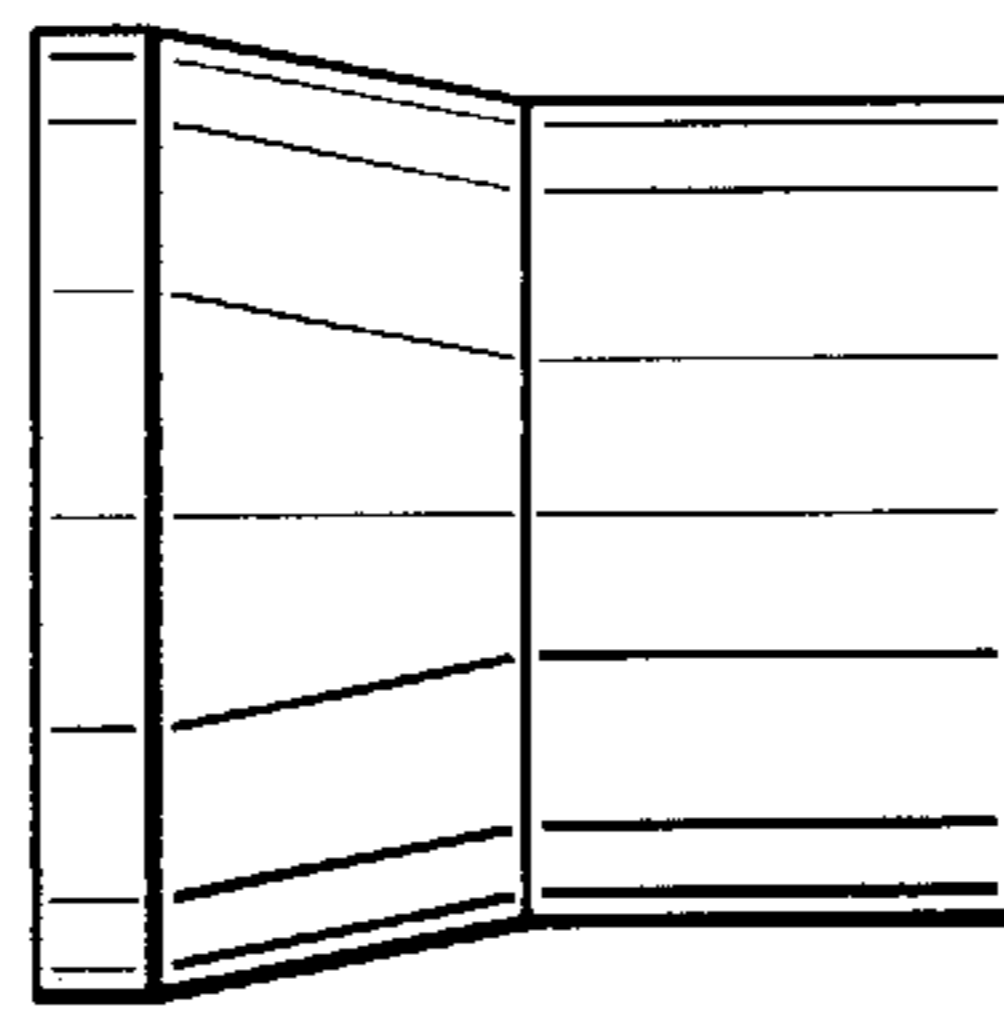
**FIG. 3**



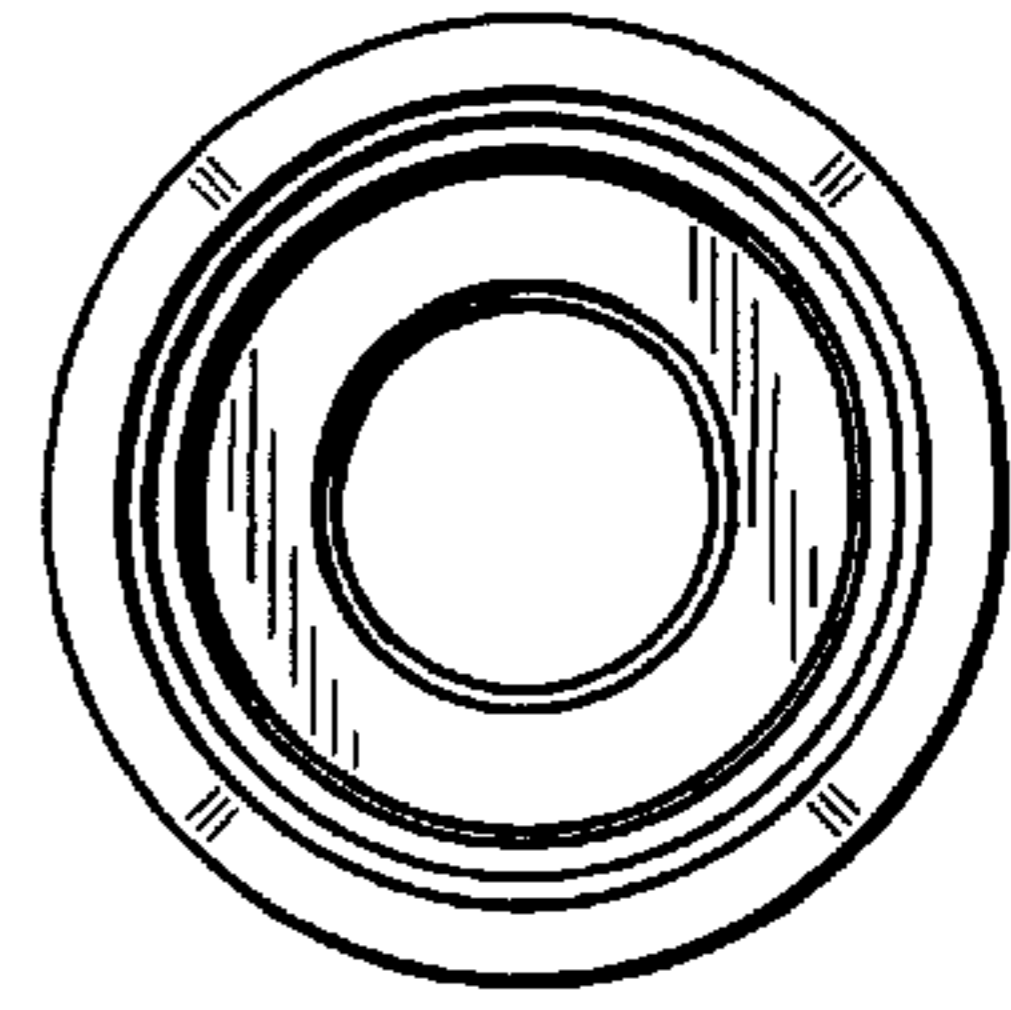
**FIG. 4**



**FIG. 5**



**FIG. 6**



**FIG. 7**