

US00D432087S

United States Patent [19]
Malak

[11] **Patent Number: Des. 432,087**

[45] **Date of Patent: ** Oct. 17, 2000**

[54] **FILTER NUT FOR A HIGH-PASS FILTER ASSEMBLY**

4,249,790 2/1981 Ito et al. 439/583
5,181,861 1/1993 Gaver, Jr. et al. 439/578

[75] Inventor: **Stephen P. Malak**, Manlius, N.Y.

Primary Examiner—Joel Sincavage
Attorney, Agent, or Firm—Duane Morris & Heckscher LLP

[73] Assignee: **John Mezzalingua Associate, Inc.**,
East Suracuse, N.Y.

[57] **CLAIM**

[**] Term: **14 Years**

The ornamental design for a filter nut for a high-pass filter assembly, as shown and described.

[21] Appl. No.: **29/115,768**

DESCRIPTION

[22] Filed: **Dec. 20, 1999**

[51] **LOC (7) Cl.** **13-03**

[52] **U.S. Cl.** **D13/154**

[58] **Field of Search** D13/151, 154;
D23/262; 333/185; 429/578, 583, 584

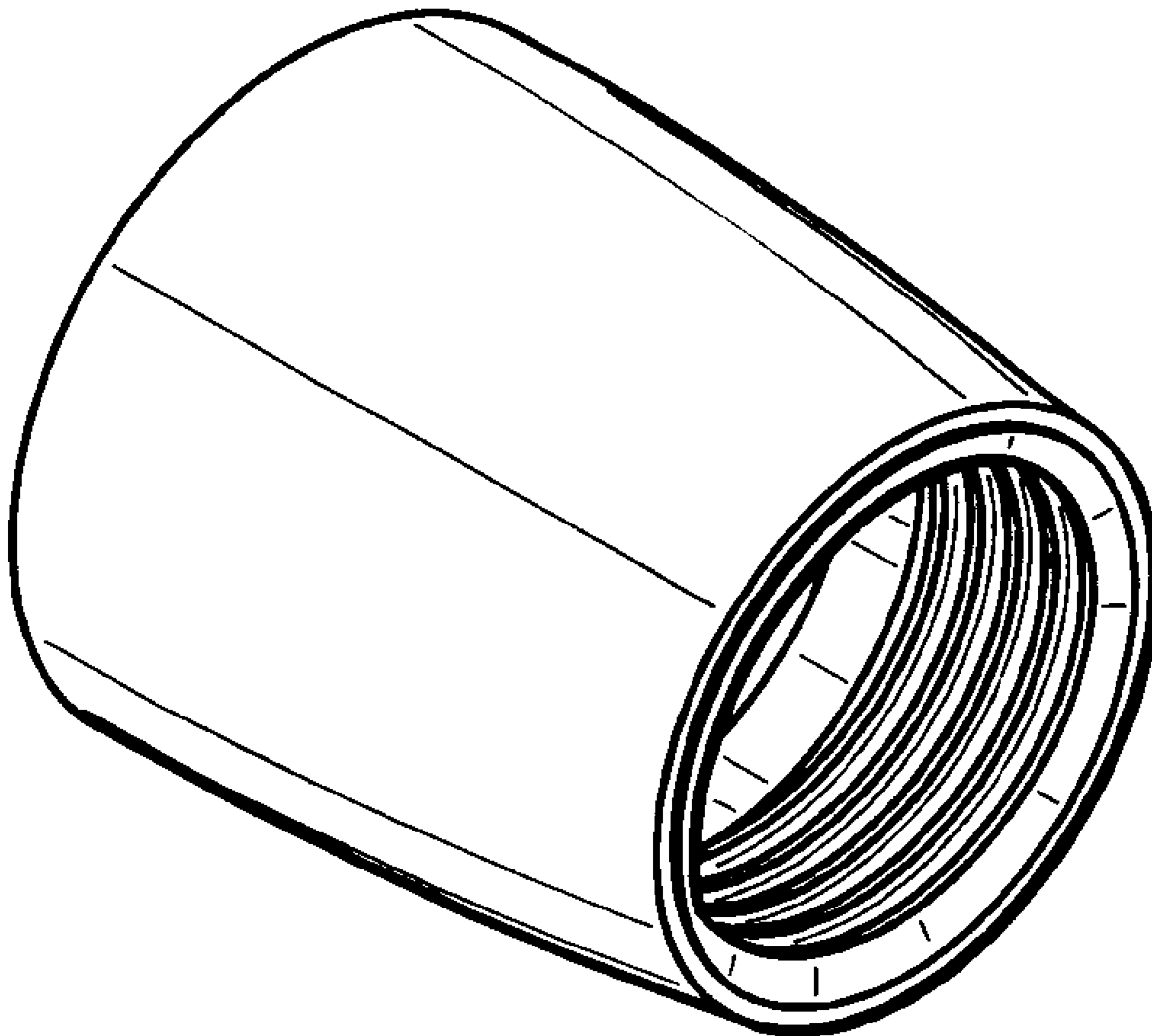
FIG. 1 is a front isometric view of a filter nut for a high-pass filter assembly showing my new design in solid lines, with the broken lines showing environmental features that form no part of the claimed design;
FIG. 2 is a rear isometric view thereof;
FIG. 3 is a front isometric view of the filter nut shown in FIG. 1;
FIG. 4 is a rear isometric view thereof;
FIG. 5 is a bottom plan view thereof
FIG. 6 is a side elevational view thereof; and,
FIG. 7 is a top plan view thereof.

[56] **References Cited**

U.S. PATENT DOCUMENTS

- D. 383,053 9/1997 Schrader et al. D8/382
- D. 383,378 9/1997 Schrader et al. D8/382
- D. 405,056 2/1999 Lee D13/154

1 Claim, 1 Drawing Sheet



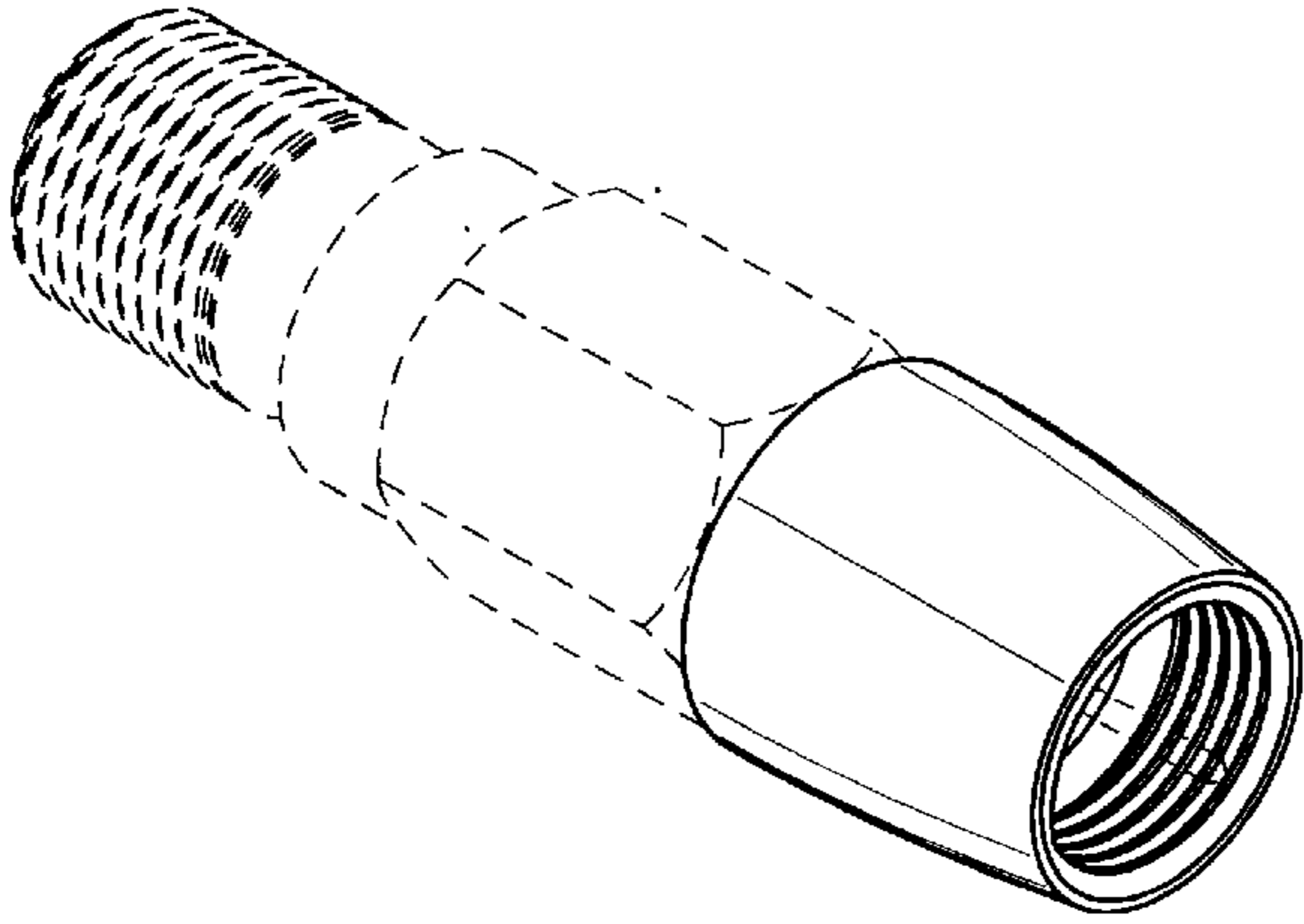


FIG. 1

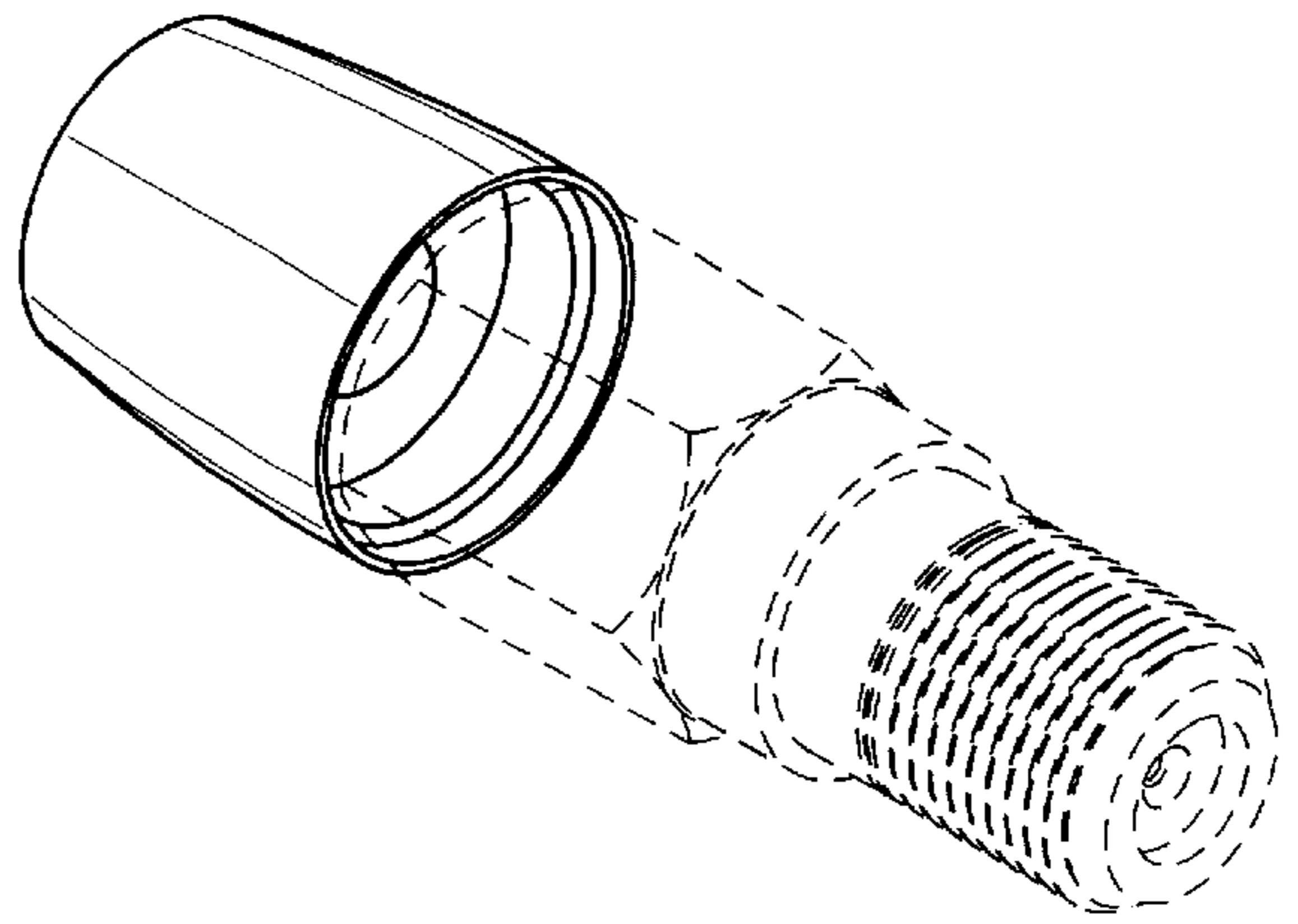


FIG. 2

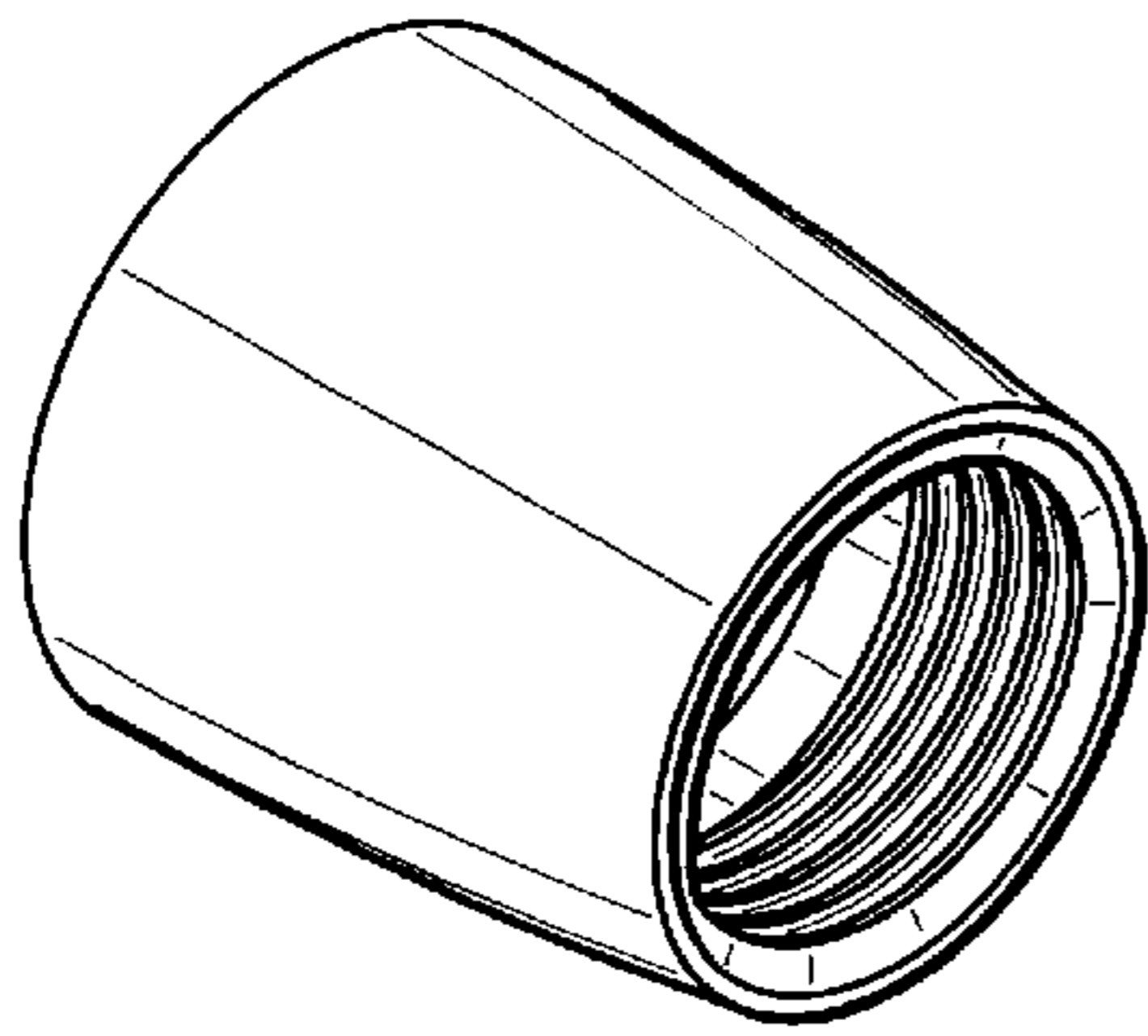


FIG. 3

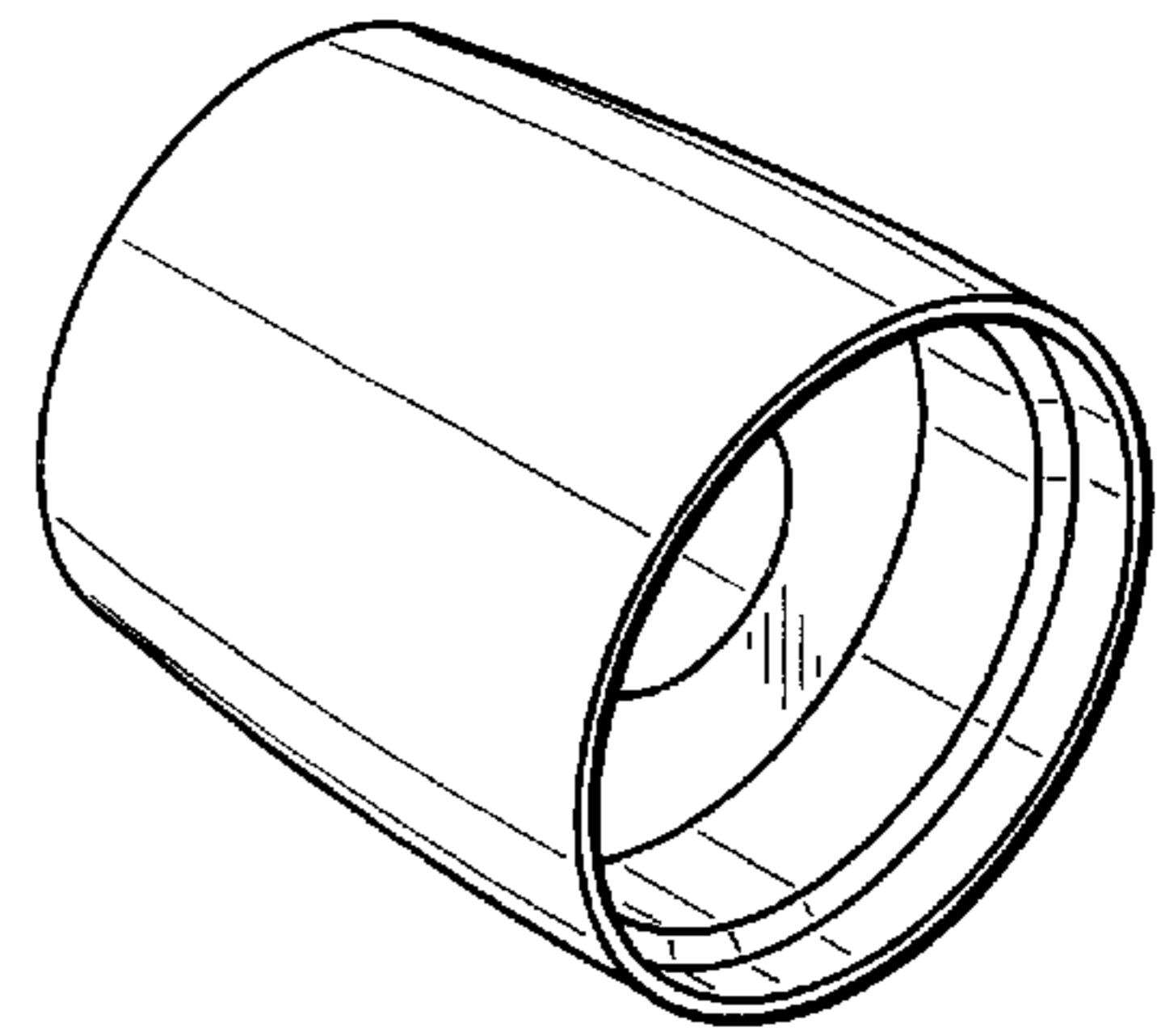


FIG. 4

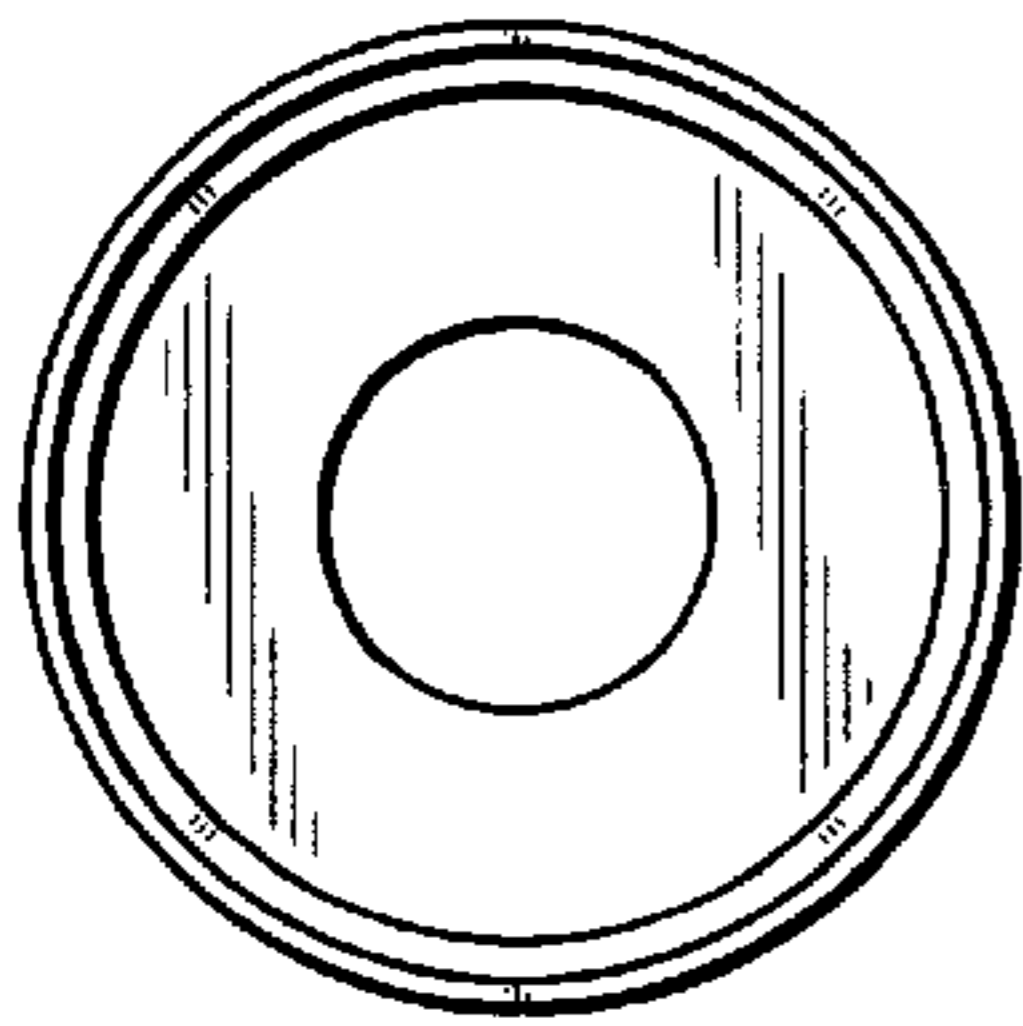


FIG. 5

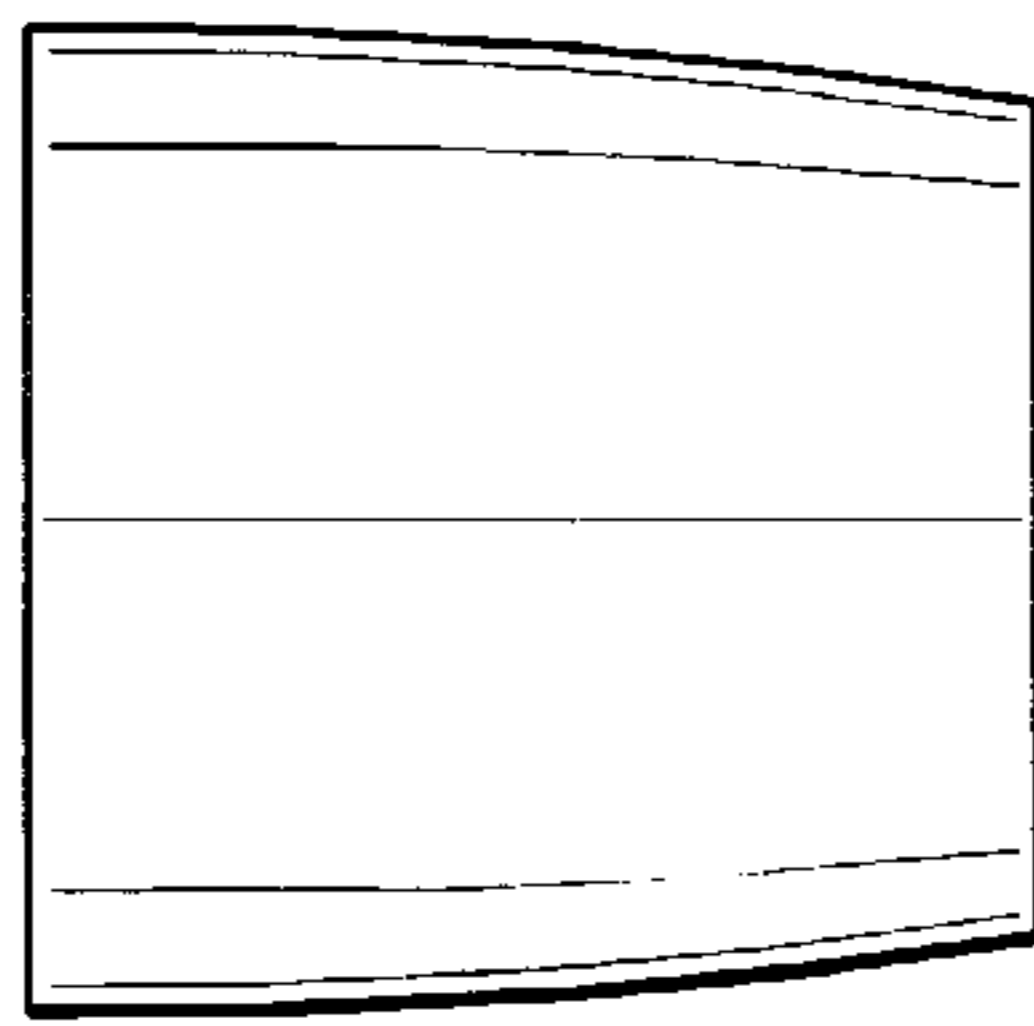


FIG. 6

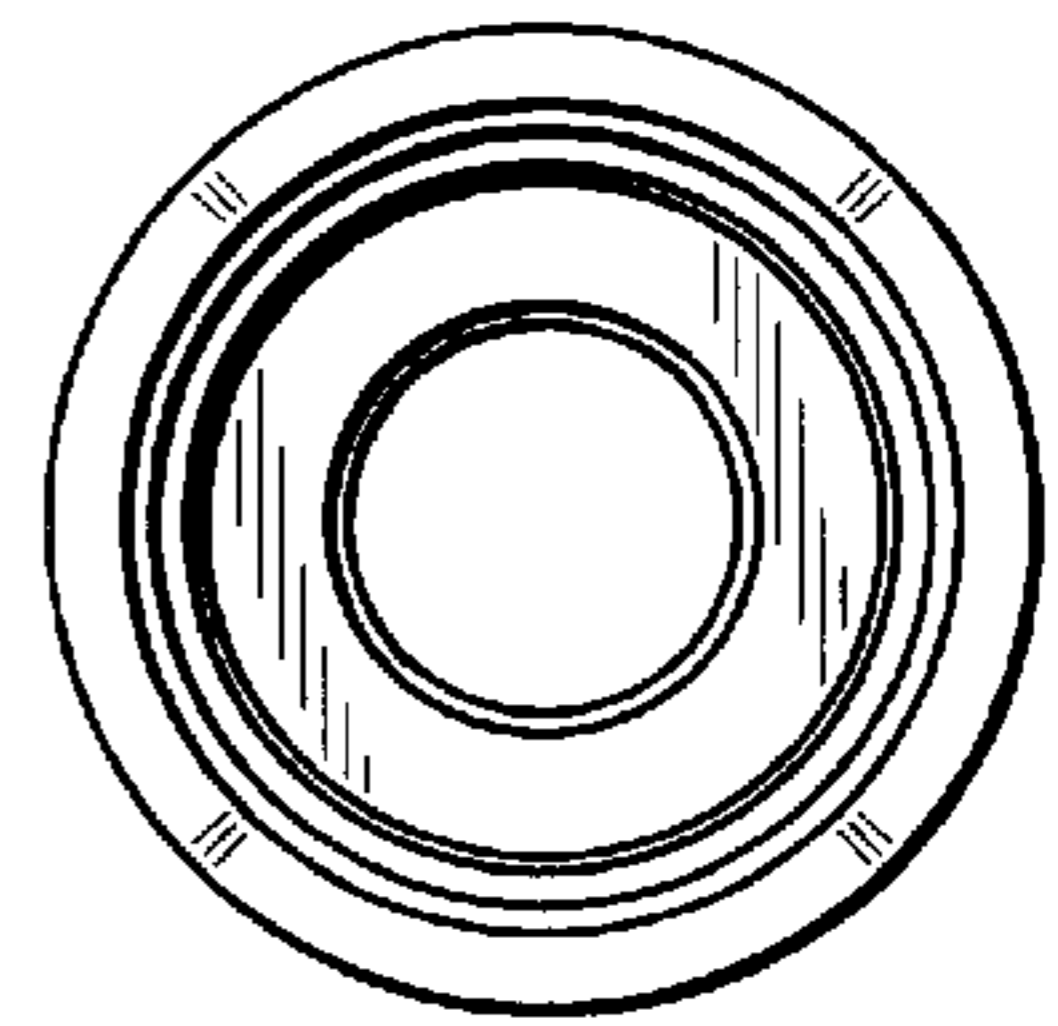


FIG. 7