



US00D432086S

United States Patent [19]

Lee

[11] Patent Number: Des. 432,086

[45] Date of Patent: ** Oct. 17, 2000

[54] ELECTRICAL CONNECTOR

[75] Inventor: **George Lee**, Taipei, Taiwan

[73] Assignee: **Hon Hai Precision Ind. Co., Ltd.**,
Taipei Hsien, Taiwan

[**] Term: **14 Years**

[21] Appl. No.: **29/122,553**

[22] Filed: **Apr. 27, 2000**

[51] LOC (7) Cl. **13-03**

[52] U.S. Cl. **D13/147**

[58] Field of Search D13/133, 146,
D13/147; 439/266, 483, 484, 476.1, 682

4,392,700 7/1983 Showman et al. 439/260
 4,586,768 5/1986 Eck 439/484 X
 5,947,572 9/1999 Chang 439/484 X
 6,039,610 3/2000 Pauza et al. 439/682
 6,053,762 4/2000 Matsumura et al. 439/484

Primary Examiner—Joel Sincavage
Attorney, Agent, or Firm—Wei Te Chung

[57] CLAIM

The ornamental design for an electrical connector, as shown.

DESCRIPTION

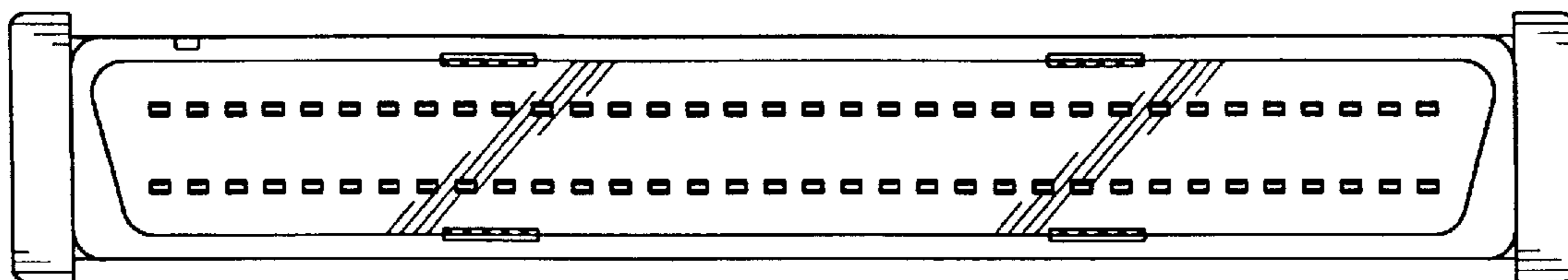
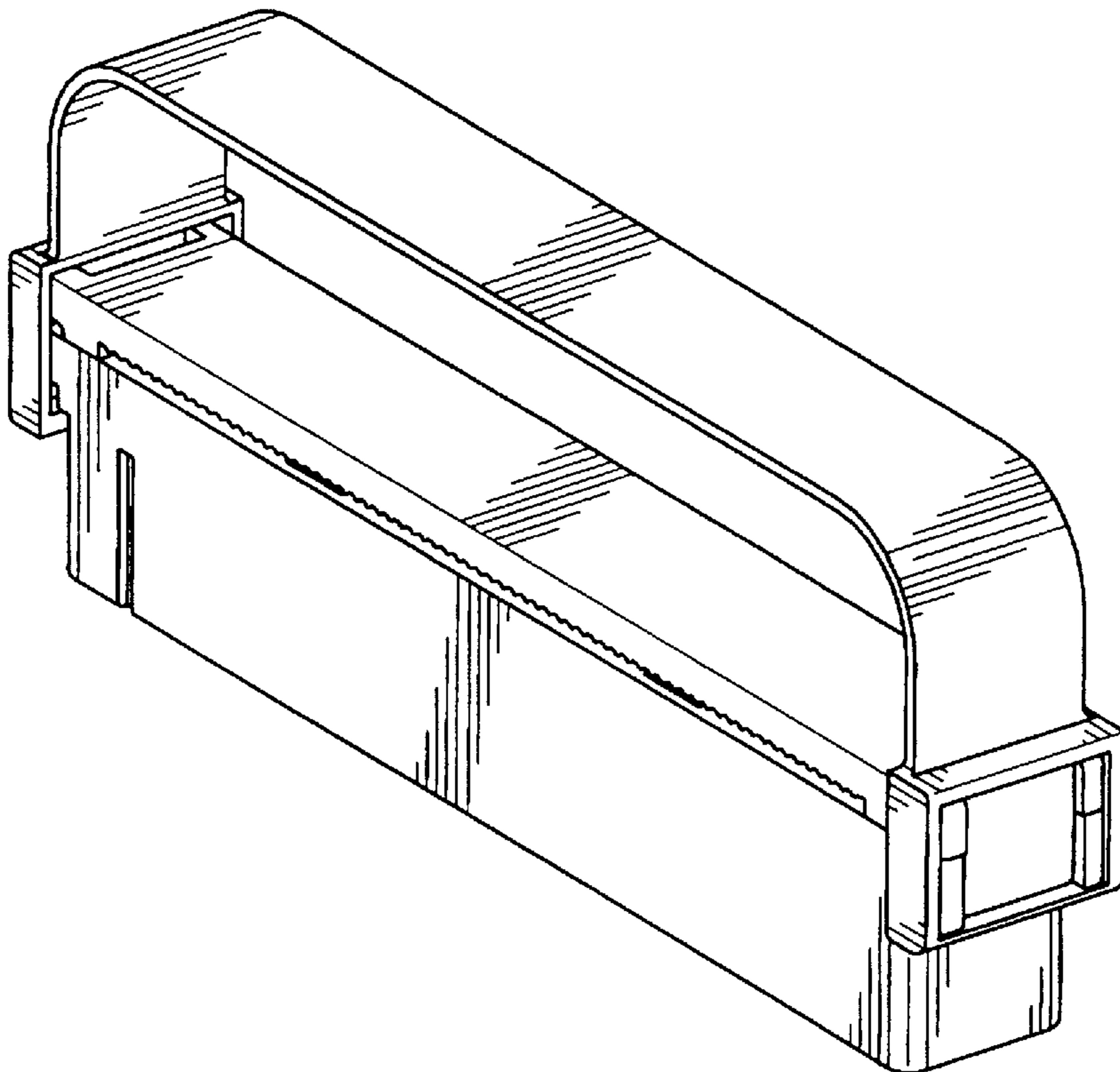
FIG. 1 is a front, top and right side perspective view of an electrical connector showing my new design; FIG. 2 is a front elevational view thereof; FIG. 3 is a rear elevational view thereof; FIG. 4 is a left side elevational view thereof; FIG. 5 is a right side elevational view thereof; FIG. 6 is a top plan view thereof; and, FIG. 7 is a bottom plan view thereof.

1 Claim, 7 Drawing Sheets

[56] **References Cited**

U.S. PATENT DOCUMENTS

D. 399,490 10/1998 Gerke et al. D13/147
 2,893,777 7/1959 O'Neill et al. 439/483
 4,274,700 6/1981 Keglwitsch et al. 439/682



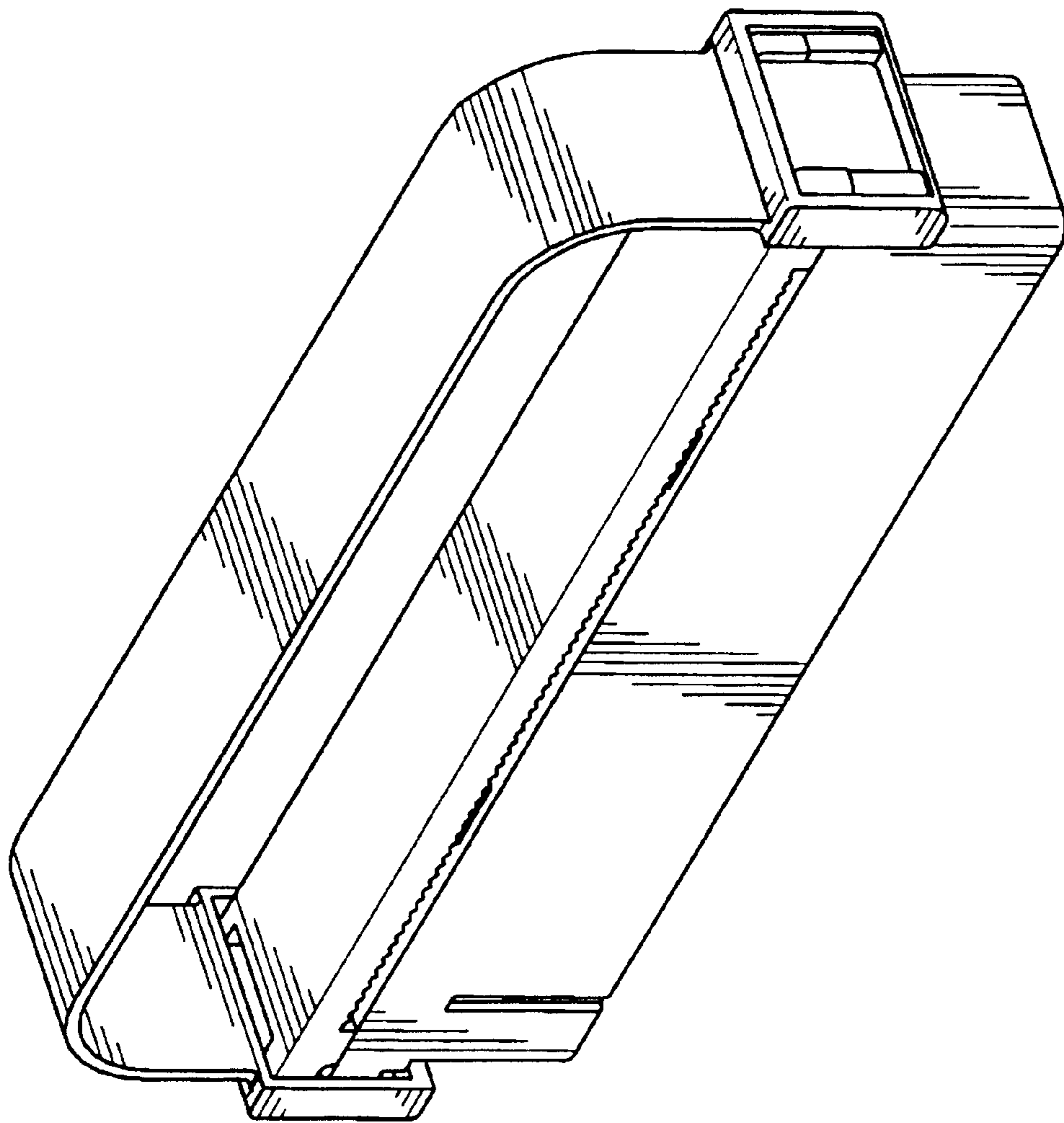


FIG. 1

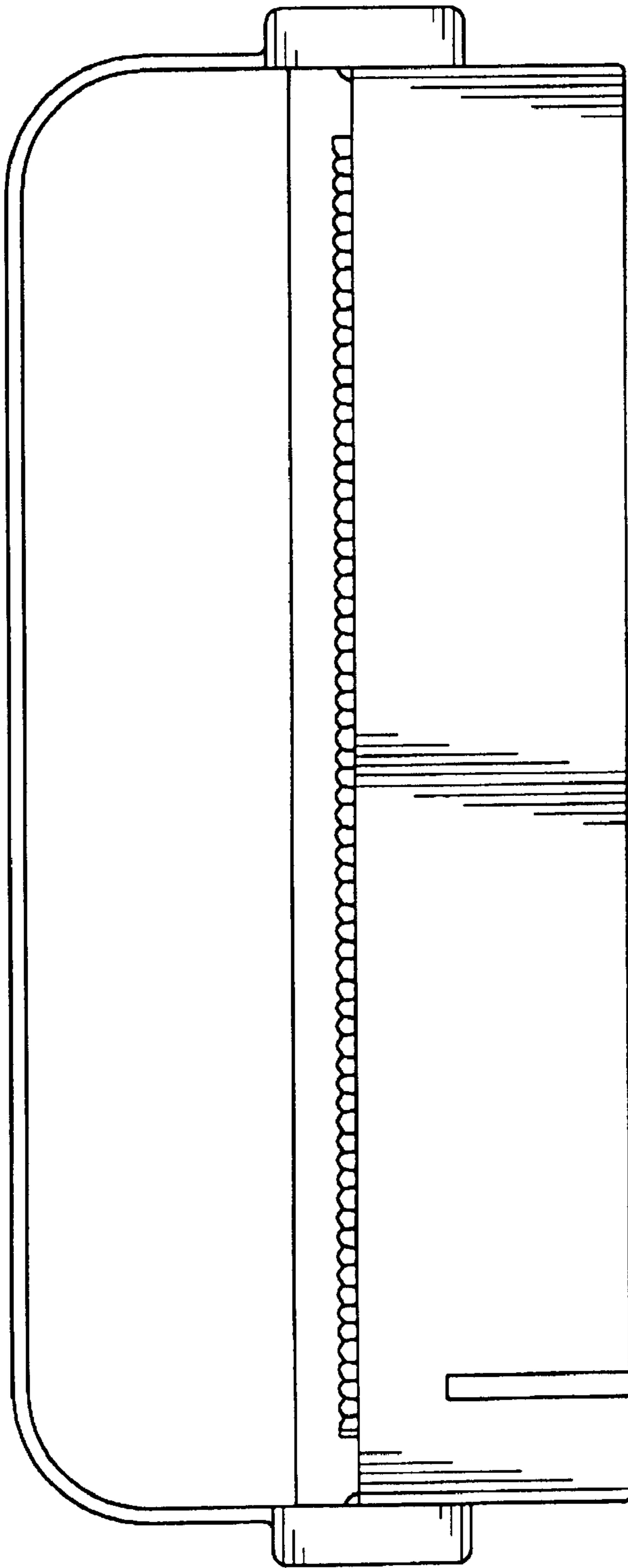


FIG. 2

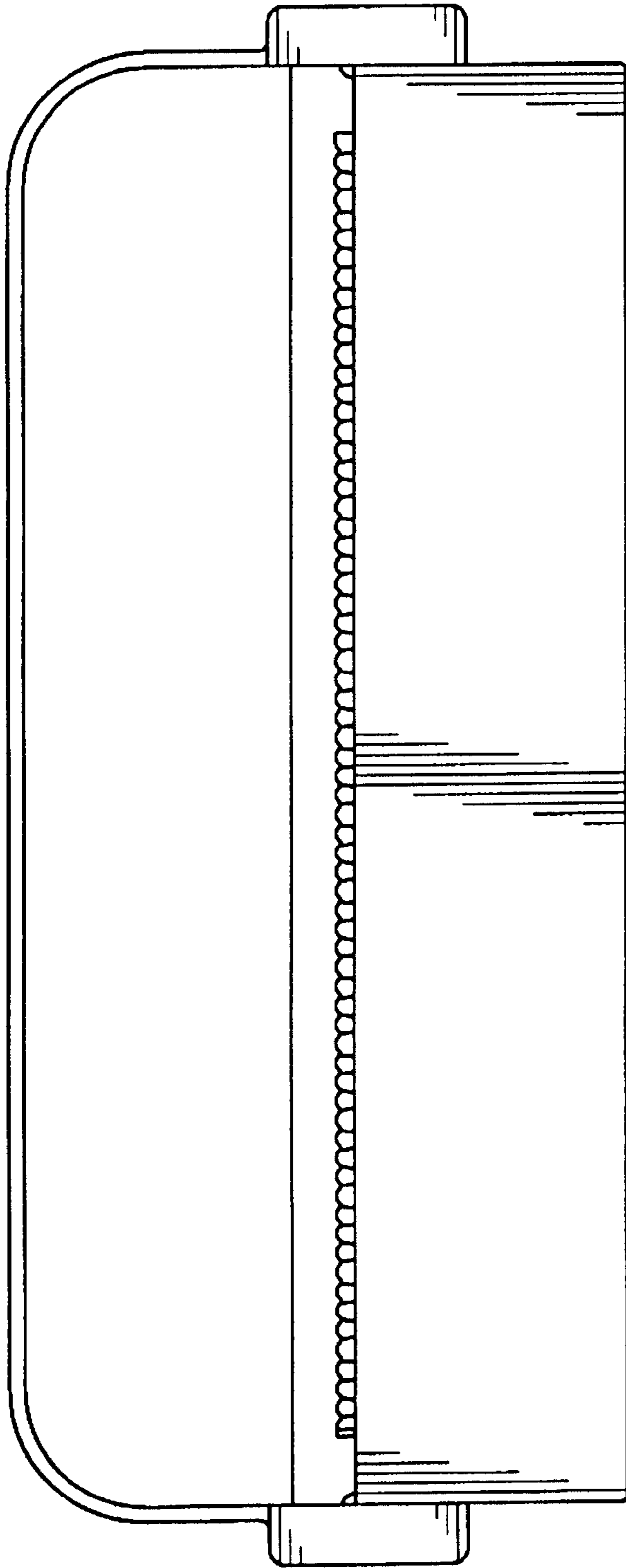


FIG. 3

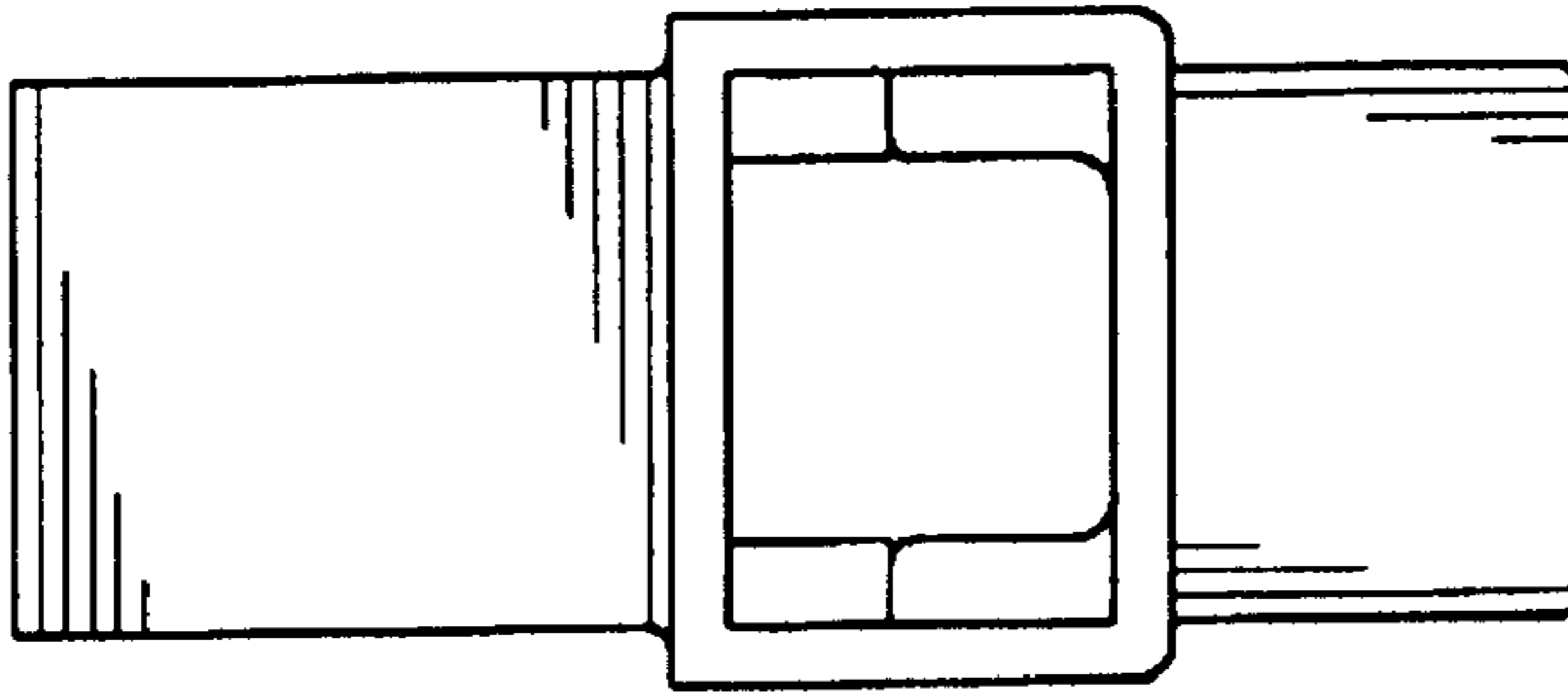


FIG. 4

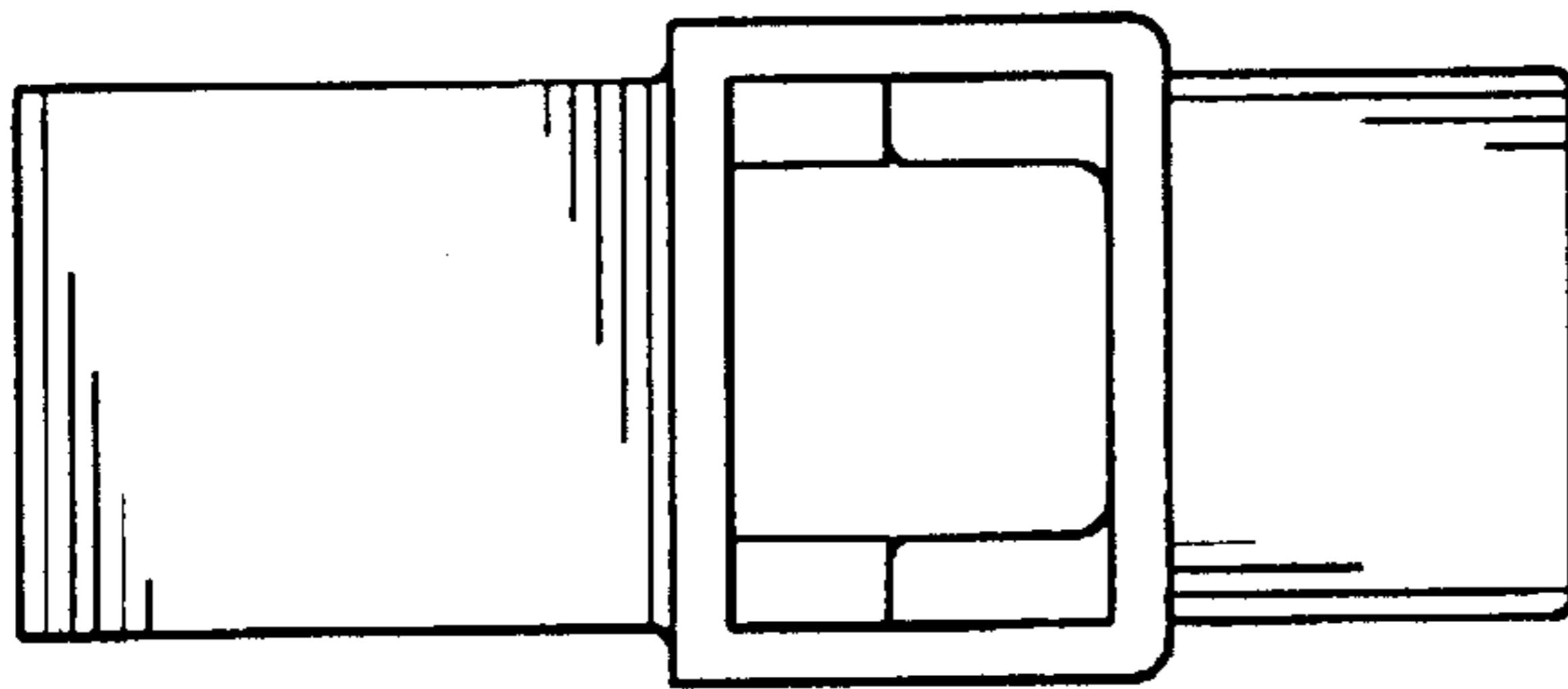


FIG. 5

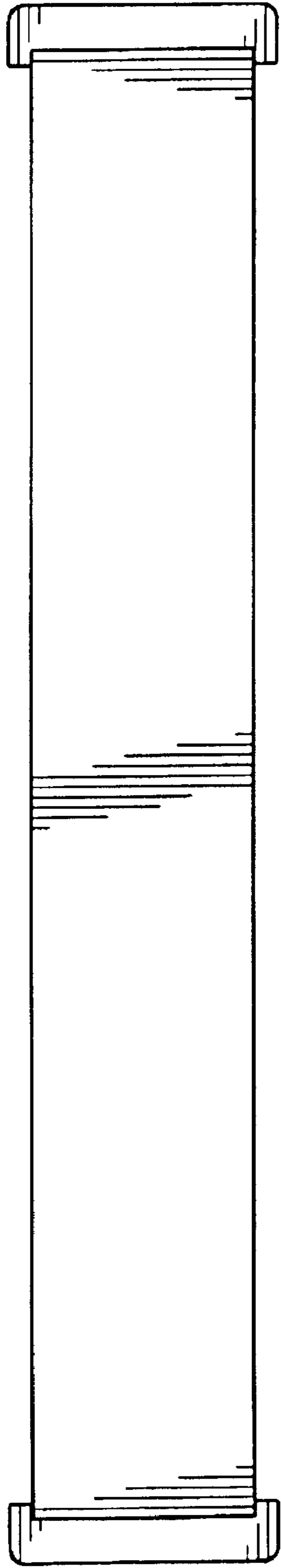


FIG. 6

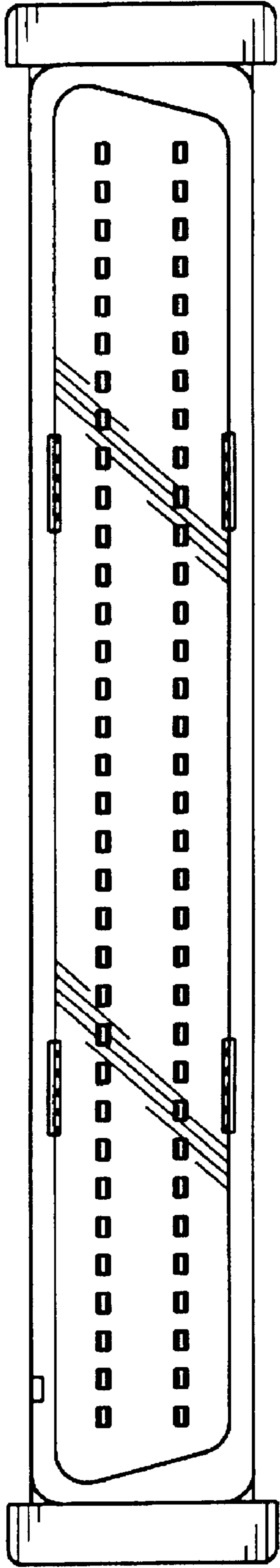


FIG. 7