



US00D432085S

United States Patent [19] Huang

[11] **Patent Number: Des. 432,085**

[45] **Date of Patent: ** Oct. 17, 2000**

[54] **ELECTRICAL CONNECTOR**
[75] Inventor: **Nan Tsung Huang**, Tu-chen, Taiwan
[73] Assignee: **Hon Hai Precision Ind., Co., Ltd.**,
Taipei Hsien, Taiwan
[**] Term: **14 Years**

D. 409,981 5/1999 Wu D13/147
D. 420,330 2/2000 Wu et al. D13/147
4,998,892 3/1991 Shiley 439/378 X
5,466,171 11/1995 Bixler et al. 439/378
5,885,088 3/1999 Brennan et al. 439/378 X
6,065,992 5/2000 Wu et al. 439/378 X
6,074,236 6/2000 Wu 439/378

[21] Appl. No.: **29/122,150**
[22] Filed: **Apr. 19, 2000**

Primary Examiner—Joel Sincavage
Attorney, Agent, or Firm—Wei Te Chung

[30] **Foreign Application Priority Data**

Mar. 31, 2000 [TW] Taiwan 089302113

[51] **LOC (7) Cl.** **13-03**
[52] **U.S. Cl.** **D13/147**
[58] **Field of Search** D13/133, 146,
D13/147; 439/378, 607-610

[57] **CLAIM**
The ornamental design for an electrical connector, as shown.

DESCRIPTION

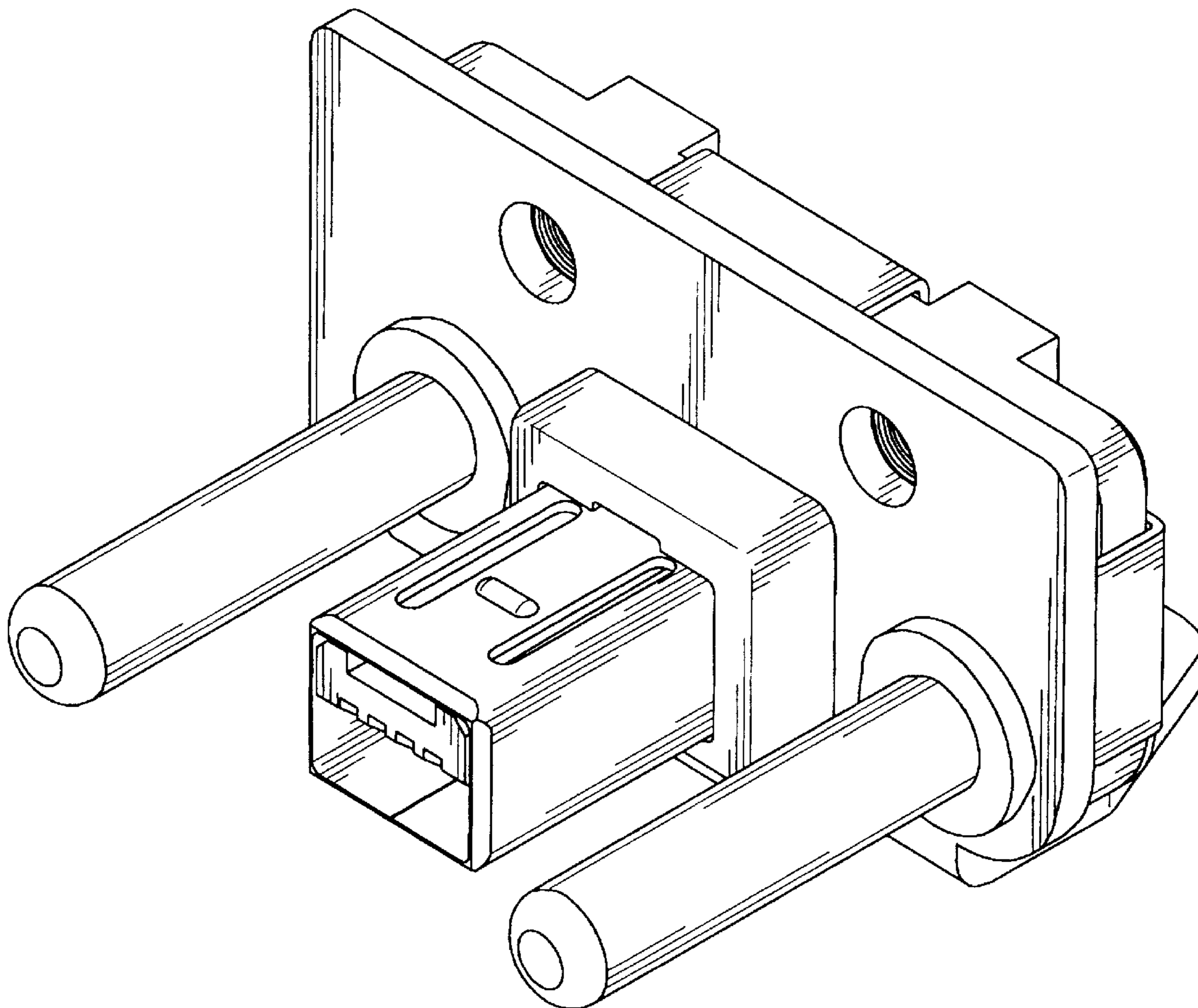
FIG. 1 is a front, top and right side perspective view of an electrical connector showing my new design; FIG. 2 is a front elevational view thereof; FIG. 3 is a rear elevational view thereof; FIG. 4 is a left side elevational view thereof; FIG. 5 is a right side elevational view thereof; FIG. 6 is a top plan view thereof; and, FIG. 7 is a bottom plan view thereof.

[56] **References Cited**

U.S. PATENT DOCUMENTS

D. 402,630 12/1998 Lai et al. D13/147

1 Claim, 7 Drawing Sheets



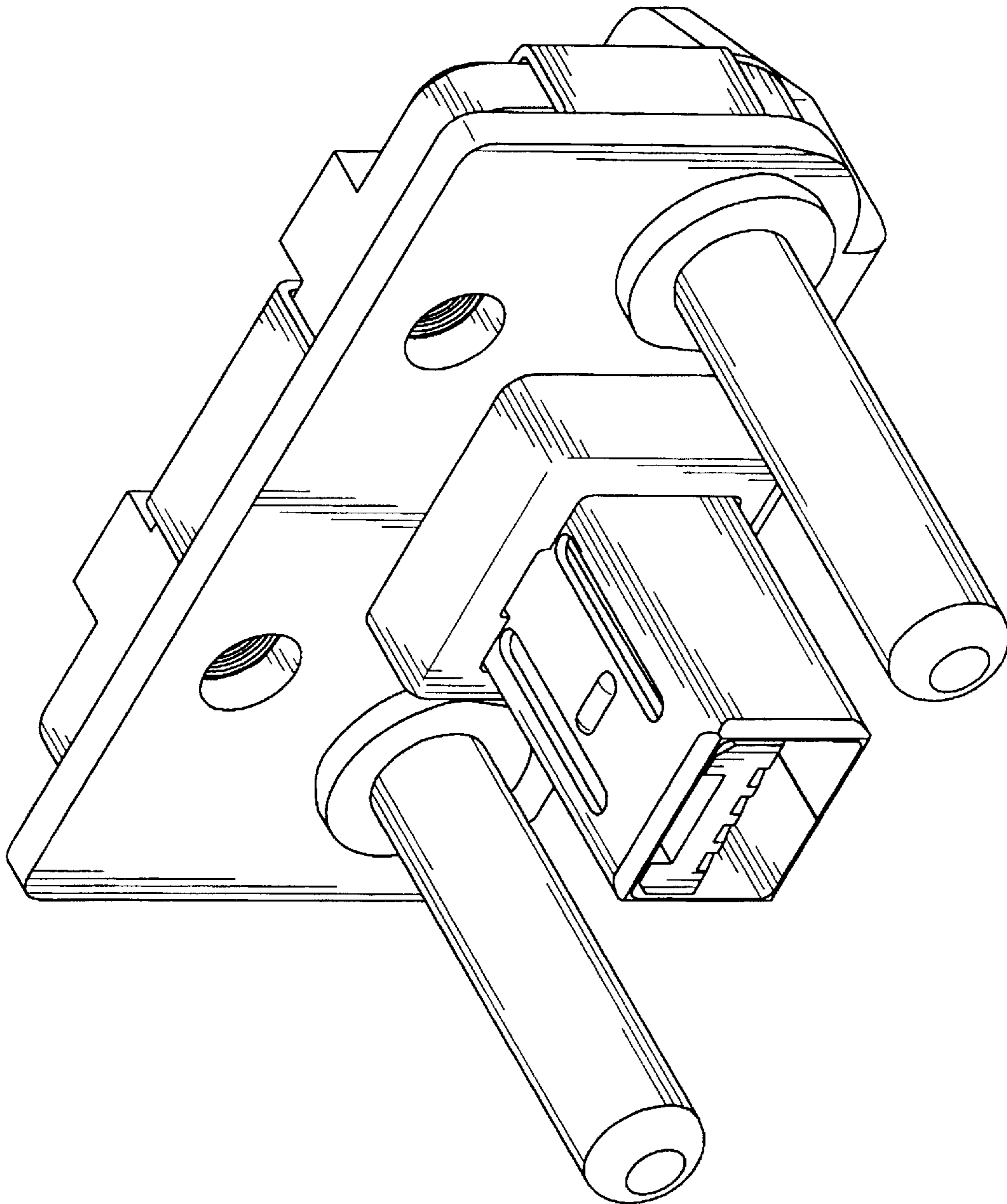


FIG. 1

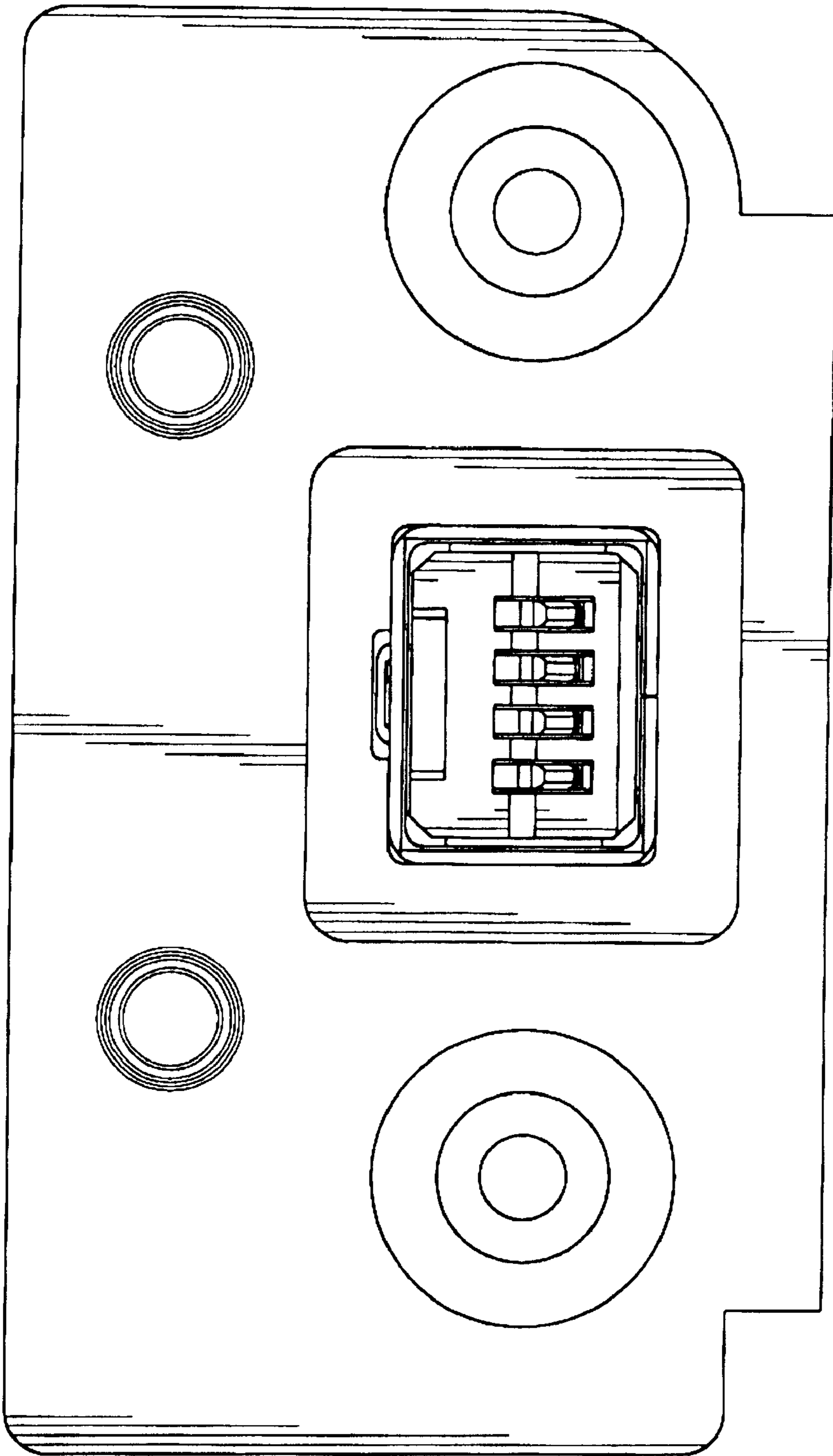


FIG. 2

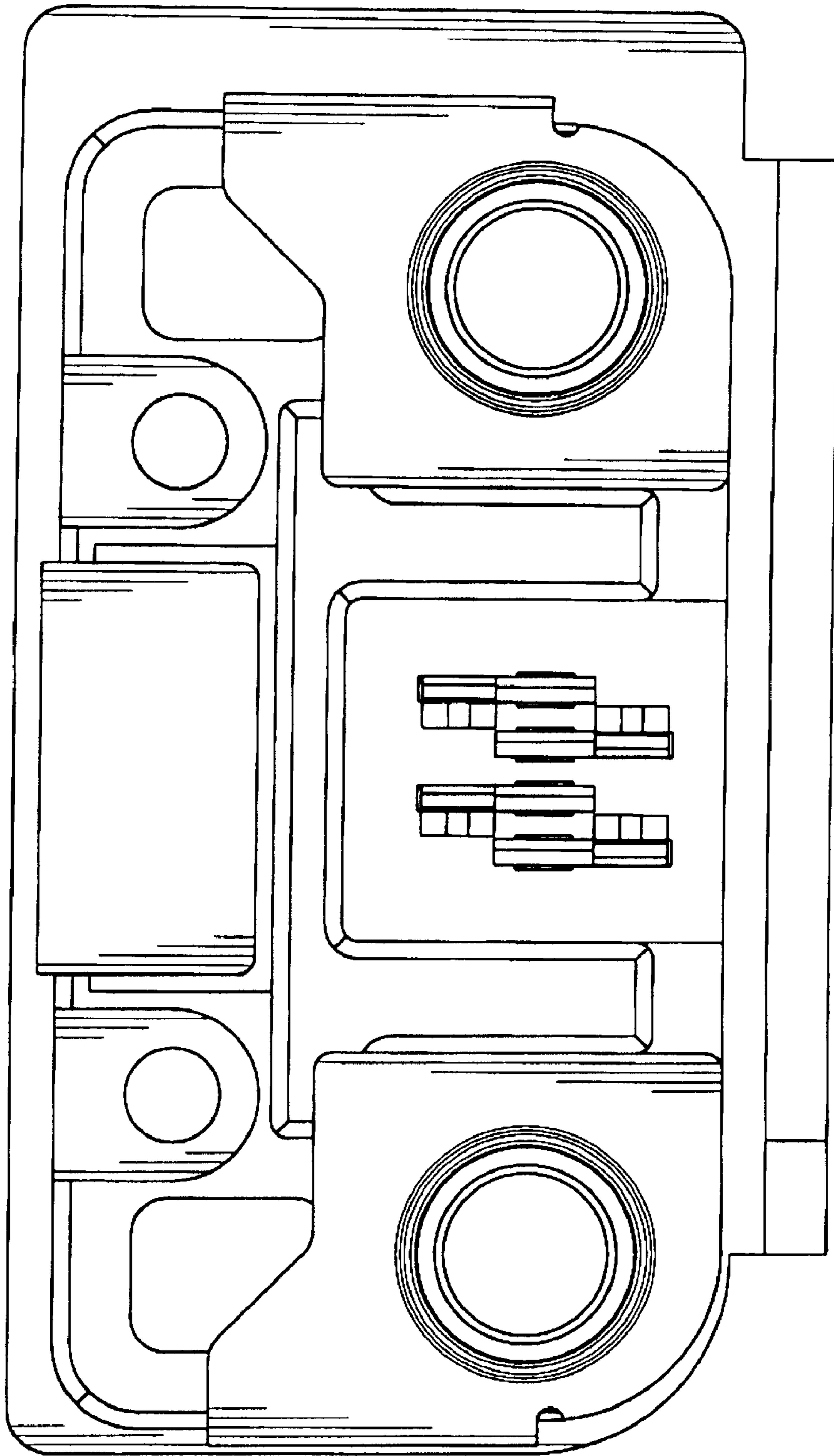


FIG. 3

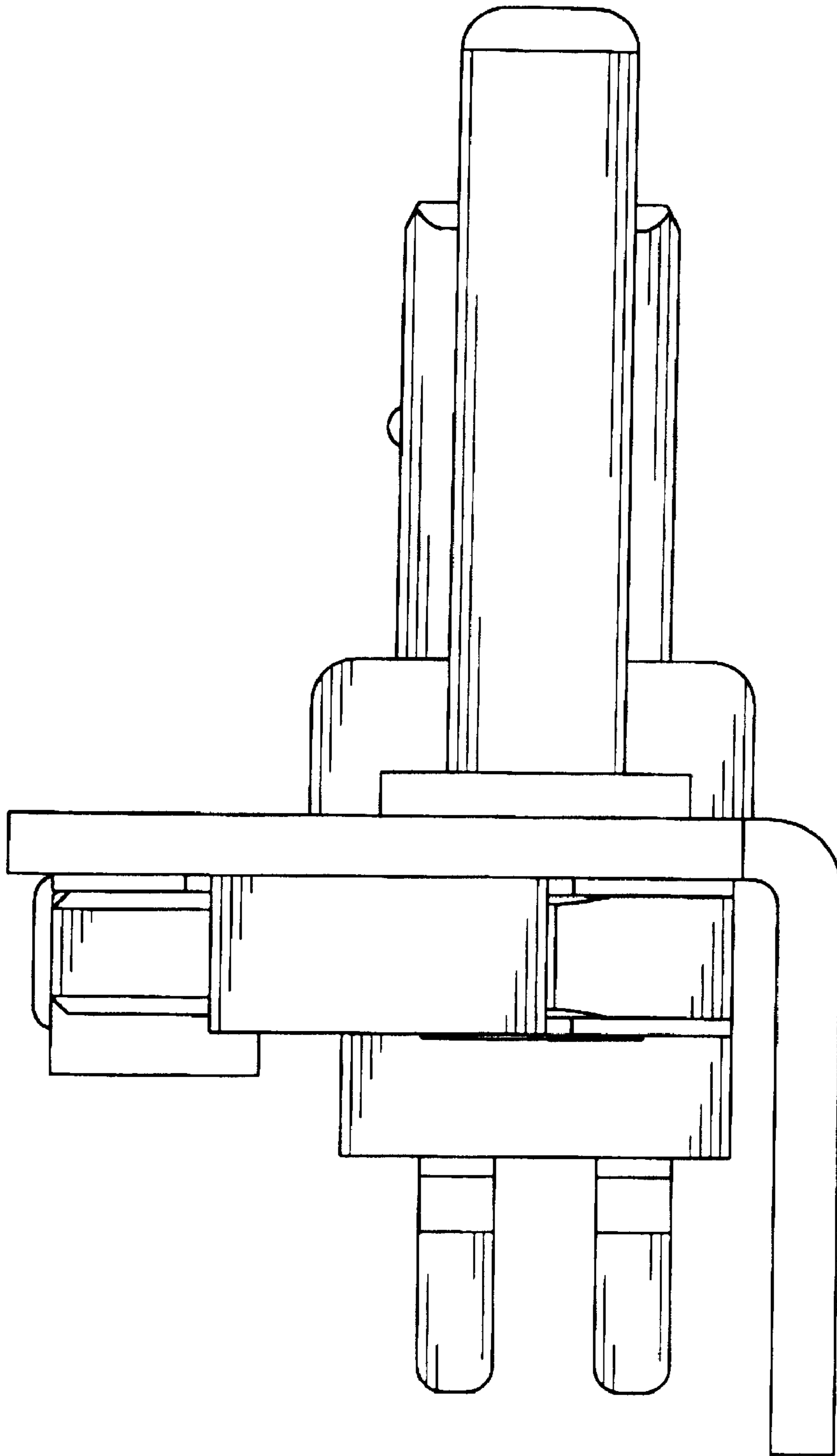


FIG. 4

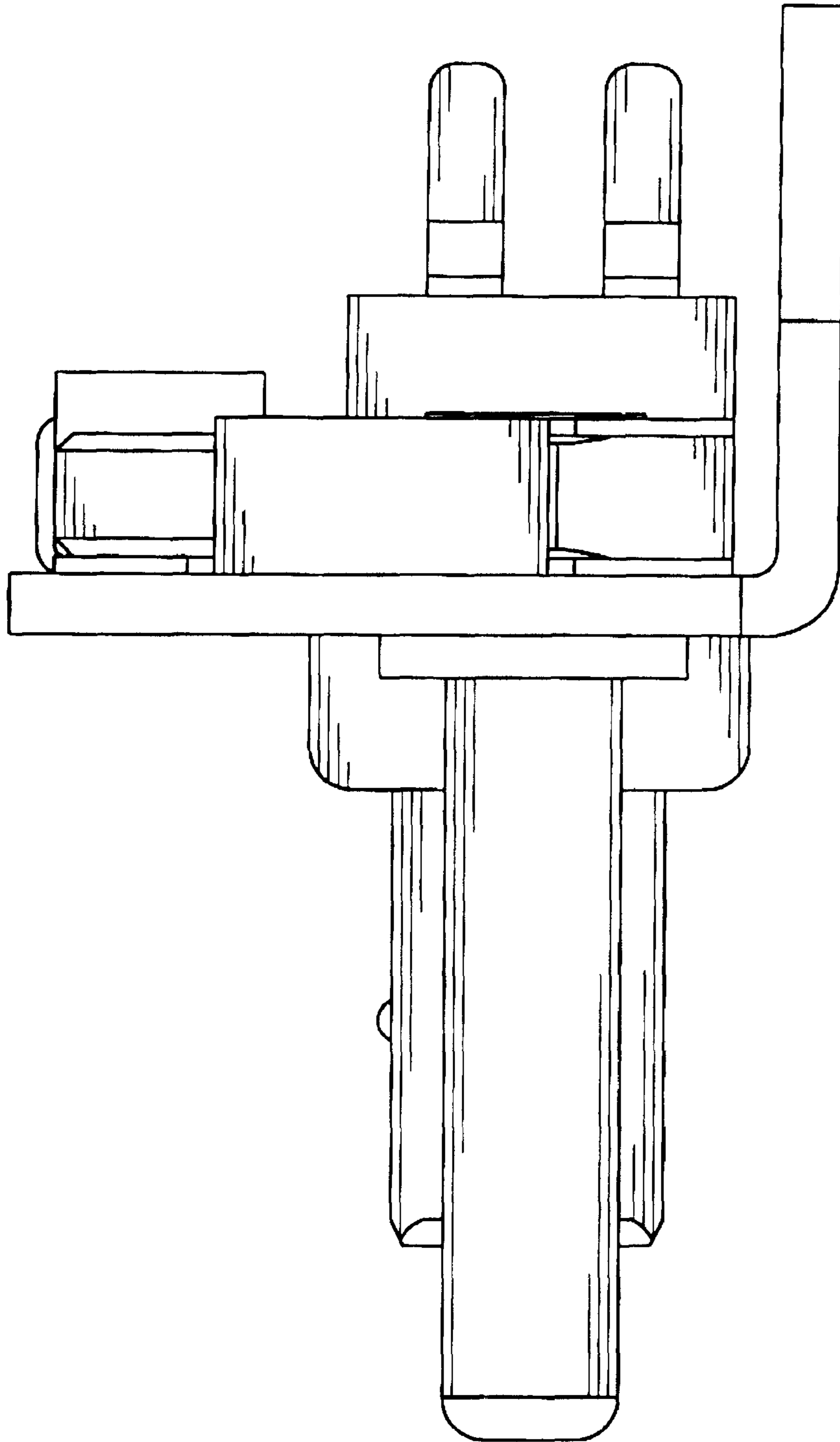


FIG. 5

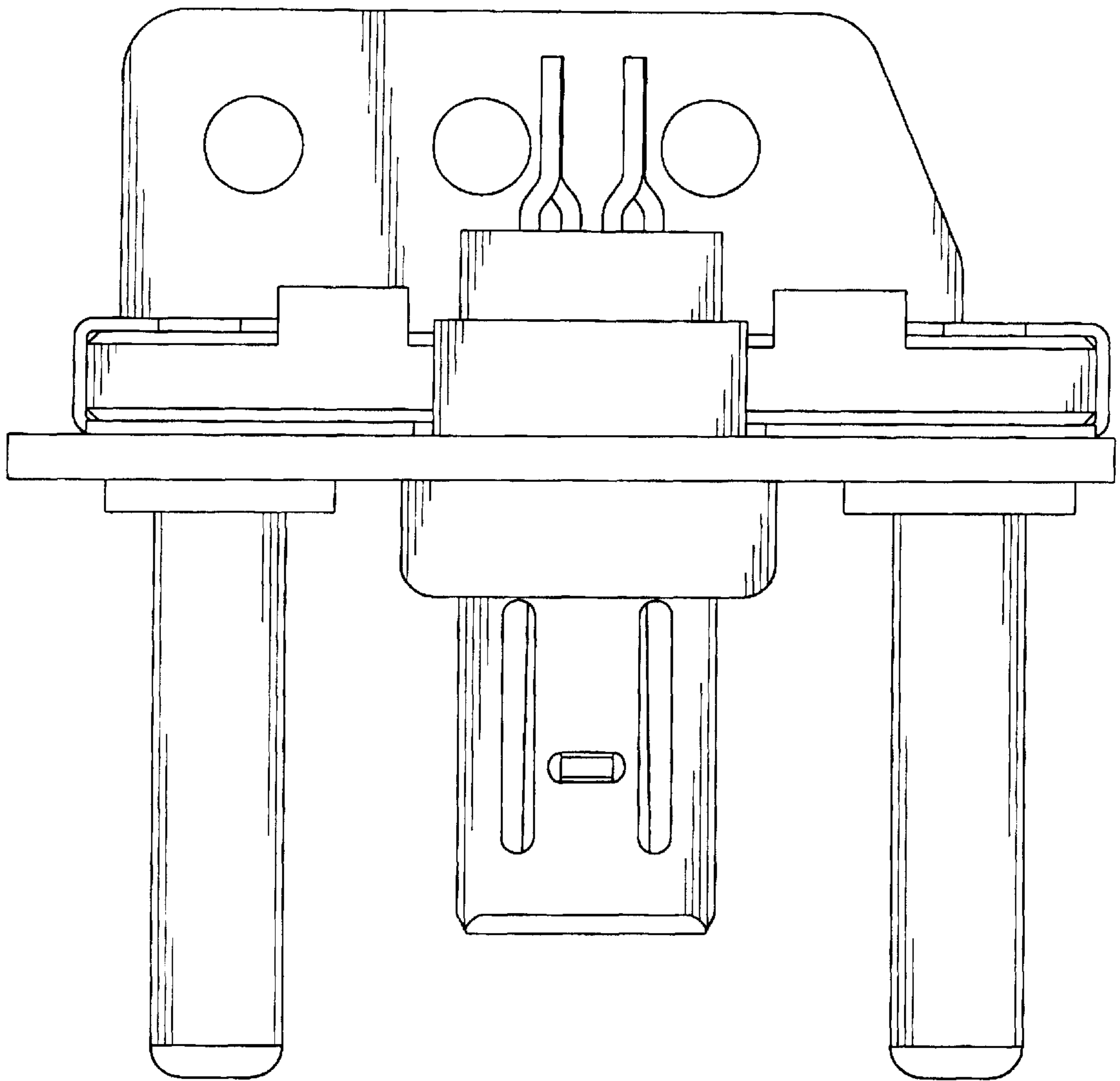


FIG. 6

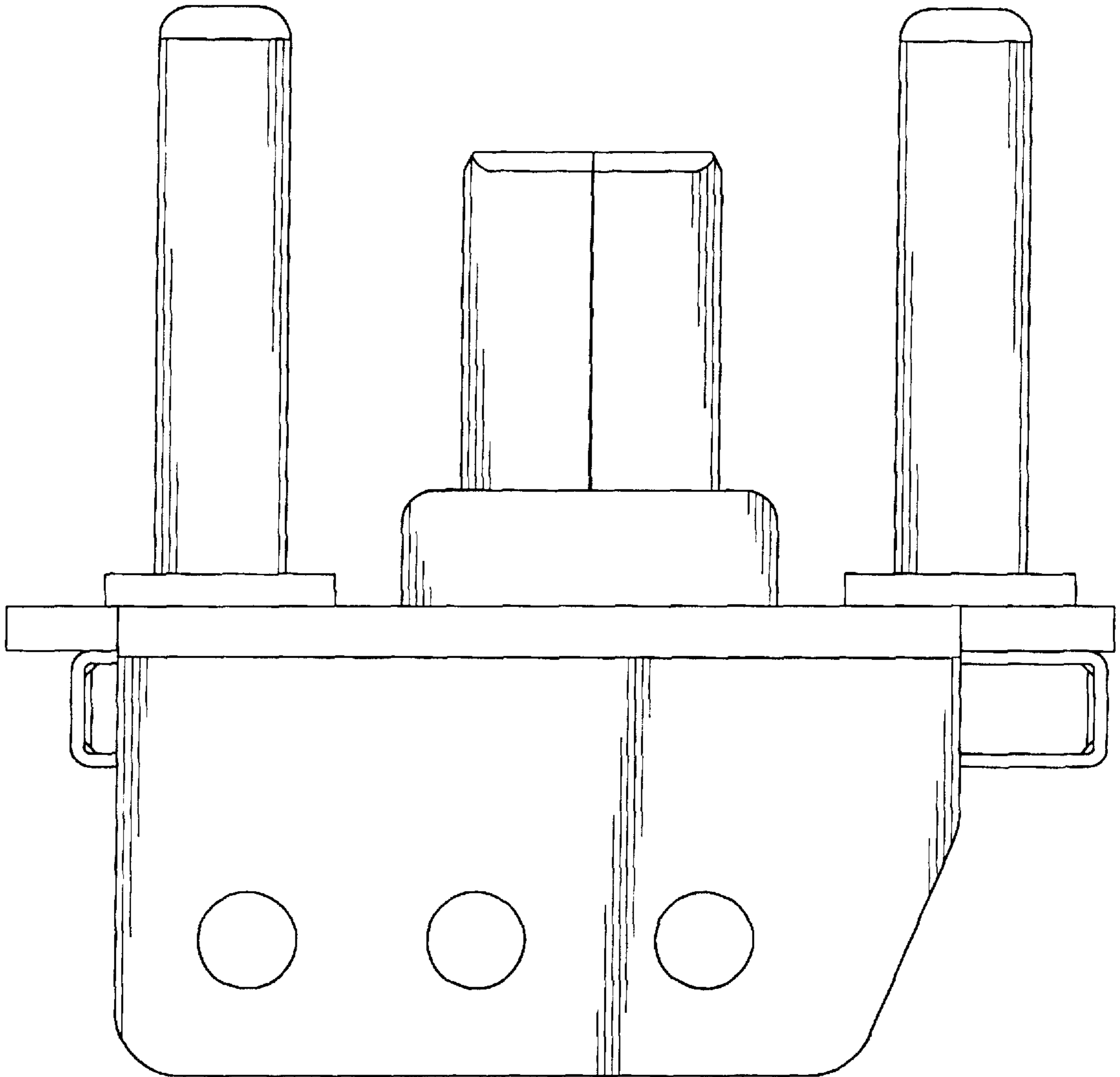


FIG. 7