



US00D432084S

# United States Patent [19] Miller

[11] **Patent Number: Des. 432,084**

[45] **Date of Patent: \*\* Oct. 17, 2000**

[54] **SMALL ELECTRICAL CORD EXTENSION ASSEMBLY**

3,904,843 9/1975 Kendecky ..... 362/258 X  
4,378,473 3/1983 Noorigian ..... 191/12.2 R  
5,645,147 7/1997 Kovacik et al. .

[75] Inventor: **Thomas J. Miller**, Chino Hills, Calif.

[73] Assignee: **TMC Enterprise, a division of Tasco Industries, Inc.**, Diamond Bar, Calif.

[\*\*] Term: **14 Years**

*Primary Examiner*—Susan J. Lucas  
*Assistant Examiner*—Jennifer Rivard  
*Attorney, Agent, or Firm*—Knobbe, Martens, Olson & Bear, LLP

[21] Appl. No.: **29/116,984**

[22] Filed: **Jan. 13, 2000**

[51] **LOC (7) Cl.** ..... **13-03**

[52] **U.S. Cl.** ..... **D13/137.4**

[58] **Field of Search** ..... D13/137.1–137.4,  
D13/139.6–139.8; 439/4, 501, 651, 652;  
174/135; 191/12.2 R, 12.4

## [57] CLAIM

The ornamental design for a small electrical cord extension assembly, as shown and described.

## DESCRIPTION

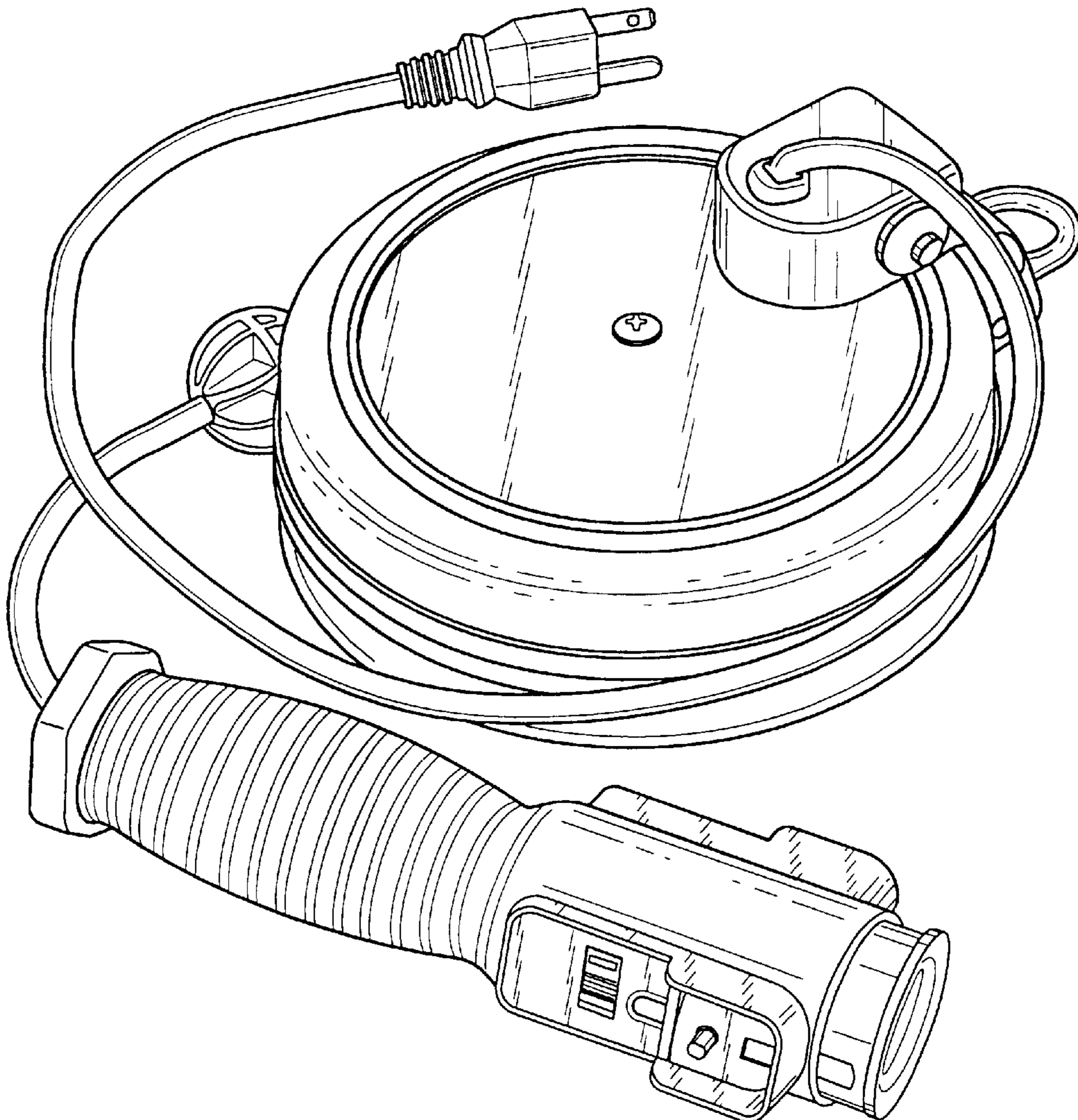
FIG. 1 is a front elevational view of the small electrical cord extension assembly of the present design; FIG. 2 is a right side elevational view thereof; FIG. 3 is a top plan view thereof; FIG. 4 is a bottom plan view thereof; and, FIG. 5 is a back side elevational view thereof.

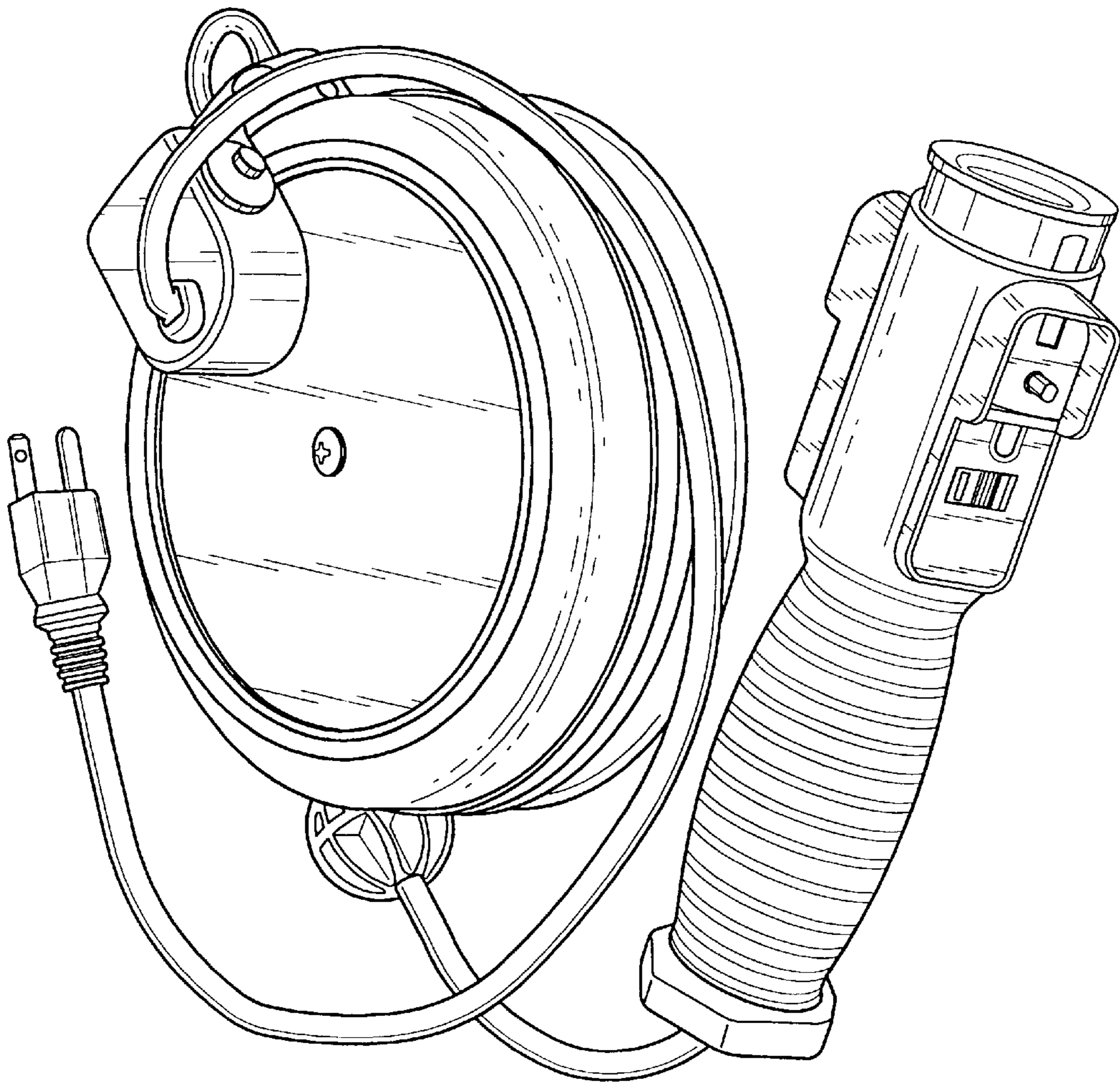
## [56] References Cited

### U.S. PATENT DOCUMENTS

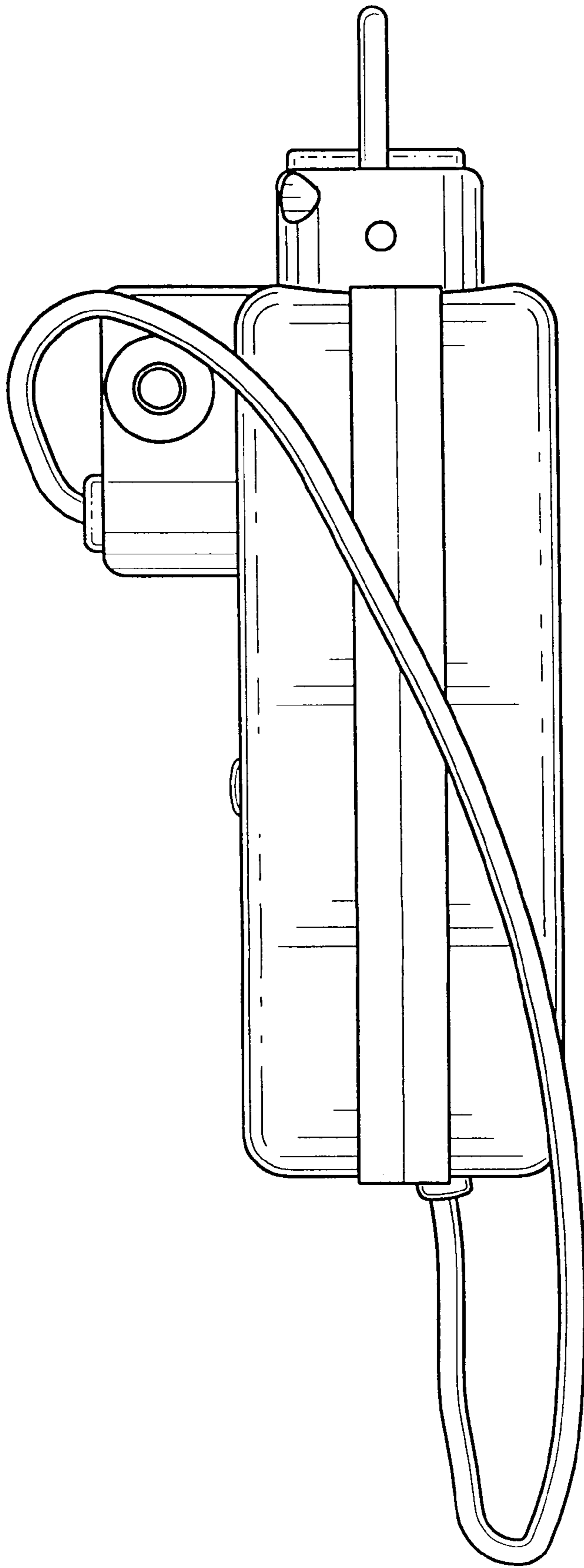
2,521,226 9/1950 Keller ..... 439/501 X

**1 Claim, 5 Drawing Sheets**

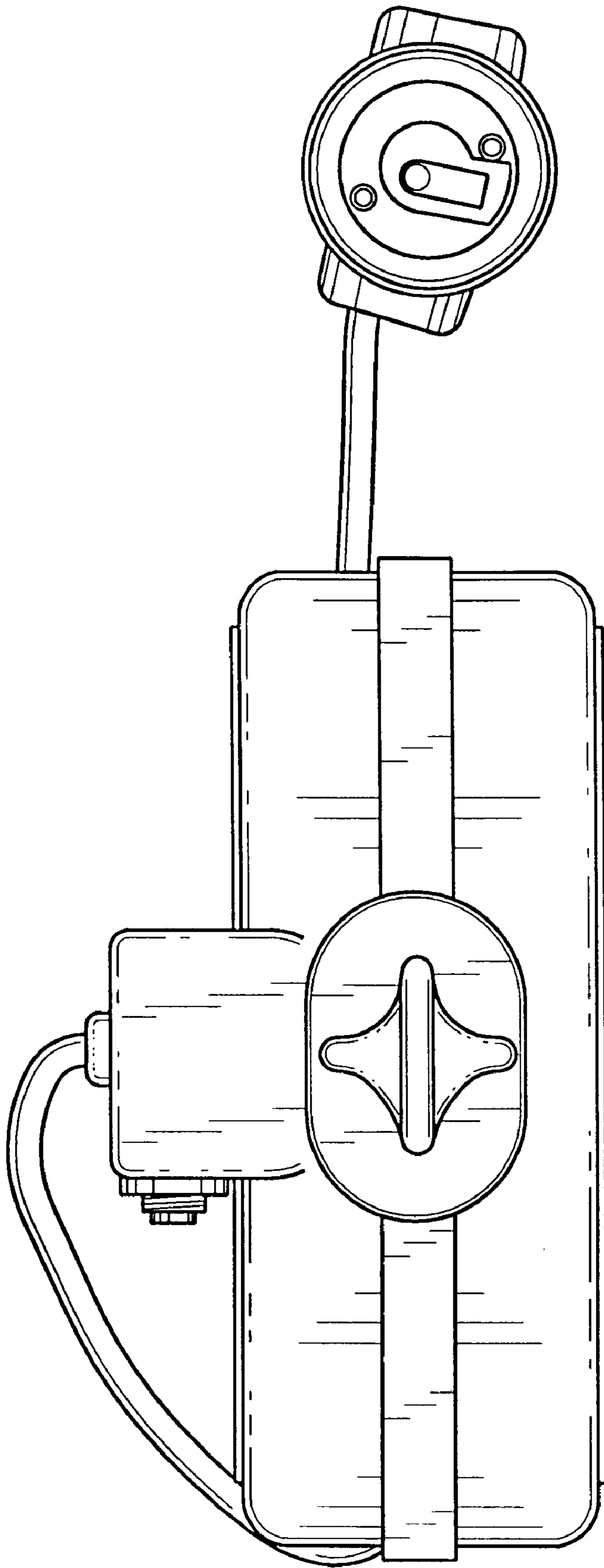




*FIG. 1*

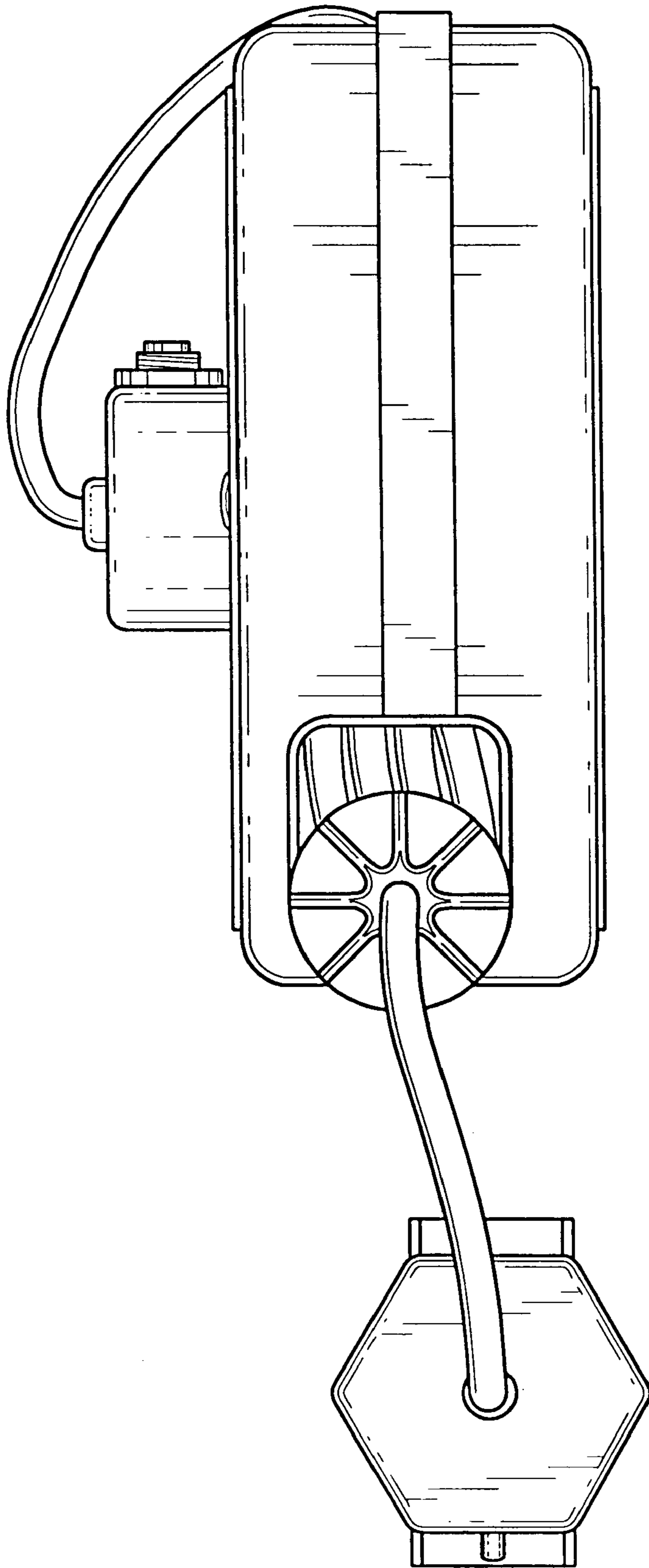


*FIG. 2*

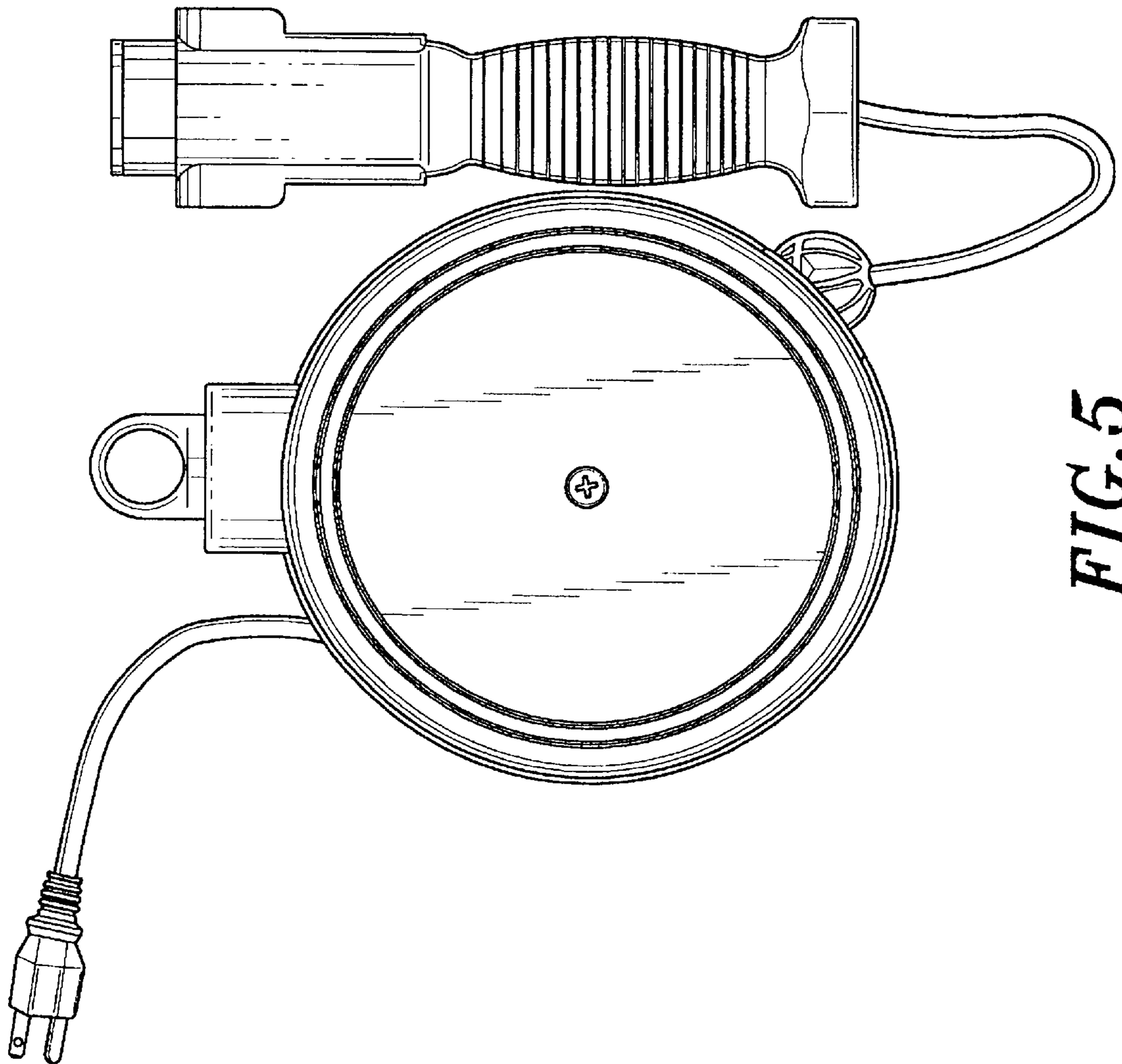


**FIG. 3**





*FIG. 4*



*FIG. 5*