



US00D432083S

# United States Patent [19] Chang

[11] **Patent Number: Des. 432,083**

[45] **Date of Patent: \*\* Oct. 17, 2000**

[54] **ELECTRICAL JACK**

[75] **Inventor: Yao-Hao Chang, Chung-Ho, Taiwan**

[73] **Assignee: Hon Hai Precision Ind. Co., Ltd.,  
Taipei Hsien, Taiwan**

[\*\*] **Term: 14 Years**

[21] **Appl. No.: 29/114,809**

[22] **Filed: Dec. 1, 1999**

### [30] Foreign Application Priority Data

Jul. 6, 1999 [TW] Taiwan ..... 88211236

[51] **LOC (7) Cl. .... 13-03**

[52] **U.S. Cl. .... D13/133**

[58] **Field of Search ..... D13/133, 146,  
D13/147; 439/79, 607, 609, 668**

### [56] References Cited

#### U.S. PATENT DOCUMENTS

D. 379,969 6/1997 Tan ..... D13/147

D. 409,576 5/1999 Wood et al. .... D13/133 X

D. 414,463 9/1999 Wu ..... D13/133

D. 417,862 12/1999 Wood et al. .... D13/133

D. 420,642 2/2000 Wu ..... D13/133

3,403,369 9/1968 Steiff et al. .... 439/79

5,738,546 4/1998 Burroughs et al. .... 439/620

5,919,052 7/1999 Ho ..... 439/668 X

6,000,970 12/1999 Wu ..... 439/668 X

6,050,854 4/2000 Fang et al. .... 439/607

*Primary Examiner*—Joel Sincavage  
*Attorney, Agent, or Firm*—Wei Te Chung

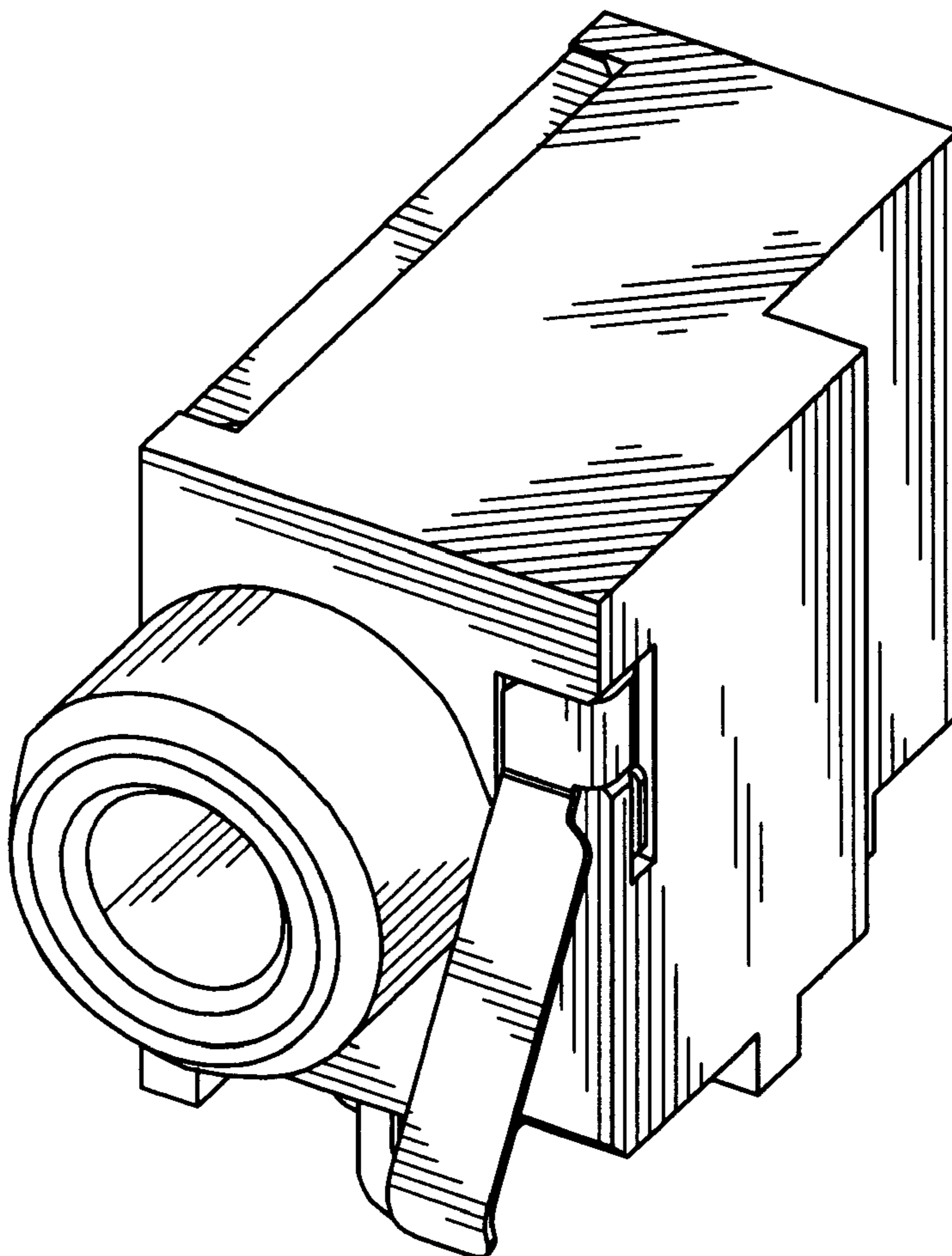
### [57] CLAIM

The ornamental design for an electrical jack, as shown.

### DESCRIPTION

FIG. 1 is a front, top and right side perspective view of an electrical jack showing my new design; FIG. 2 is a front elevational view thereof; FIG. 3 is a rear elevational view thereof; FIG. 4 is a left side elevational view thereof; FIG. 5 is a right side elevational view thereof; FIG. 6 is a top plan view thereof; and, FIG. 7 is a bottom plan view thereof.

**1 Claim, 7 Drawing Sheets**



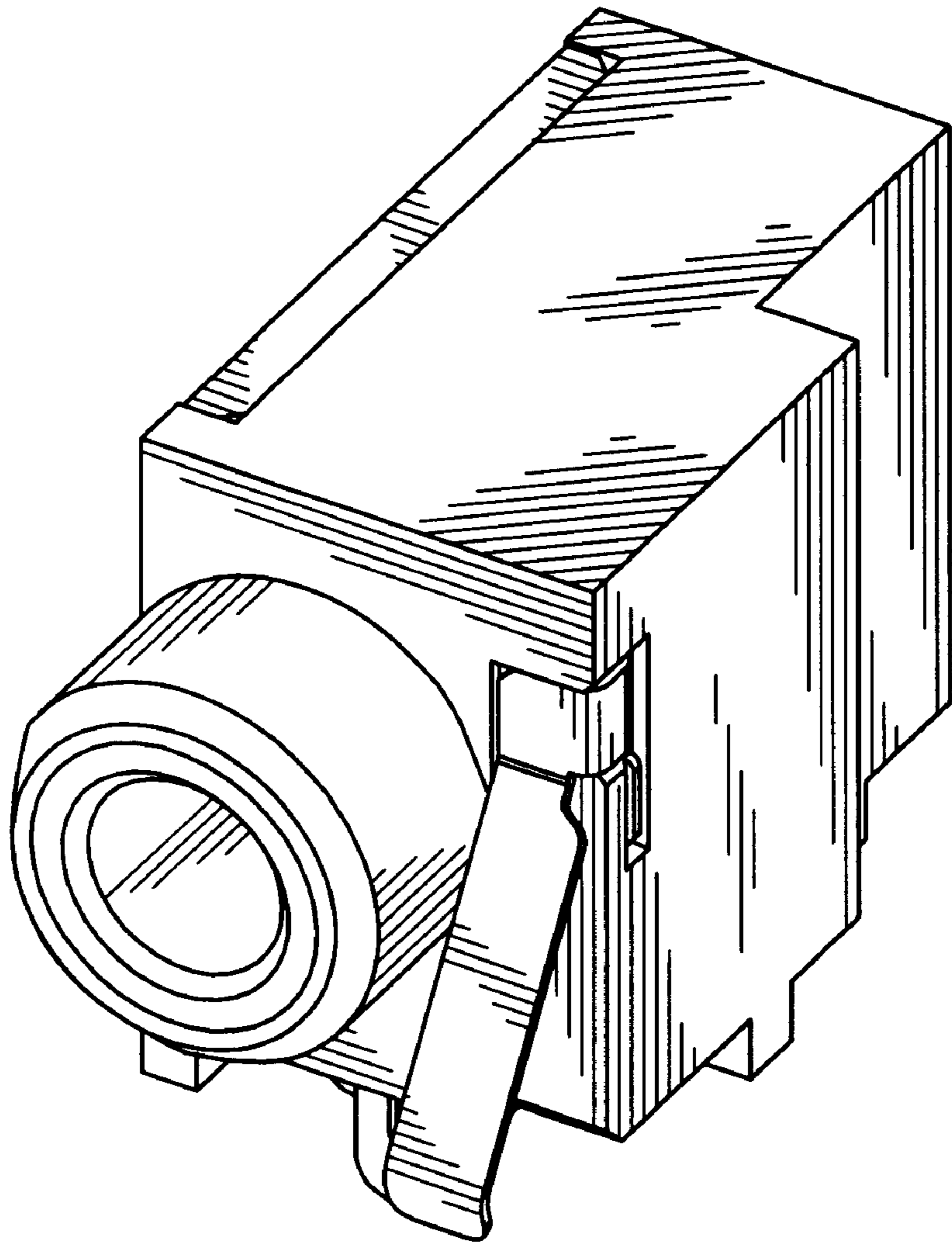


FIG. 1

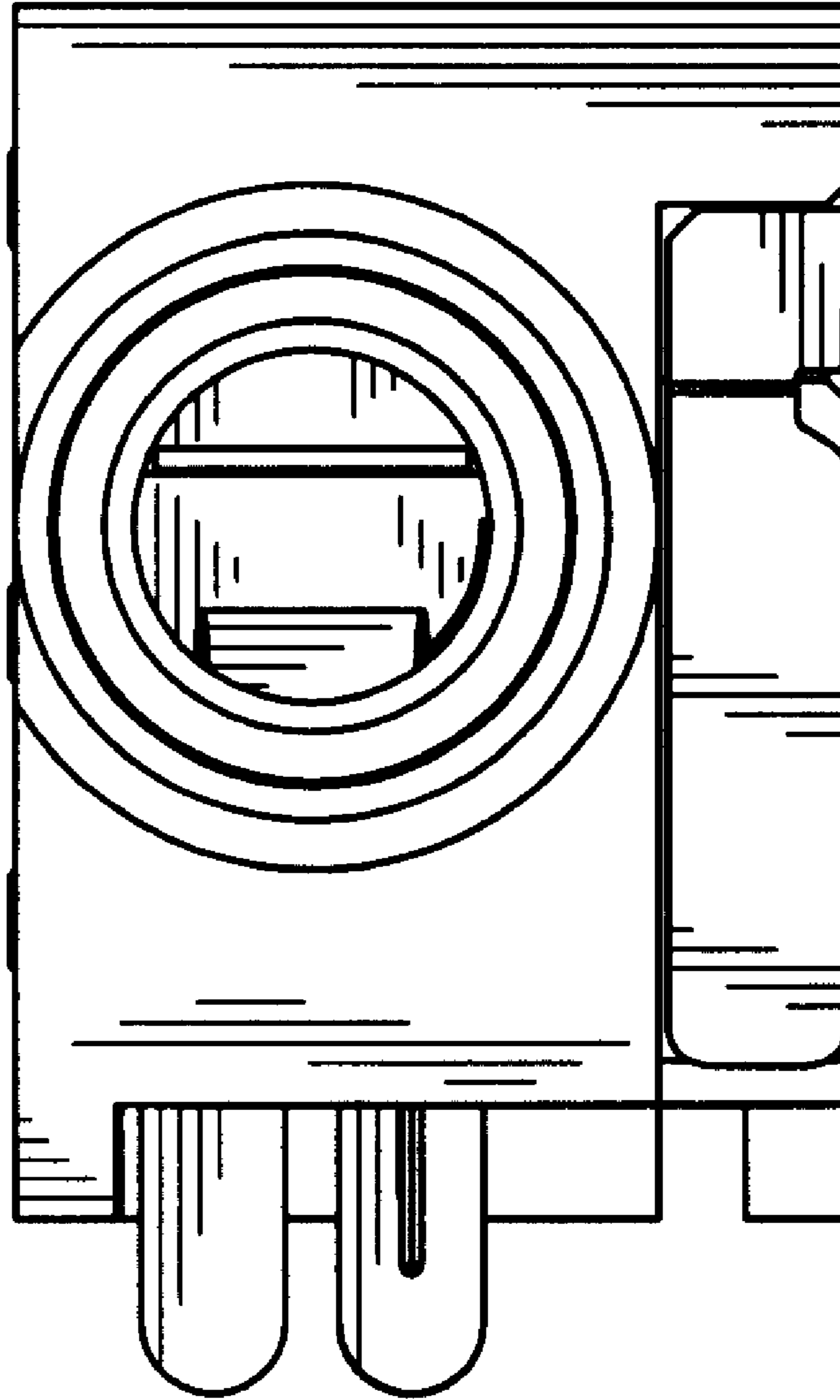


FIG. 2

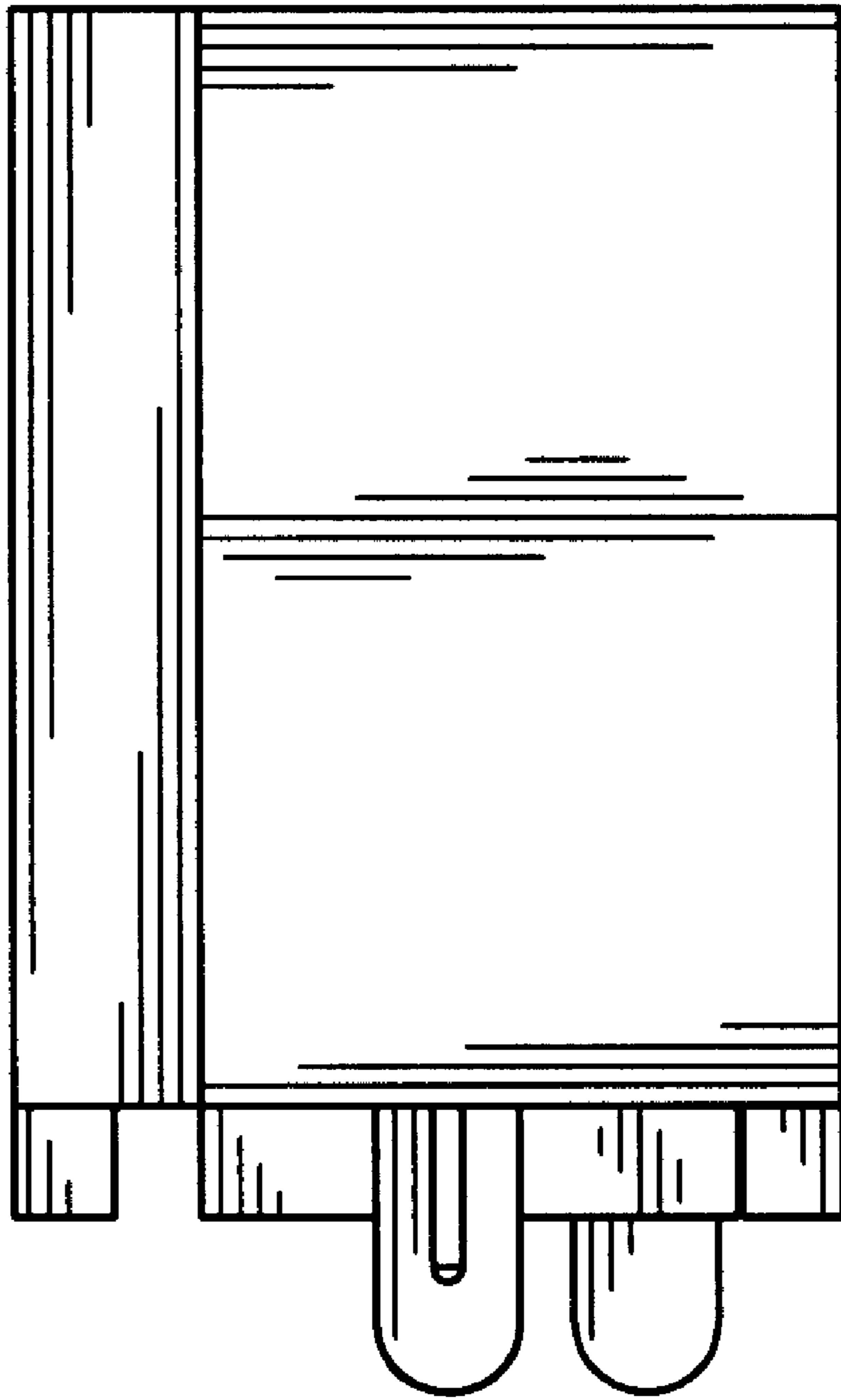


FIG. 3

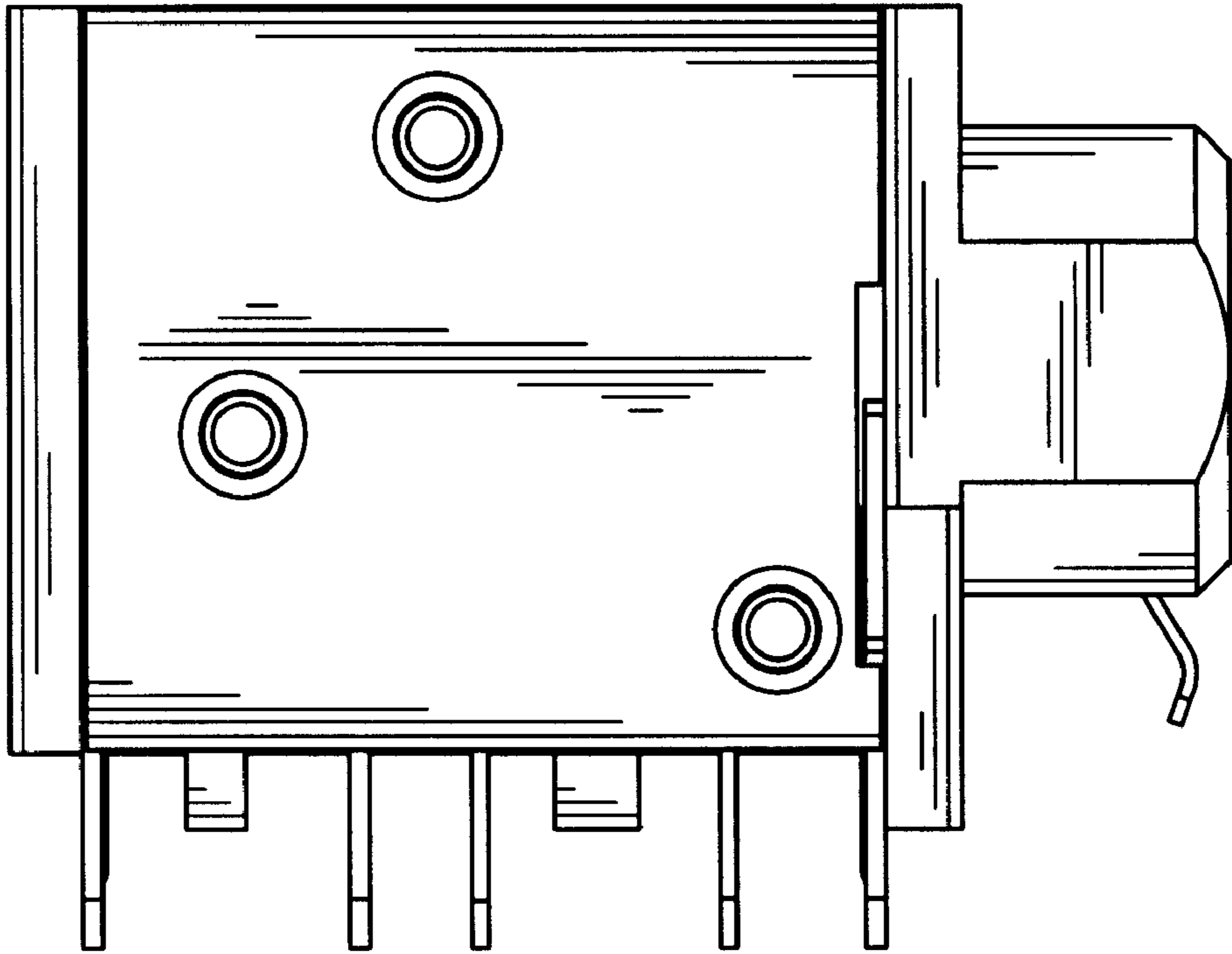


FIG. 4

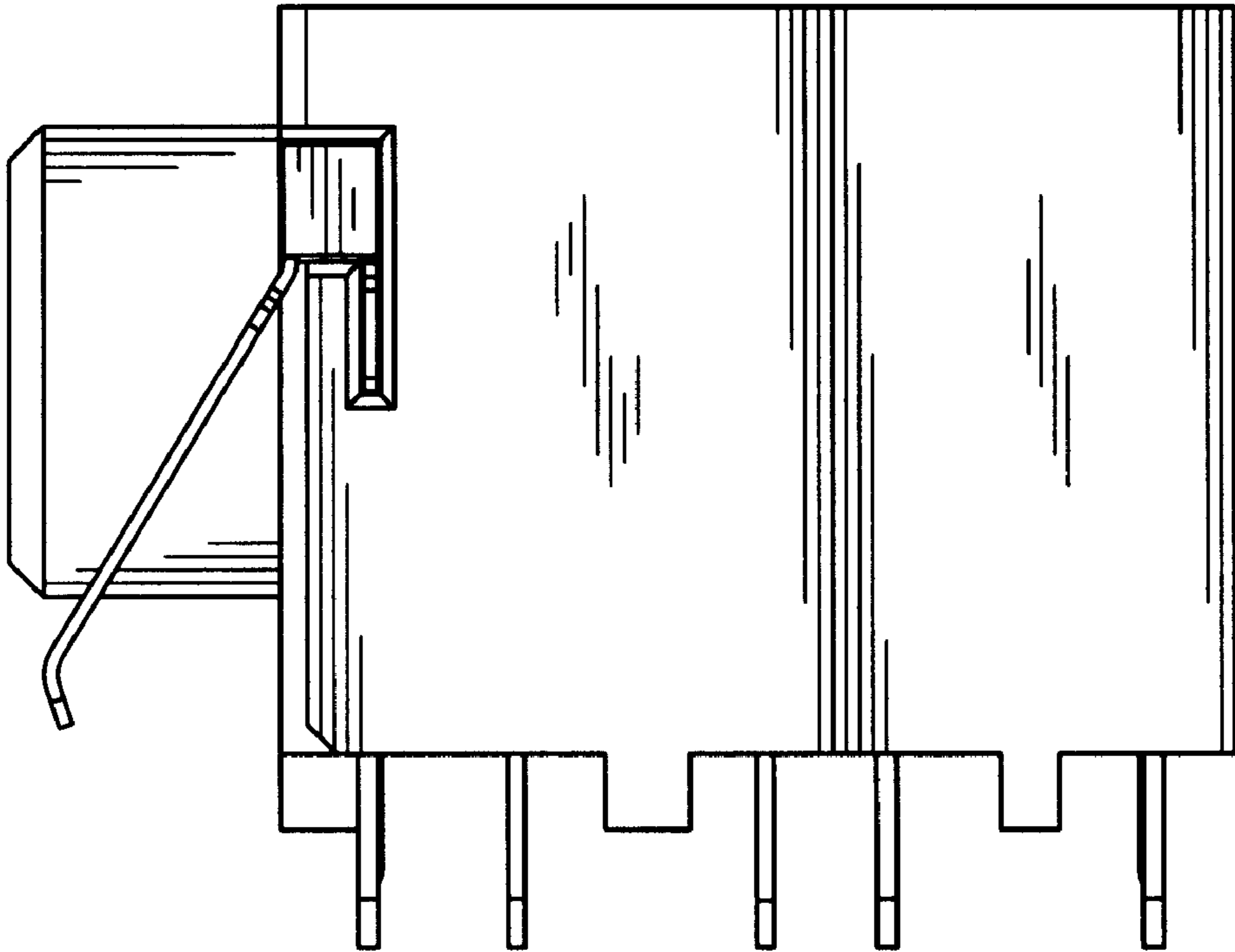


FIG. 5

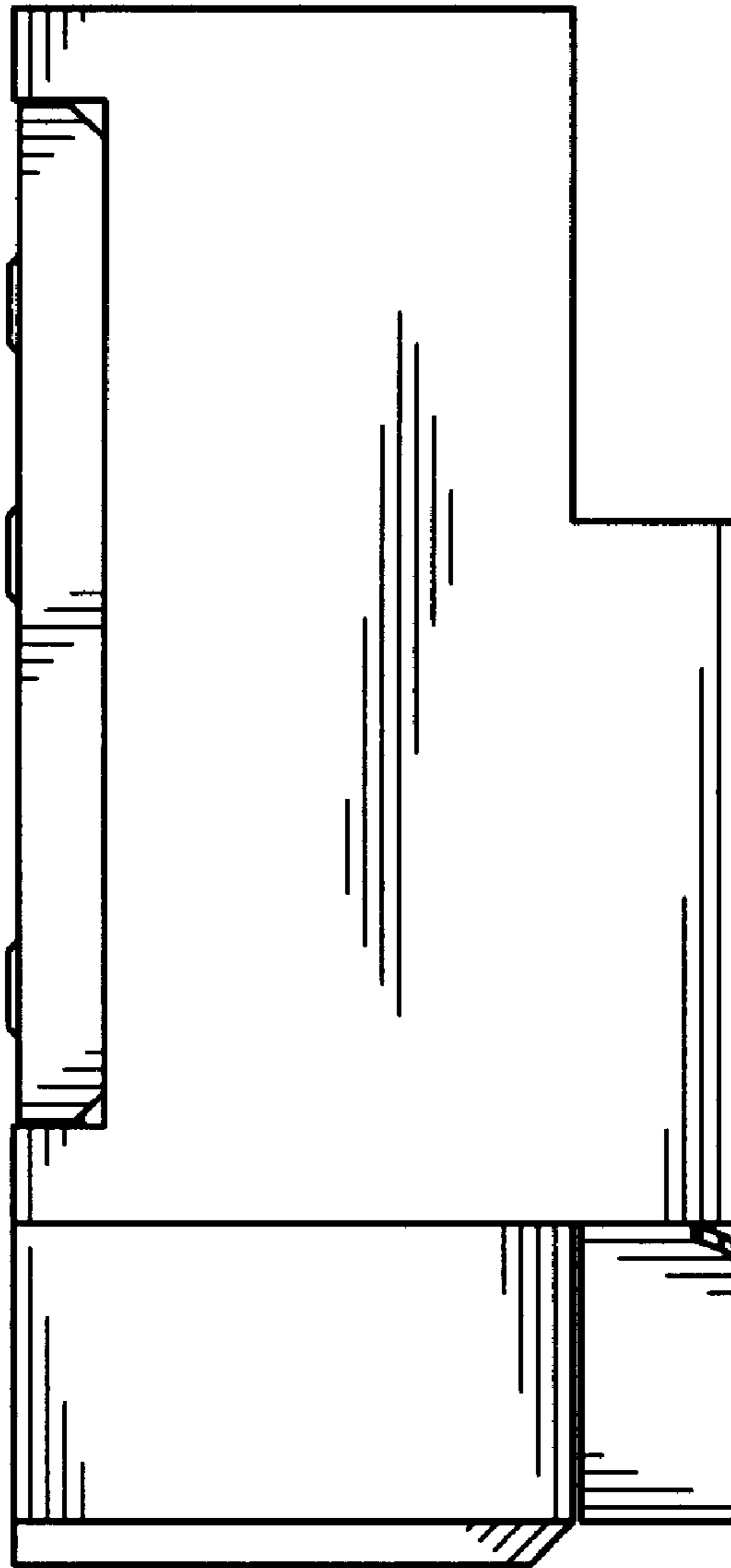


FIG. 6

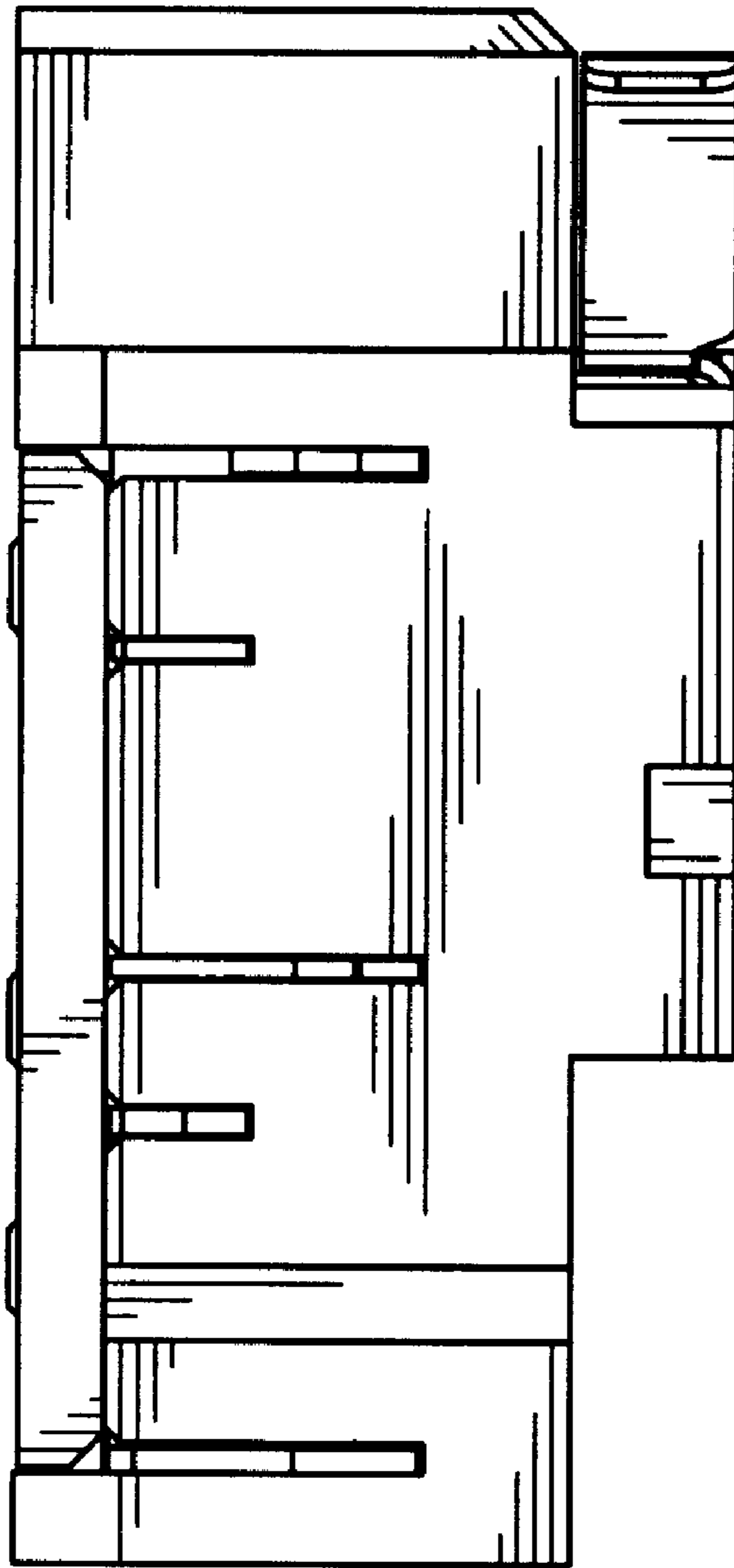


FIG. 7