



US00D432082S

United States Patent [19] Chang

[11] Patent Number: Des. 432,082

[45] Date of Patent: ** Oct. 17, 2000

[54] DOCKING BOX FOR MOBILE RACK

[76] Inventor: **Cheng-Chun Chang**, 11F-2, No. 11,
Lane 202, Jing-Shing Road, Wen-Shan
DT, Taipei, Taiwan

[**] Term: 14 Years

[21] Appl. No.: 29/114,556

[22] Filed: Nov. 29, 1999

[30] Foreign Application Priority Data

Nov. 10, 1999 [TW] Taiwan 88307380

[51] LOC (7) Cl. 13-02

[52] U.S. Cl. D13/123; D14/434

[58] Field of Search D13/123; D14/433,
D14/434, 357, 358, 356; 361/686; 439/639

[56] References Cited

U.S. PATENT DOCUMENTS

D. 328,595 8/1992 Lou D14/438

D. 331,395 12/1992 Lou D14/357

D. 338,193 8/1993 Sasaki D14/433

D. 352,499 11/1994 Rak D13/147

D. 367,039 2/1996 Loh D13/147

D. 401,909 12/1998 Richman et al. D13/162.1

D. 413,323 8/1999 Tashiro D14/357

5,290,178 3/1994 Ma 361/686 X

Primary Examiner—Joel Sincavage
Attorney, Agent, or Firm—Dougherty & Troxell

[57] CLAIM

The ornamental design for a docking box for mobile rack, as shown and described.

DESCRIPTION

FIG. 1 is a front elevational view of docking box for mobile rack showing my design;

FIG. 2 is a left side view thereof;

FIG. 3 is a top elevational view thereof;

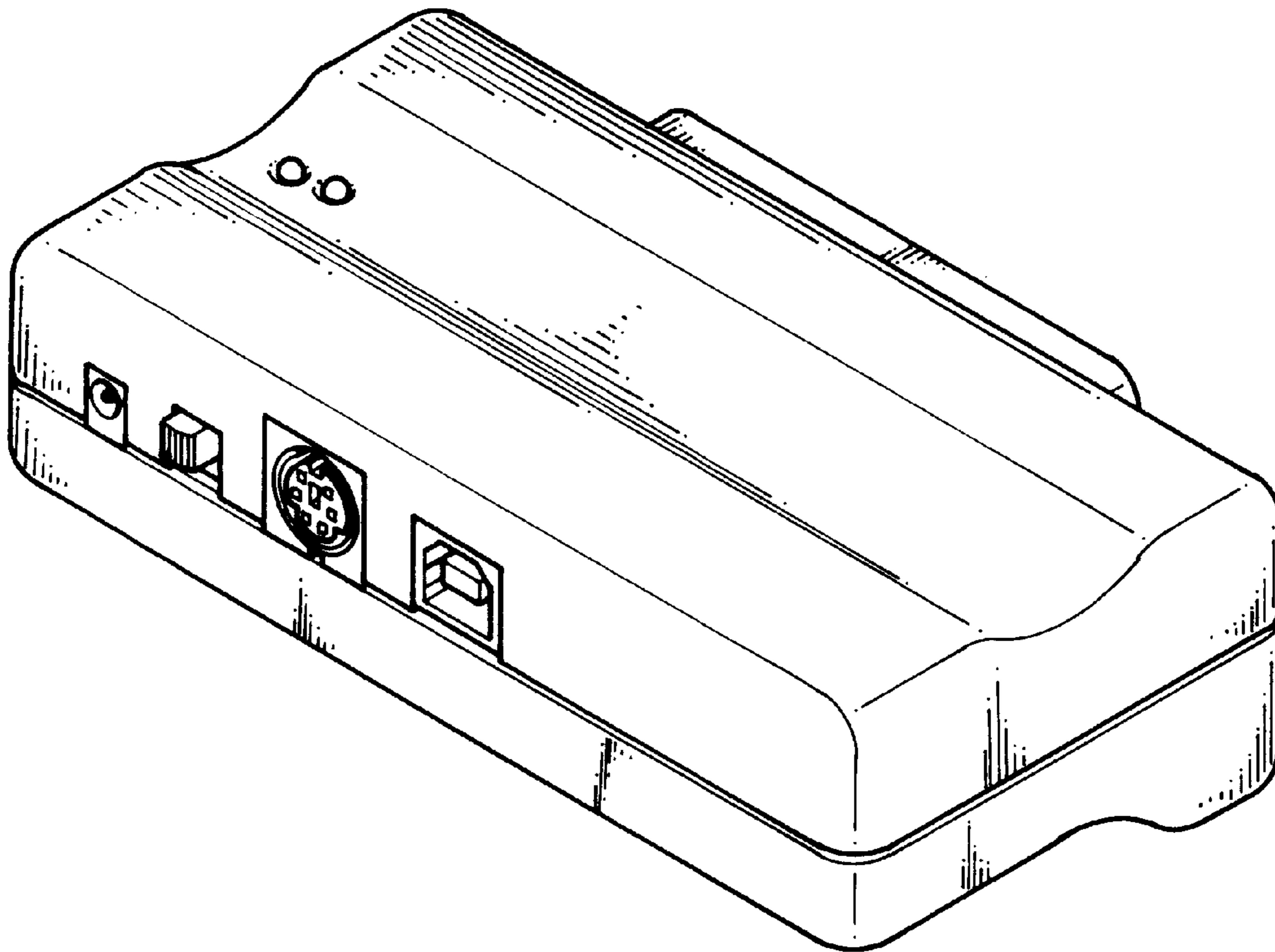
FIG. 4 is a rear elevational view thereof;

FIG. 5 is a bottom elevational view thereof;

FIG. 6 is a right side view thereof; and,

FIG. 7 is a perspective view thereof.

1 Claim, 3 Drawing Sheets



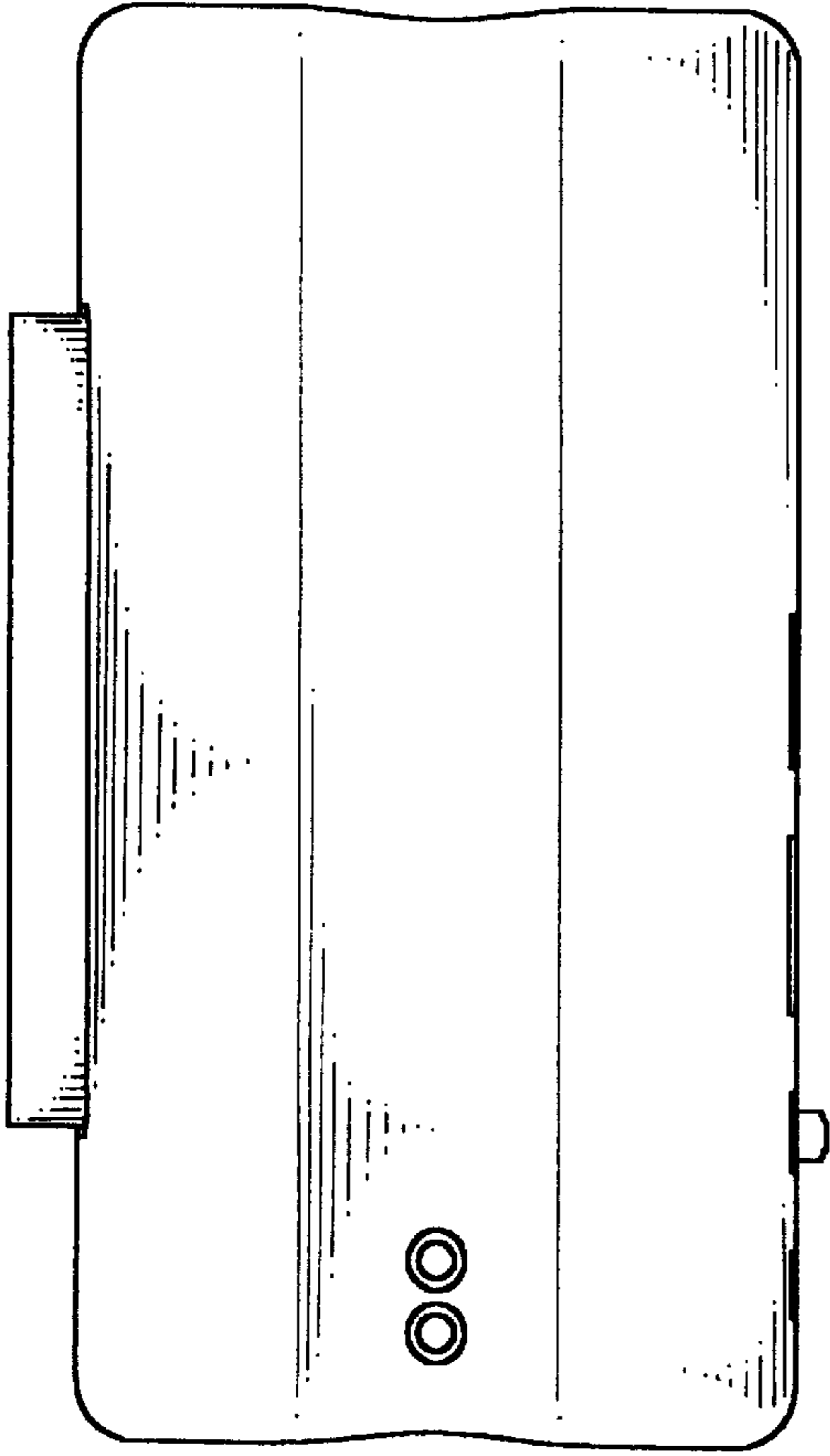


FIG. 3

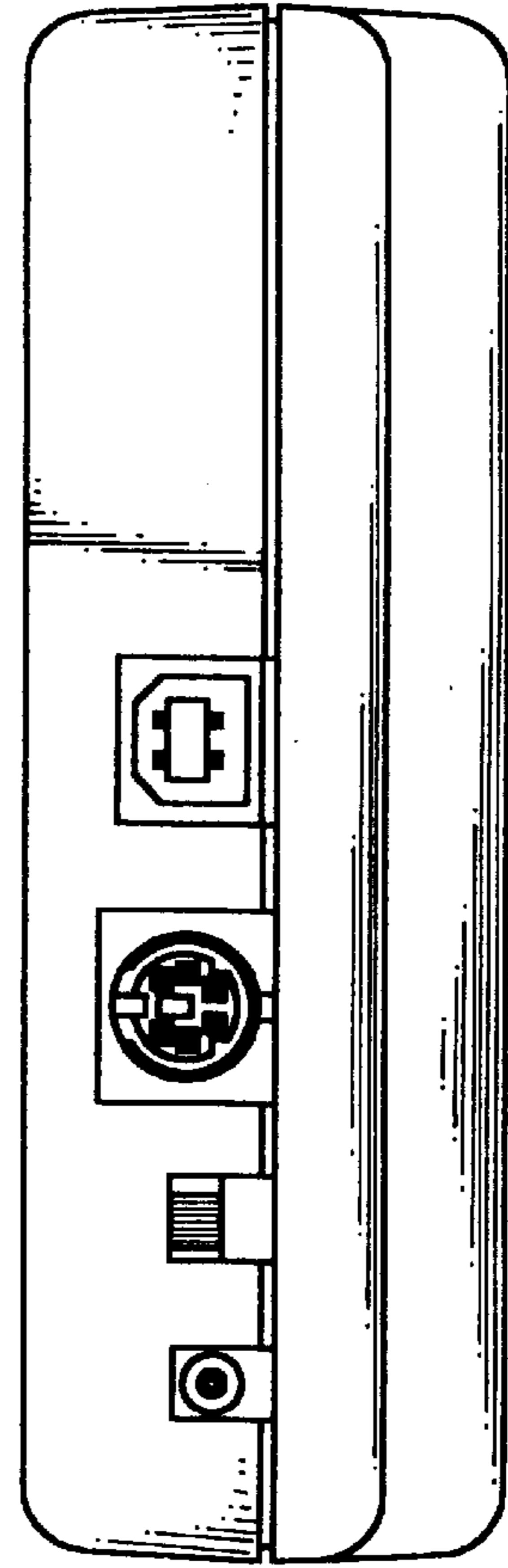


FIG. 1

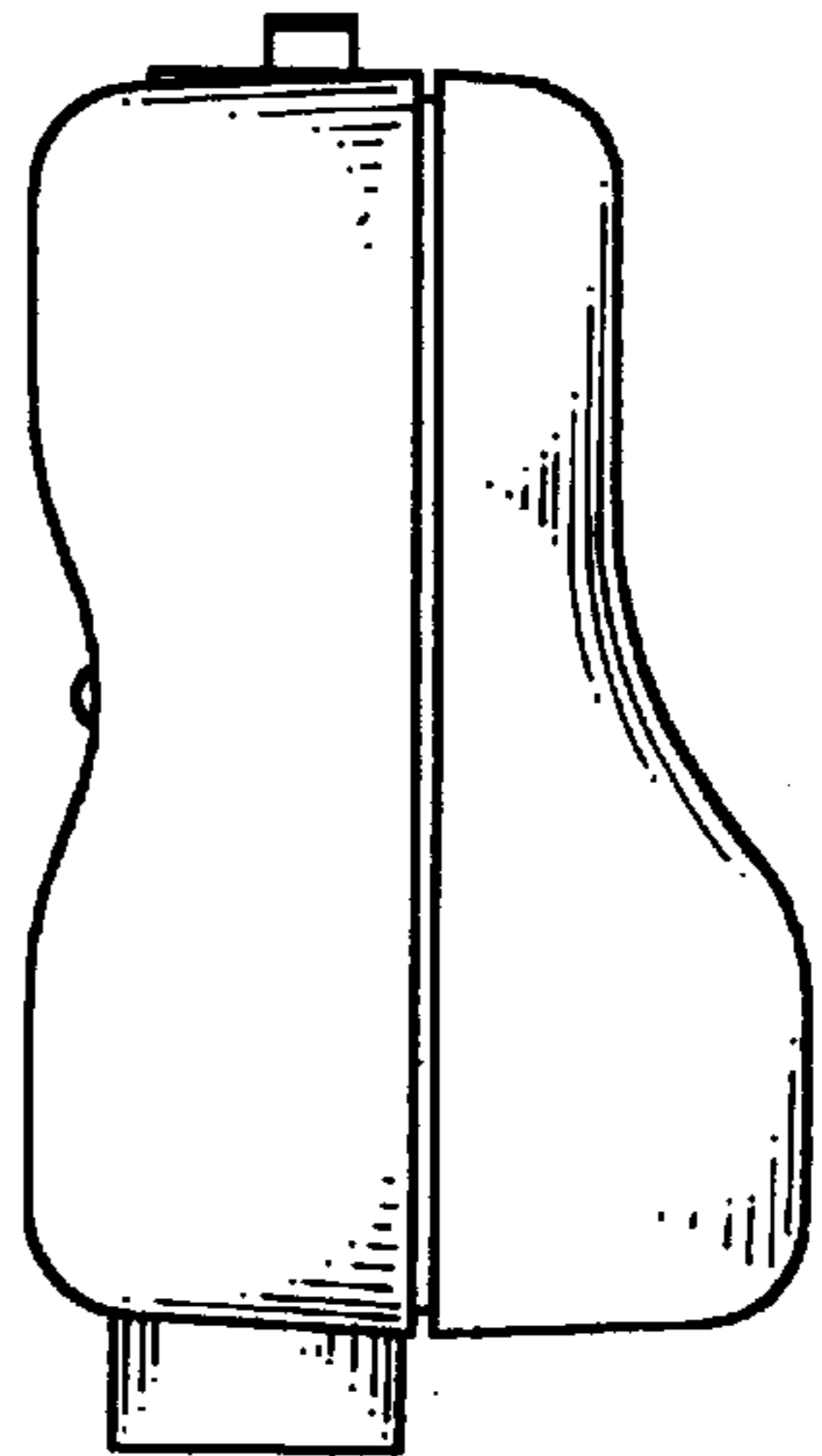


FIG. 2

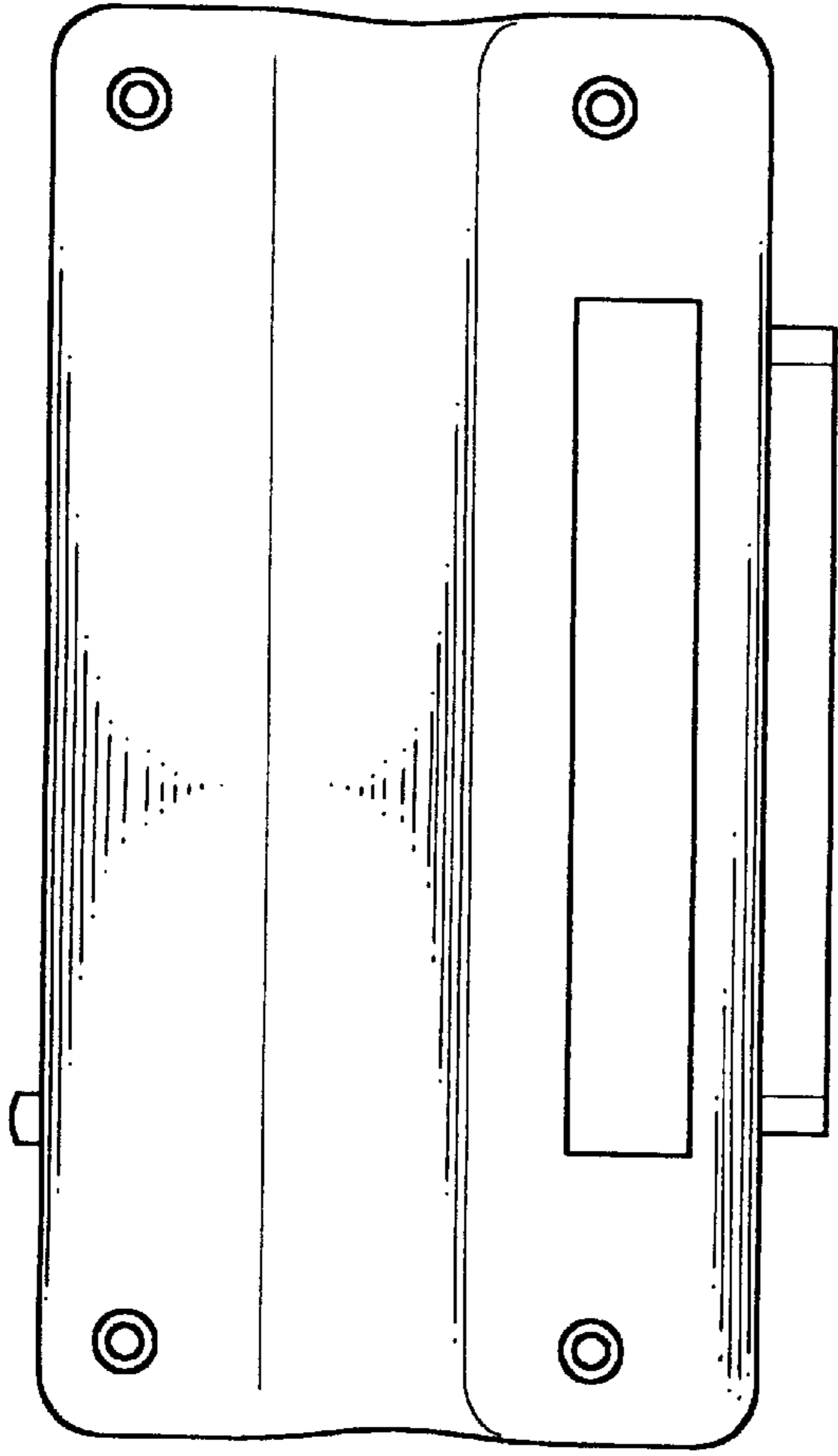


FIG. 5

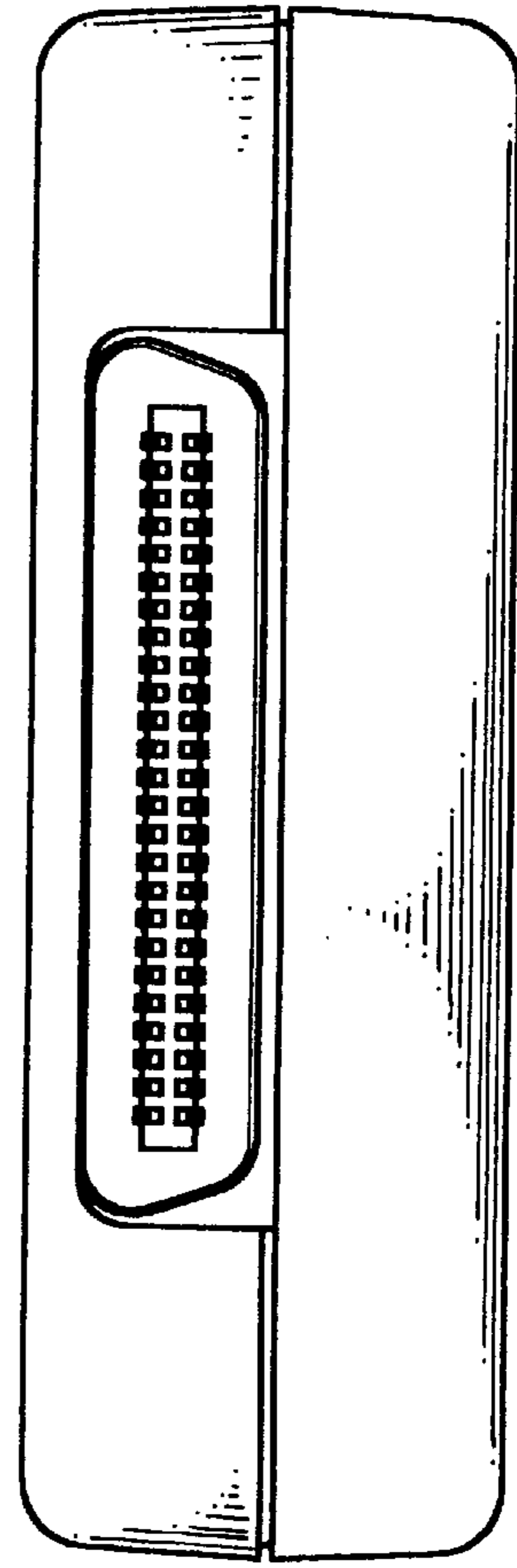


FIG. 4

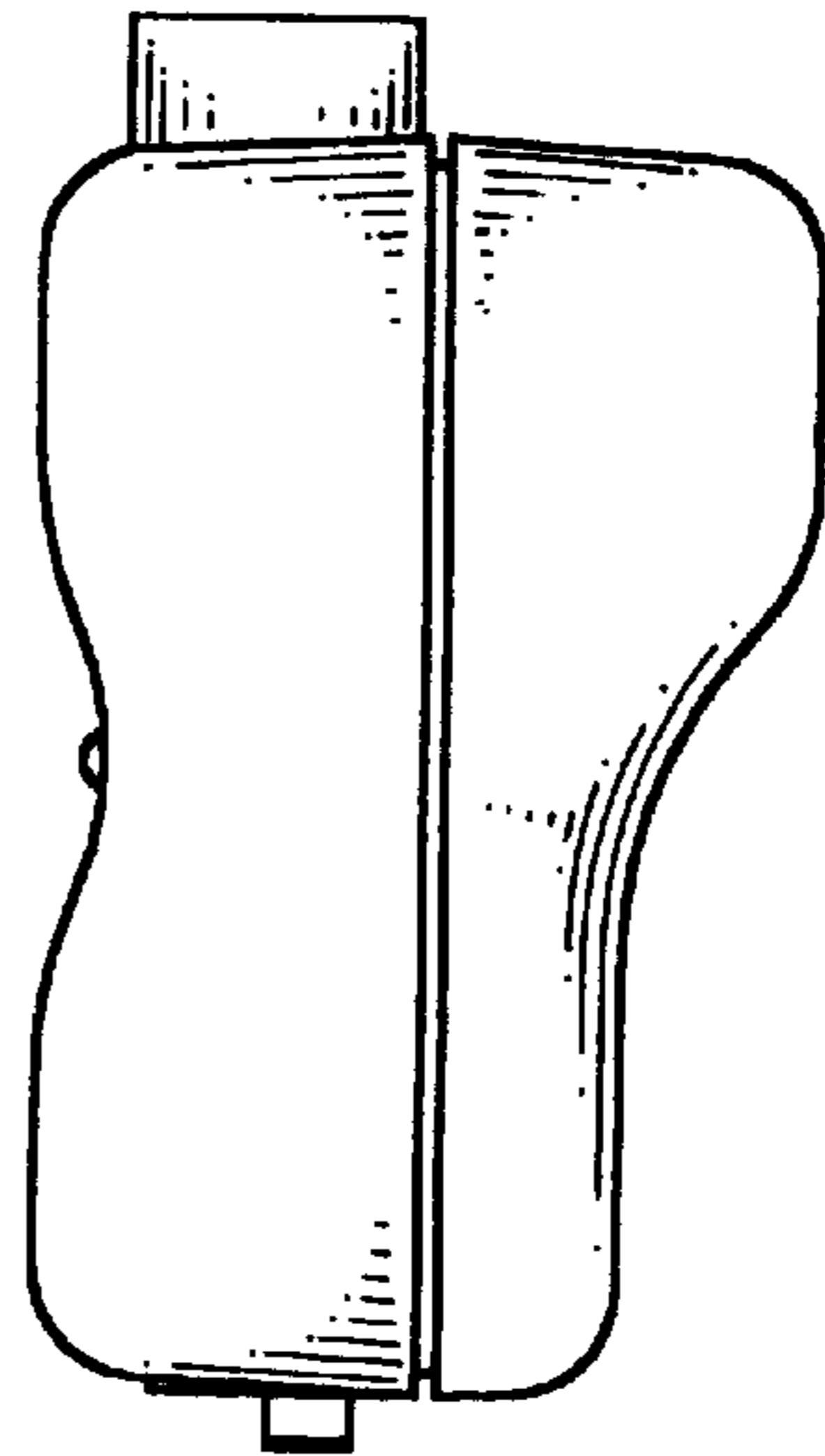


FIG. 6

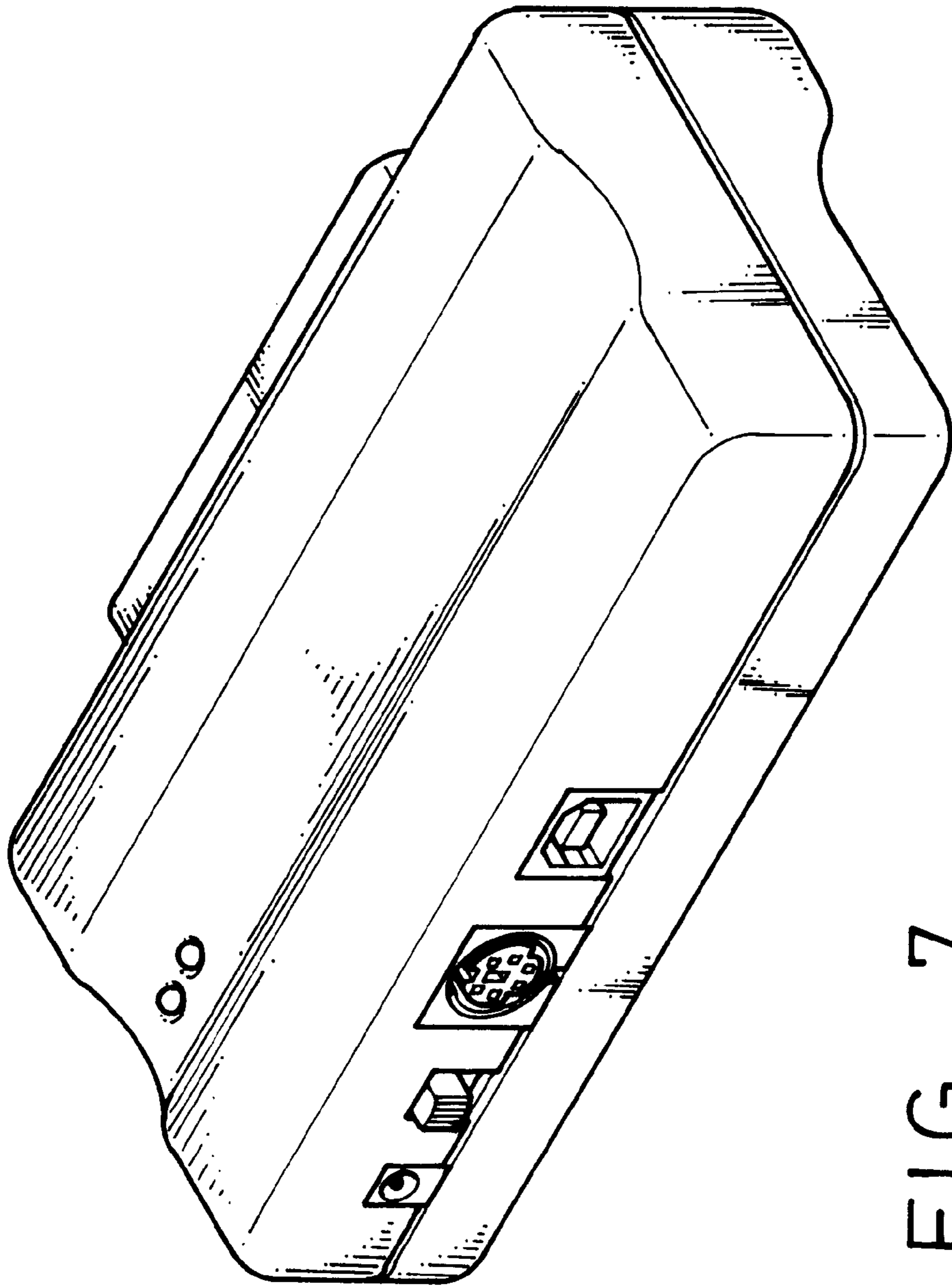


FIG. 7