

US00D432079S

# United States Patent [19]

Matthes et al.

[11] **Patent Number: Des. 432,079**

[45] **Date of Patent: \*\* Oct. 17, 2000**

[54] **WALL-MOUNTED BATTERY UNIT**

[75] Inventors: **John Matthes**, Southlake; **Dennis Walker**, Richardson; **Jeff Nesadny**, Dallas, all of Tex.

[73] Assignee: **Marconi Communications, Inc.**, Cleveland, Ohio

[\*\*] Term: **14 Years**

[21] Appl. No.: **29/120,167**

[22] Filed: **Mar. 13, 2000**

[51] **LOC (7) Cl.** ..... **13-02**

[52] **U.S. Cl.** ..... **D13/103**

[58] **Field of Search** ..... D13/103, 118;  
429/96-100, 157, 163, 175

[56] **References Cited**

**U.S. PATENT DOCUMENTS**

- D. 229,195 11/1973 Goodale et al. .... D13/103
- D. 407,686 4/1999 Read ..... D13/110

*Primary Examiner*—Joel Sincavage  
*Attorney, Agent, or Firm*—Jones, Day, Reavis & Pogue

[57] **CLAIM**

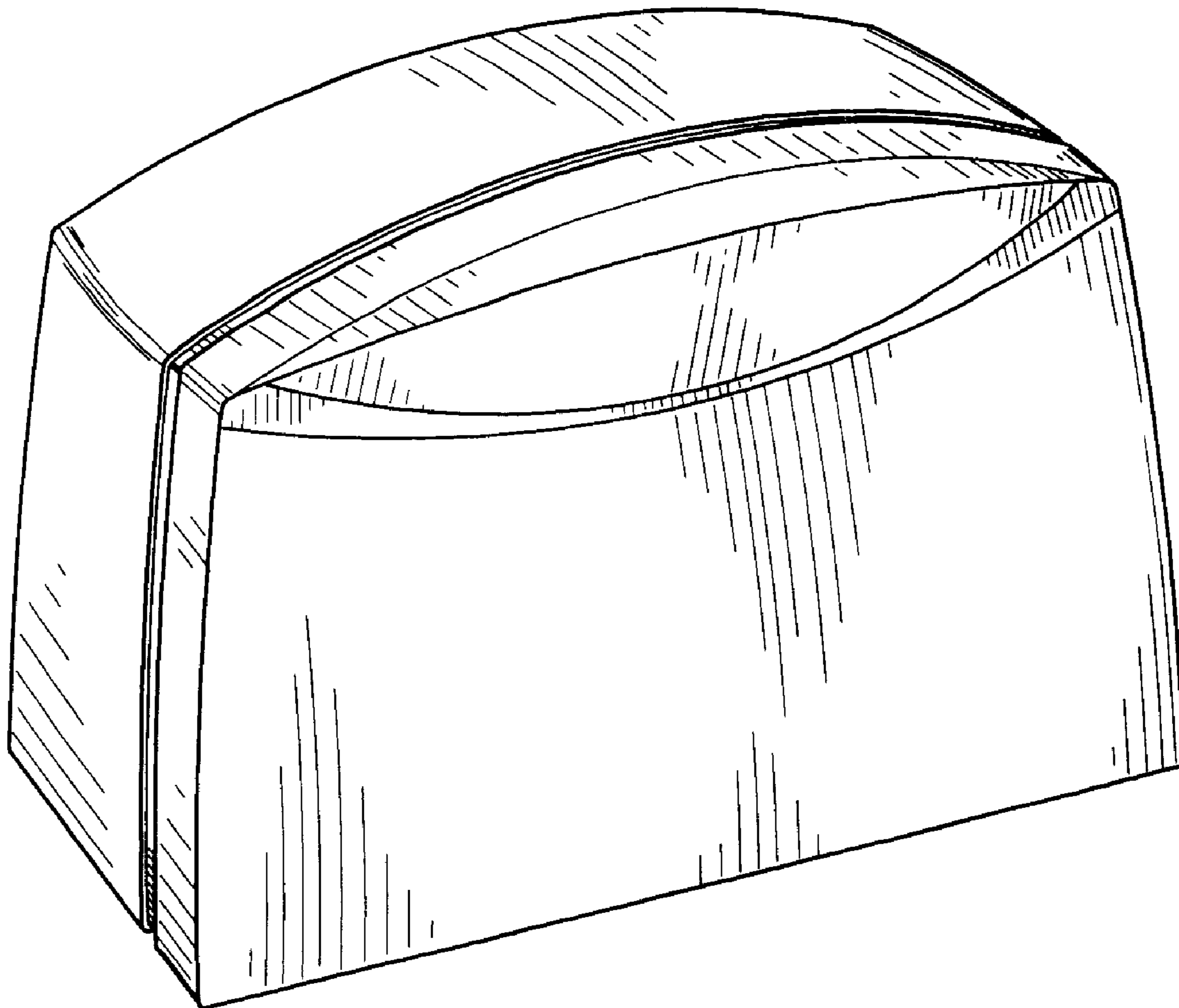
We claim the ornamental design for a wall-mounted battery unit, as shown and described.

**DESCRIPTION**

FIG. 1 is an isometric view of a wall-mounted battery unit embodying the ornamental design of the present invention; FIG. 2 is a front view of the wall-mounted battery unit of FIG. 1; FIG. 3 is a rear view of the wall-mounted battery unit of FIG. 1; FIG. 4 is a side view of the wall-mounted battery unit of FIG. 1; the opposite side view being a mirror image; FIG. 5 is a top view of the wall-mounted battery unit of FIG. 1; and, FIG. 6 is a bottom view of the wall-mounted battery unit of FIG. 1.

The broken line showings of FIGS. 1-6 are for illustrative purposes only and form no part of the claimed design.

**1 Claim, 2 Drawing Sheets**



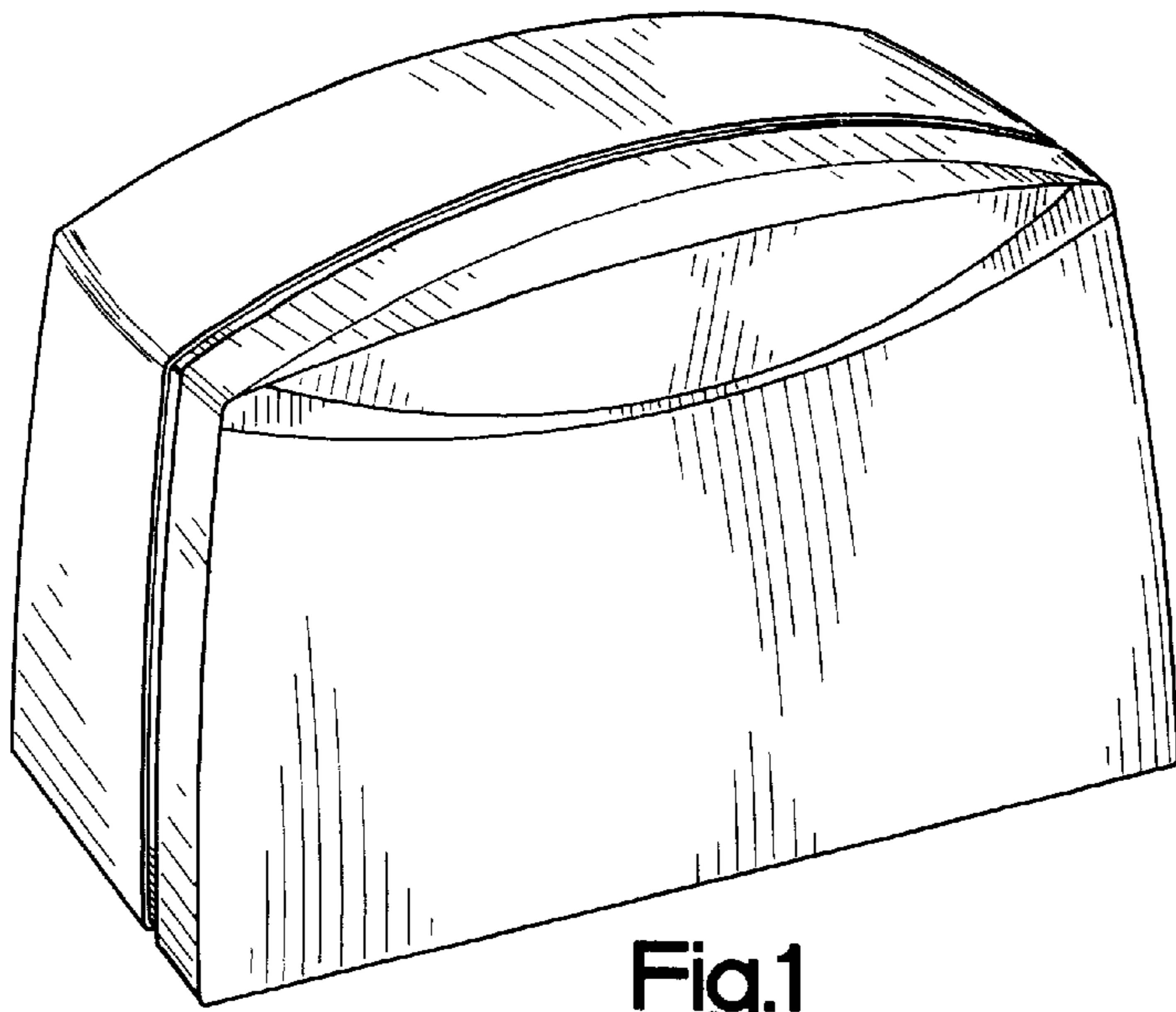


Fig.1

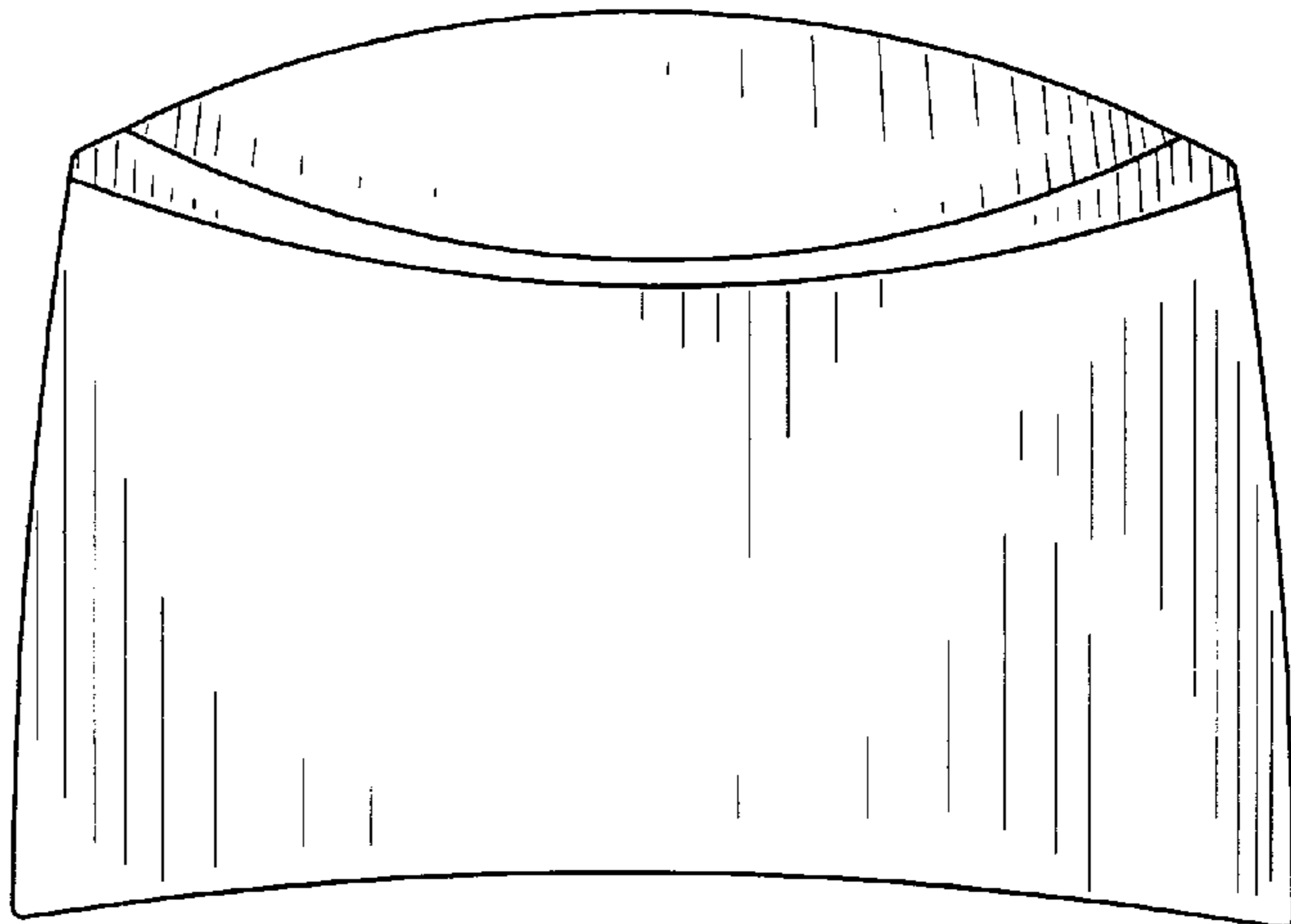


Fig.2

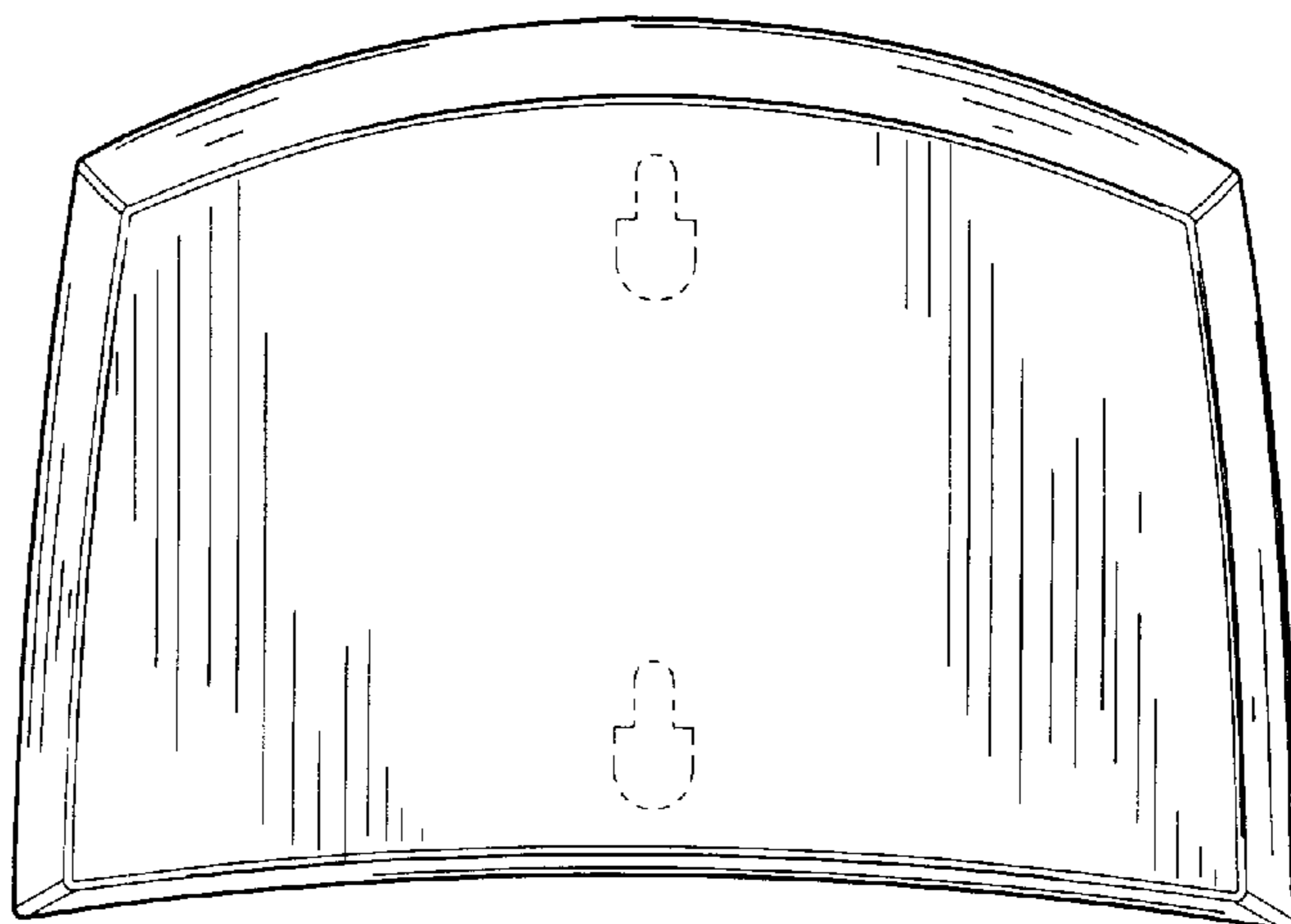


Fig.3

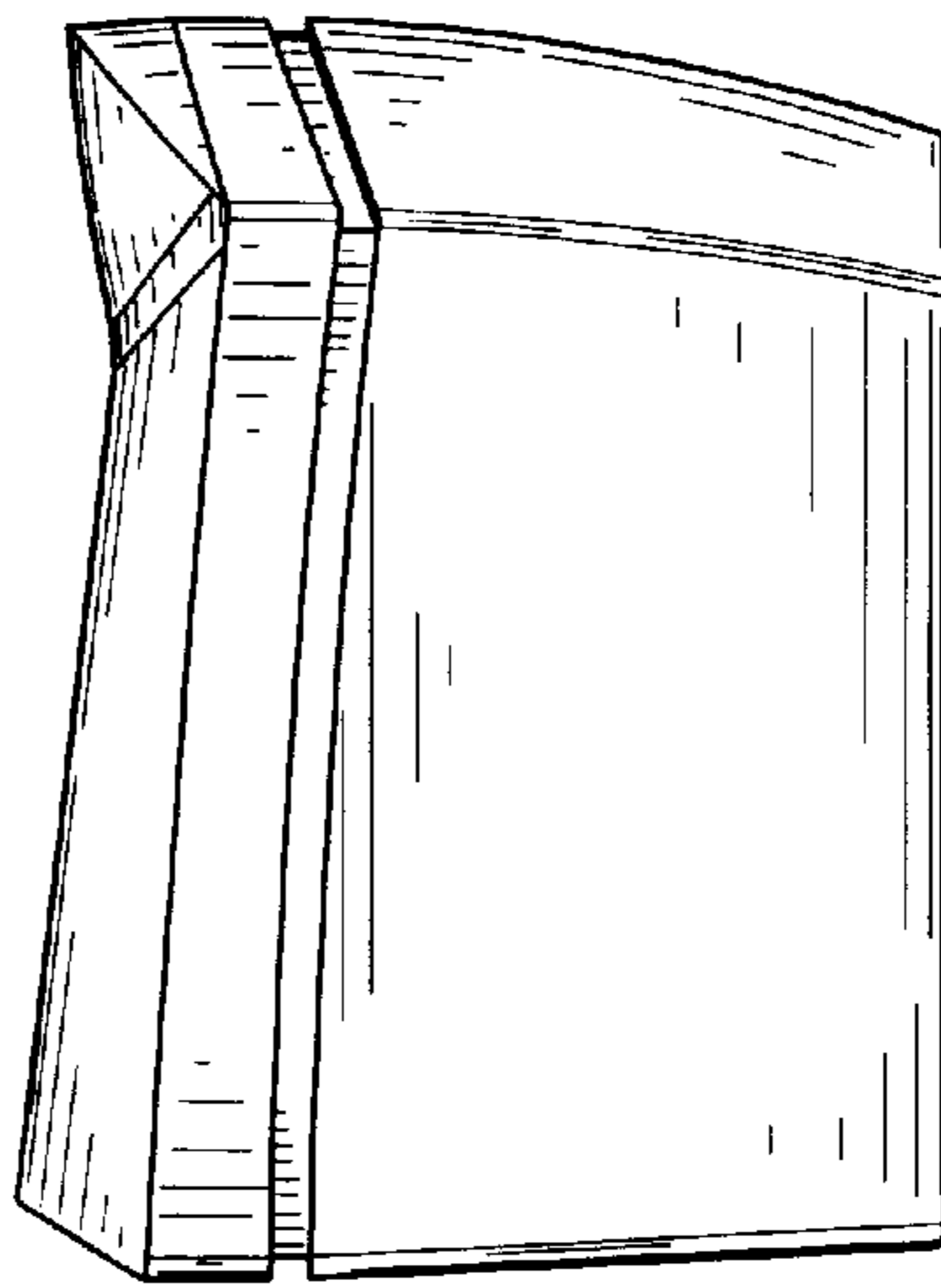


Fig.4

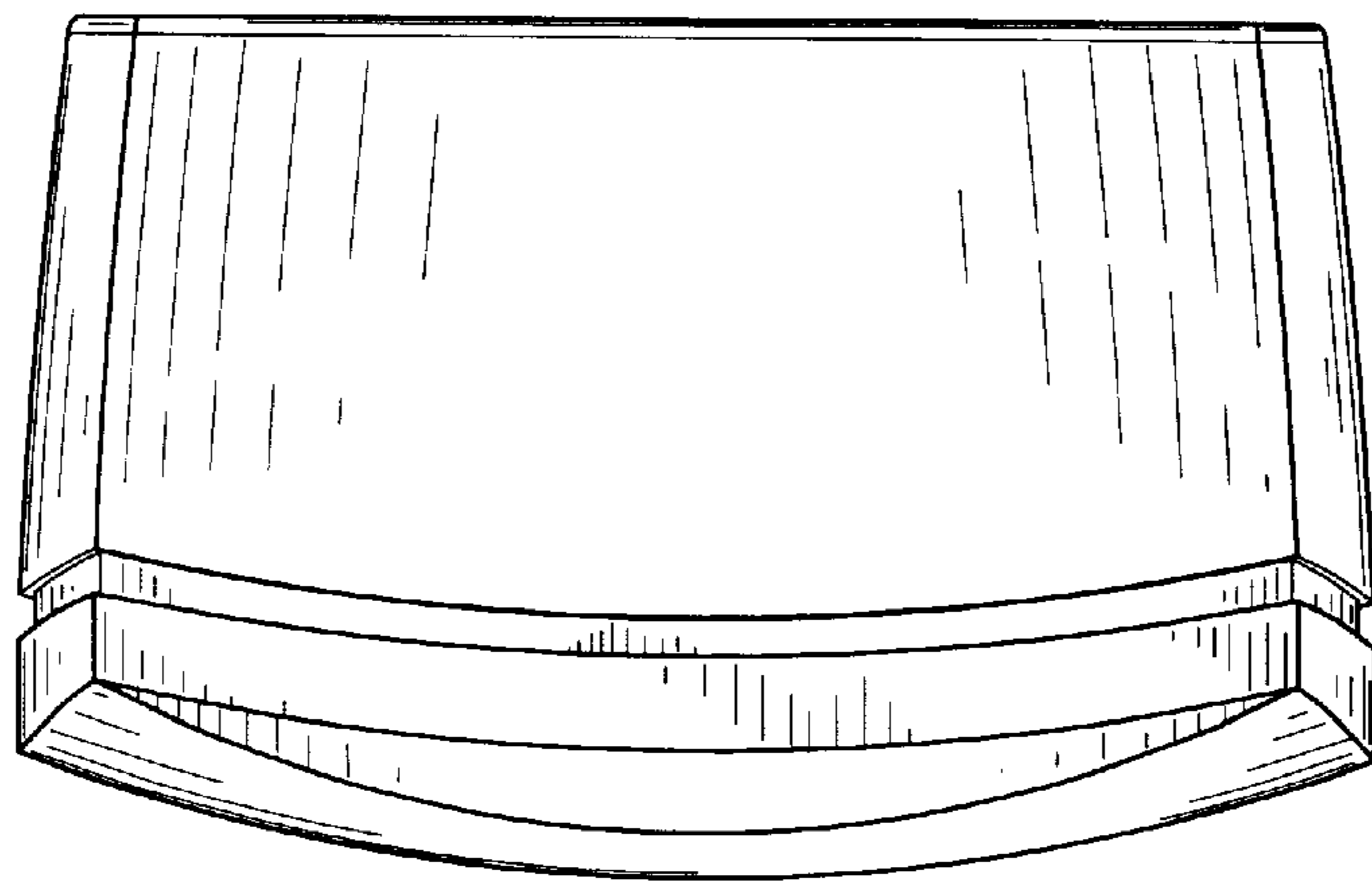


Fig.5

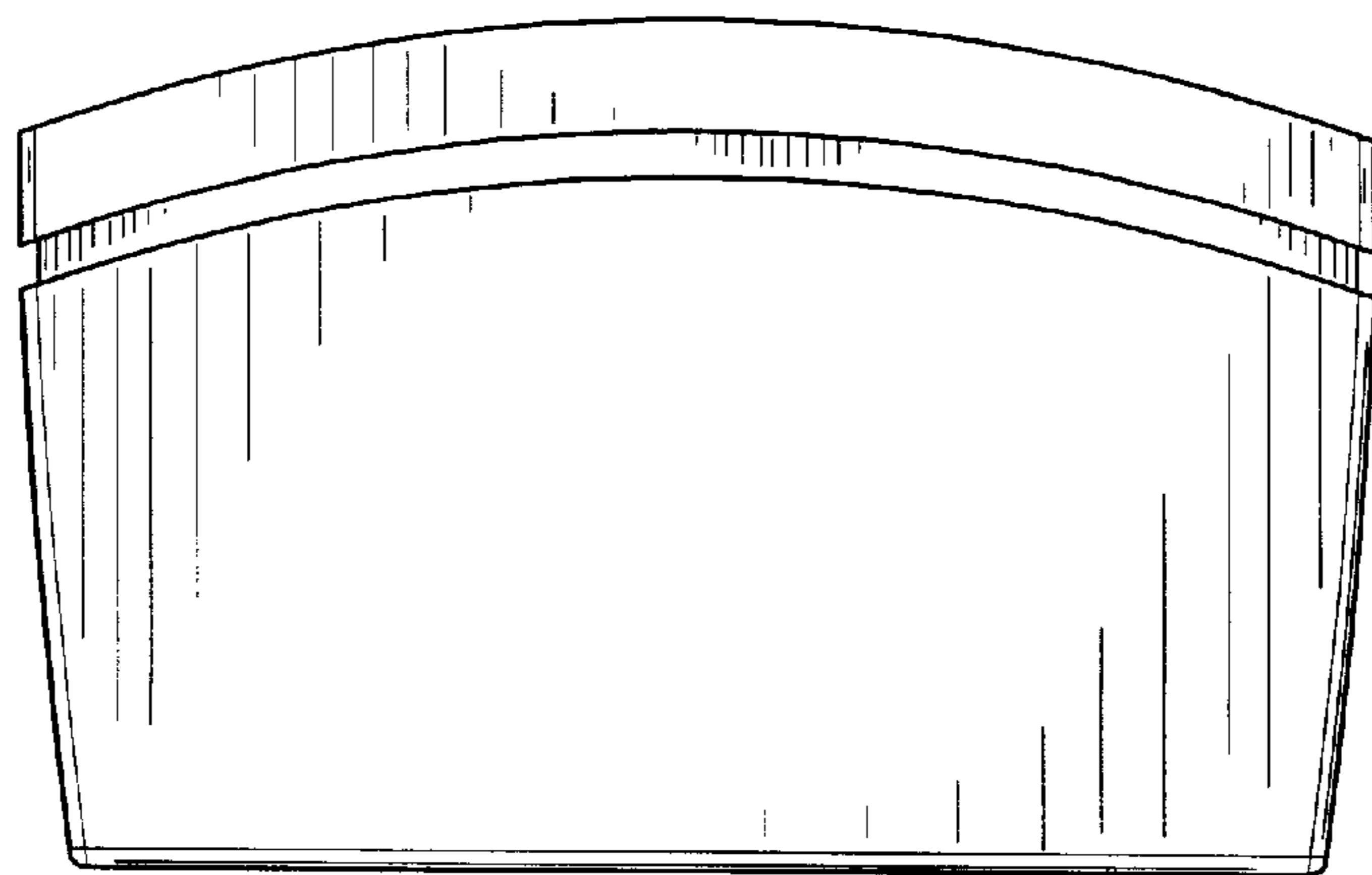


Fig.6