

US00D432078S

United States Patent [19] Chen

[11] **Patent Number: Des. 432,078**

[45] **Date of Patent: ** Oct. 17, 2000**

[54] **BATTERY**

[76] Inventor: **Lao-Chen Chen**, No. 10, Lane 441,
Chun-Shan Rd., Jen-Te Hsiang, Tainan
Hsien, Taiwan

[**] Term: **14 Years**

[21] Appl. No.: **29/118,753**

[22] Filed: **Feb. 14, 2000**

[51] **LOC (7) Cl.** **13-02**

[52] **U.S. Cl.** **D13/103**

[58] **Field of Search** D13/103, 104,
D13/119; 429/96-100, 157, 163, 175

[56] **References Cited**

U.S. PATENT DOCUMENTS

- D. 346,584 5/1994 Taniguchi D13/119
- D. 373,755 9/1996 Chen D13/103
- D. 394,841 6/1998 Hashimoto et al. D13/103

- D. 412,153 7/1999 Chen D13/103
- D. 419,131 1/2000 Andrews et al. D13/103
- D. 419,132 1/2000 Suzuki et al. D13/104

Primary Examiner—Joel Sincavage
Attorney, Agent, or Firm—Darby & Darby

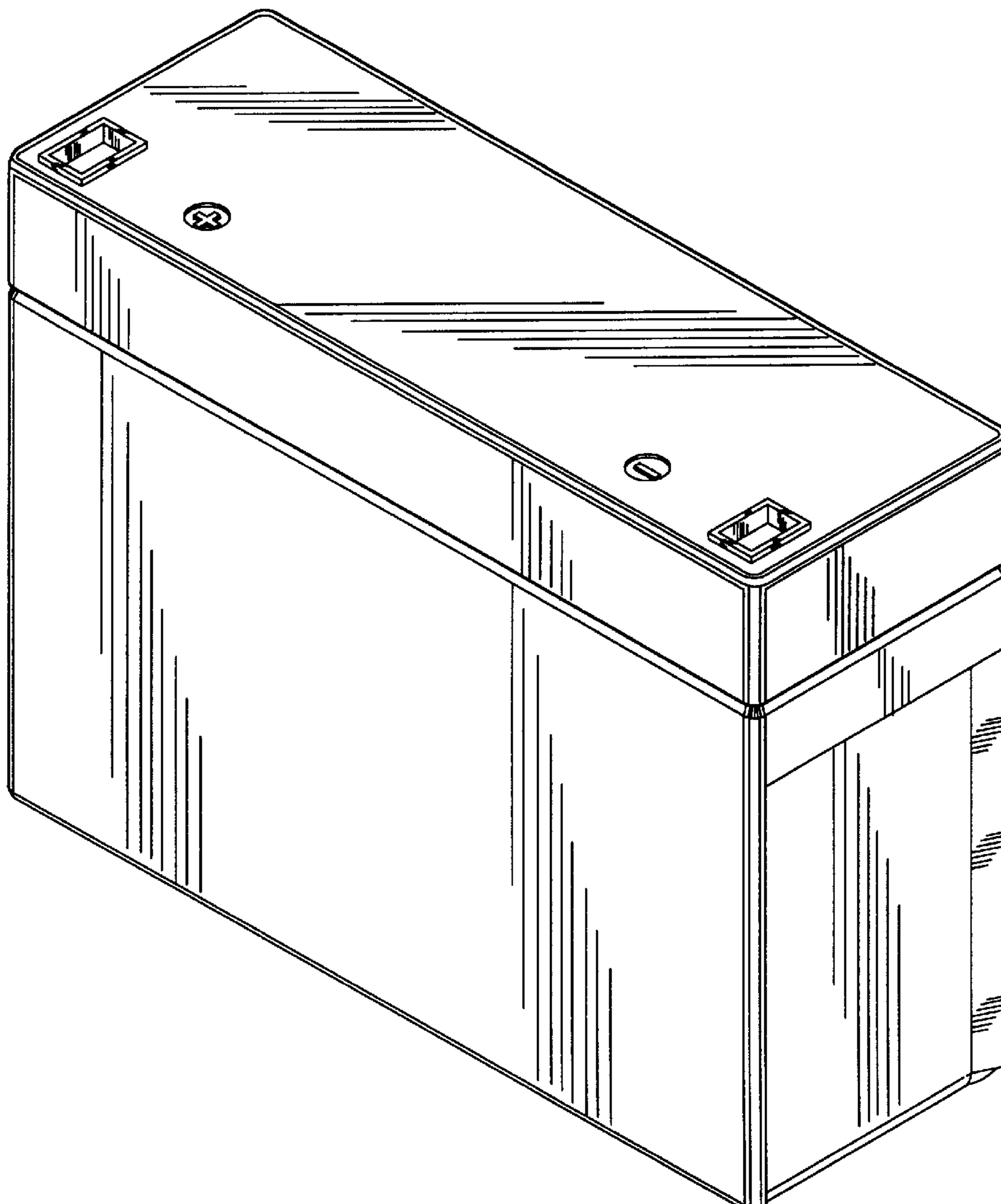
[57] **CLAIM**

The ornamental design for battery, as shown and described.

DESCRIPTION

FIG. 1 is a perspective view of battery showing my new design;
FIG. 2 is a front elevational view thereof;
FIG. 3 is a rear elevational view thereof;
FIG. 4 is a left side elevational view thereof;
FIG. 5 is a right side elevational view thereof;
FIG. 6 is a top plan view thereof; and,
FIG. 7 is a bottom plan view thereof.

1 Claim, 4 Drawing Sheets



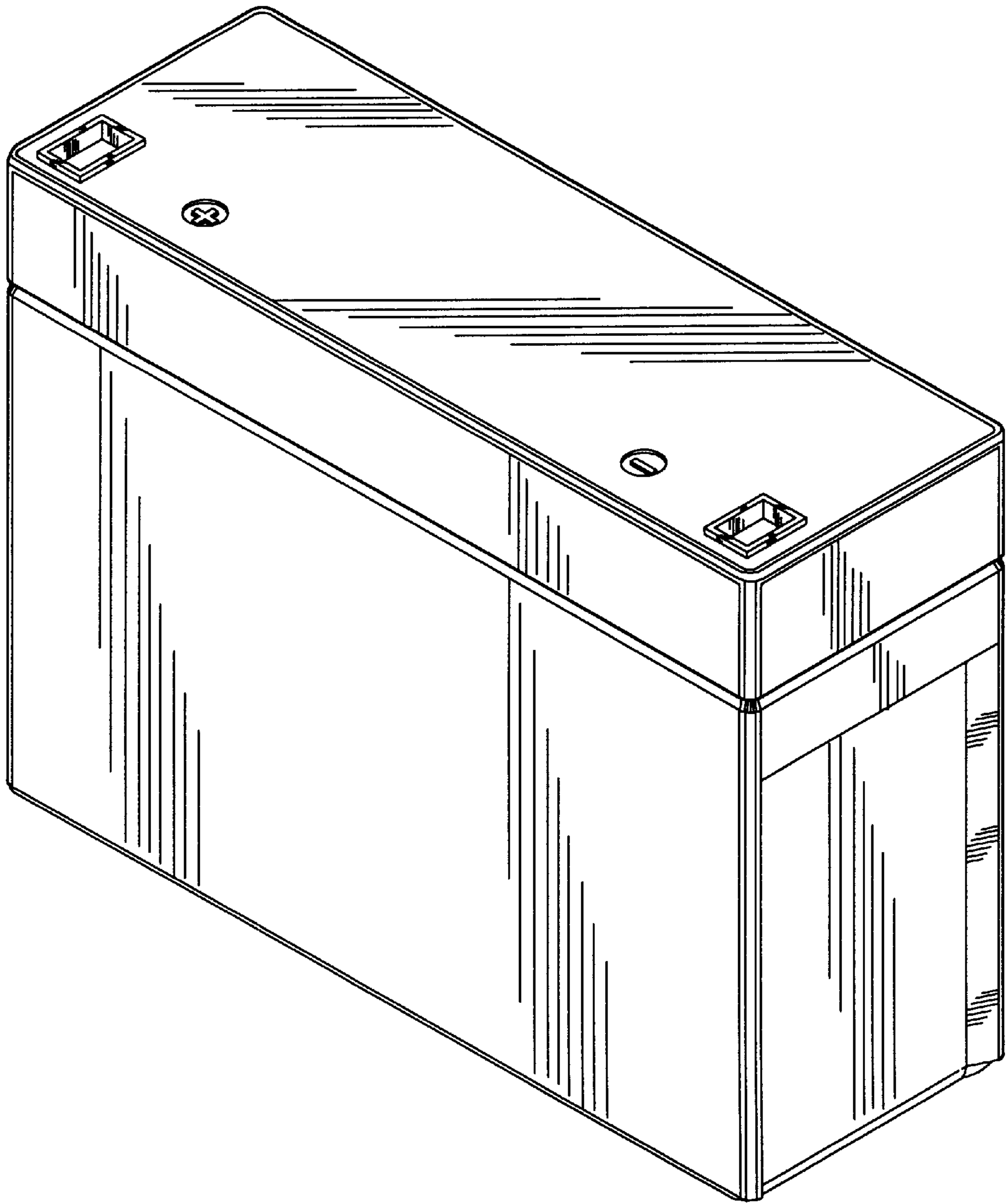


FIG. 1

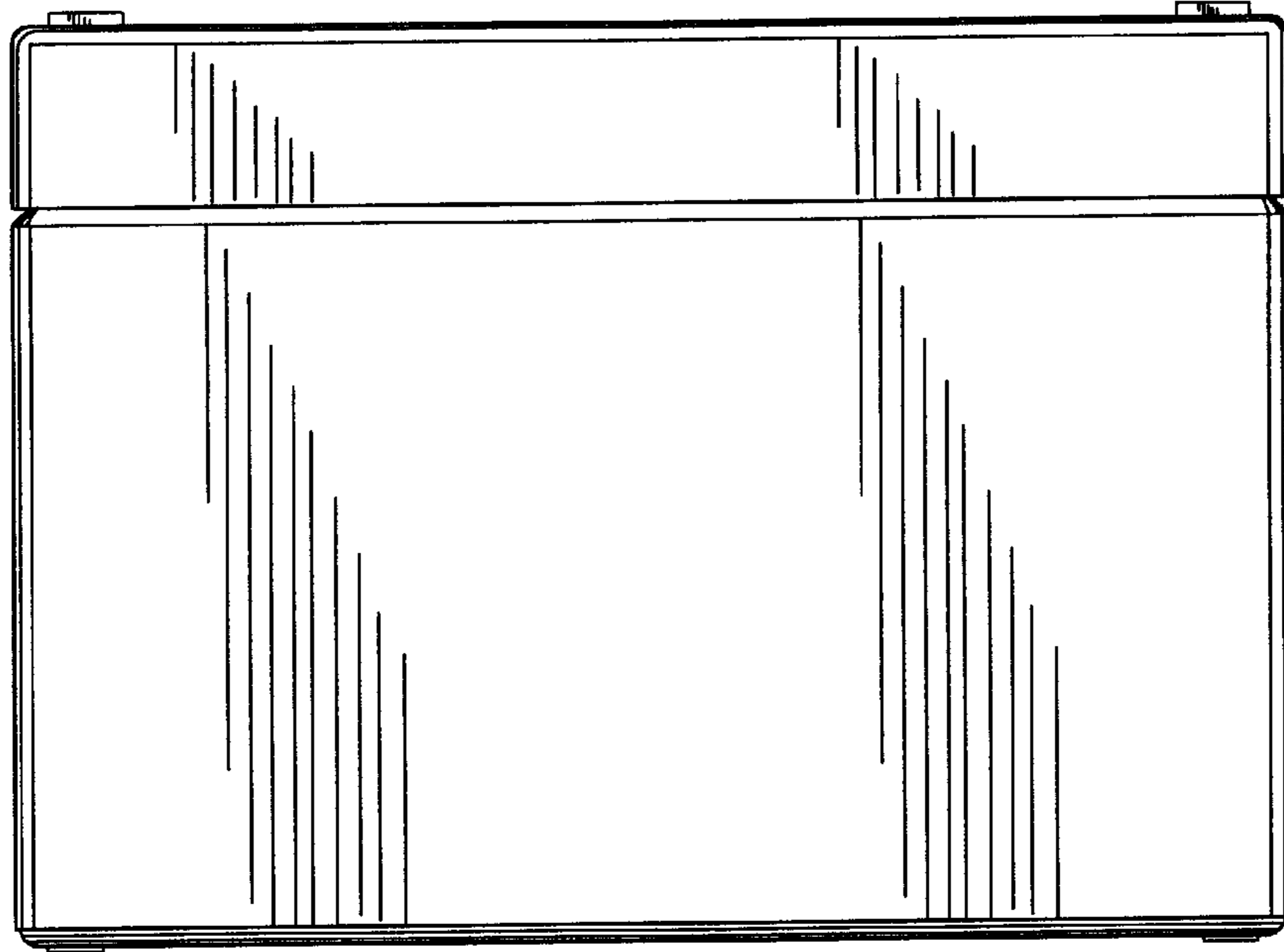


FIG. 2

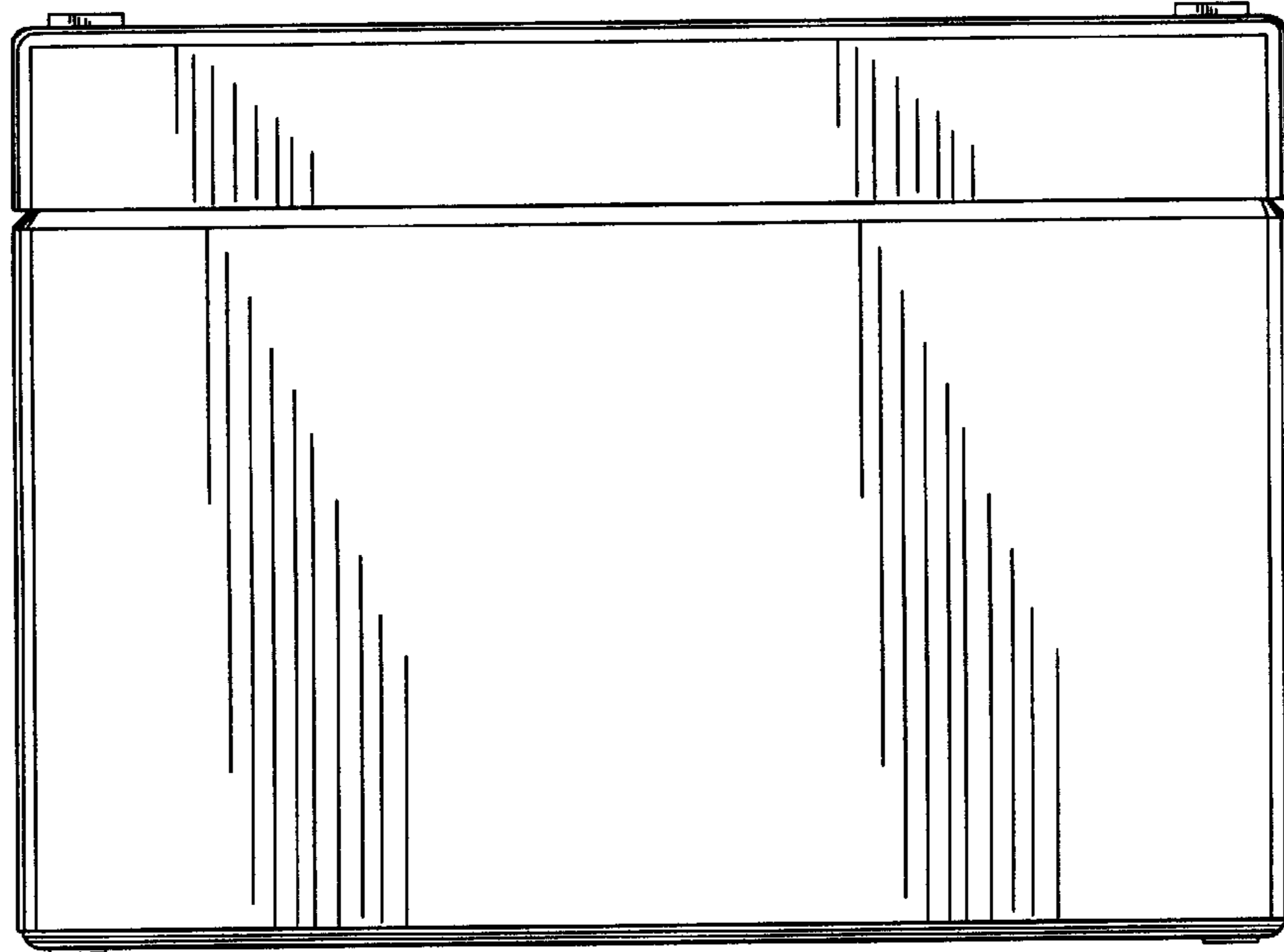


FIG. 3

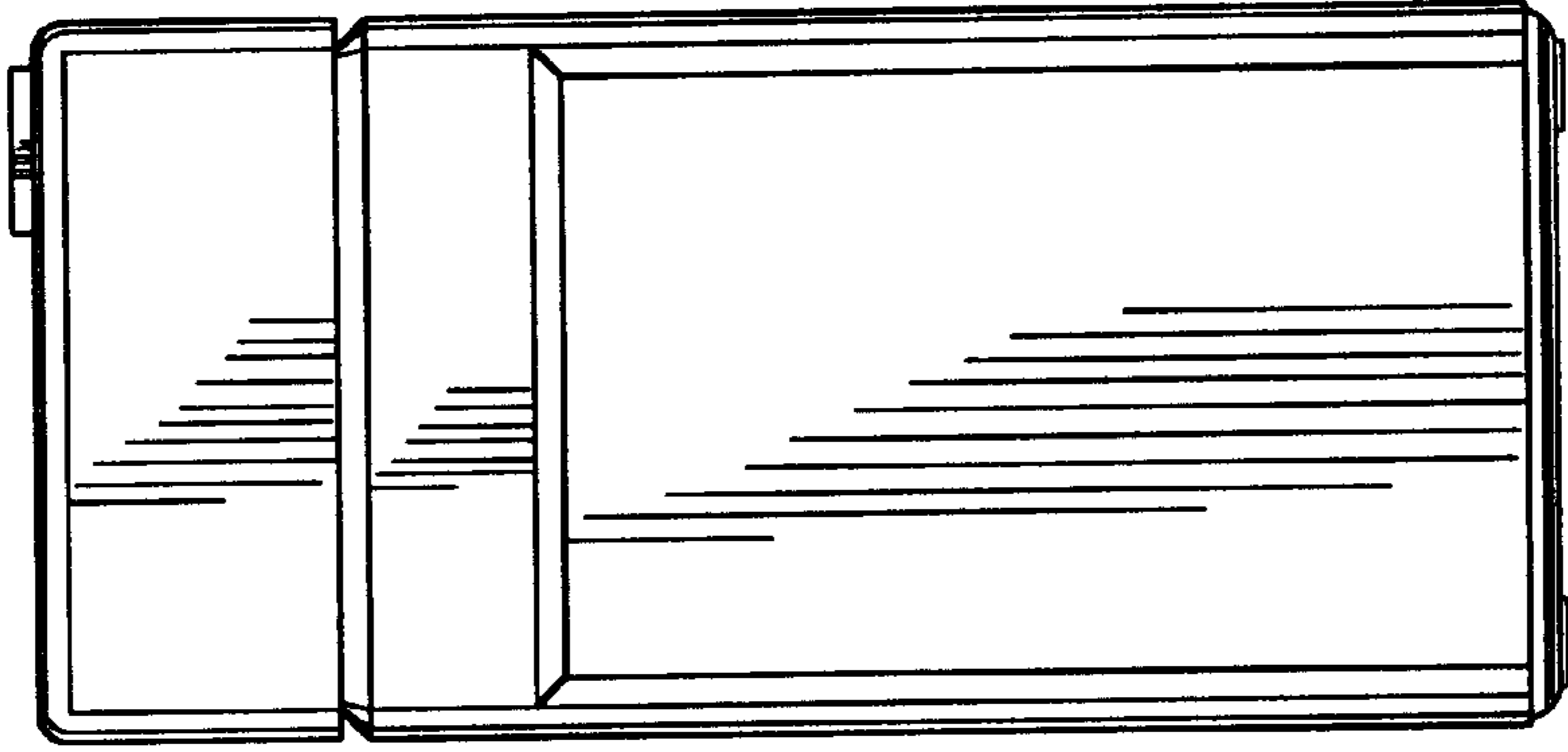


FIG. 5

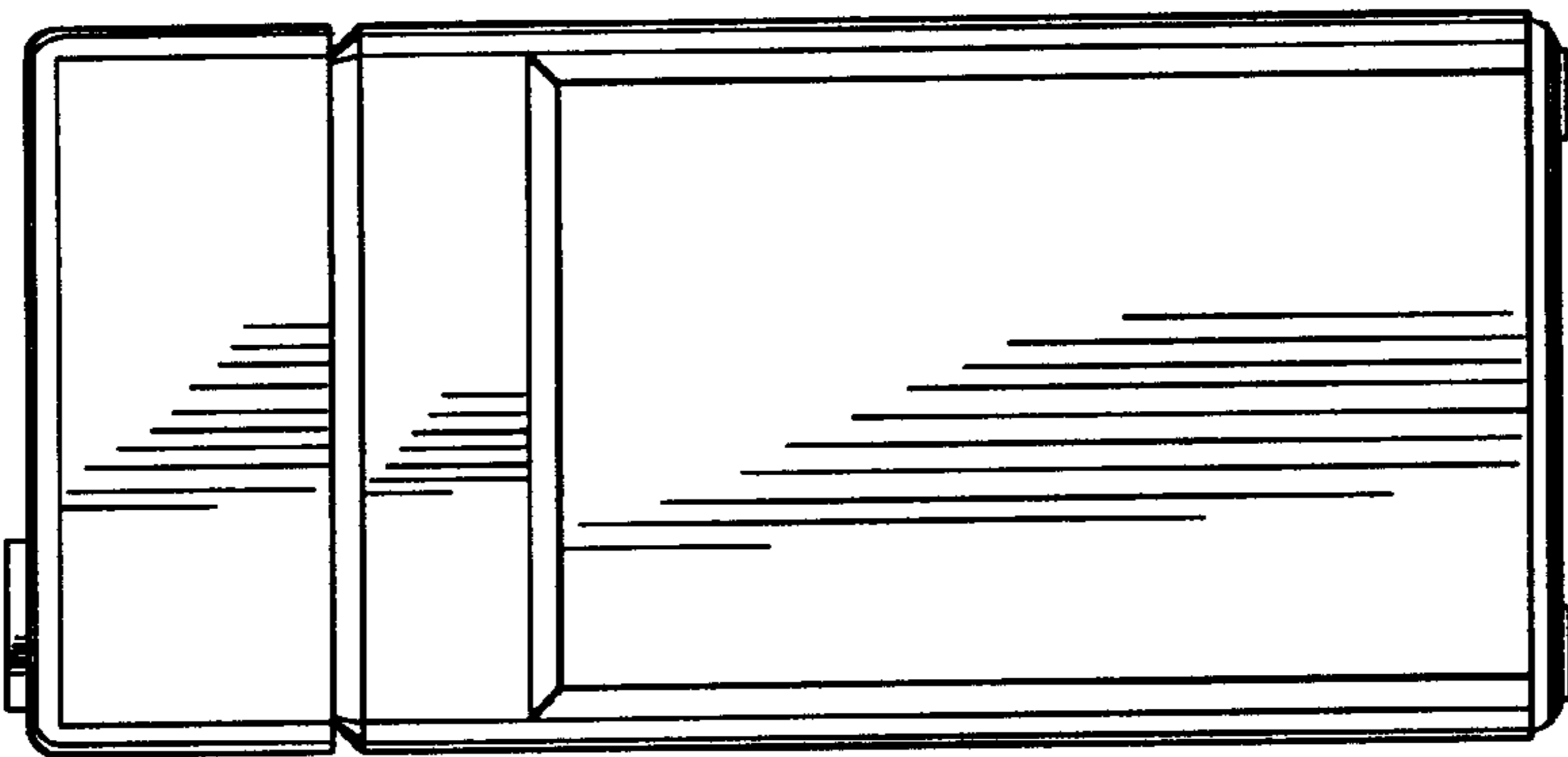


FIG. 4

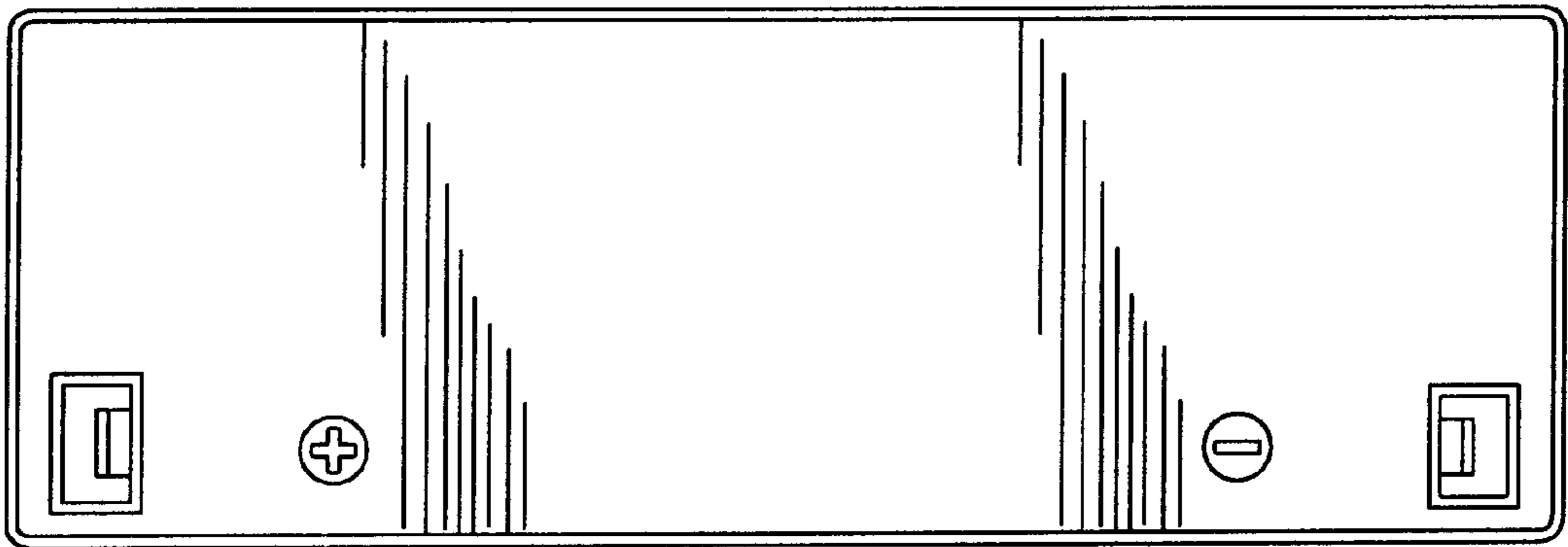


FIG. 6

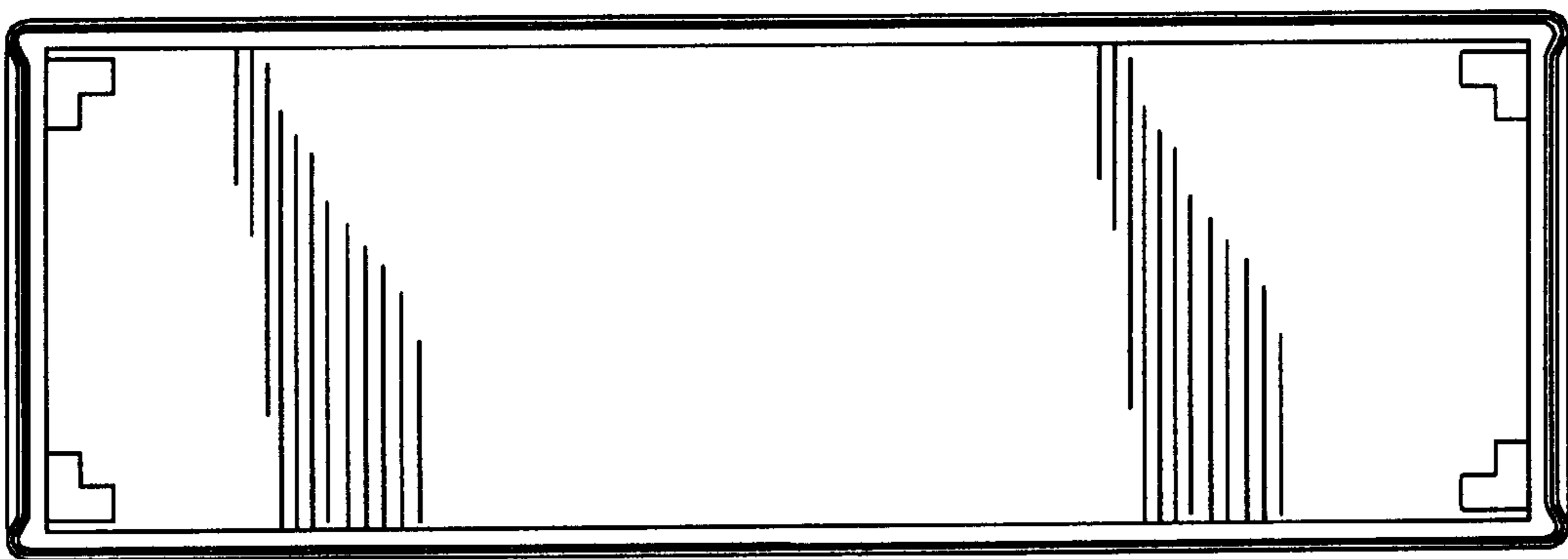


FIG. 7