



US00D432077S

# United States Patent [19]

Zurwelle et al.

[11] Patent Number: Des. 432,077

[45] Date of Patent: \*\* Oct. 17, 2000

[54] BATTERY PACK

6,007,939 12/1999 Clowers ..... 429/99

[75] Inventors: Donald W. Zurwelle, Lutherville; Paul S. White, Ellicott City; Michael J. Agnes, Bel Air, all of Md.

[73] Assignee: Black & Decker Inc., Newark, Del.

[\*\*] Term: 14 Years

[21] Appl. No.: 29/108,496

[22] Filed: Jul. 28, 1999

[51] LOC (7) Cl. .... 13-02

[52] U.S. Cl. .... D13/103

[58] Field of Search ..... D13/103, 119; 429/96-100, 159, 63, 174

### [56] References Cited

#### U.S. PATENT DOCUMENTS

D. 304,152	10/1989	Kmetz .	
D. 304,822	11/1989	Fushiya et al. ....	D13/103
D. 321,338	11/1991	Sakamoto .	
D. 323,606	2/1992	Chang .	
D. 384,639	10/1997	Kawakami et al. ....	D13/103
D. 387,728	12/1997	Kawakami et al. ....	D13/103
D. 412,485	8/1999	Kato et al. ....	D13/103
D. 417,648	12/1999	Clowers et al. ....	D13/103
1,070,244	8/1913	Frantz .	
2,050,078	8/1936	Zell .	
5,213,913	5/1993	Anthony .	
5,280,273	1/1994	Goldstein .	

#### FOREIGN PATENT DOCUMENTS

0716904	6/1996	European Pat. Off. .
M8804105	10/1989	Germany .
M8908254	2/1990	Germany .
M9202473	9/1992	Germany .
93 02 661 U	8/1994	Germany .
M9408587	5/1995	Germany .
M9602589	12/1996	Germany .
295 13 651 U	2/1997	Germany .
M9607592	4/1997	Germany .
M9609716	5/1997	Germany .

Primary Examiner—Joel Sincavage  
Attorney, Agent, or Firm—Adan Ayala

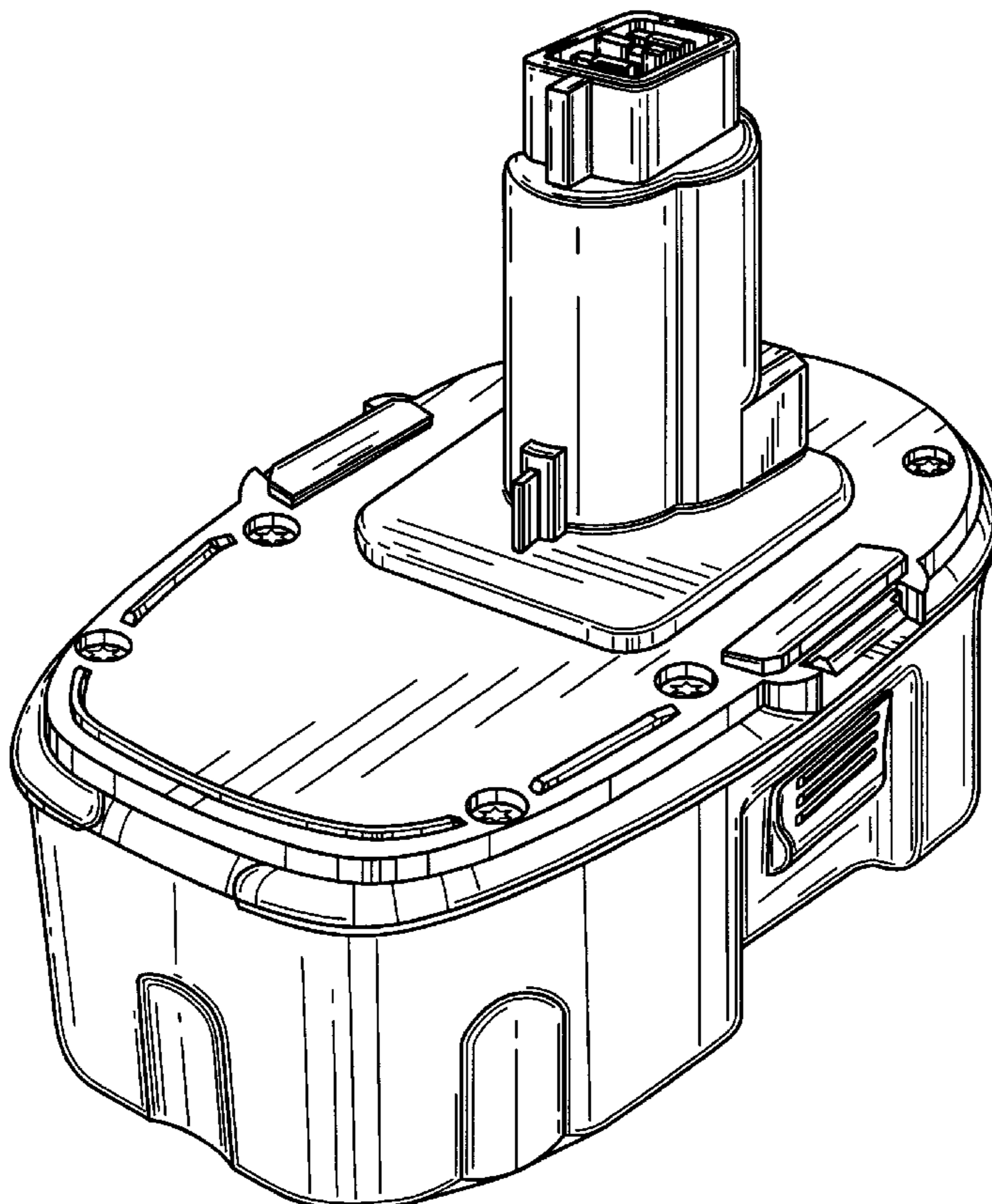
### [57] CLAIM

The ornamental design for a battery pack, as shown and described.

#### DESCRIPTION

FIG. 1 is a front perspective view of a battery pack showing our new design;  
FIG. 2 is a top plan view of the battery pack;  
FIG. 3 is a bottom plan view of the battery pack;  
FIG. 4 is a left side elevational view of the battery pack;  
FIG. 5 is a front elevational view of the battery pack;  
FIG. 6 is a rear elevational view of the battery pack; and,  
FIG. 7 is a right side elevational view of the battery pack.

1 Claim, 7 Drawing Sheets



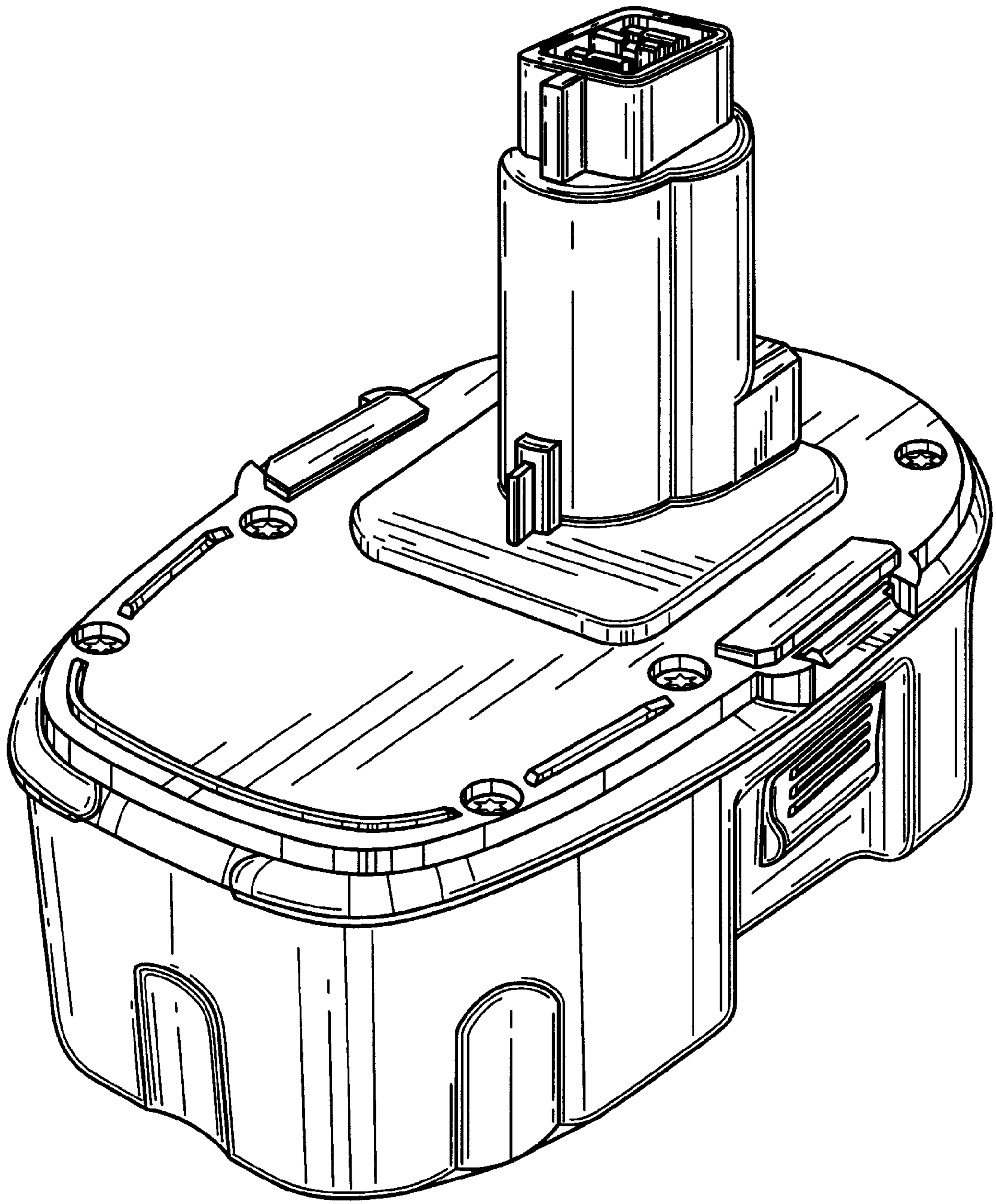


FIG. 1

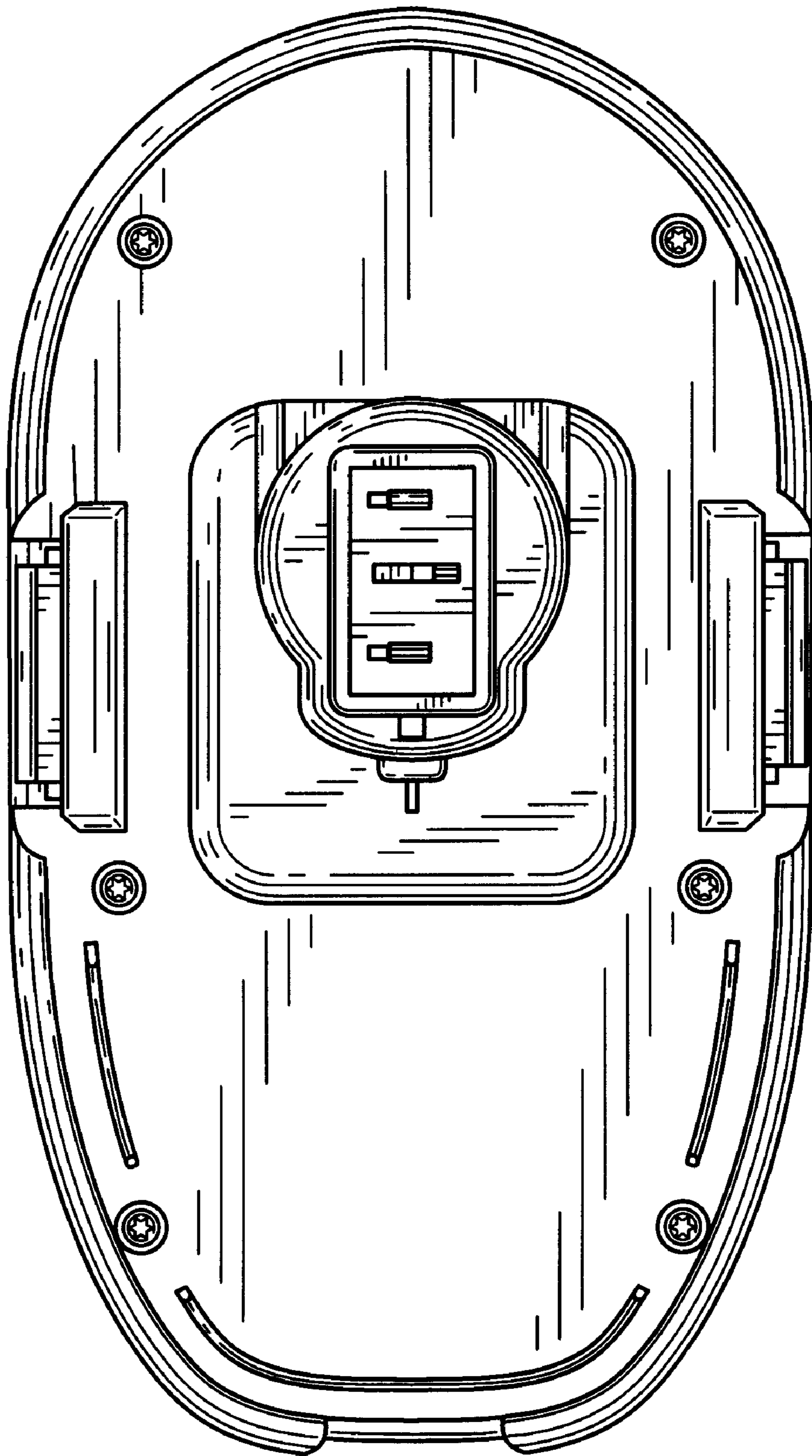


FIG. 2



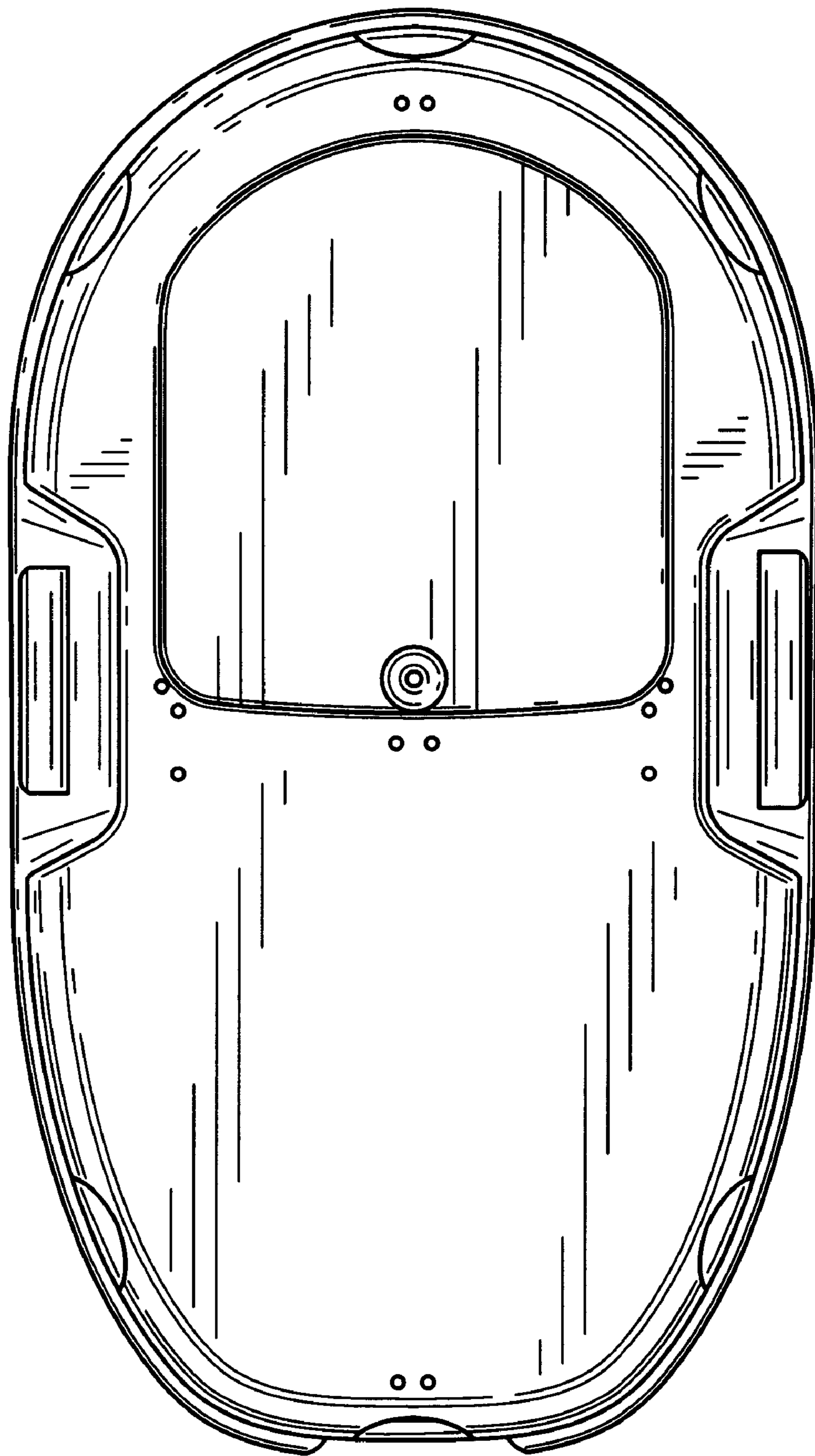


FIG. 3

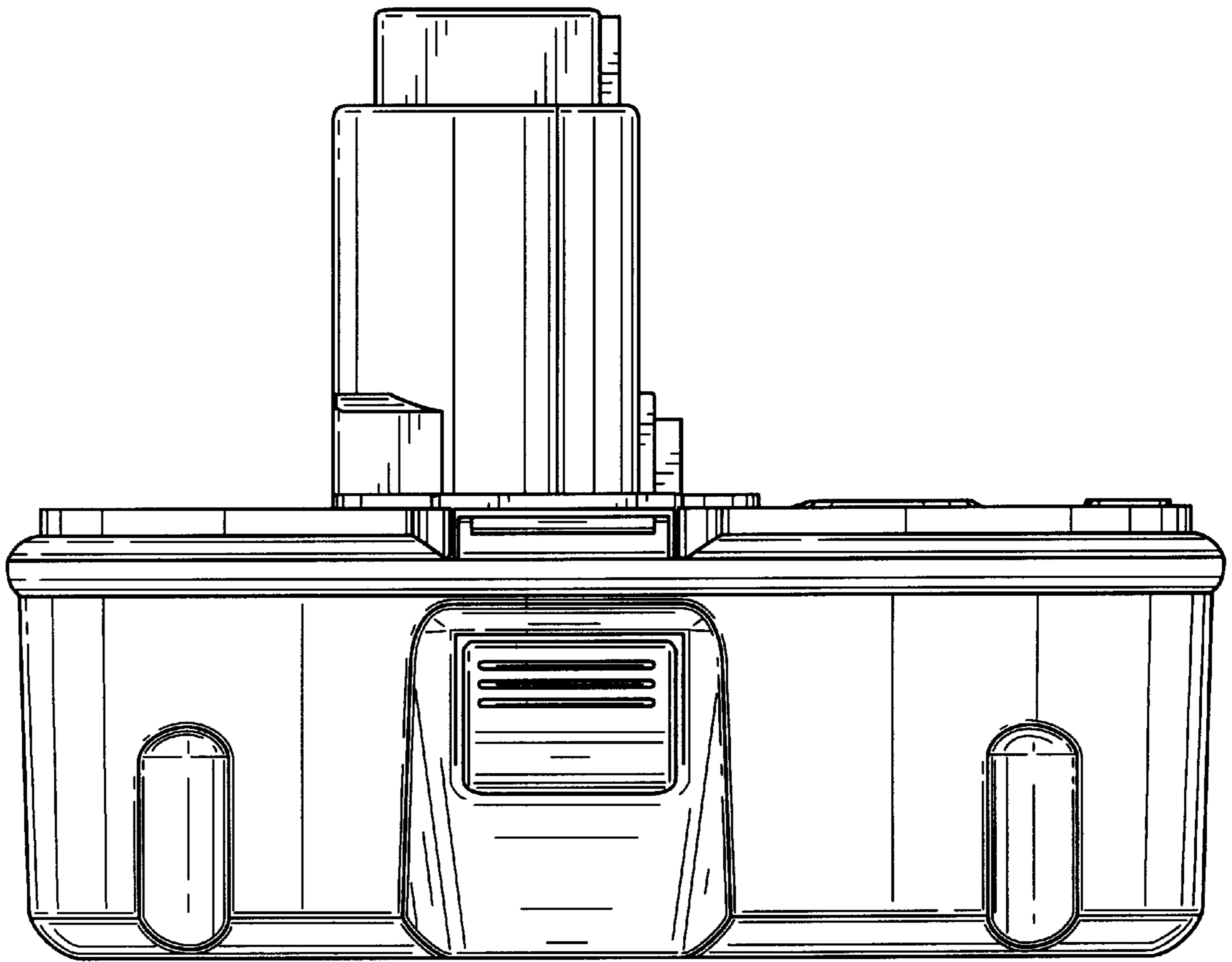


FIG. 4

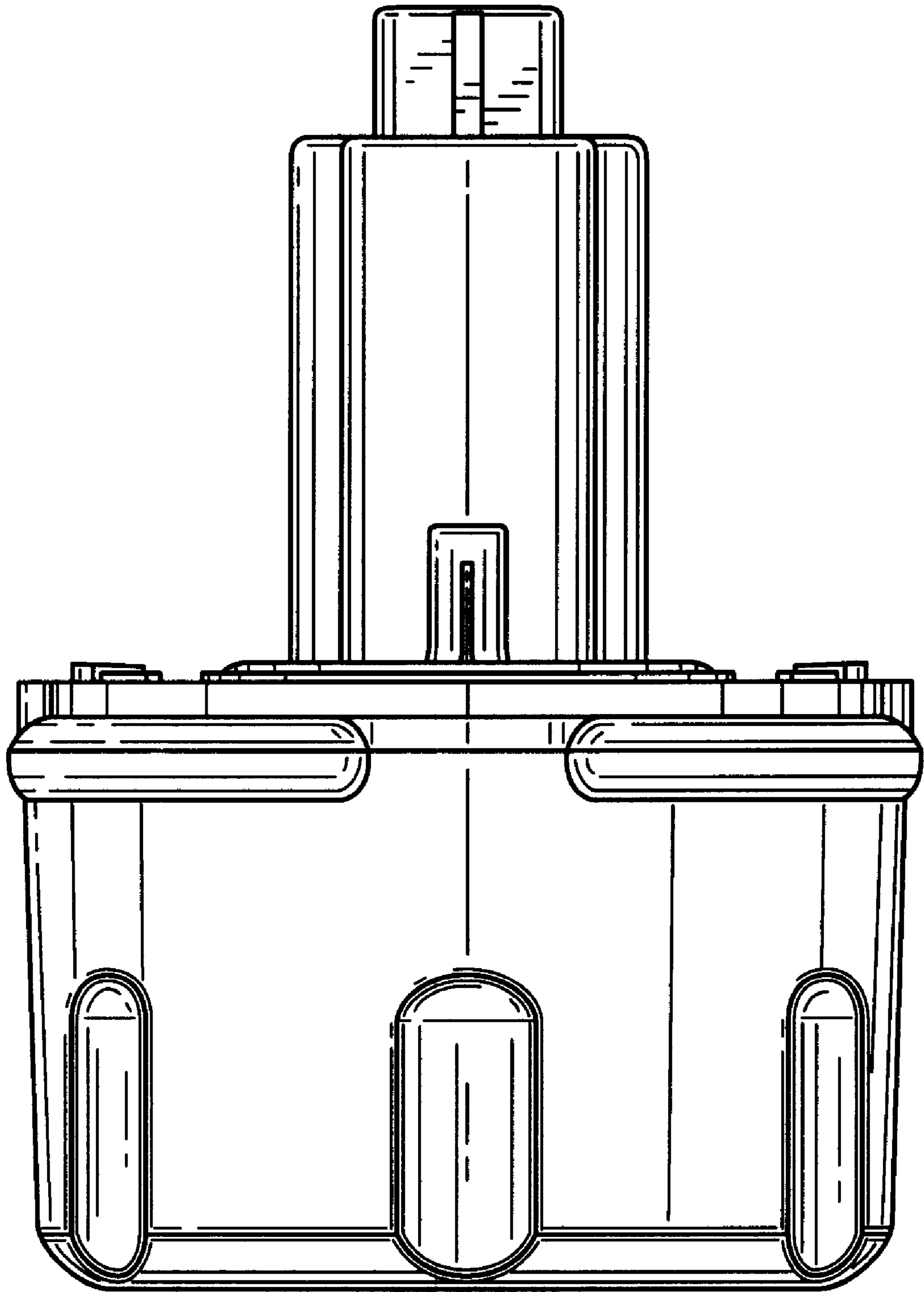


FIG. 5

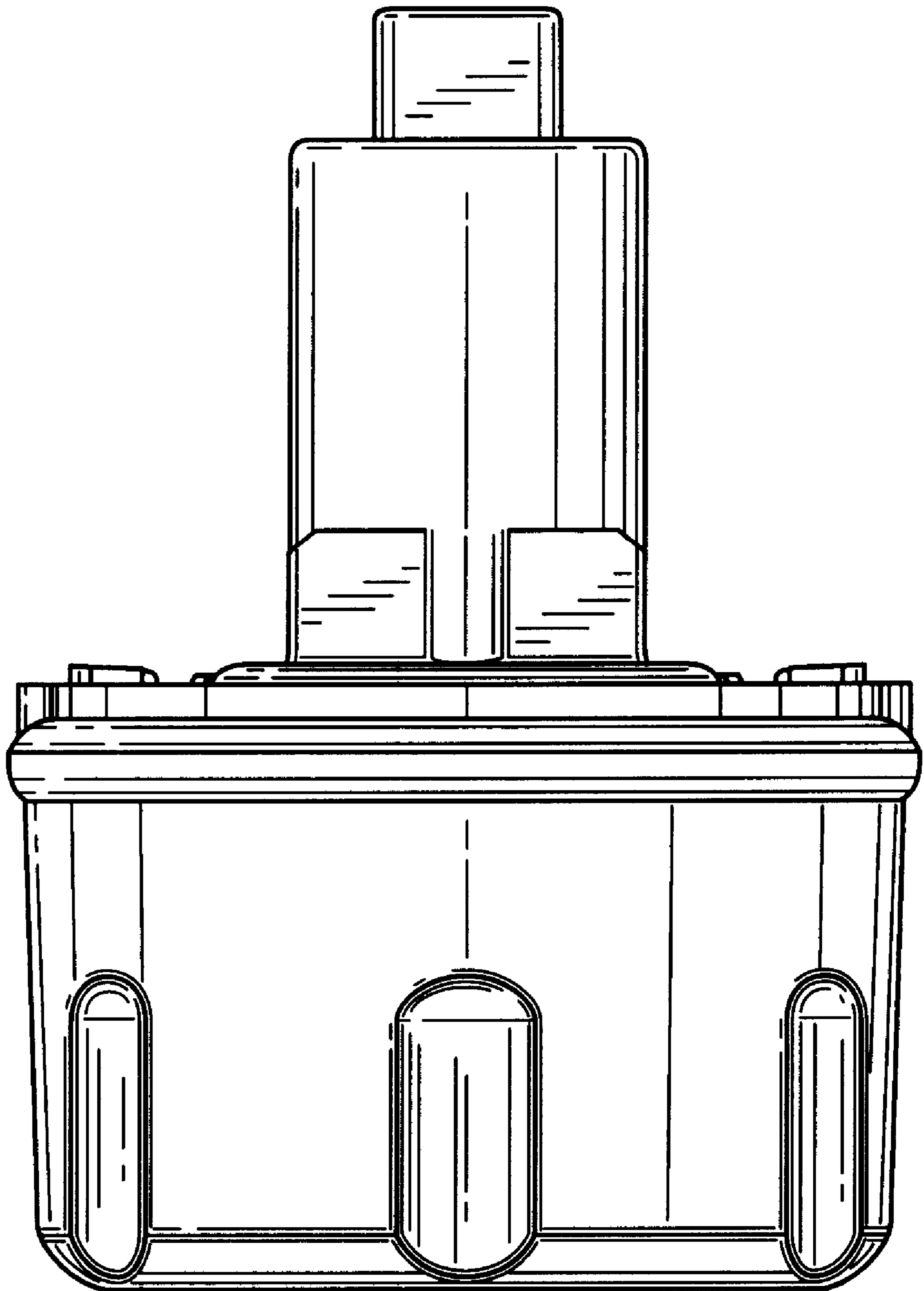


FIG. 6

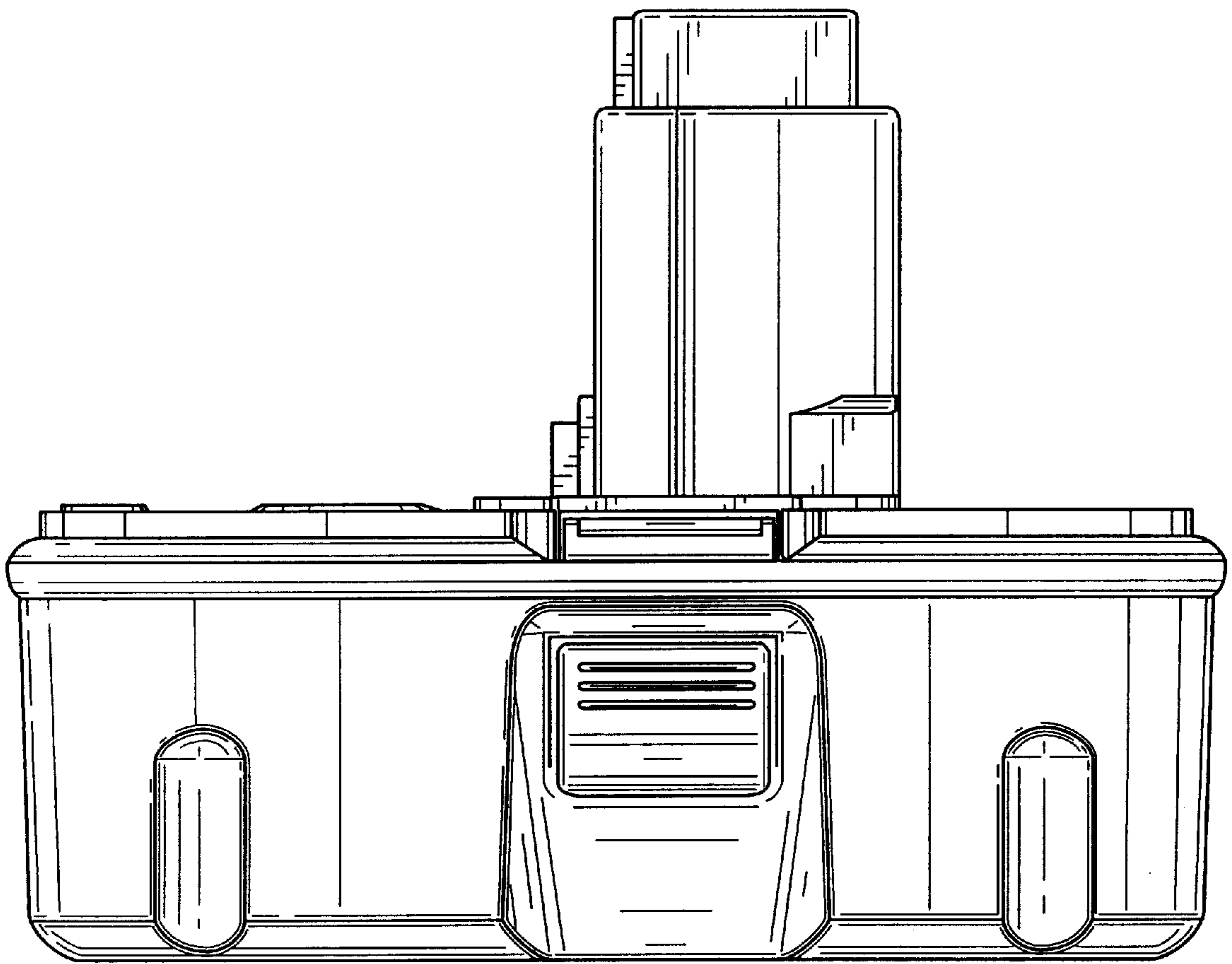


FIG. 7