



US00D432076S

United States Patent [19]

Stickles et al.

[11] Patent Number: **Des. 432,076**

[45] Date of Patent: **** Oct. 17, 2000**

[54] **CONSOLE FOR A SPORT UTILITY VEHICLE**

[75] Inventors: **George C. Stickles**, Thorton, Colo.;
Frank A. Borke, Lebanon, Ohio

[73] Assignee: **Bestop, Inc.**, Broomfield, Colo.

[**] Term: **14 Years**

[21] Appl. No.: **29/113,200**

[22] Filed: **Nov. 1, 1999**

[51] **LOC (7) Cl.** **12-16**

[52] **U.S. Cl.** **D12/419**

[58] **Field of Search** D12/415, 419-421,
D12/425, 426.1; D7/619-620, 701, 707,
708, 605, 553.3-553.5; 224/536-539, 37.1,
37.6, 42.11, 42.24, 42.25, 275, 277, 400;
108/43-46, 132, 147, 157; D3/905; 296/37.1,
37.6-37.8, 37.13-37.16

[56] **References Cited**

U.S. PATENT DOCUMENTS

D. 271,634 12/1983 Rockwell D12/419

D. 352,495 11/1994 Mawhinney et al. D12/419
D. 359,266 6/1995 Karp et al. D12/419
D. 362,837 10/1995 Mankey et al. D12/419
D. 373,987 9/1996 Diem D12/419
D. 375,480 11/1996 Smith D12/419
D. 397,083 8/1998 Smith D12/419

Primary Examiner—Stacia Cadmus
Attorney, Agent, or Firm—W. Scott Carson

[57] **CLAIM**

The ornamental design for a console for a sport utility vehicle, as shown and described.

DESCRIPTION

FIG. 1 is a perspective view of a console for a sport utility vehicle showing our new design.
FIG. 2 is an enlarged left side elevational view thereof;
FIG. 3 is an enlarged top plan view thereof;
FIG. 4 is an enlarged rear perspective view thereof;
FIG. 5 is an enlarged front elevational view thereof;
FIG. 6 is an enlarged right side elevational view thereof;
FIG. 7 is an enlarged rear elevational view thereof; and,
FIG. 8 is an enlarged bottom plan view thereof.

1 Claim, 8 Drawing Sheets

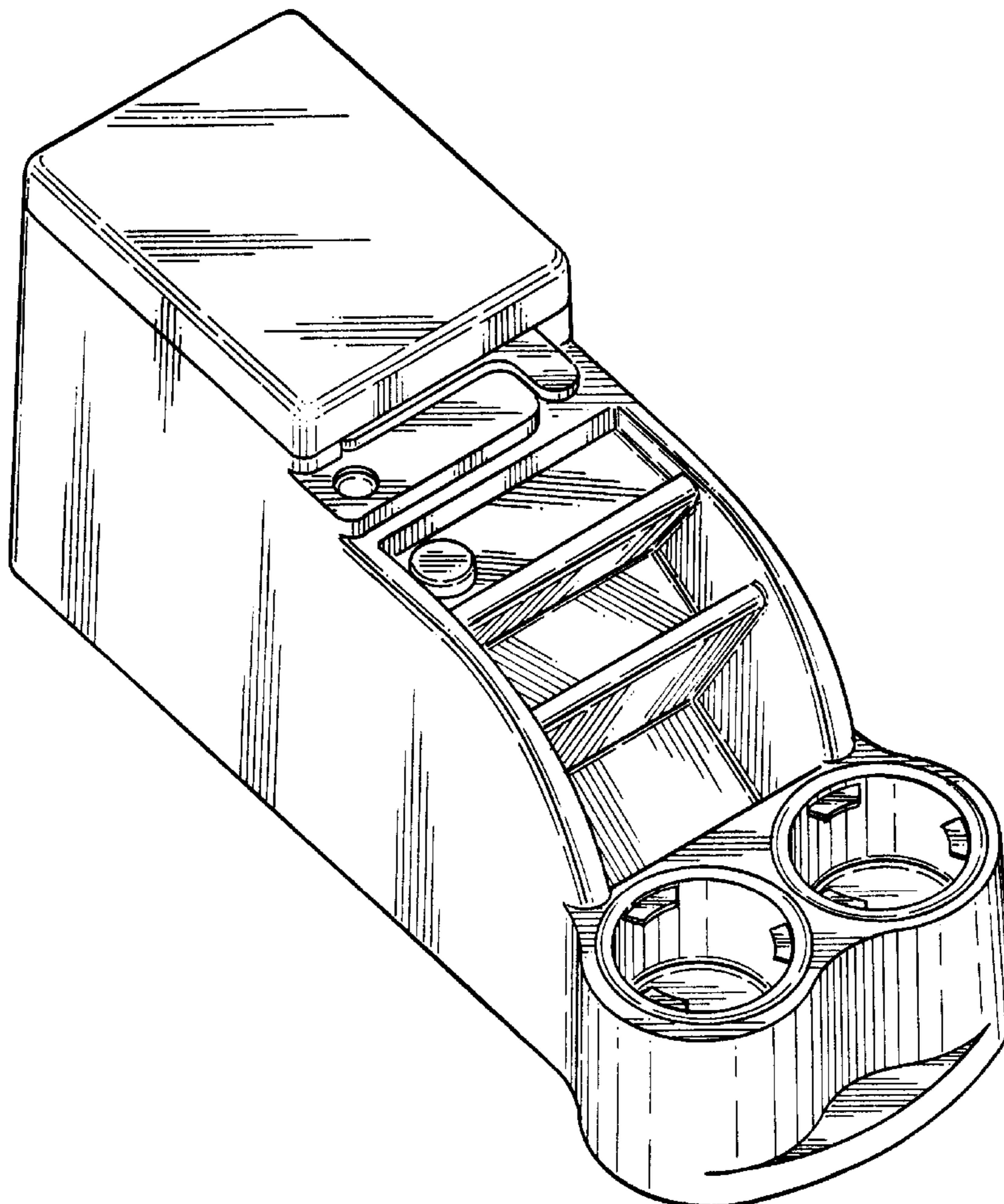


Fig. 1

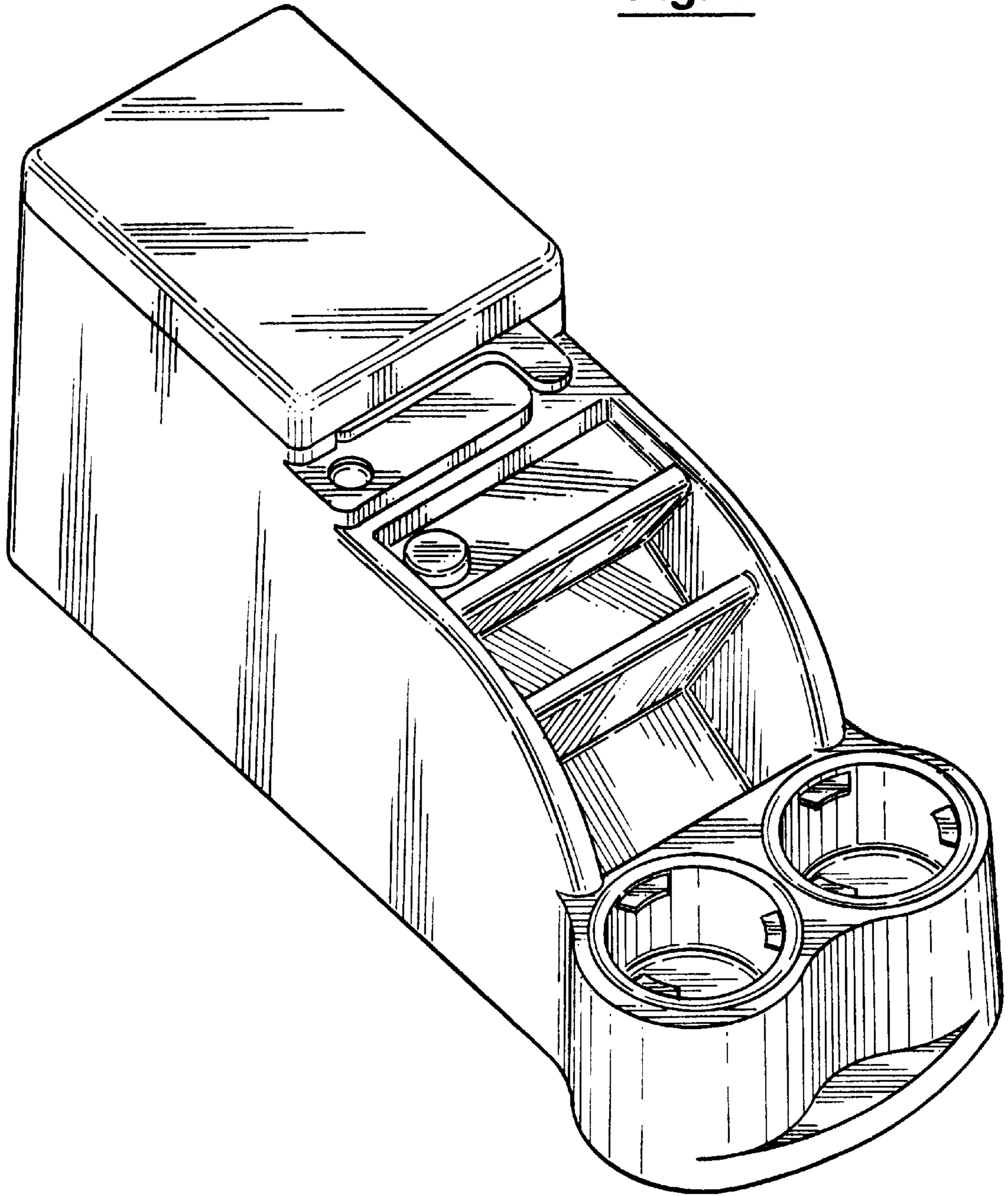
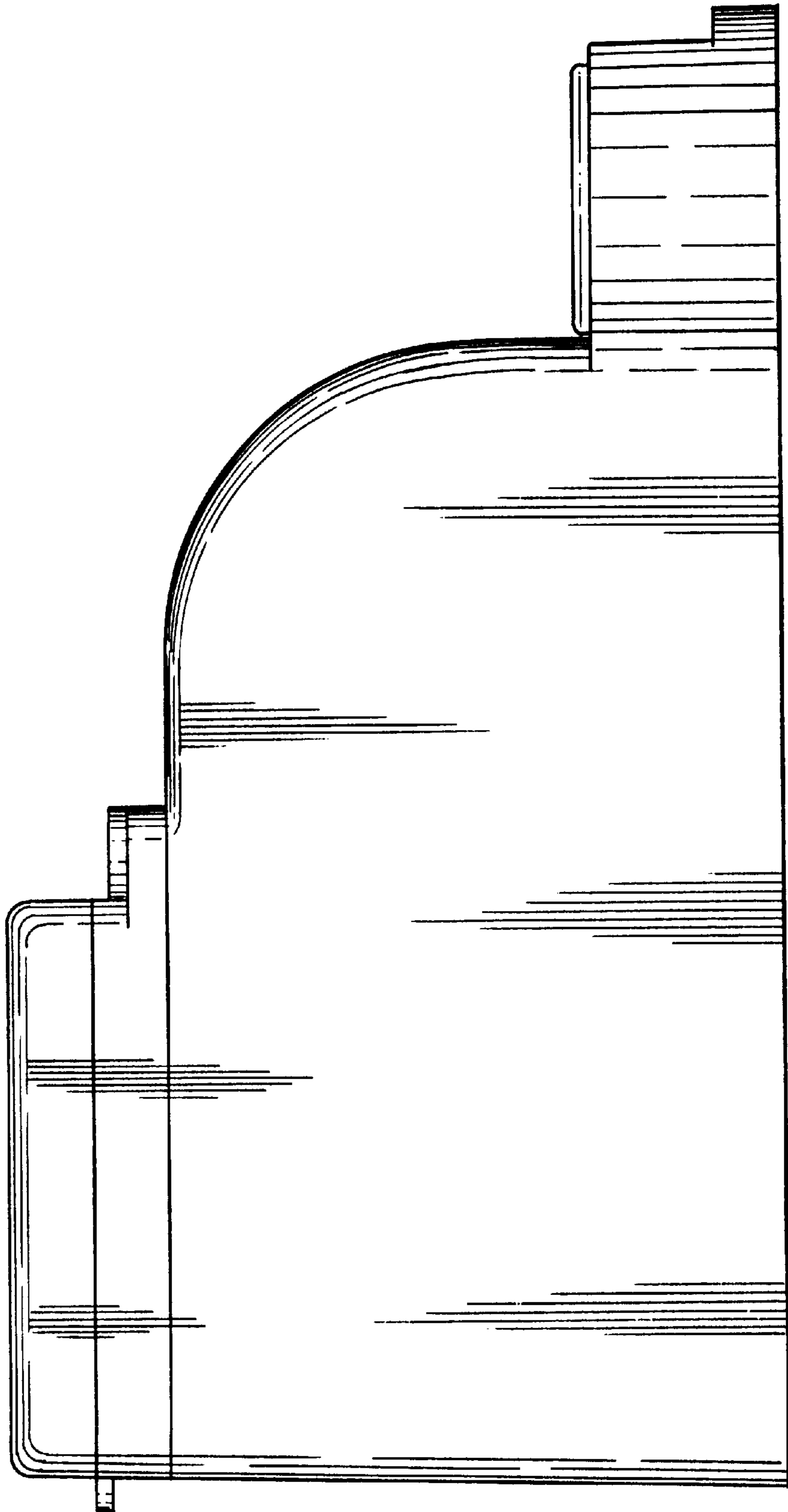


Fig. 2



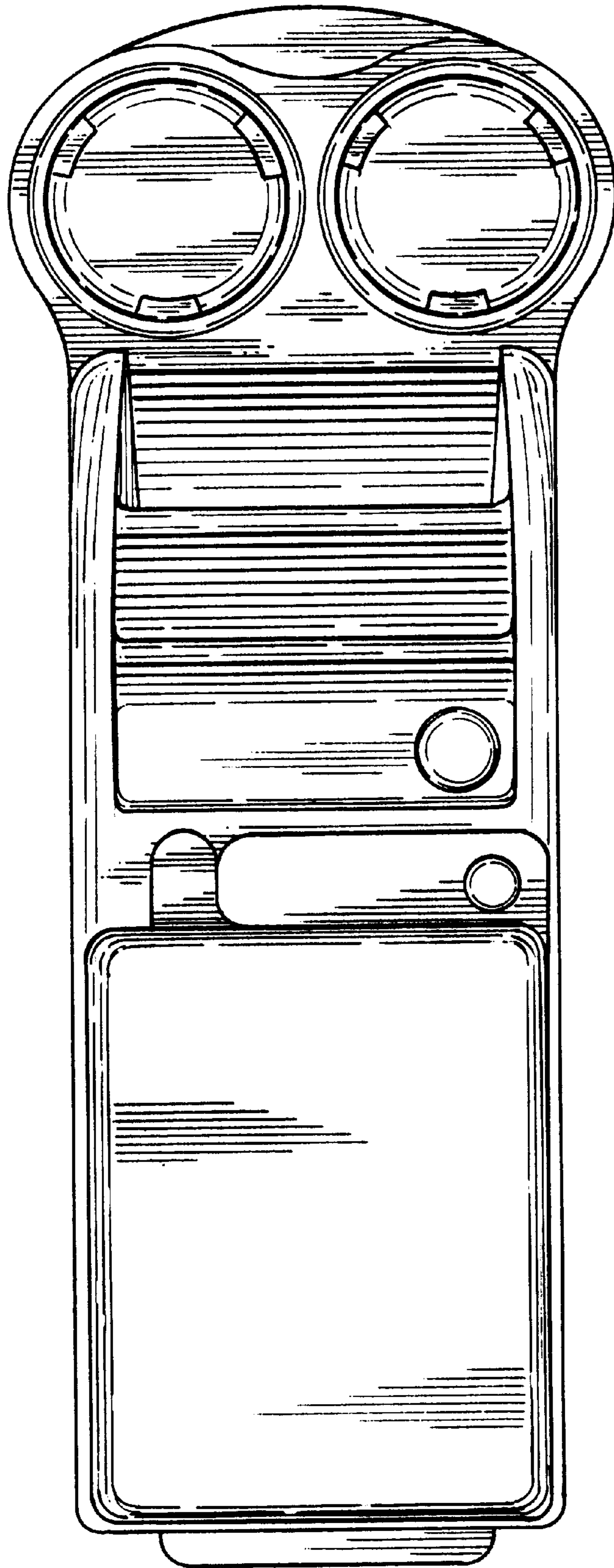


Fig. 3

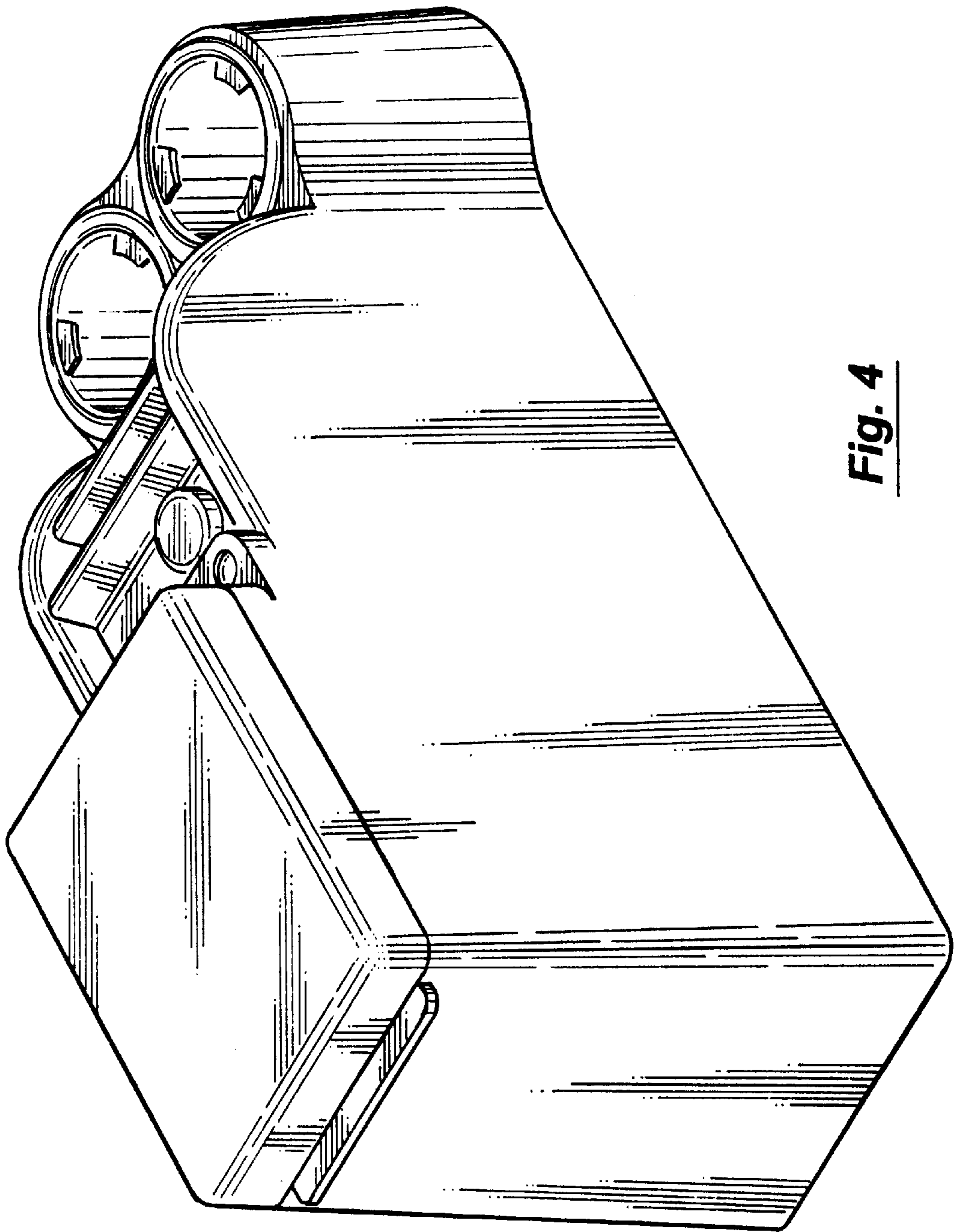
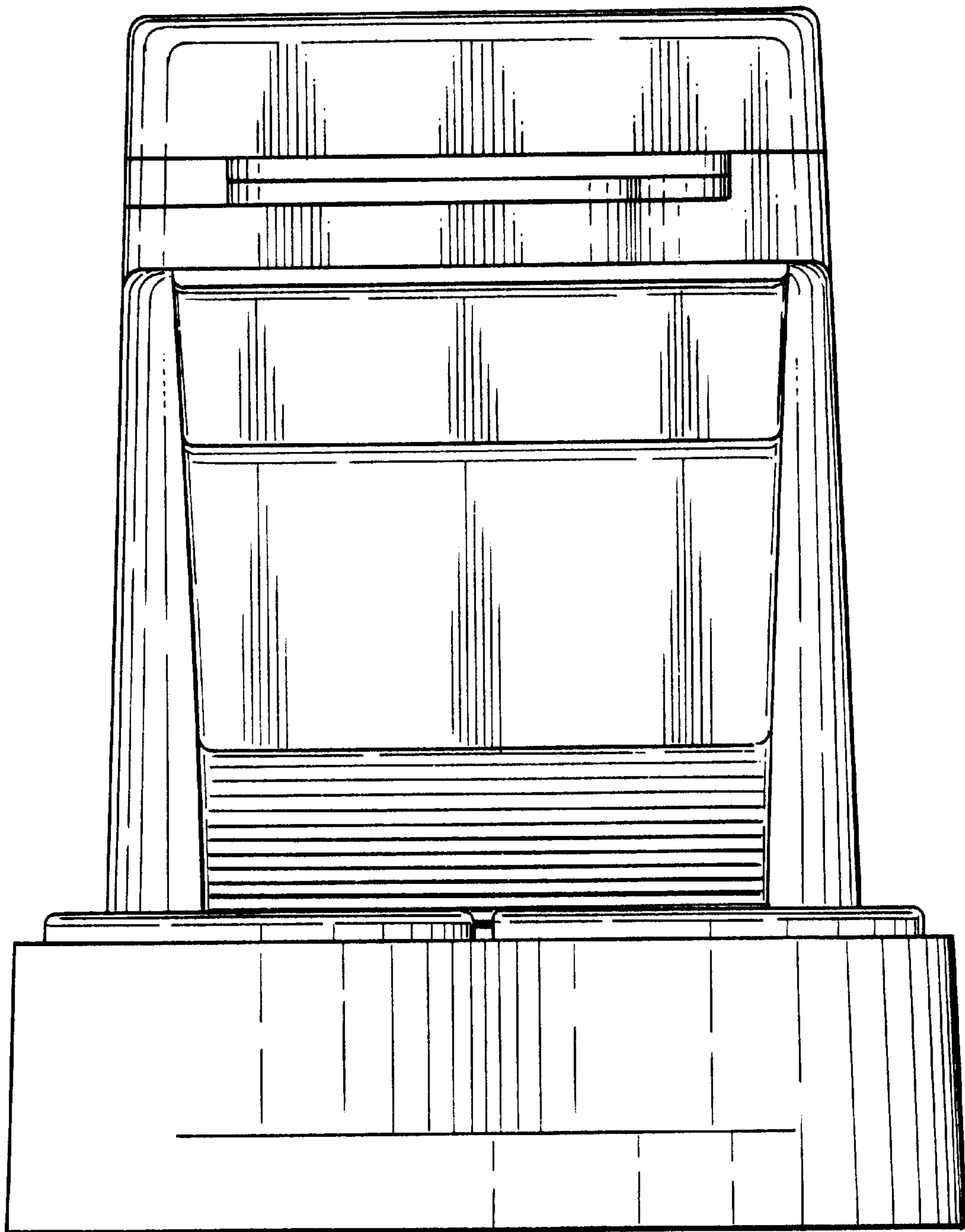


Fig. 4

Fig. 5



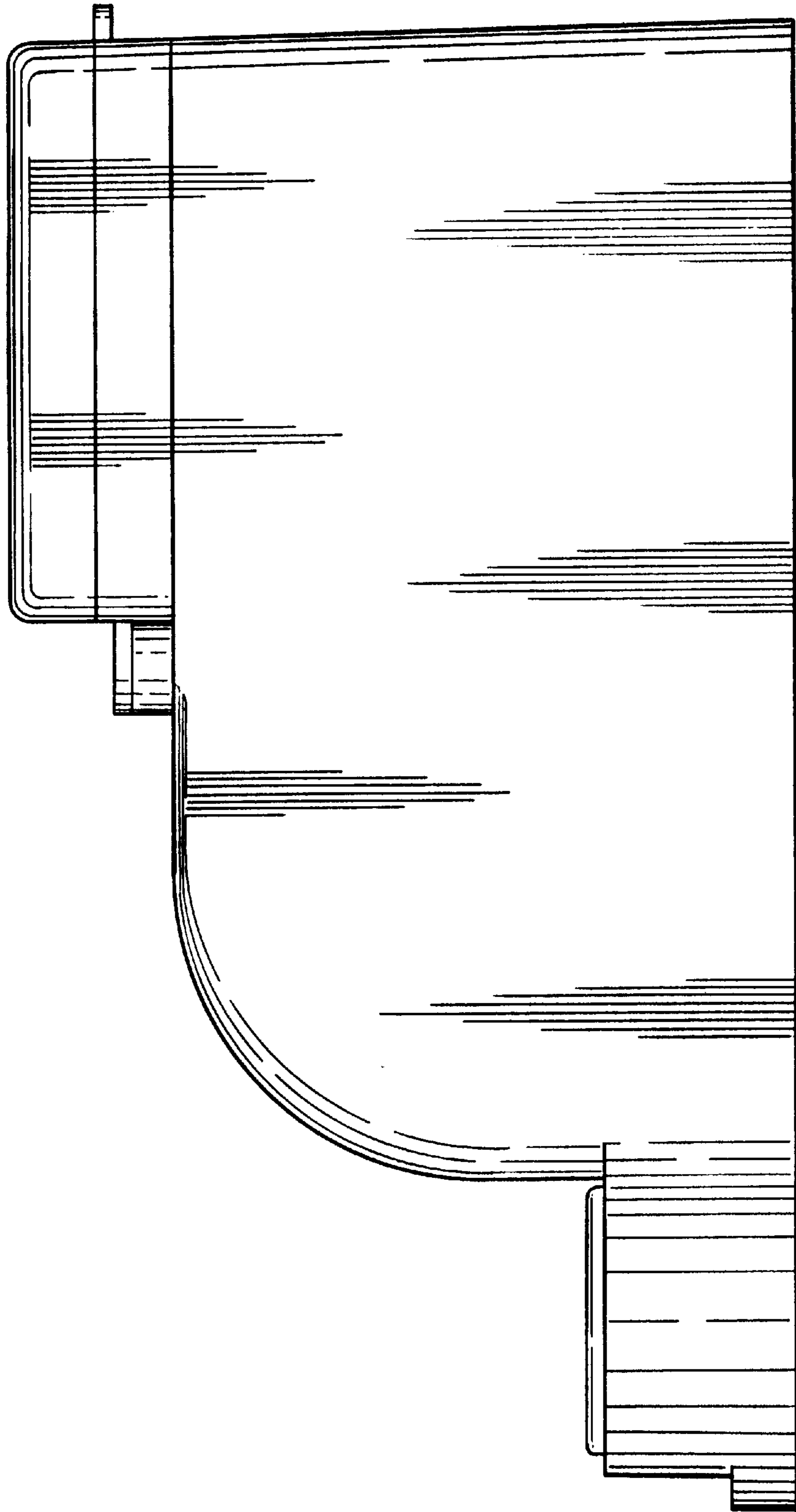


Fig. 6

Fig. 7

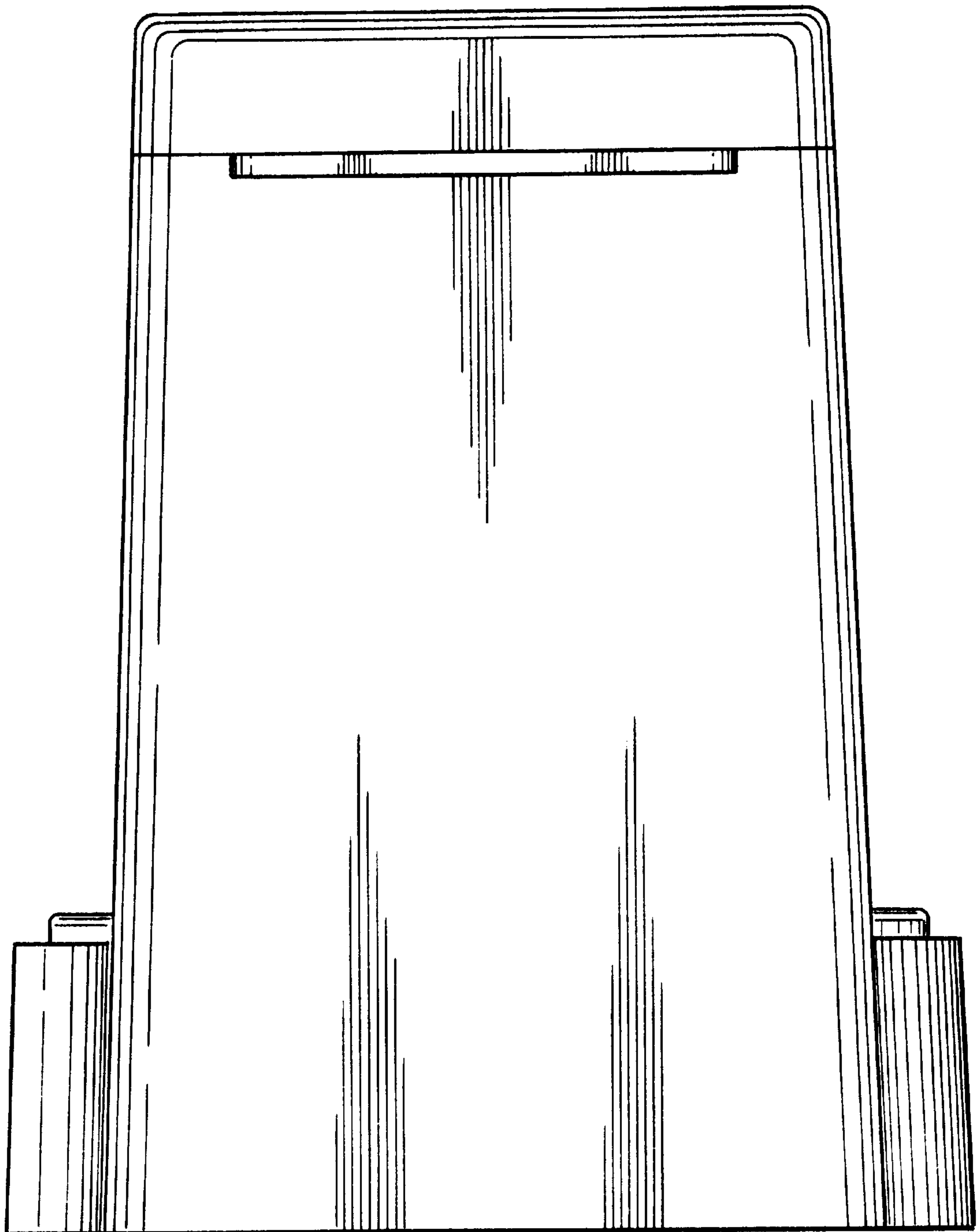


Fig. 8

