



US00D432075S

# United States Patent [19]

Hassett et al.

[11] Patent Number: **Des. 432,075**

[45] Date of Patent: **\*\* Oct. 17, 2000**

## [54] AUTOMOTIVE CELL PHONE HOLDER

[75] Inventors: **Eric Hassett; Thomas Grimaldi**, both of Winter Park, Colo.

[73] Assignee: **Case Logic, Inc.**, Longmont, Colo.

[\*\*] Term: **14 Years**

[21] Appl. No.: **29/120,357**

[22] Filed: **Mar. 16, 2000**

[51] LOC (7) Cl. .... **12-16**

[52] U.S. Cl. .... **D12/416**

[58] Field of Search ..... D12/416, 415, D12/422-426; D3/216-217, 218-228, 233; D14/217, 250-253; D6/513-514, 611, 553, 556, 559; 297/188.04-188.07, 188.12, 188.2; 296/37.8, 37.15; 224/42.11, 275-277, 539, 652-653, 314, 318, 153

### [56] References Cited

#### U.S. PATENT DOCUMENTS

D. 312,349	11/1990	Pogue	.....	D12/416
D. 316,999	5/1991	Sarff	.....	D3/218 X
D. 344,180	2/1994	Garcia	.....	D12/416
D. 367,167	2/1996	Marino et al.	.....	D3/218
D. 380,897	7/1997	Frank	.....	D3/218
D. 389,115	1/1998	Alves et al.	.....	D12/416
D. 392,613	3/1998	Peters	.....	D12/416
D. 412,311	7/1999	Silvershein	.....	D12/416
D. 419,520	1/2000	Bergh	.....	D12/416
D. 425,474	5/2000	Bergh	.....	D12/416

## OTHER PUBLICATIONS

1999 CD Projects Catalog, p. 9.  
Case Logic Products Catalog, p. 13 and p. 17 (no date).

*Primary Examiner*—Stacia Cadmus  
*Attorney, Agent, or Firm*—Sheridan Ross P.C.

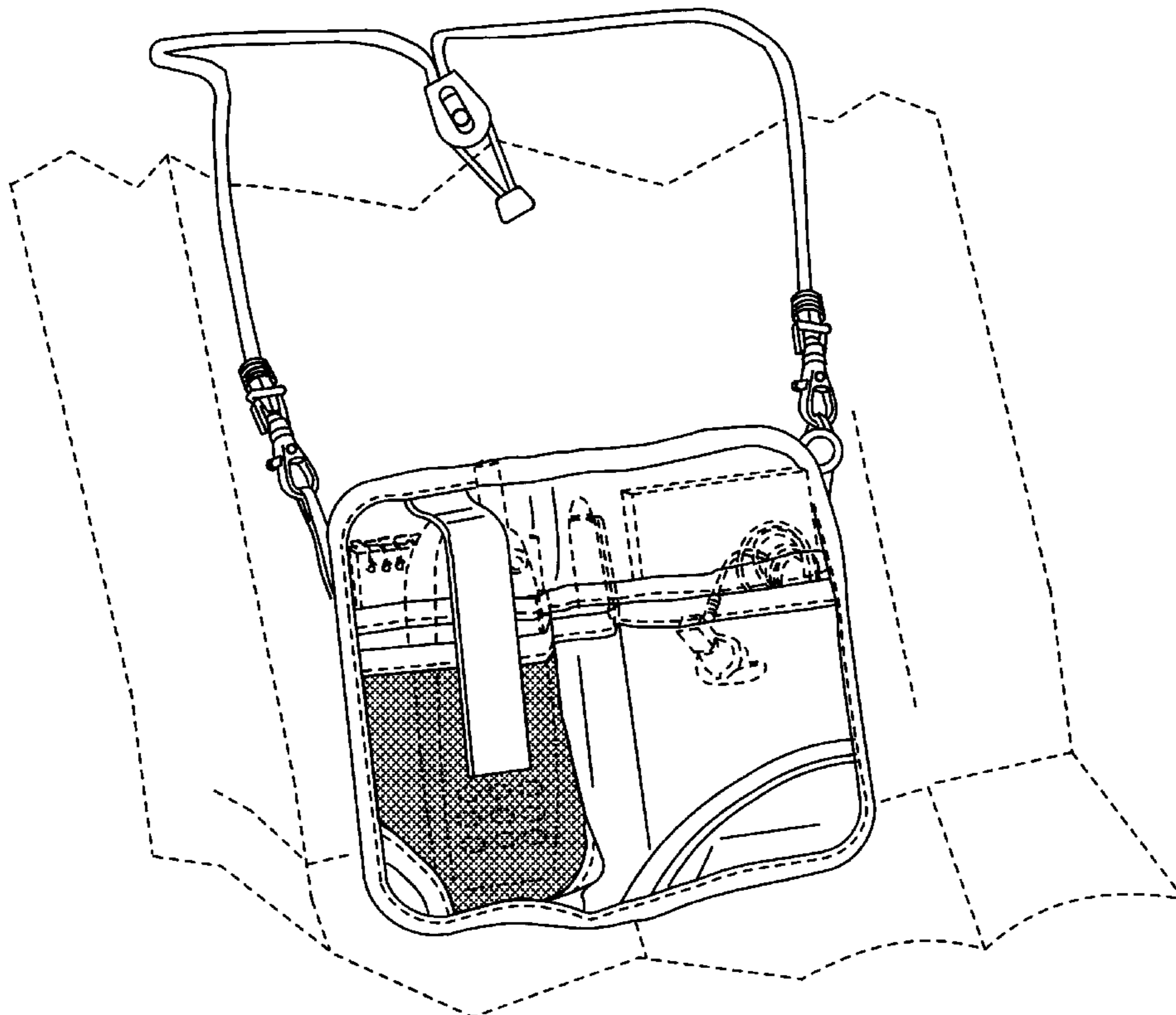
## [57] CLAIM

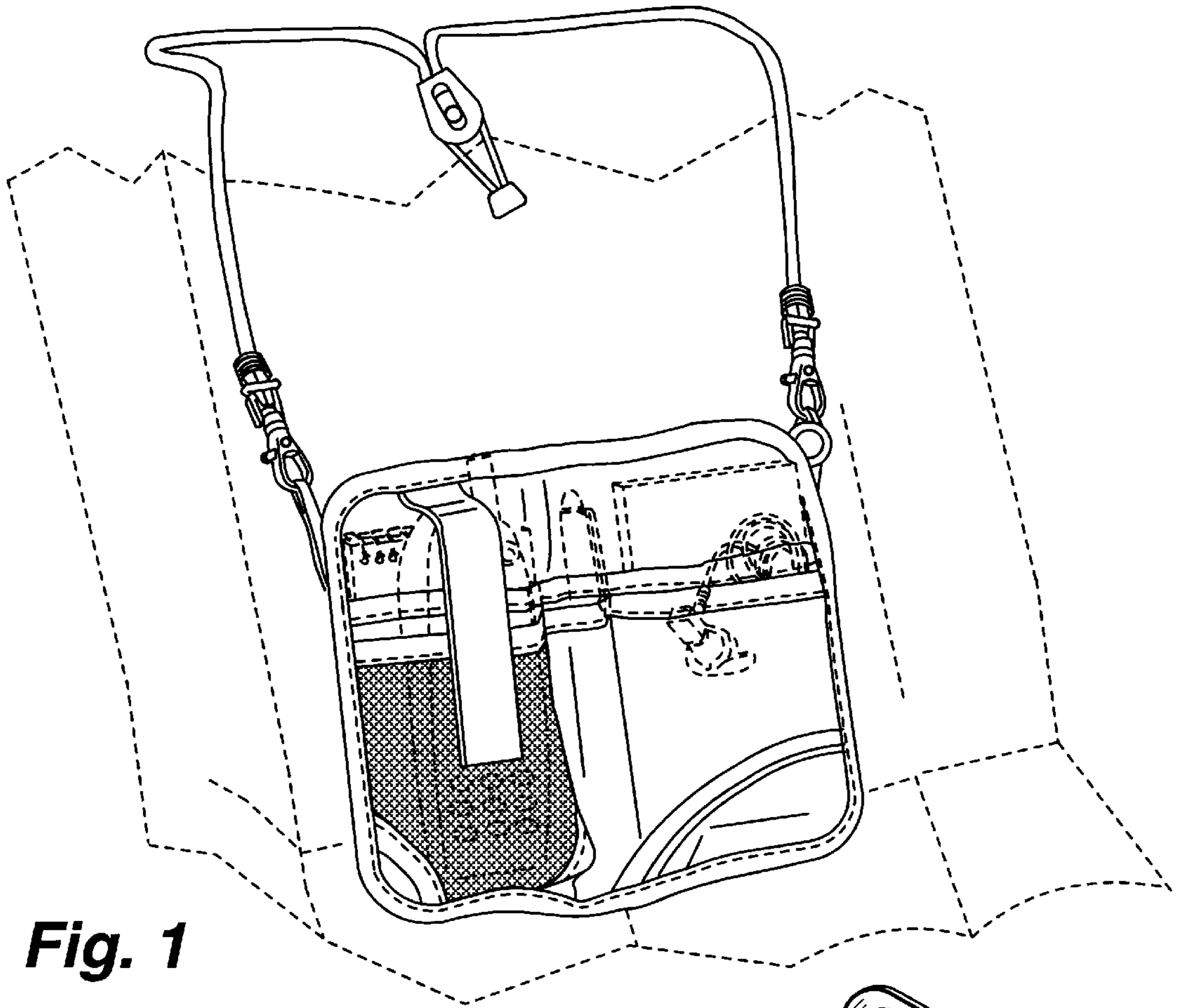
The ornamental design for an automotive cell phone holder, as shown and described.

## DESCRIPTION

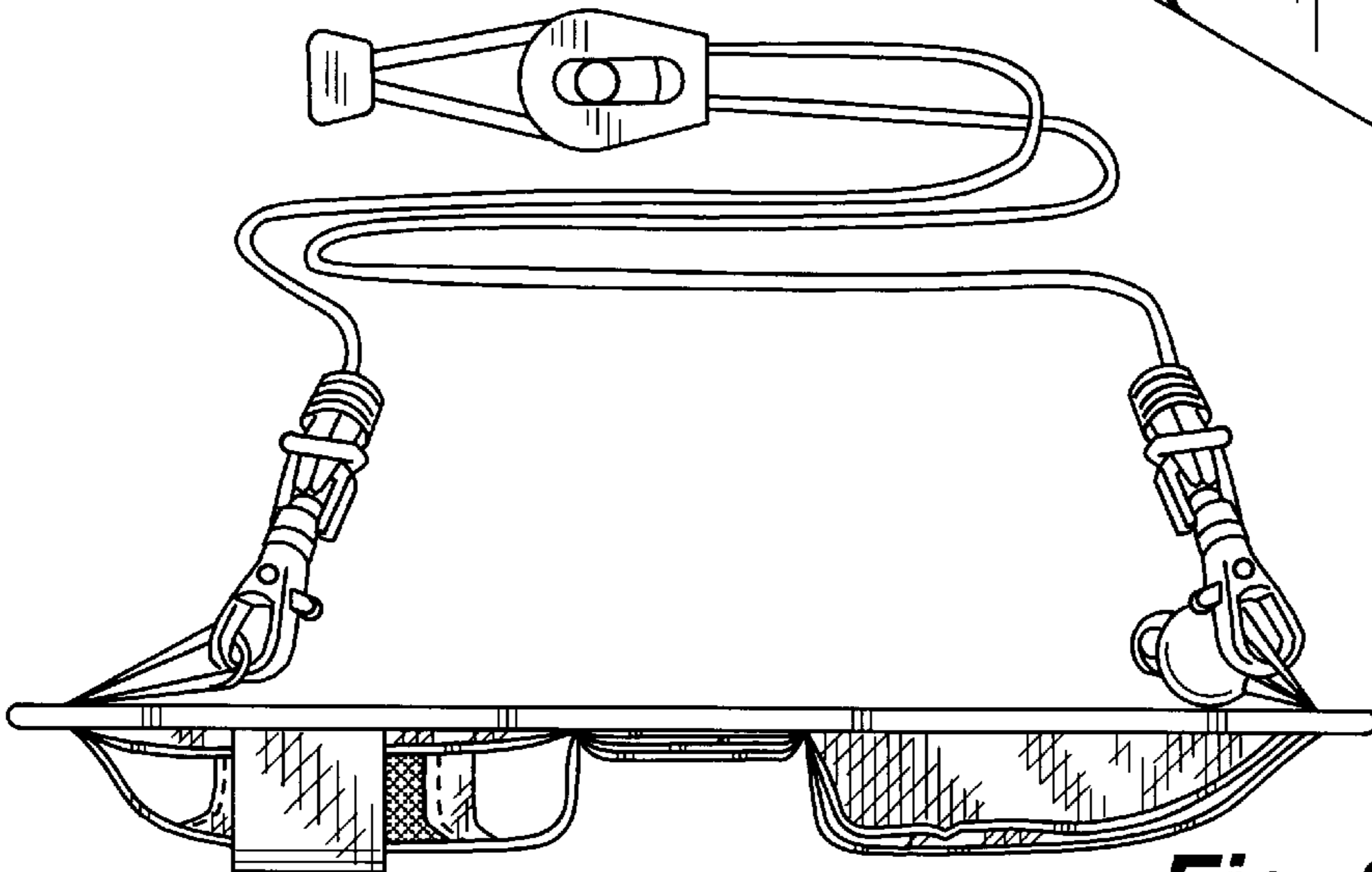
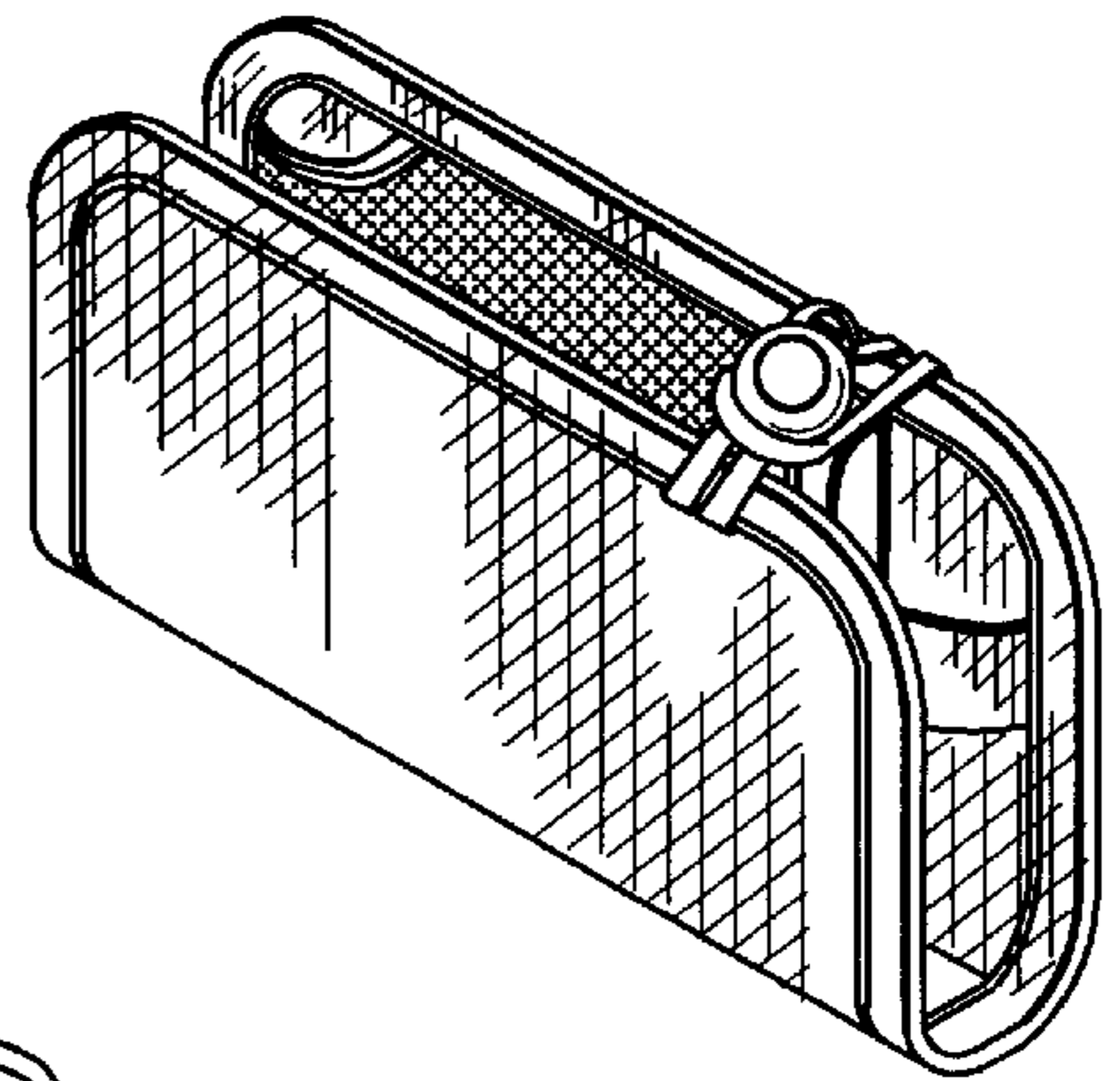
FIG. 1 is a front perspective view of an automotive cell phone holder showing the new design with environment, the broken lines forming no part of my claimed design;  
FIG. 2 is a front perspective view of the invention illustrated in FIG. 1 shown in a closed position;  
FIG. 3 is an enlarged top plan view of the invention illustrated in FIG. 1;  
FIG. 4 is an enlarged left elevation view of the invention illustrated in FIG. 1;  
FIG. 5 is an enlarged front elevation view of the invention illustrated in FIG. 1;  
FIG. 6 is an enlarged right elevation view of the invention illustrated in FIG. 1;  
FIG. 7 is an enlarged rear elevation view of the invention illustrated in FIG. 1; and,  
FIG. 8 is an enlarged bottom plan view of the invention shown in FIG. 1.

**1 Claim, 3 Drawing Sheets**





**Fig. 2**



**Fig. 3**

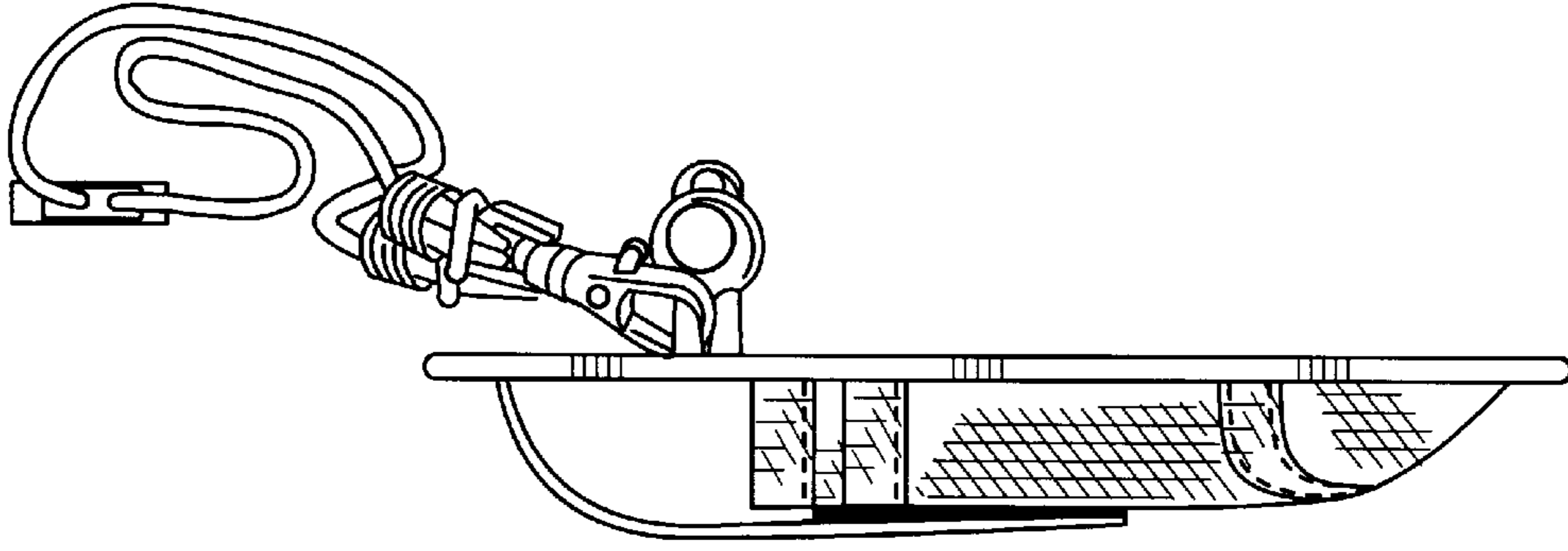


Fig. 6

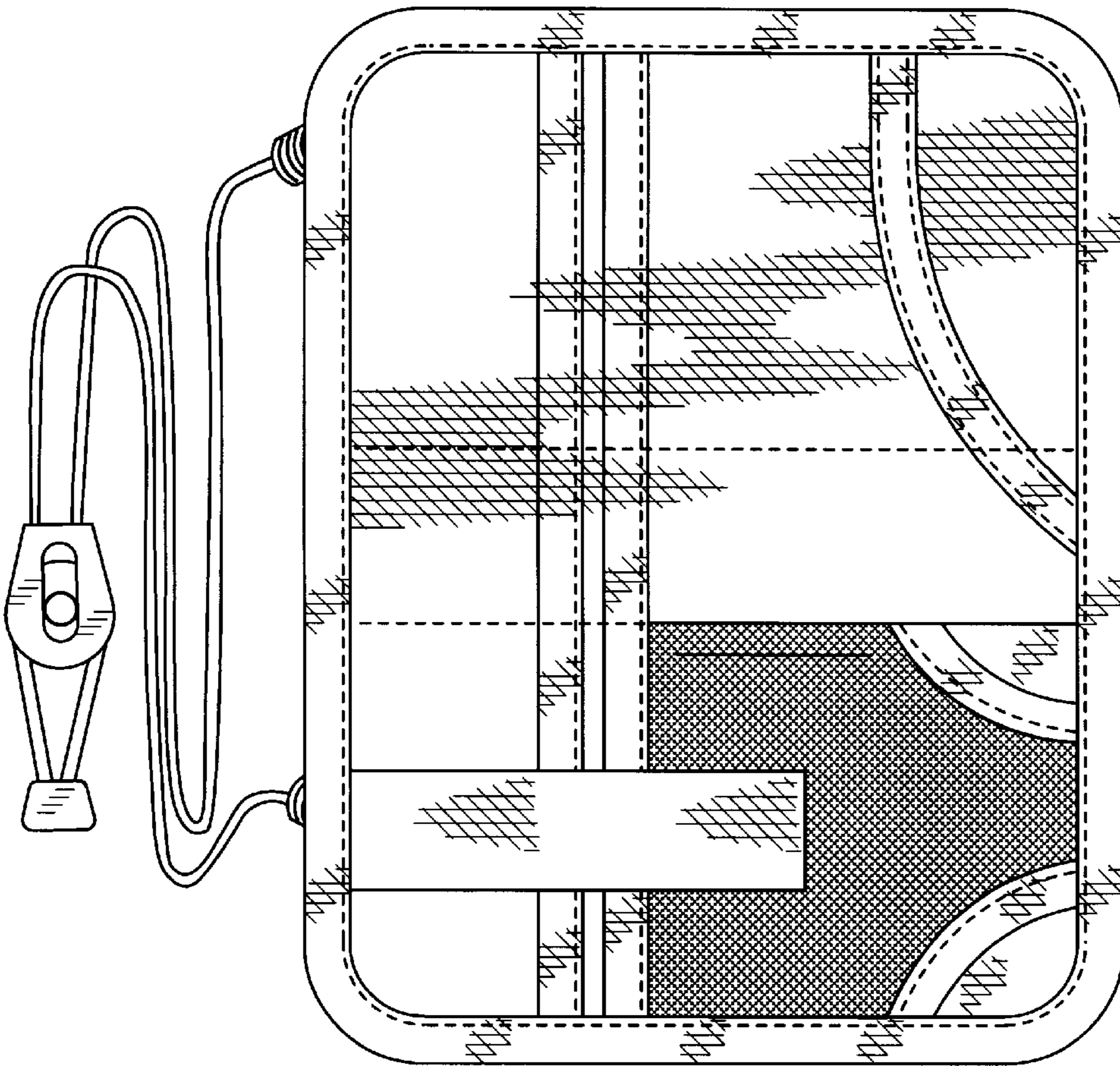


Fig. 5

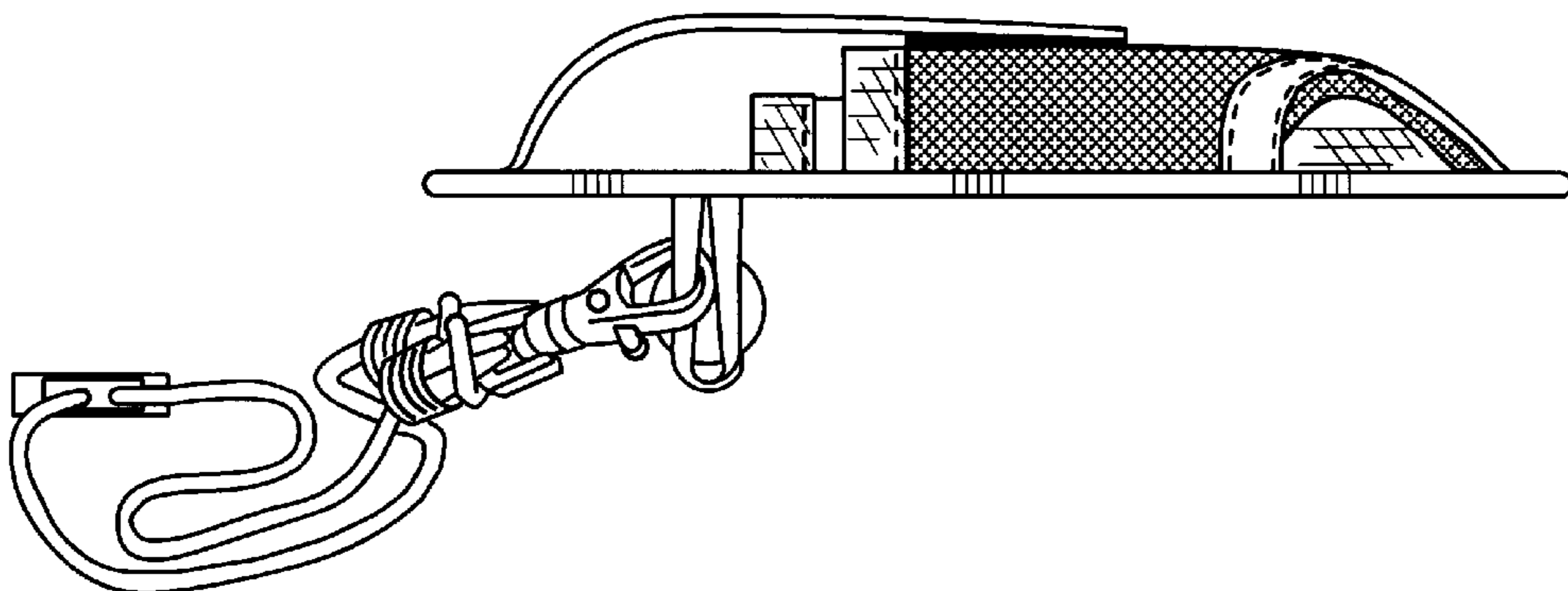
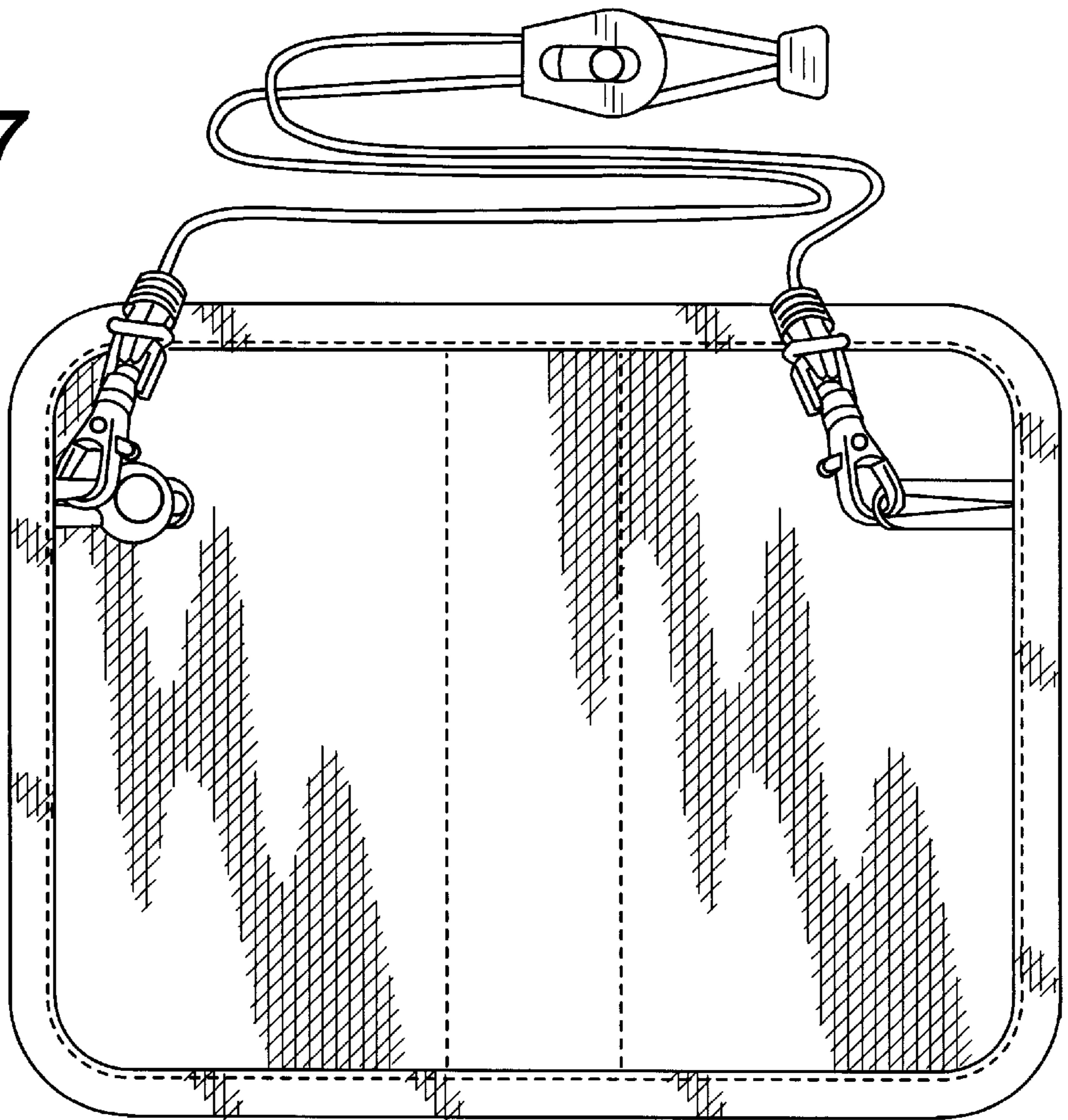


Fig. 4

**Fig. 7**



**Fig. 8**

