



US00D432074S

United States Patent [19] Harris

[11] **Patent Number: Des. 432,074**

[45] **Date of Patent: ** Oct. 17, 2000**

[54] **S.U.V. SLANT BACK COVER**

[75] Inventor: **Glenn Harris**, Camarillo, Calif.

[73] Assignee: **Southern California Gold Products, Inc.**, Camarillo, Calif.

[**] Term: **14 Years**

[21] Appl. No.: **29/120,962**

[22] Filed: **Mar. 27, 2000**

[51] **LOC (7) Cl.** **12-16**

[52] **U.S. Cl.** **D12/404**

[58] **Field of Search** D12/400, 401,
D12/403-405; 296/185-186, 99.1, 103,
156, 163, 210

[56] **References Cited**

U.S. PATENT DOCUMENTS

D. 212,469	10/1968	Kroll	D12/404
D. 235,327	6/1975	Morris	D12/404
D. 250,012	10/1978	Windecker et al.	D12/156
D. 272,334	1/1984	Potterbaum et al.	D12/404
D. 325,188	4/1992	Abele	D12/404
D. 325,366	4/1992	Mansberger	D12/404
D. 328,049	7/1992	Sturtevant	D12/404
D. 328,062	7/1992	Burgess	D12/401
D. 383,432	9/1997	Starr et al.	D12/404

D. 387,029	12/1997	Heinemann	D12/404
D. 399,817	10/1998	Lund et al.	D12/404
D. 403,652	1/1999	Starr et al.	D12/404
D. 408,781	4/1999	Gordon	D12/401
D. 410,428	6/1999	Bauers	D12/404
D. 424,012	5/2000	Gaytan	D12/404
4,496,184	1/1985	Byrd et al.	296/100

Primary Examiner—Stacia Cadmus
Attorney, Agent, or Firm—Marvin E. Jacobs

[57] **CLAIM**

The ornamental design for a S.U.V. slant back cover, as shown and described.

DESCRIPTION

FIG. 1 is a perspective view of an S.U.V. slant back cover of the invention, the vehicle being shown in dotted lines for illustrative purposes only and forms no part of the claimed design.

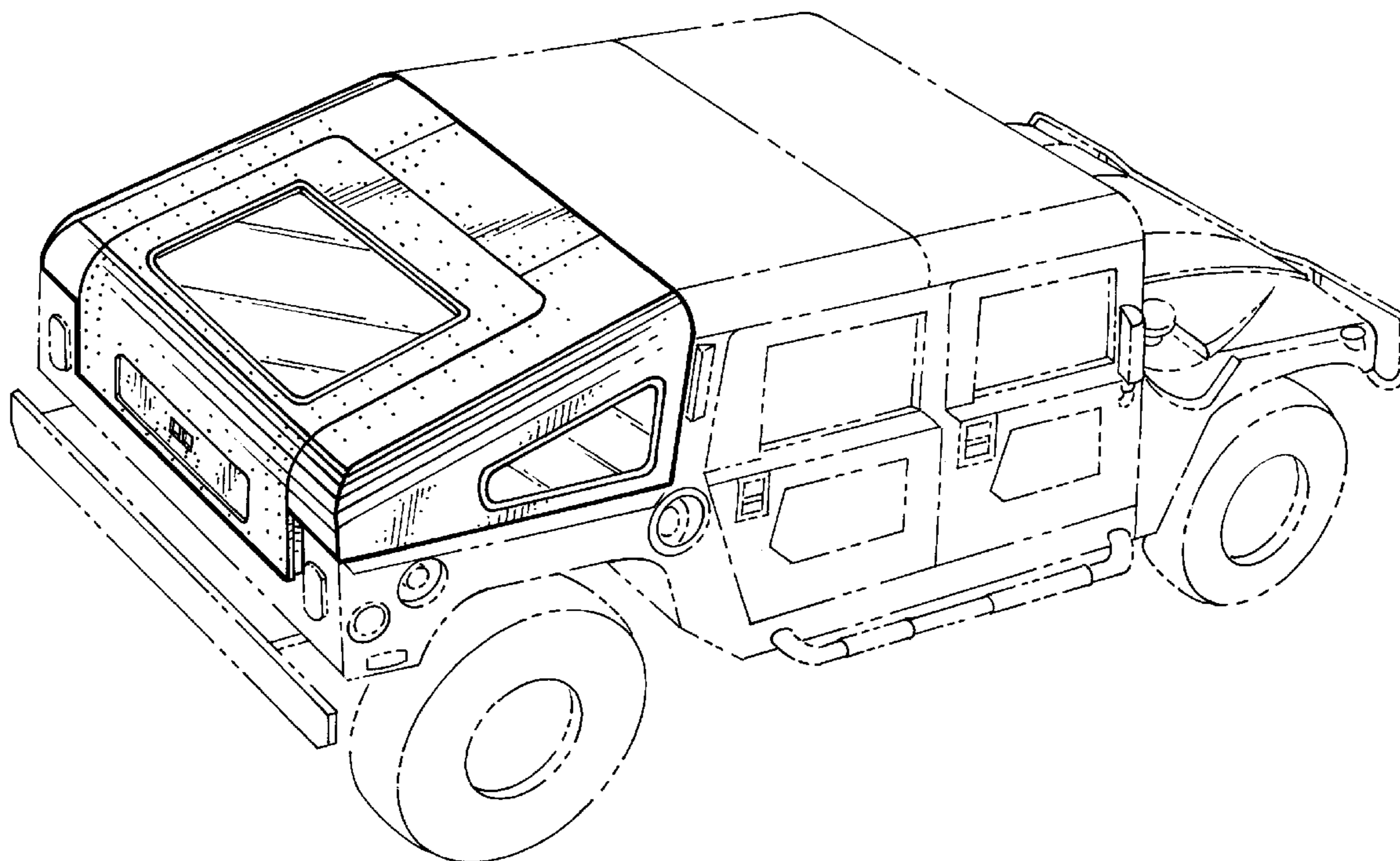
FIG. 2 is an enlarged rear view in elevation of the S.U.V. slant back cover;

FIG. 3 is an enlarged left side view of the S.U.V. slant back cover;

FIG. 4 is an enlarged right side view in elevation of the S.U.V. slant back cover; and,

FIG. 5 is an enlarged top view in elevation of the S.U.V. slant back cover.

1 Claim, 3 Drawing Sheets



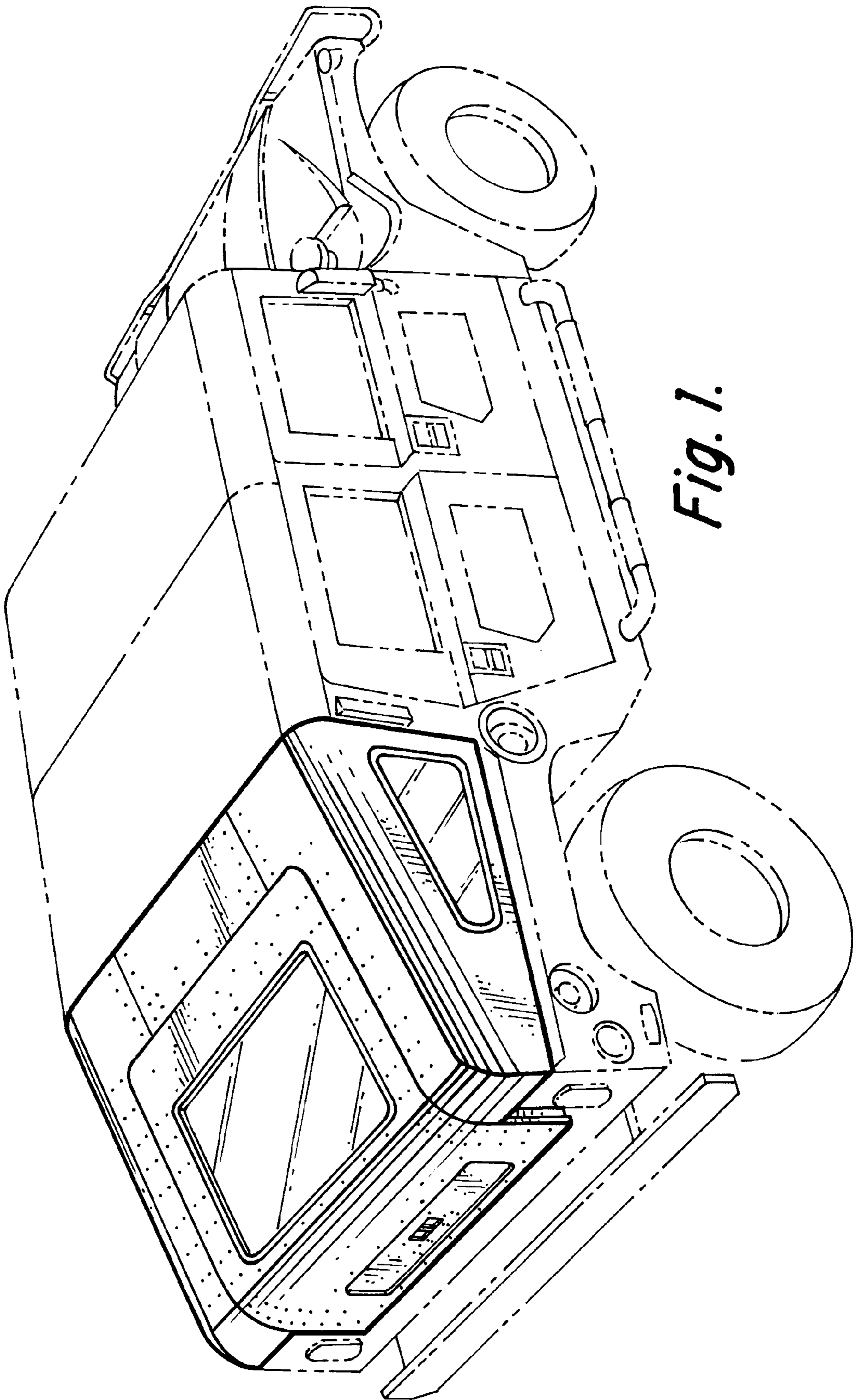


Fig. 1.

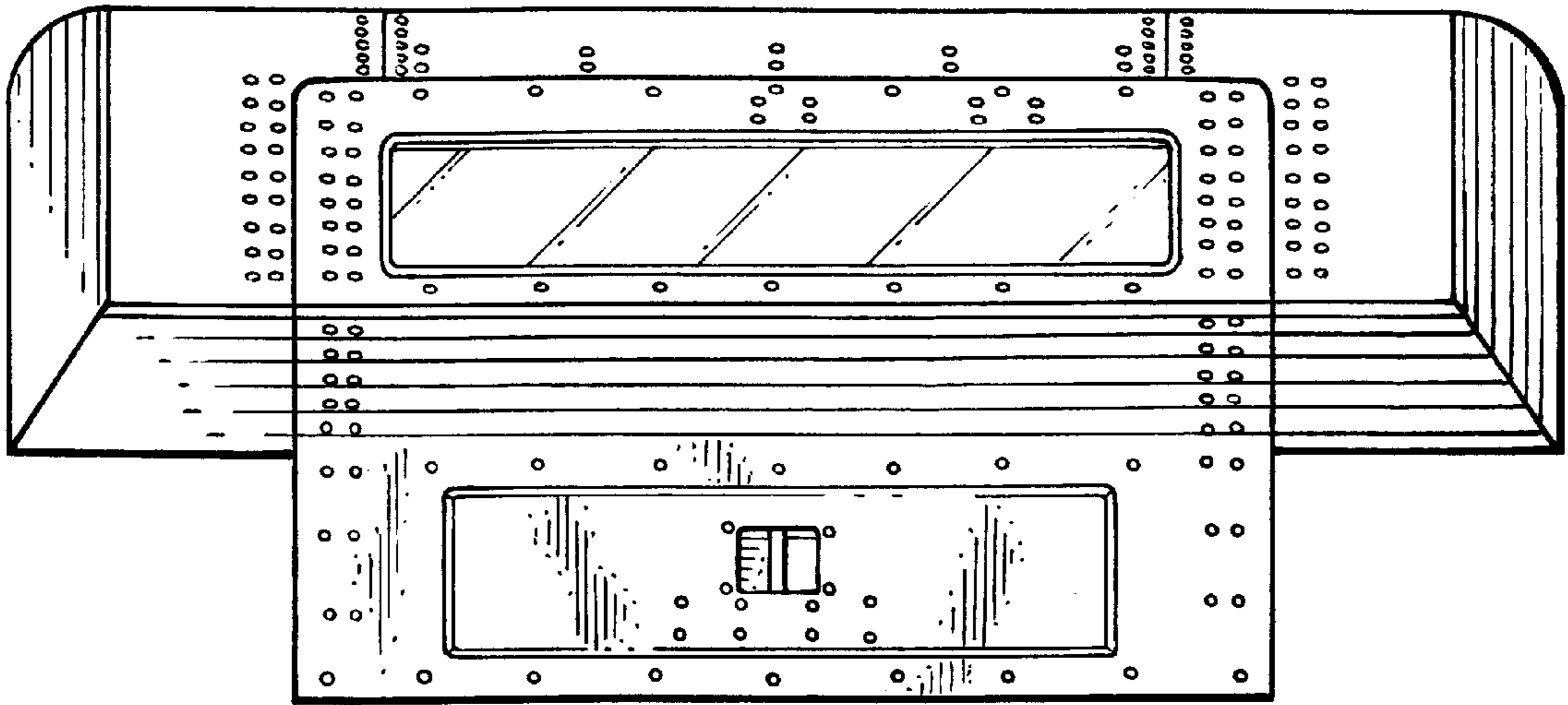


Fig. 2.

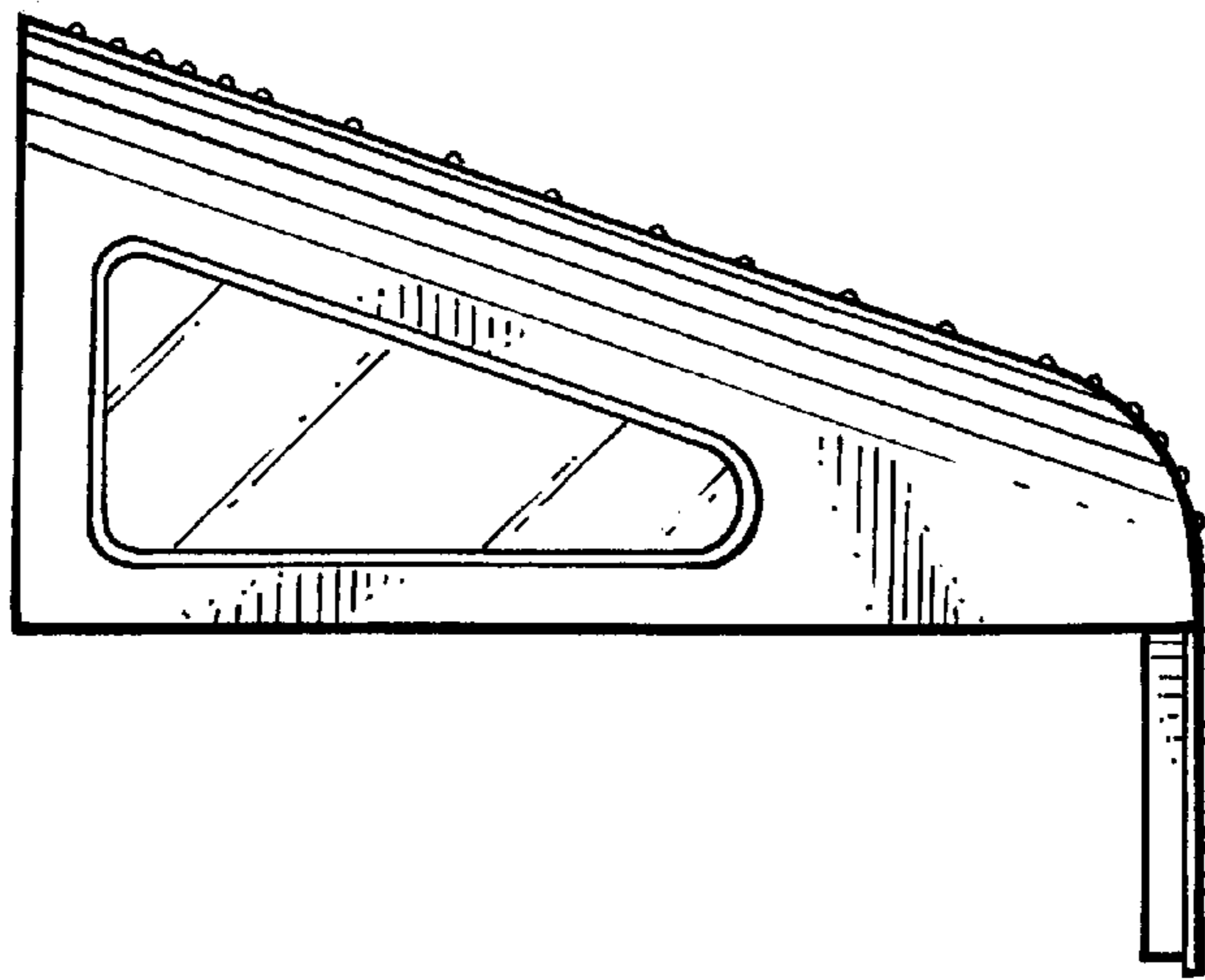


Fig. 3.

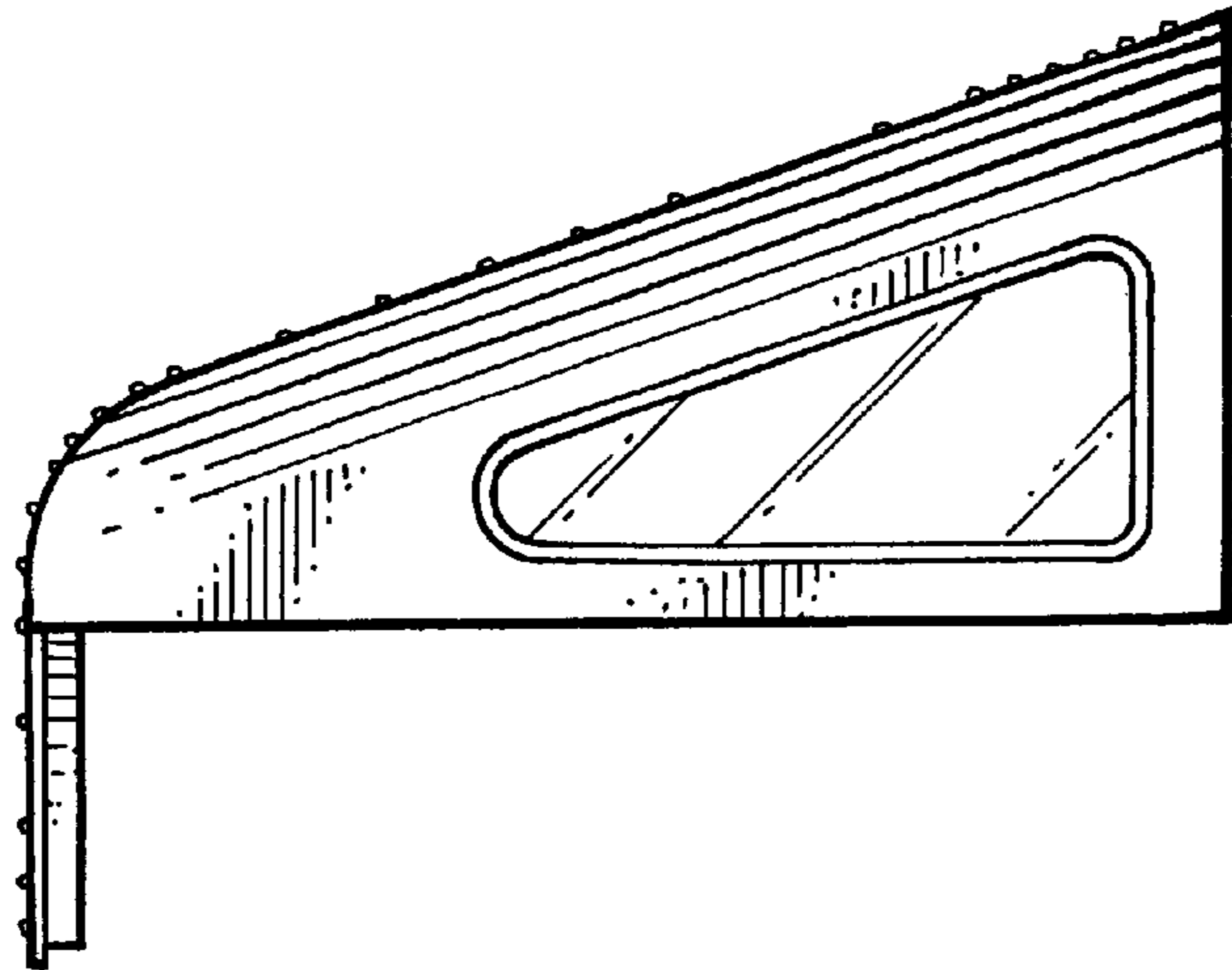


Fig. 4.

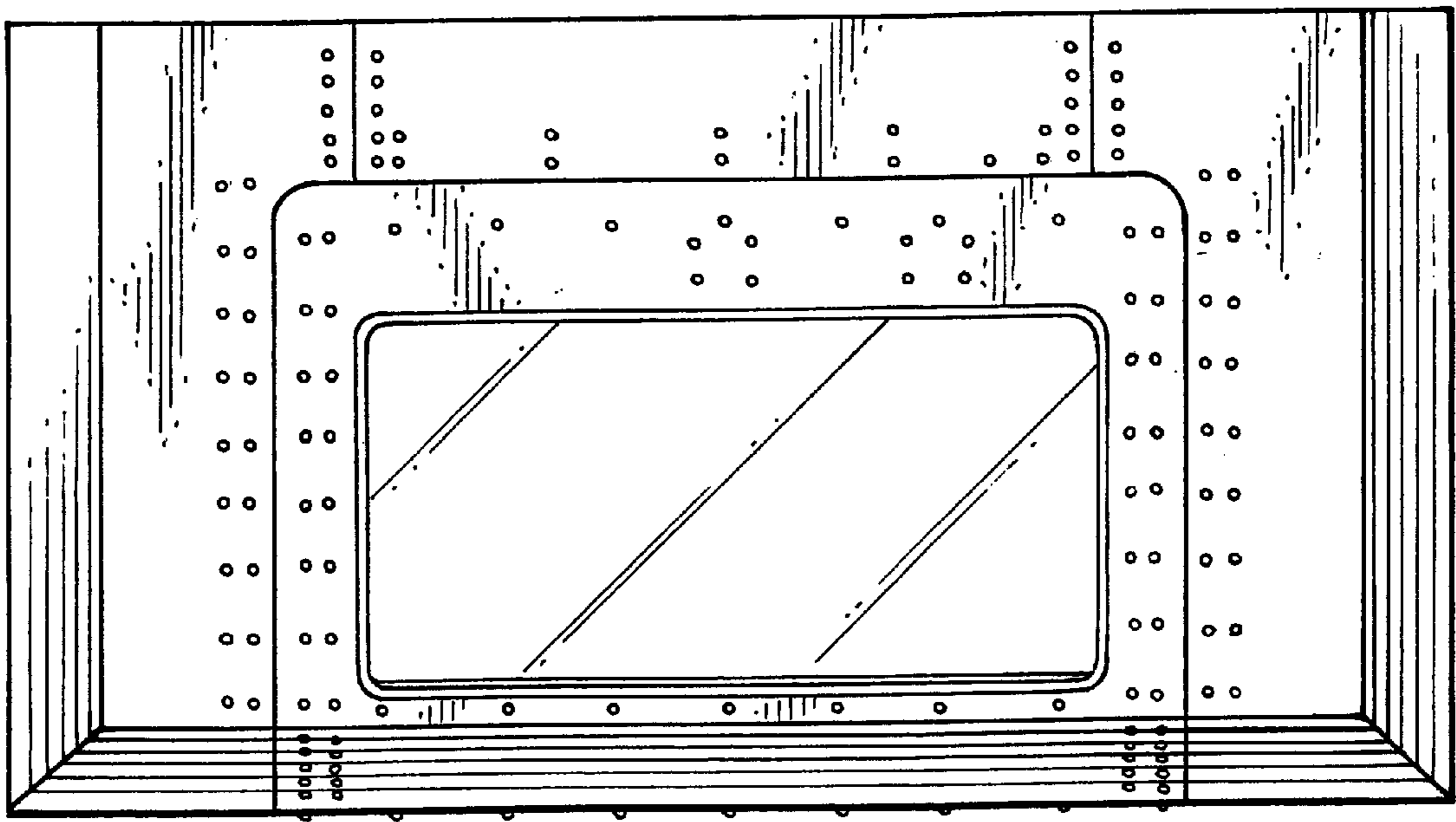


Fig. 5.