



US00D432071S

# United States Patent [19] Brown

[11] Patent Number: **Des. 432,071**

[45] Date of Patent: **\*\* Oct. 17, 2000**

[54] **WHEEL**

[75] Inventor: **Larry Paul Brown, Altadena, Calif.**

[73] Assignee: **Ultra Wheel Co., Buena Park, Calif.**

[\*\*] Term: **14 Years**

[21] Appl. No.: **29/123,114**

[22] Filed: **May 11, 2000**

[51] **LOC (7) Cl.** ..... **12-16**

[52] **U.S. Cl.** ..... **D12/211**

[58] **Field of Search** ..... **D12/204-211;**  
**301/37.1, 64.1, 65**

D. 411,502 6/1999 Chung ..... D12/211  
D. 416,849 11/1999 Weidhase ..... D12/211  
D. 419,945 2/2000 Hartanto ..... D12/211  
D. 425,850 5/2000 Chung ..... D12/211

*Primary Examiner*—Stacia Cadmus  
*Attorney, Agent, or Firm*—Pretty, Schroeder & Poplawski, P.C.

### [57] CLAIM

The ornamental design for a wheel, as shown and described.

### DESCRIPTION

FIG. 1 is a perspective view of a wheel showing my new design;

FIG. 2 is a front elevational view thereof; and,

FIG. 3 is a cross-sectional view thereof taken along the line 3—3 in FIG. 2.

The broken line disclosure in FIGS. 1-3 for illustrative purposes only and forms no part of the claimed design.

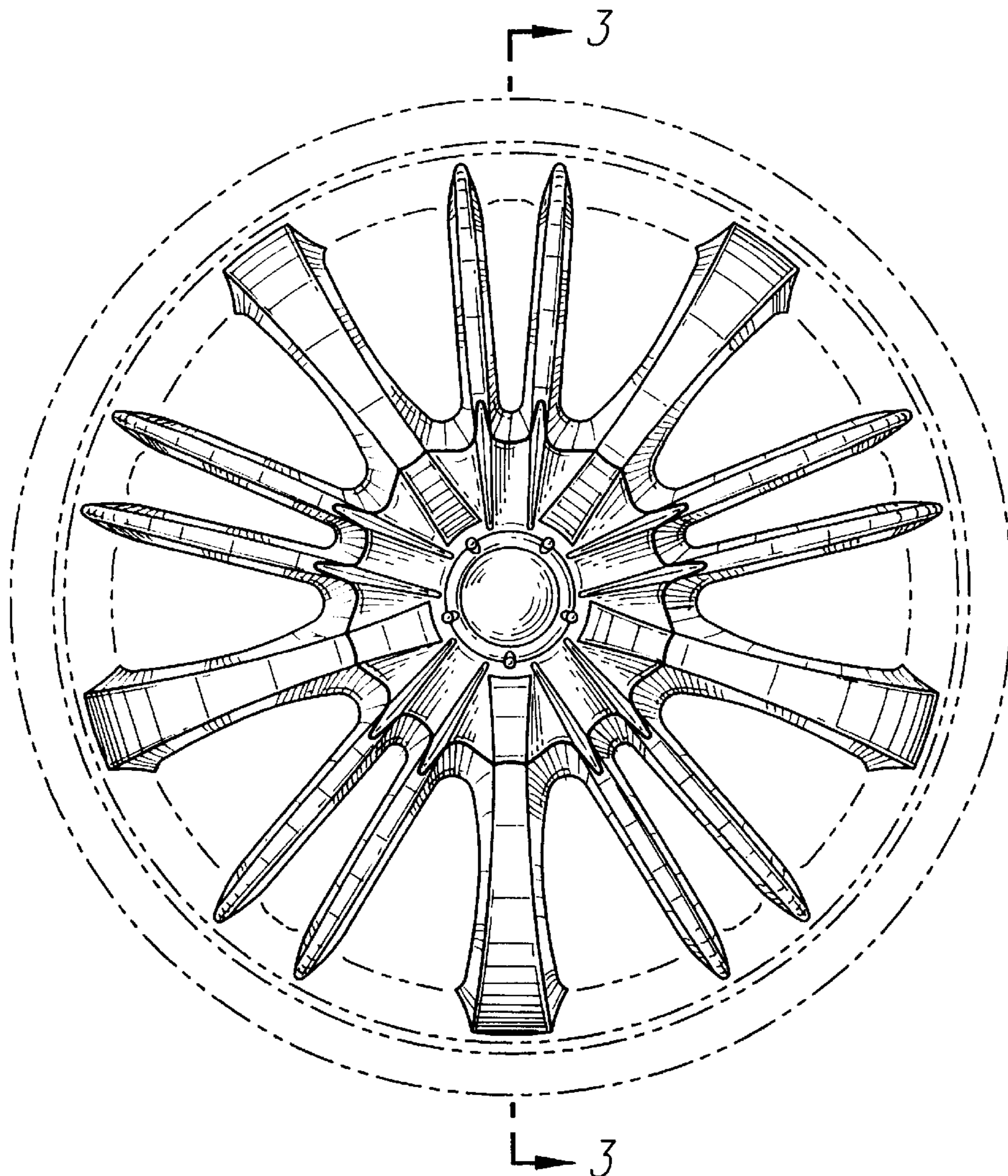
The rear of the wheel forms no part of the claimed design.

### [56] References Cited

#### U.S. PATENT DOCUMENTS

D. 375,076 10/1996 Cattaneo ..... D12/211  
D. 392,236 3/1998 Noriega ..... D12/209  
D. 405,749 2/1999 Kulla ..... D12/211  
D. 409,552 5/1999 Chung ..... D12/211  
D. 410,886 6/1999 Nishida ..... D12/211

**1 Claim, 3 Drawing Sheets**



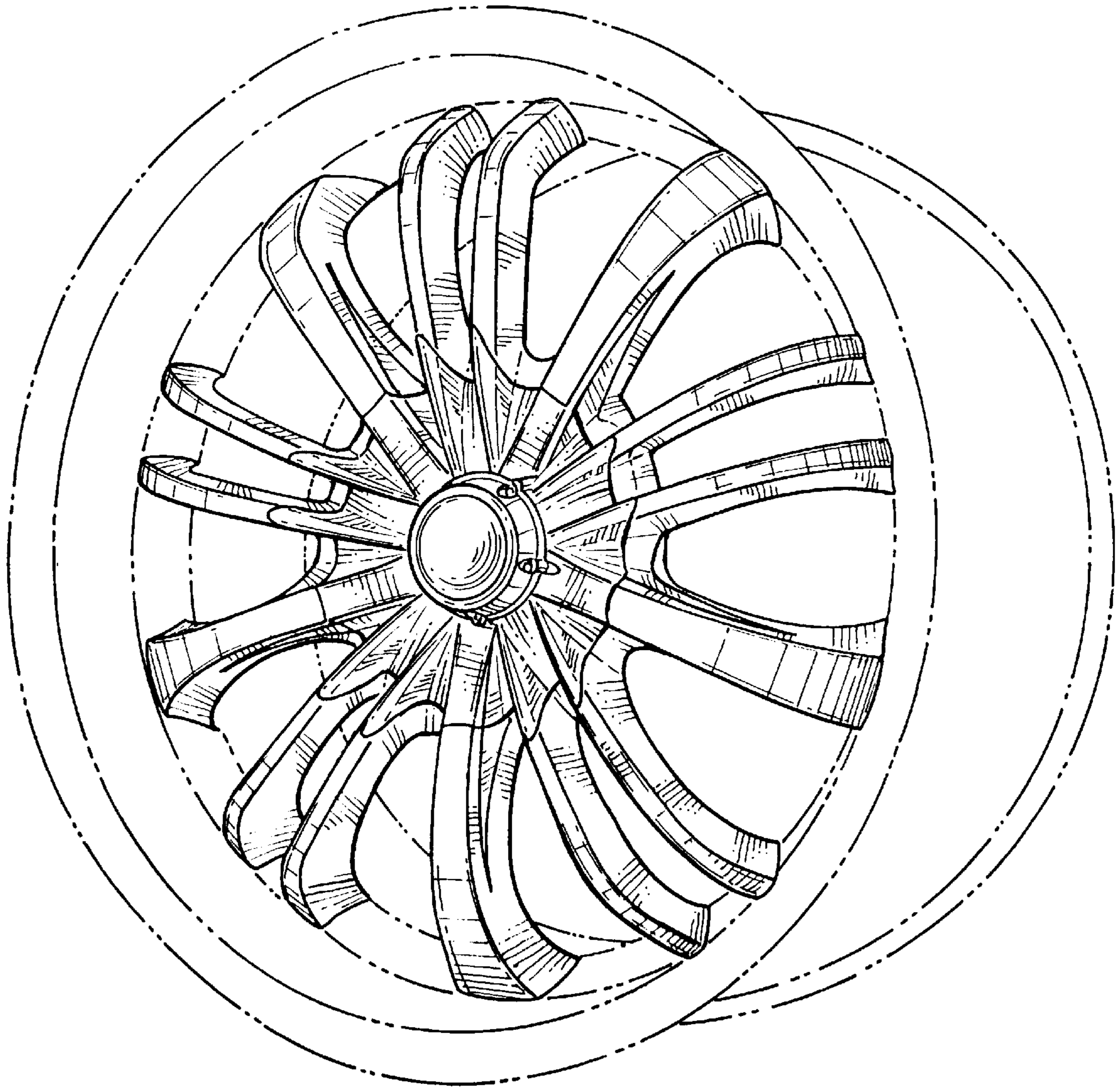
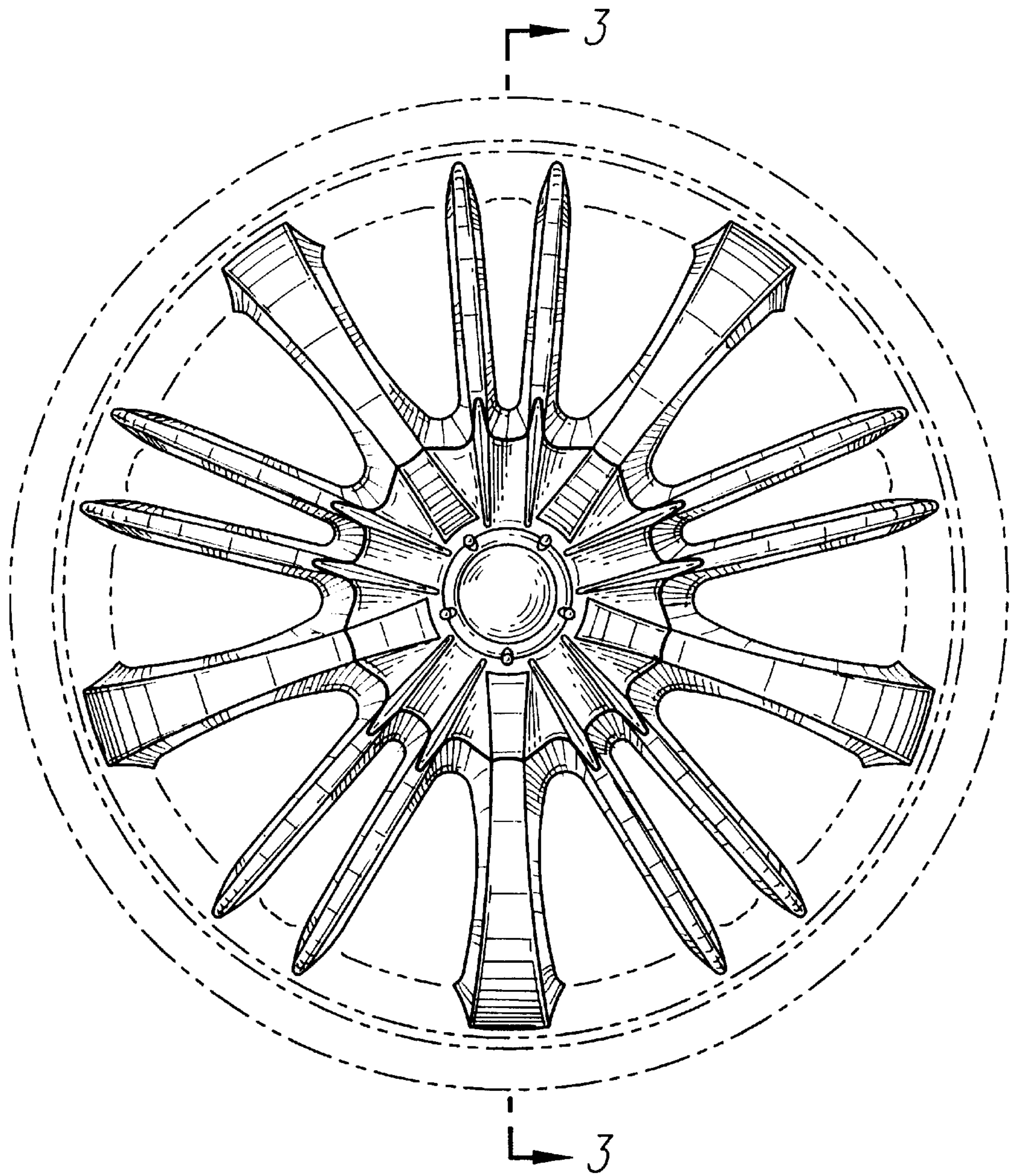


FIG. 1



FIG. 2



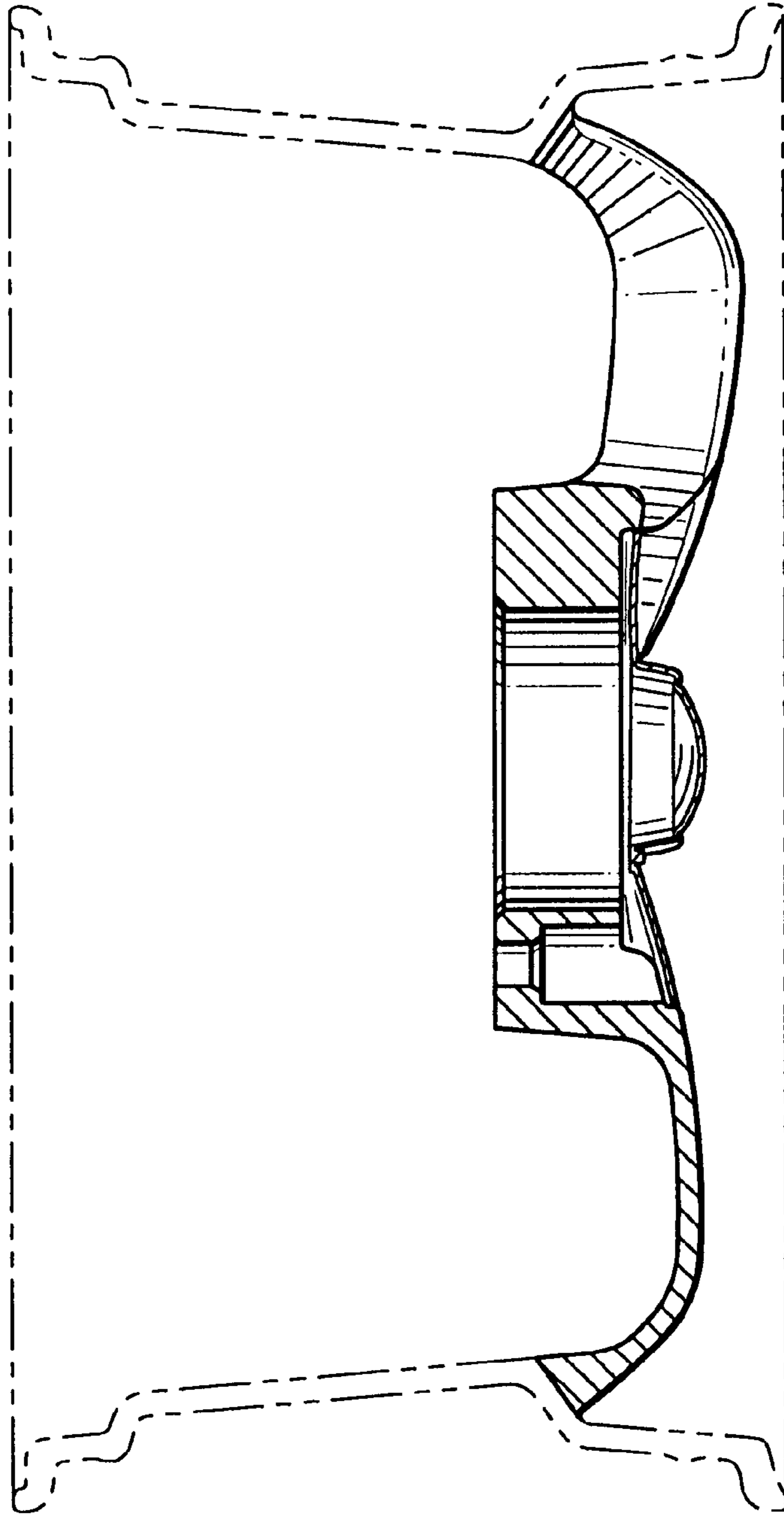


FIG. 3

UNITED STATES PATENT AND TRADEMARK OFFICE  
**CERTIFICATE OF CORRECTION**

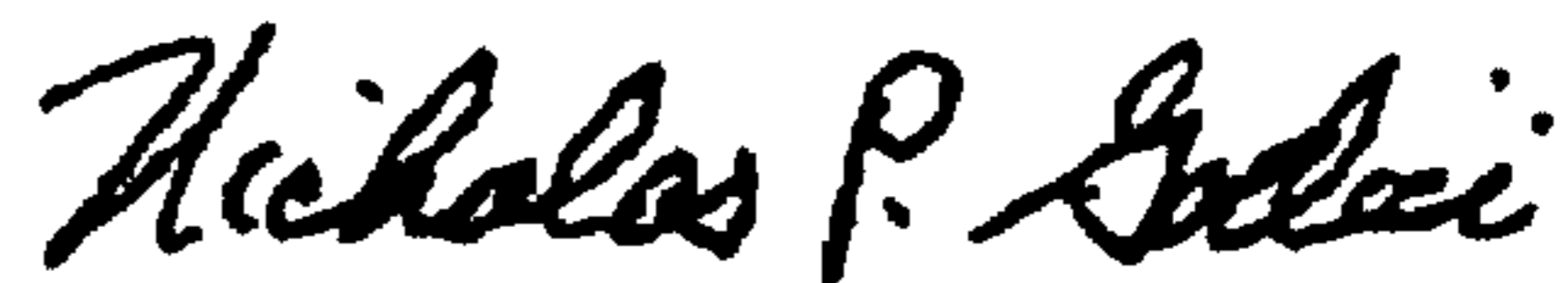
PATENT NO. : Des. 432,071  
DATED : October 17, 2000  
INVENTOR(S) : Larry P. Brown

It is certified that error appears in the above-identified patent and that said Letters Patent are hereby corrected as shown below:

**Assignee: Arelli Alloy Wheels, Inc.**  
**Los Angeles, CA**

Signed and Sealed this  
Twenty-ninth Day of May, 2001

*Attest:*



NICHOLAS P. GODICI

*Attesting Officer*

*Acting Director of the United States Patent and Trademark Office*