



US00D432070S

United States Patent [19]
Melbinger

[11] **Patent Number: Des. 432,070**

[45] **Date of Patent: ** Oct. 17, 2000**

[54] **VEHICLE WHEEL FRONT FACE**

D. 351,581 10/1994 Chung D12/209
D. 356,538 3/1995 Botterman D12/209
D. 388,760 1/1998 Sacco et al. D12/209

[75] Inventor: **Don Melbinger**, Placentia, Calif.

[73] Assignee: **American Racing Equipment, Inc.**,
Rancho Dominguez, Calif.

[**] Term: **14 Years**

[21] Appl. No.: **29/076,664**

[22] Filed: **Sep. 12, 1997**

[51] **LOC (7) Cl.** **12-16**

[52] **U.S. Cl.** **D12/210**

[58] **Field of Search** D12/204-213;
301/64.1, 65, 37.1

OTHER PUBLICATIONS

Type 415 Ultra Custom Wheels, published in 1994 Performance Wheel, Tire & Suspension Handbook.
VR-12 Cyclone by Weld Racing, published in 1994 Performance Wheel, Tire & Suspension Handbook.

Primary Examiner—Stacia Cadmus
Attorney, Agent, or Firm—Thompson Hine & Flory LLP

[57] **CLAIM**

The ornamental design for a vehicle wheel front face, as shown and described.

DESCRIPTION

FIG. 1 is a front perspective view of my new vehicle wheel front face;

FIG. 2 is a front elevational view thereof; and,

FIG. 3 is a front fragmentary view thereof.

The broken lines in FIG. 1 are for illustrative purposes only and the subject matter depicted thereby constitutes no part of the claimed design.

[56] **References Cited**

U.S. PATENT DOCUMENTS

D. 51,154	8/1917	Rosenfeld	D12/210
D. 99,805	5/1936	Horn	D12/210
D. 103,779	3/1937	Hunt	D12/210
D. 190,370	5/1961	Roberts	D12/210
D. 196,789	11/1963	Pyshe	D12/210
D. 213,314	2/1969	Reid	D12/210
D. 214,243	5/1969	Reid	D12/210
D. 334,730	4/1993	Chung	D12/209

1 Claim, 2 Drawing Sheets

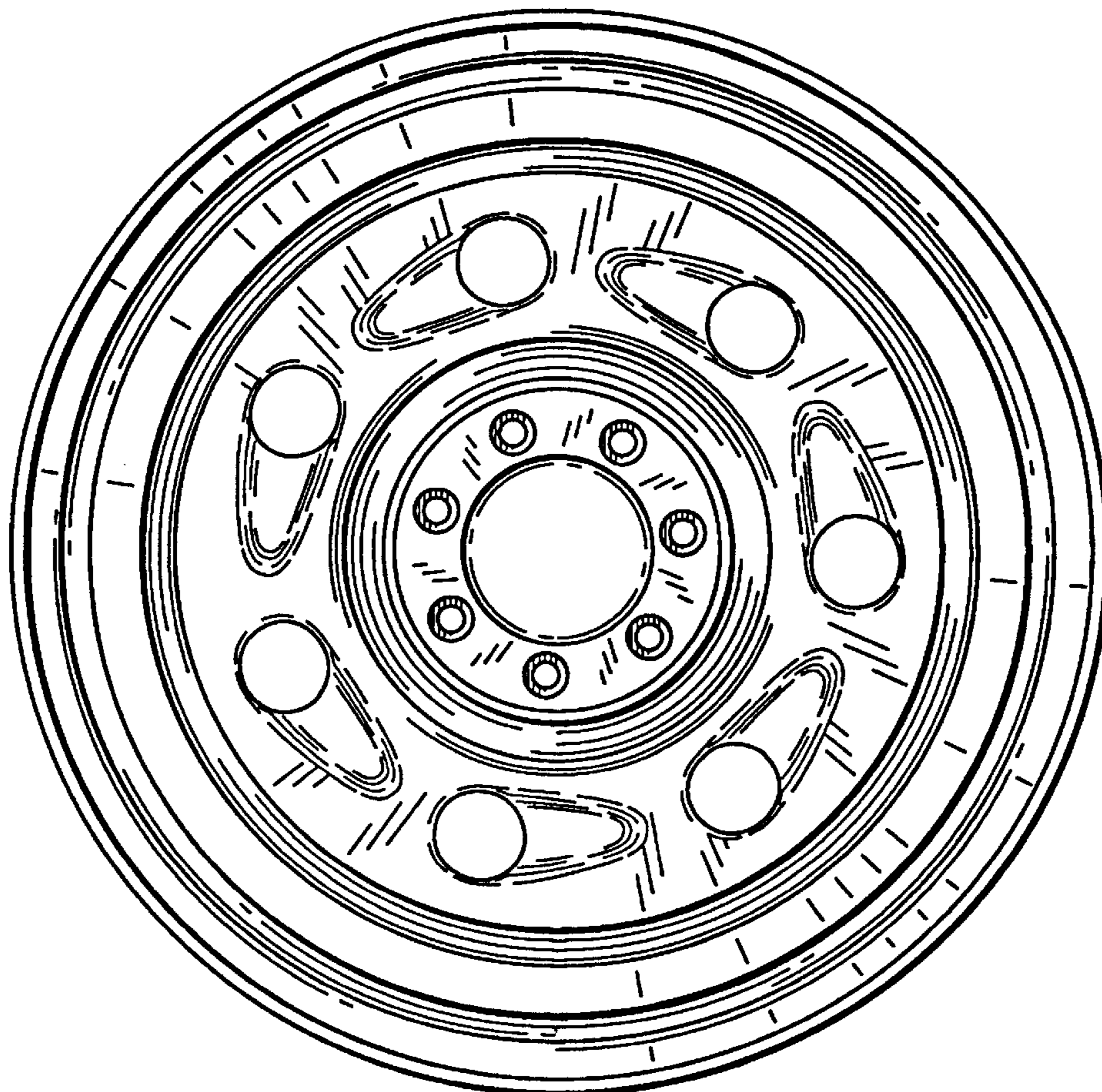


FIG. 1

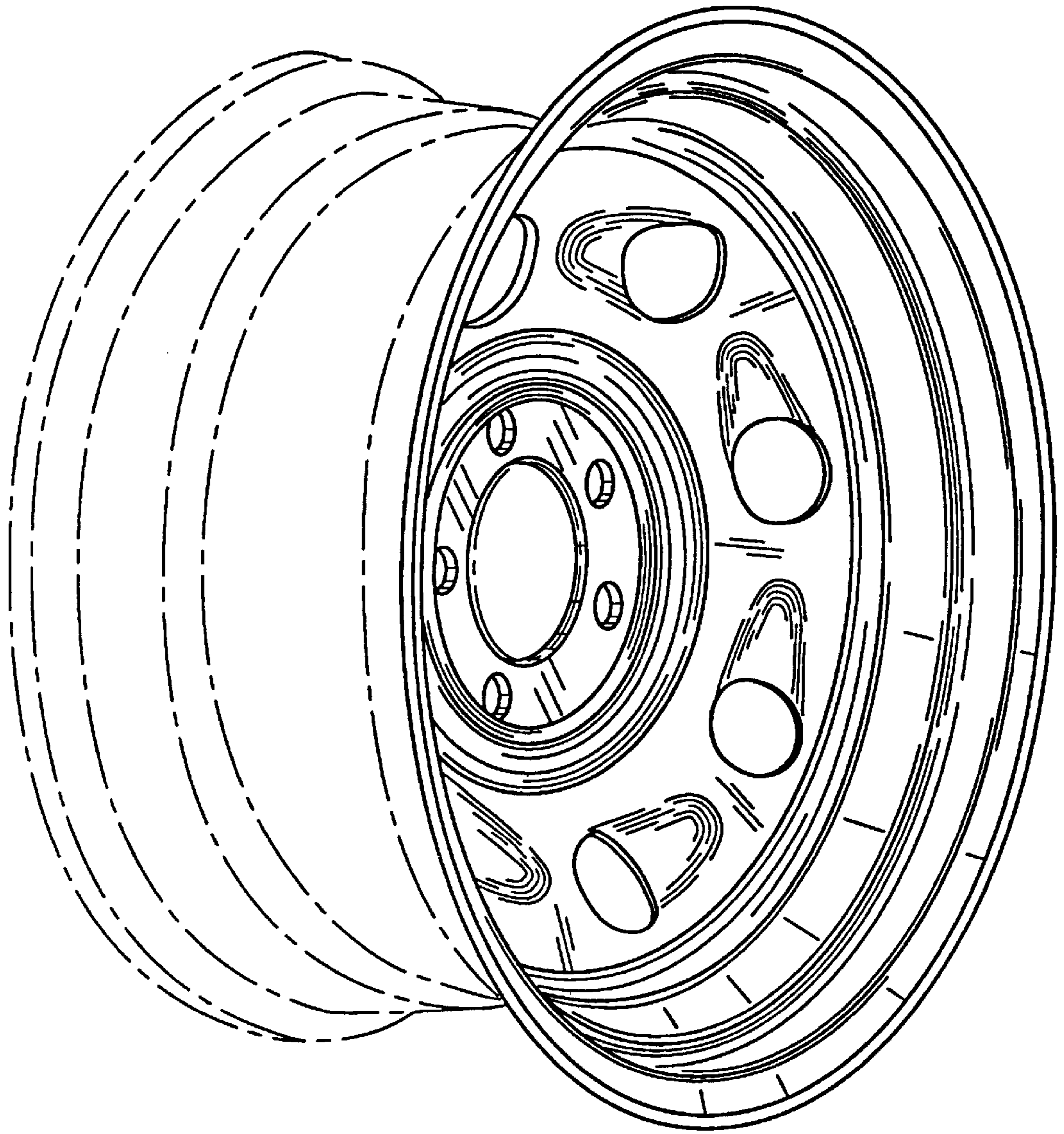


FIG. 2

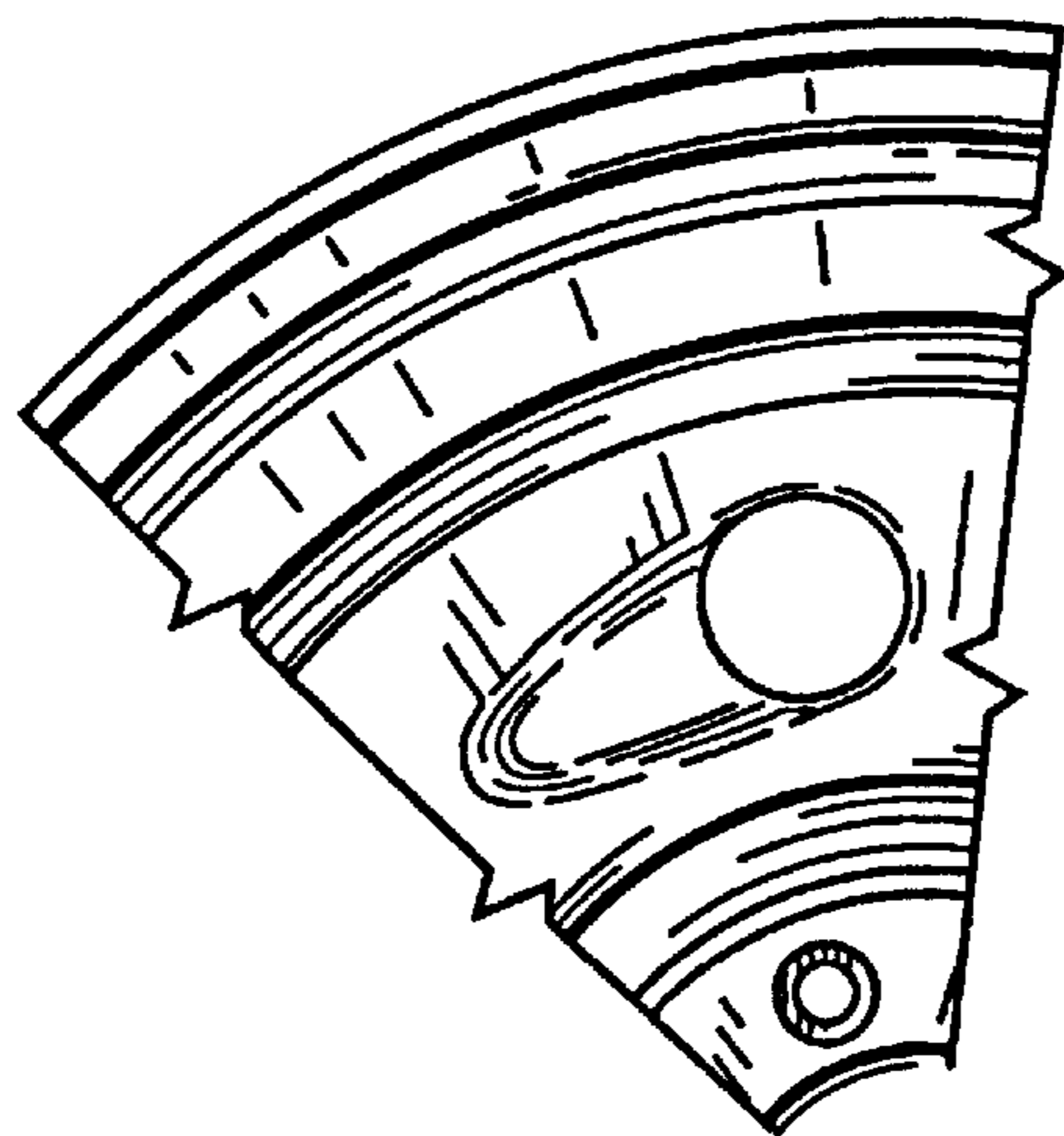
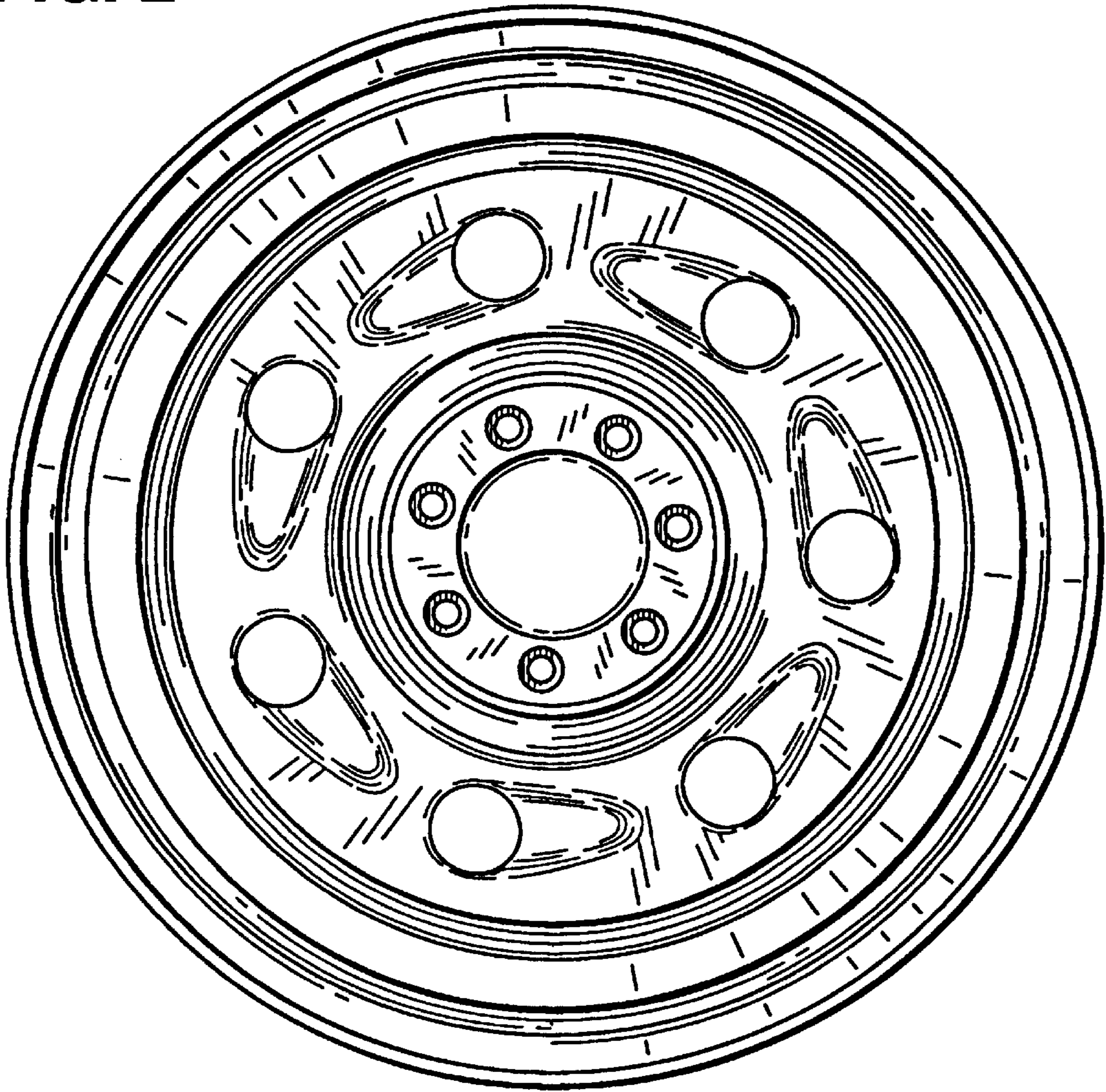


FIG. 3