

US00D432067S

United States Patent [19]

Tsai

[11] Patent Number: Des. 432,067

[45] Date of Patent: ** Oct. 17, 2000

[54] WHEEL RIM OF A STROLLER

[76] Inventor: Cheng-Che Tsai, 58, Ma Yuan West St., Taichung, Taiwan

[**] Term: 14 Years

[21] Appl. No.: 29/107,619

[22] Filed: Jul. 9, 1999

[51] LOC (7) Cl. 12-16

[52] U.S. Cl. D12/209

[58] Field of Search D12/204-213; 301/64.1, 65, 37.1, 64.2-64.4, 64.7, 39.1

[56] References Cited

U.S. PATENT DOCUMENTS

D. 350,523	9/1994	Mobius	D12/209
D. 359,938	7/1995	Chien	D12/209
D. 359,939	7/1995	Chien	D12/209
D. 364,844	12/1995	Chien	D12/209
D. 375,286	11/1996	Abbott	D12/209
D. 383,722	9/1997	Sgalia et al.	D12/209

D. 384,026	9/1997	Chrysanto	D12/209
D. 403,649	1/1999	Moreno	D12/211
D. 407,363	3/1999	Muzzarelli	D12/209
D. 410,614	6/1999	Fitzgerald	D12/209
D. 411,501	6/1999	Cullen	D12/209
D. 412,148	7/1999	Fitzgerald	D12/209

Primary Examiner—Stacia Cadmus

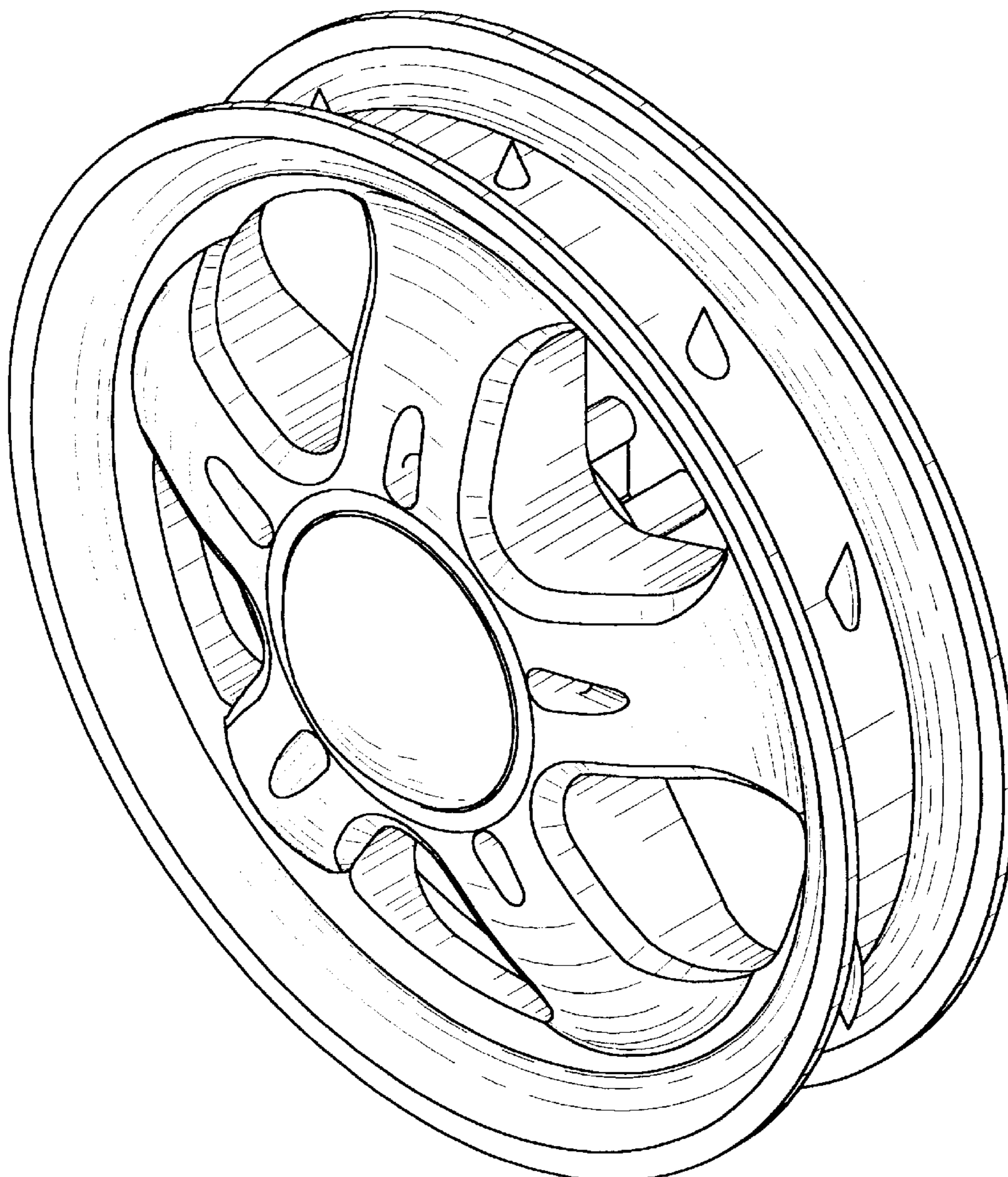
[57] CLAIM

The ornamental design for a wheel rim of a stroller, as shown and described.

DESCRIPTION

FIG. 1 is a perspective view of wheel rim of a stroller showing my new design;
 FIG. 2 is a front elevational view thereof;
 FIG. 3 is a left side elevational view thereof;
 FIG. 4 is a right side elevational view thereof;
 FIG. 5 is a top plan view thereof; and,
 FIG. 6 is a bottom plan view thereof.

1 Claim, 4 Drawing Sheets



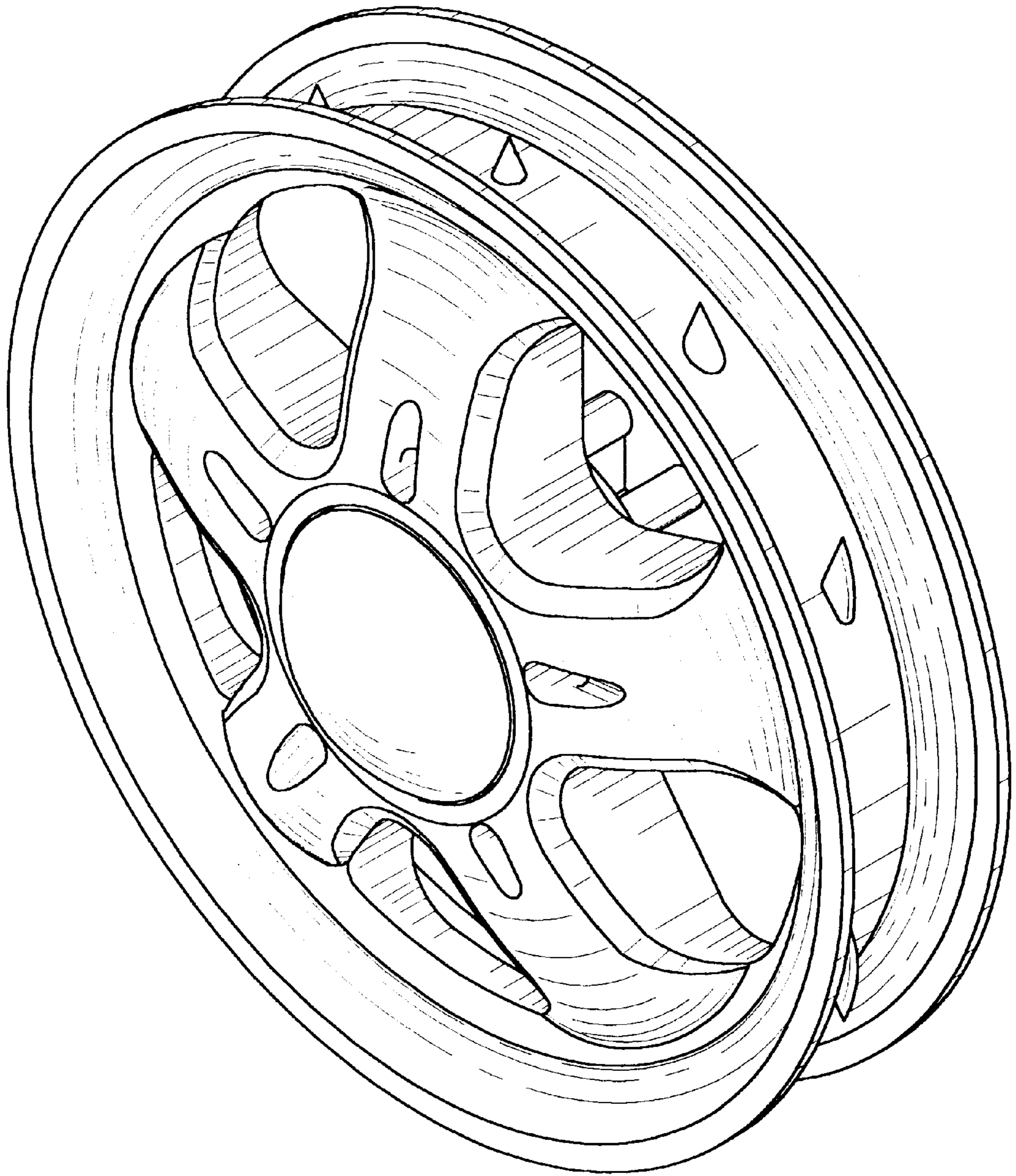


FIG. 1

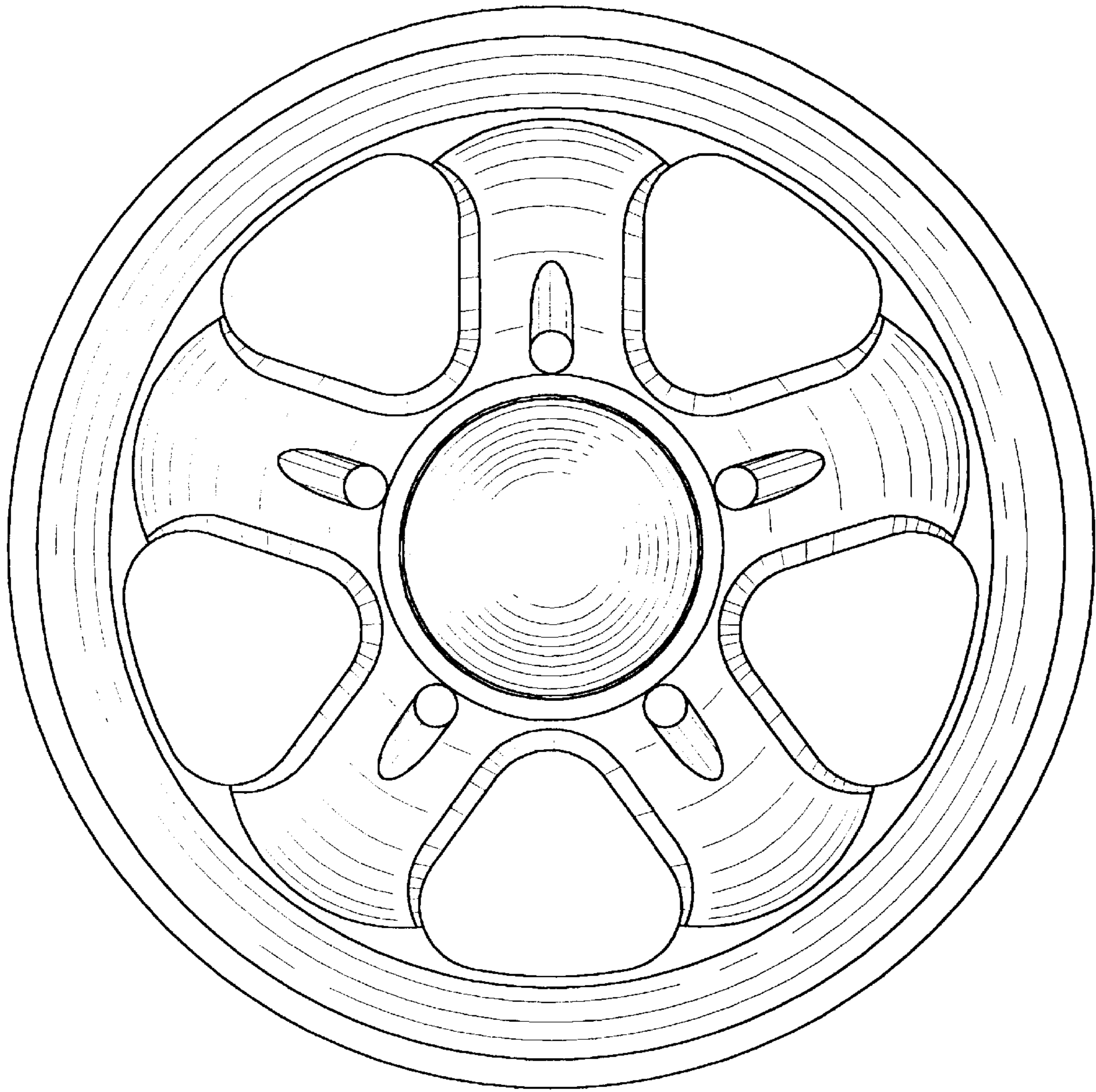


FIG. 2

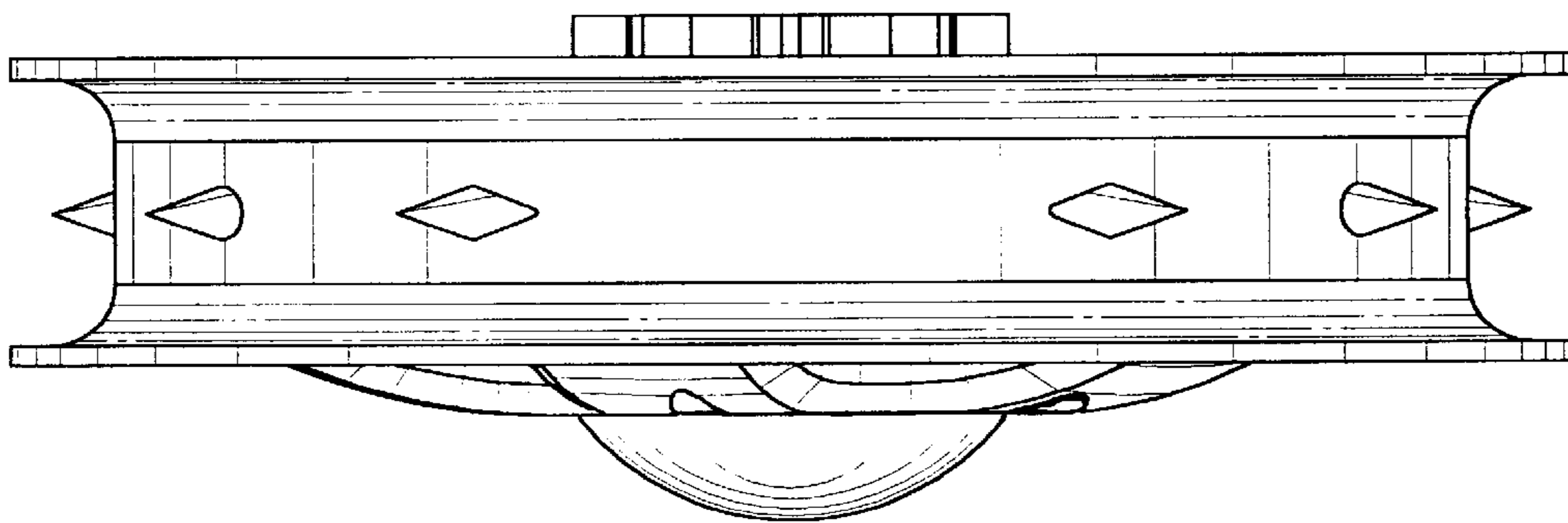


FIG. 4

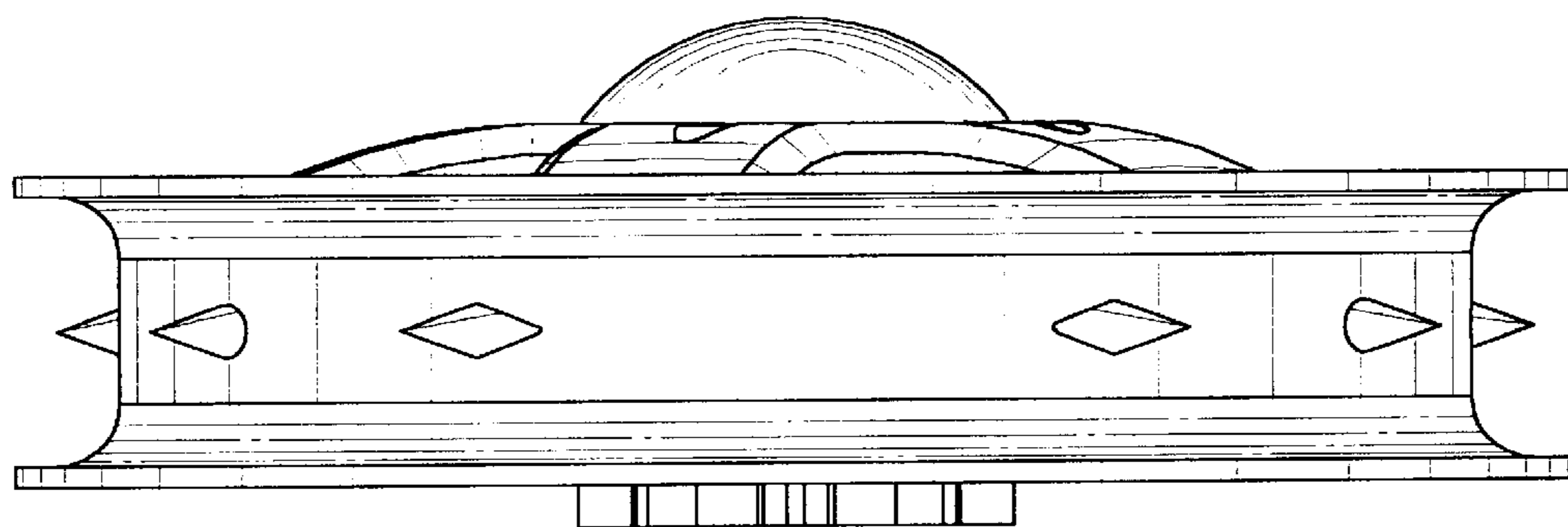


FIG. 3

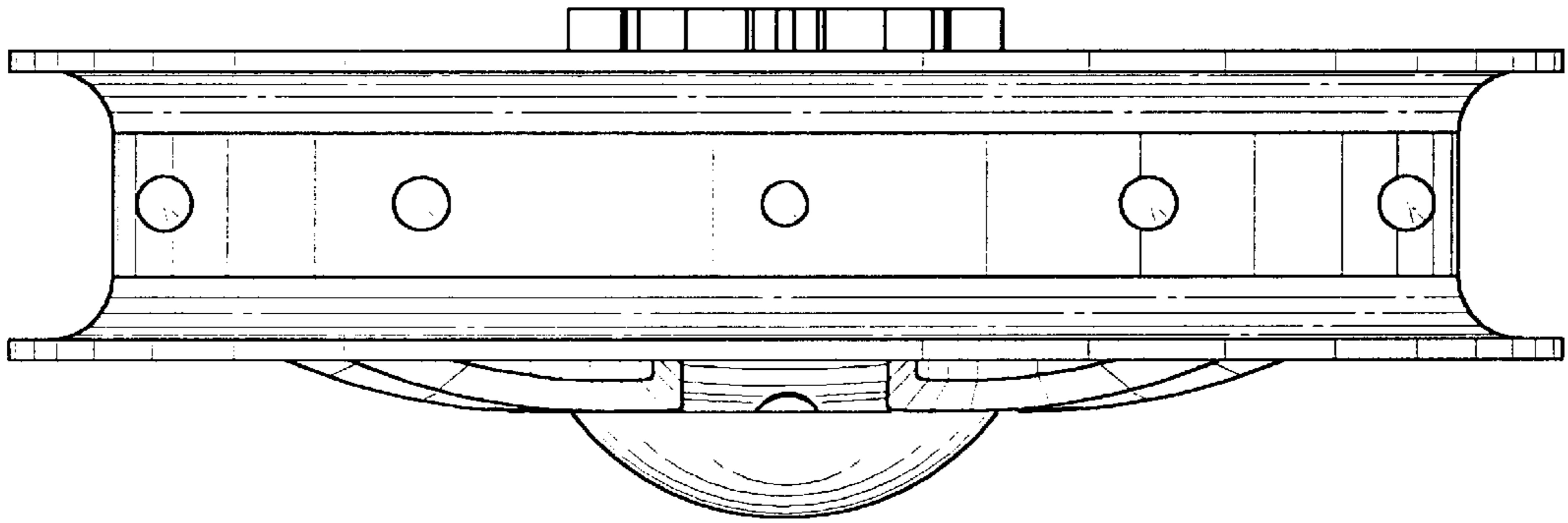


FIG. 5

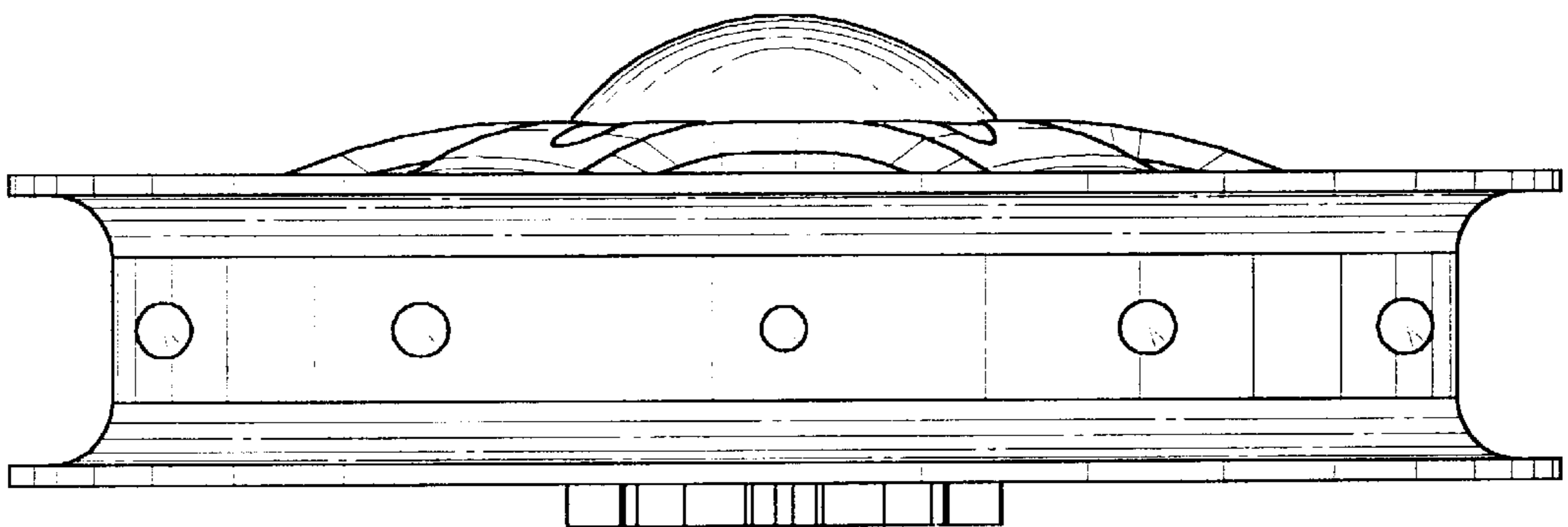


FIG. 6