



US00D432064S

United States Patent [19] Hartog

[11] Patent Number: Des. 432,064

[45] Date of Patent: ** Oct. 17, 2000

[54] TAIL LIGHT GUARD

[75] Inventor: John Hartog, Tenafly, N.J.

[73] Assignee: Elegant USA, LLC, Totowa, N.J.

[**] Term: 14 Years

[21] Appl. No.: 29/108,509

[22] Filed: Jul. 28, 1999

[51] LOC (7) Cl. 12-16

[52] U.S. Cl. D12/190

[58] Field of Search D12/190, 167,
D12/98, 400; D26/139; 280/770; 293/126

[56] References Cited

U.S. PATENT DOCUMENTS

D. 178,895	10/1956	McKnight	D12/167
D. 300,420	3/1989	Trinnaman	.	
D. 318,537	7/1991	Allman	D26/139
D. 333,457	2/1993	Foe	.	
D. 345,124	3/1994	Lewellen	.	
D. 361,316	8/1995	Orth	.	
D. 364,704	11/1995	Alger	D12/190 X
D. 376,782	12/1996	Kincart	.	
D. 383,719	9/1997	Thorne	.	
D. 384,625	10/1997	Thorne	.	
D. 388,042	12/1997	Thorne	.	
D. 390,821	2/1998	Thorne et al.	D12/190
4,671,552	6/1987	Anderson	.	
5,215,343	6/1993	Fortune	.	
5,277,465	1/1994	Weir	.	

OTHER PUBLICATIONS

Tal & Hadas—Metal Accessories Brochure, Aug. 1996, pp. 2,6,3,7.

Keyparts Auto Stores, Parts and Accessories Catalog, 1997, pp. 523-530, 532, 534-536, 538, 540, 541, 543, 556, E.

Primary Examiner—Doris V. Coles

Assistant Examiner—Stacia Cadmus

Attorney, Agent, or Firm—Weingram & Associates, P.C.

[57] CLAIM

I claim the ornamental design for a tail light guard, as shown and described.

DESCRIPTION

FIG. 1 is a front perspective view of the first embodiment of a tail light guard, showing my new design;

FIG. 2 is an end view thereof;

FIG. 3 is a front elevation view thereof;

FIG. 4 is a side view thereof;

FIG. 5 is a side view thereof opposite to that shown in FIG. 4;

FIG. 6 is a rear elevational view thereof opposite to that shown in FIG. 3;

FIG. 7 is an end view thereof opposite to that shown in FIG. 2; and,

FIG. 8 is a front perspective view of a second embodiment of a tail light guard, showing my new design, which is a mirror image of that shown in FIGS. 1-7.

1 Claim, 5 Drawing Sheets

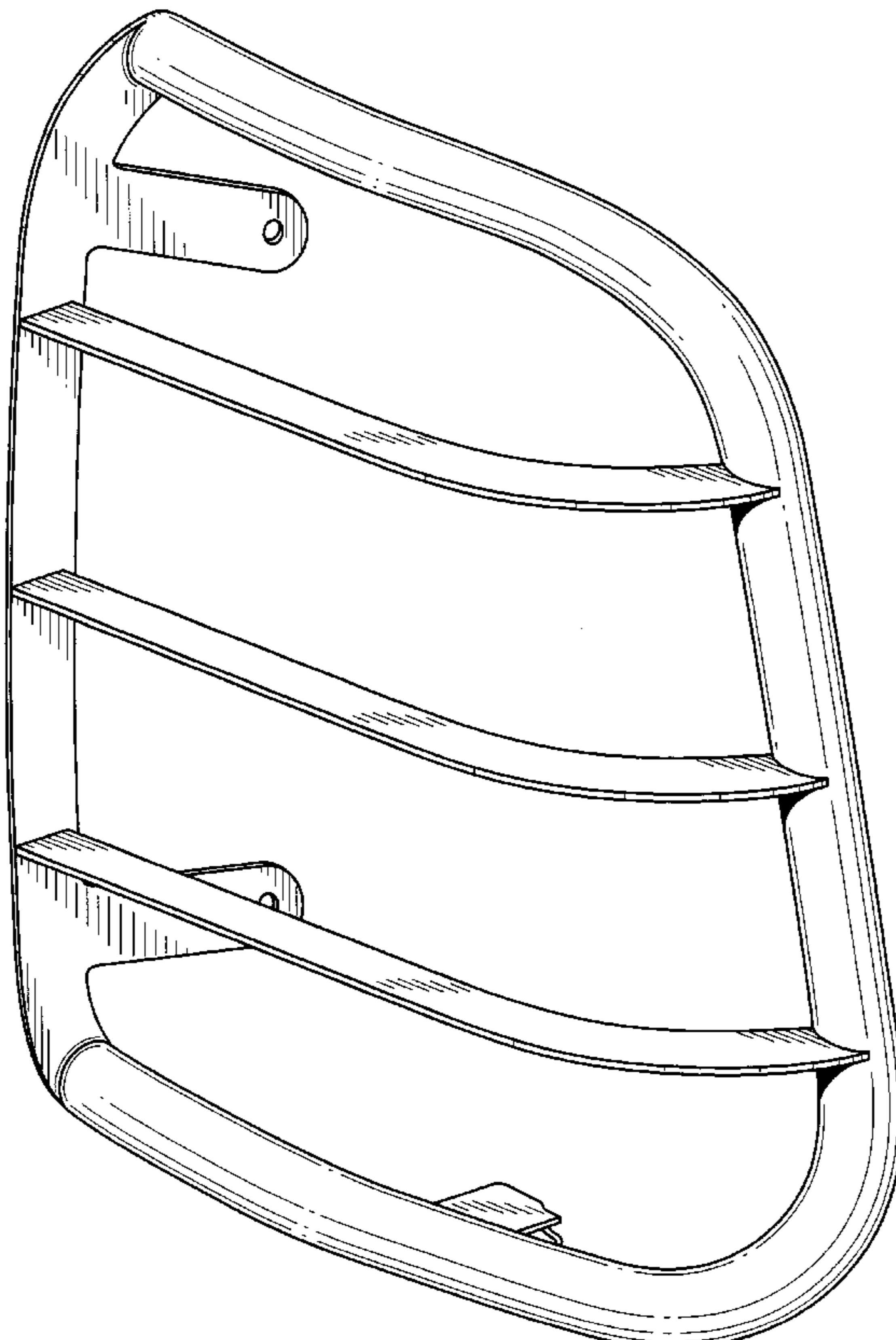
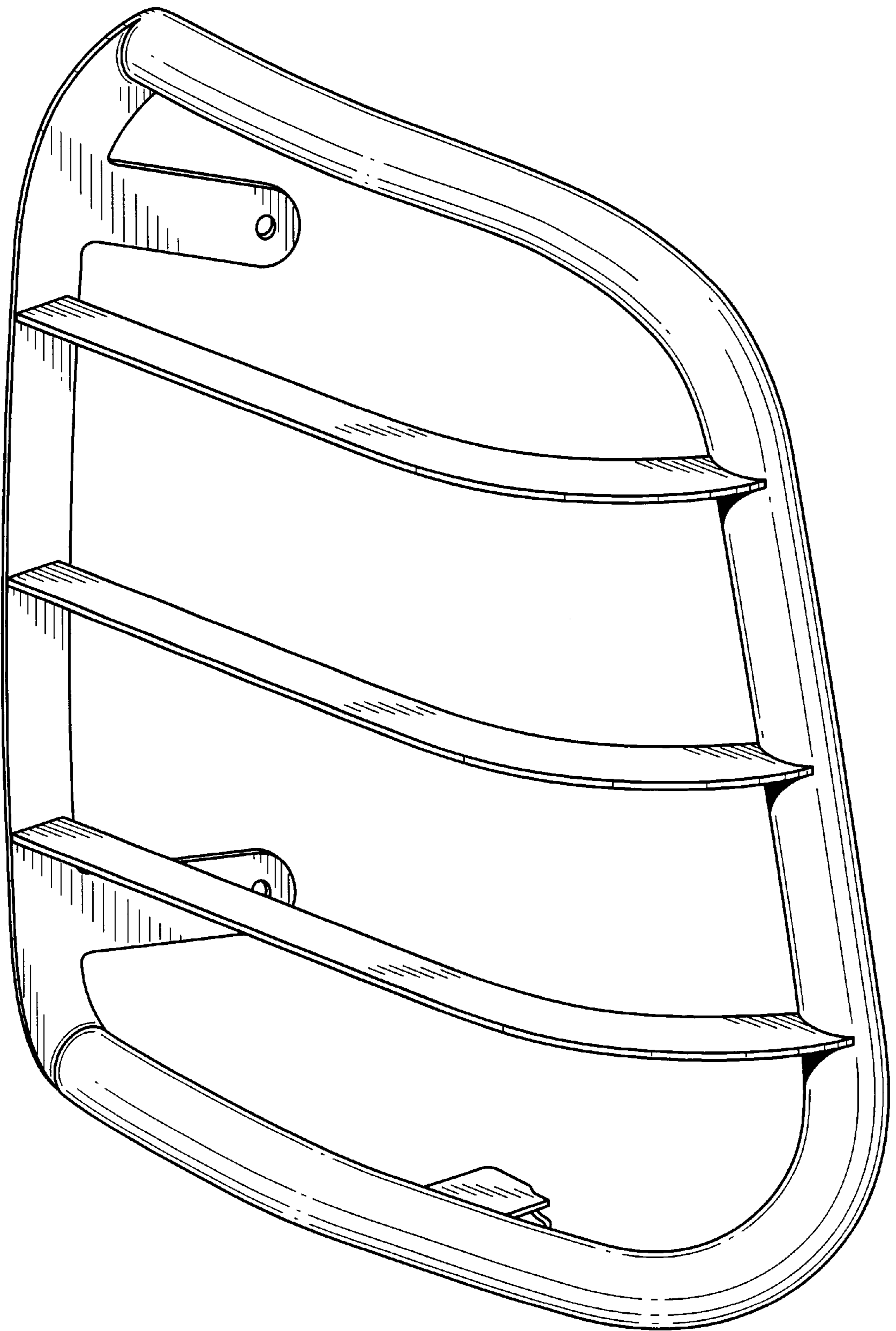


FIG. 1



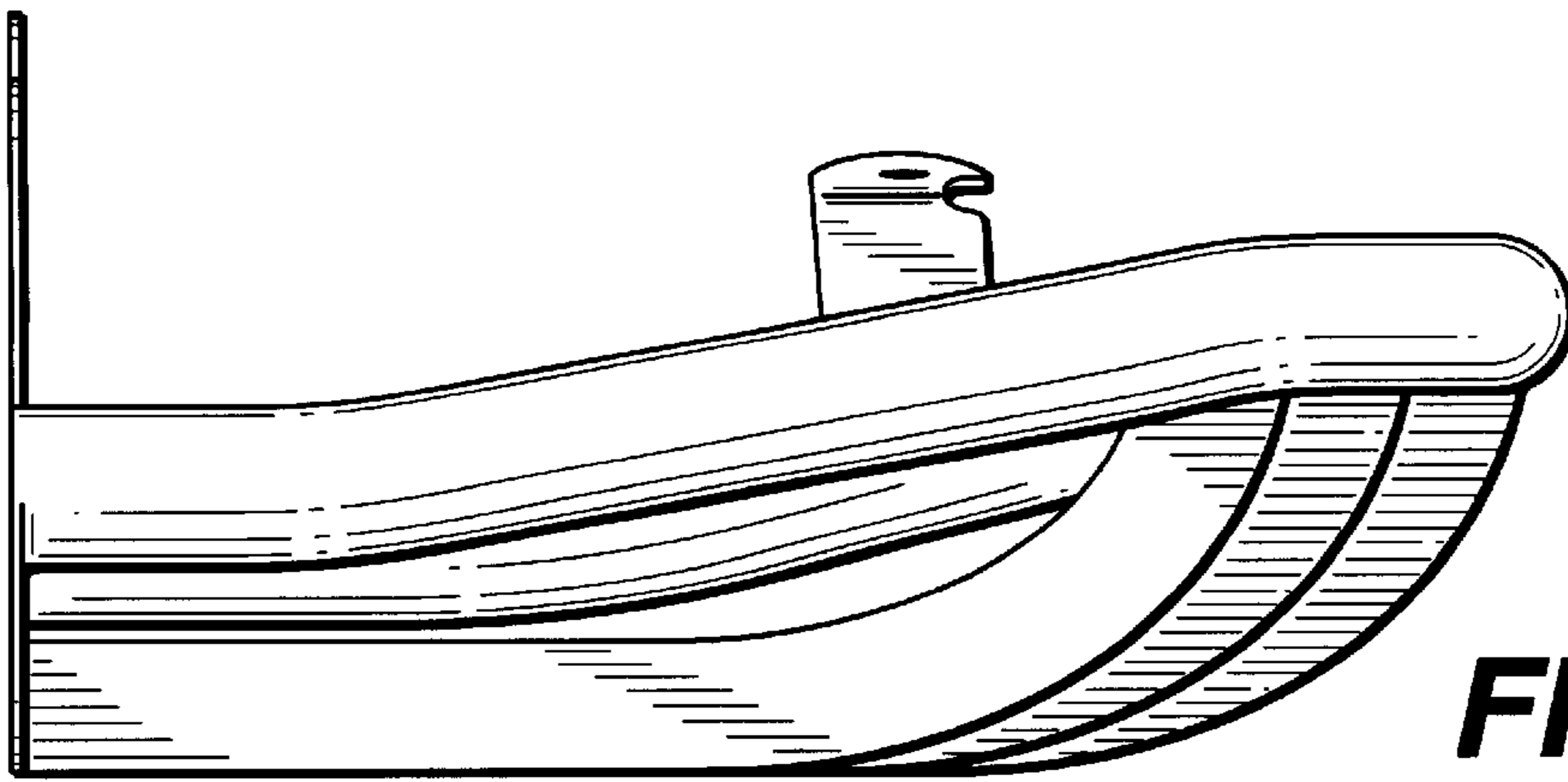


FIG. 2

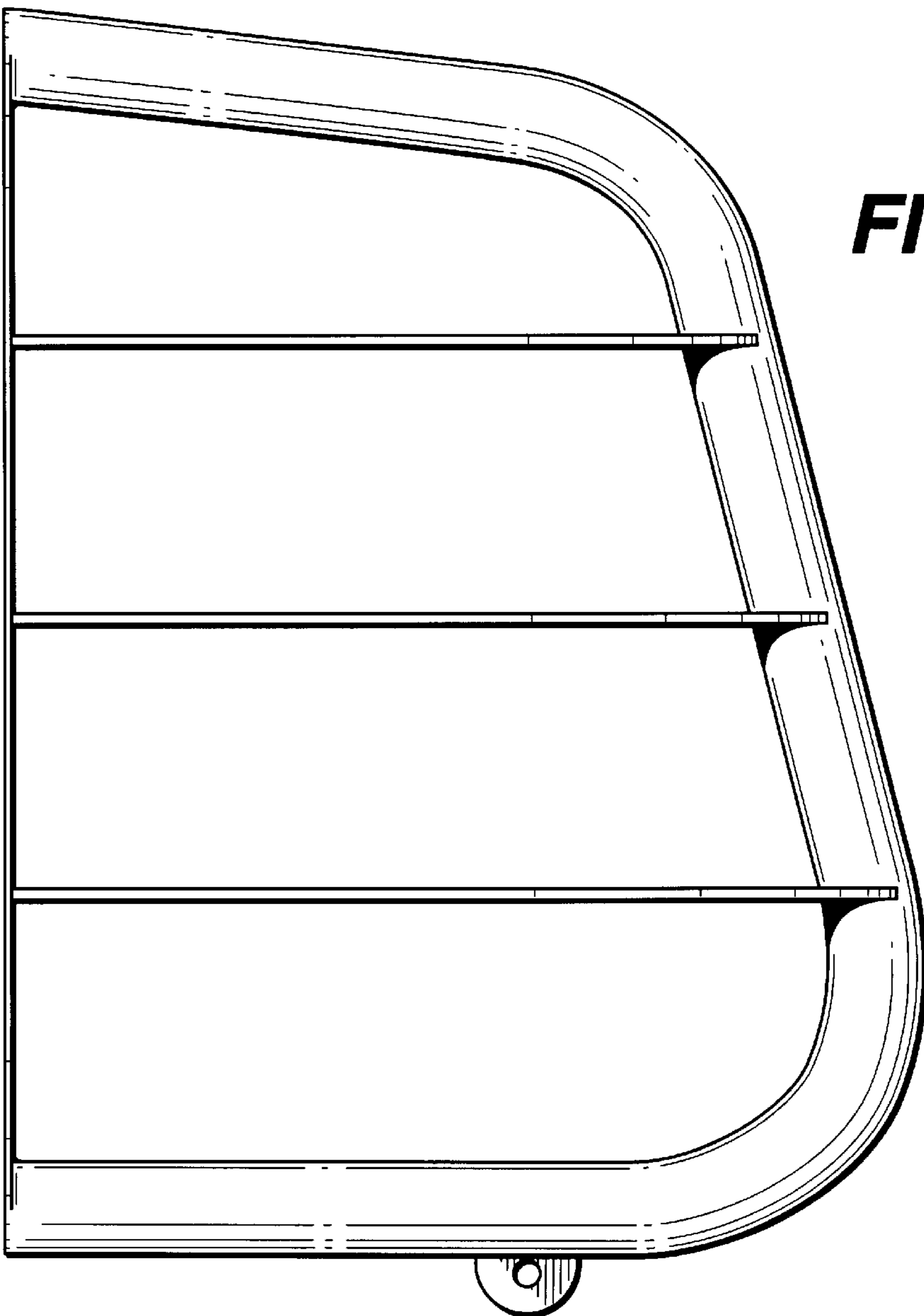


FIG. 3

FIG. 4

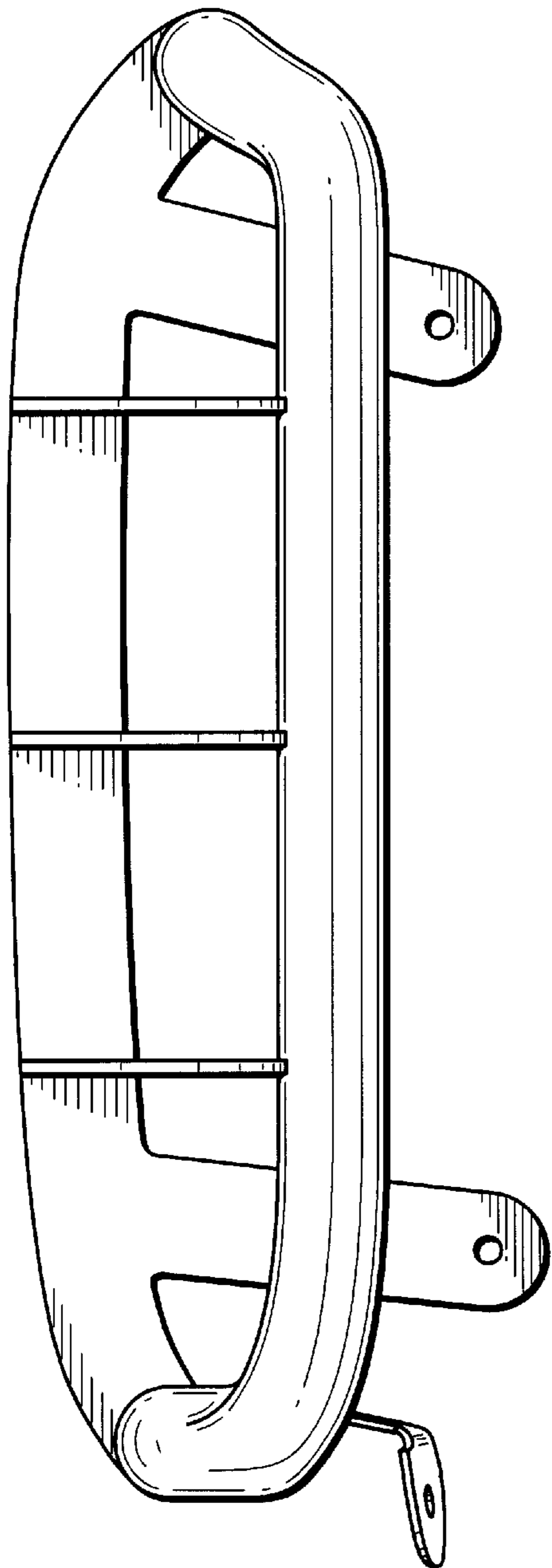


FIG. 5

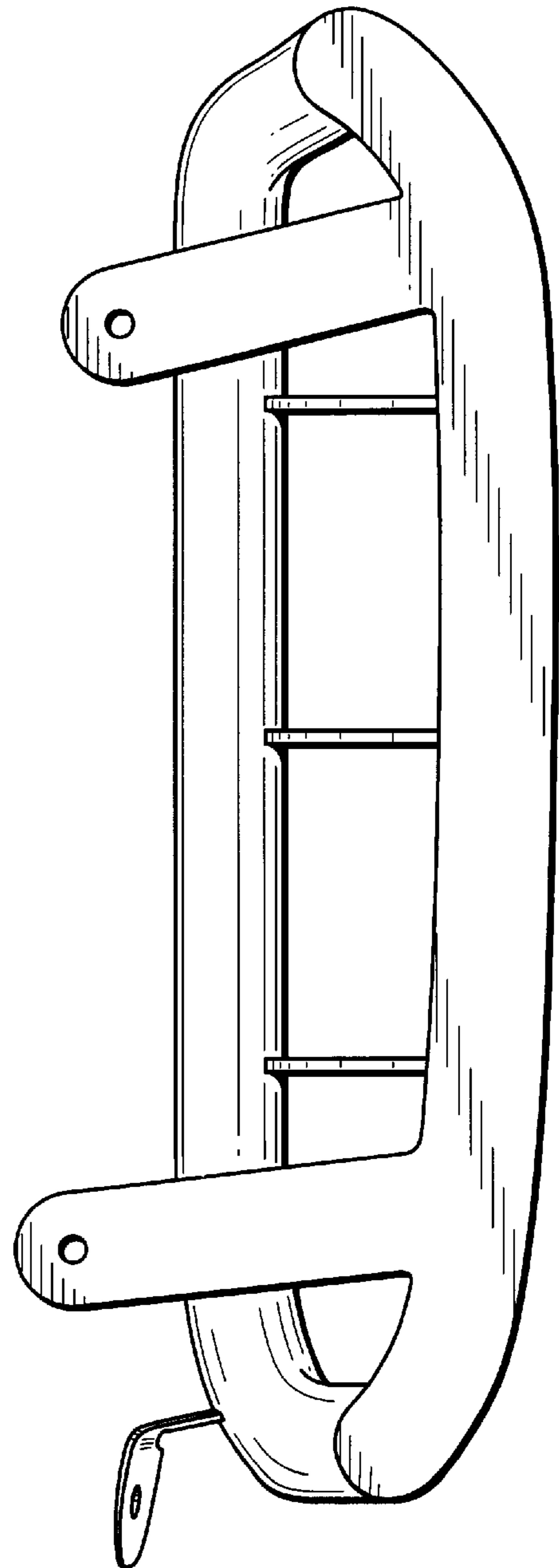


FIG. 6

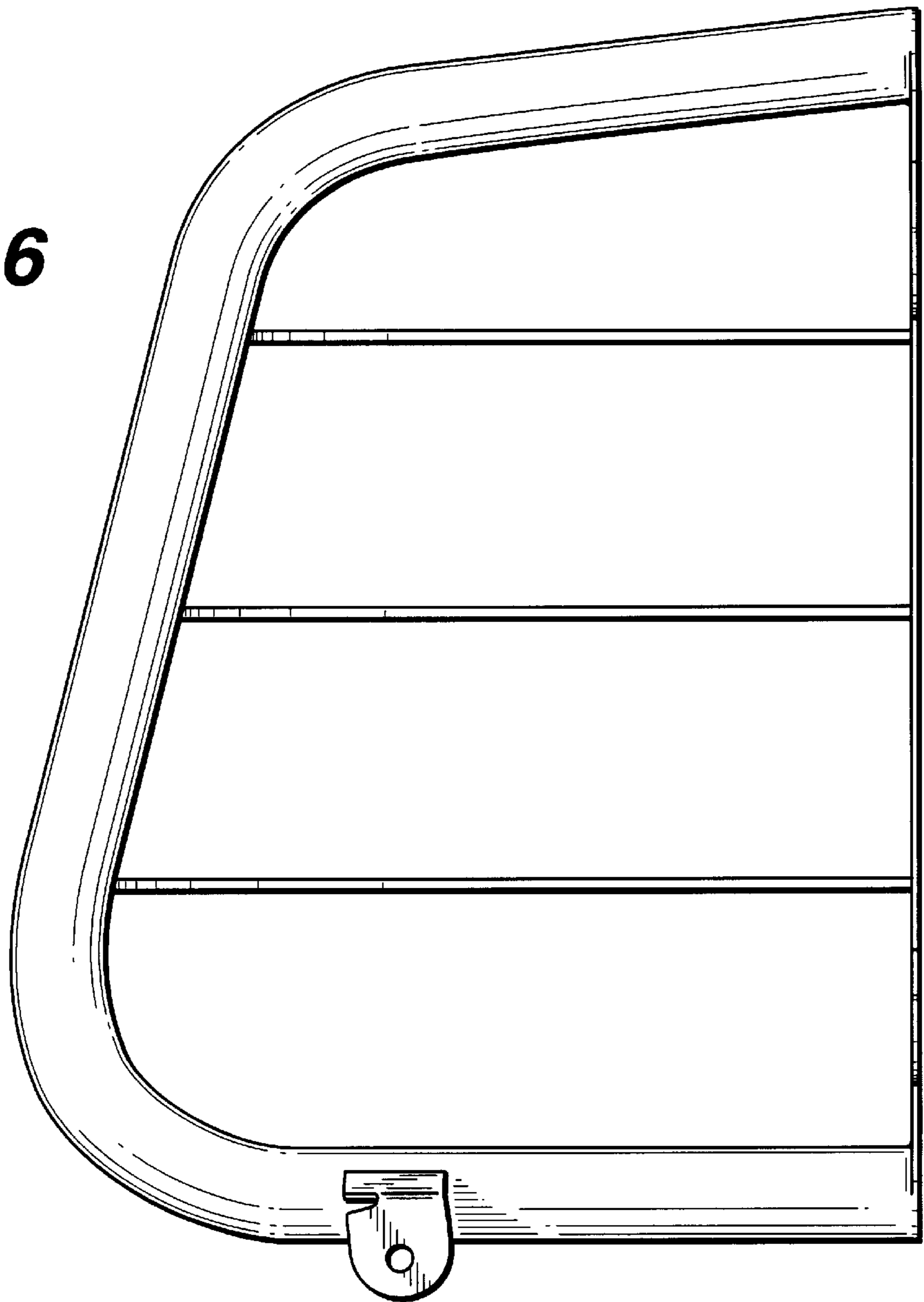


FIG. 7

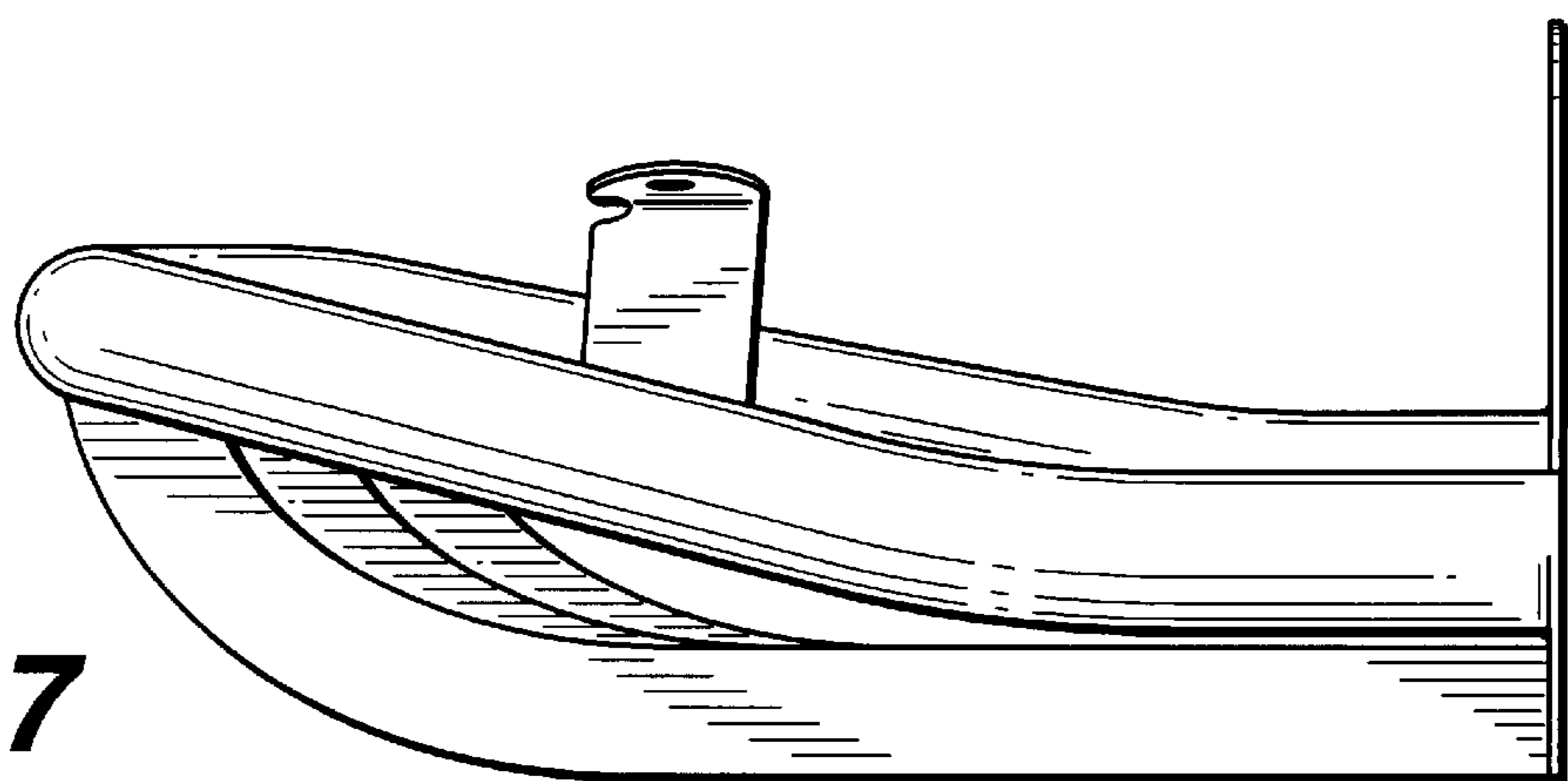


FIG. 8

