



US00D432061S

# United States Patent [19] Sousamian

[11] **Patent Number: Des. 432,061**

[45] **Date of Patent: \*\* Oct. 17, 2000**

[54] **VEHICLE GRILLE COVER**

[75] Inventor: **Timothy W. Sousamian**, Whittier, Calif.

[73] Assignee: **Street Scene Manufacturing, Inc.**, Costa Mesa, Calif.

[\*\*] Term: **14 Years**

[21] Appl. No.: **29/095,726**

[22] Filed: **Oct. 29, 1998**

[51] **LOC (7) Cl.** ..... **12-16**

[52] **U.S. Cl.** ..... **D12/163**

[58] **Field of Search** ..... D12/163, 171; 293/115, 117, 120, 113; 180/68-6

[56] **References Cited**

**U.S. PATENT DOCUMENTS**

D. 286,999	12/1986	Hiranka	.....	D12/163
D. 290,830	7/1987	Inada	.....	D12/163
D. 293,230	12/1987	Kawaoka	.....	D12/163
D. 318,835	8/1991	Partin	.....	D12/169

**OTHER PUBLICATIONS**

Trader's 1997 Accessories Catalog #9, Dec. 26, 1996, front cover.

Sport Truck magazine, Jul. 3, 1997, front cover.

*Primary Examiner*—Melody N. Brown  
*Attorney, Agent, or Firm*—Lyon & Lyon LLP

[57] **CLAIM**

The new, original and ornamental design for a vehicle grille cover, as shown and described.

**DESCRIPTION**

FIG. 1 is a perspective view of a vehicle grille cover embodying my new design, the front perspective of a vehicle being shown fragmentally to show the environment in which the vehicle grille cover is used, the broken lines being for illustrative purposes only, and forming no part of the claimed design.

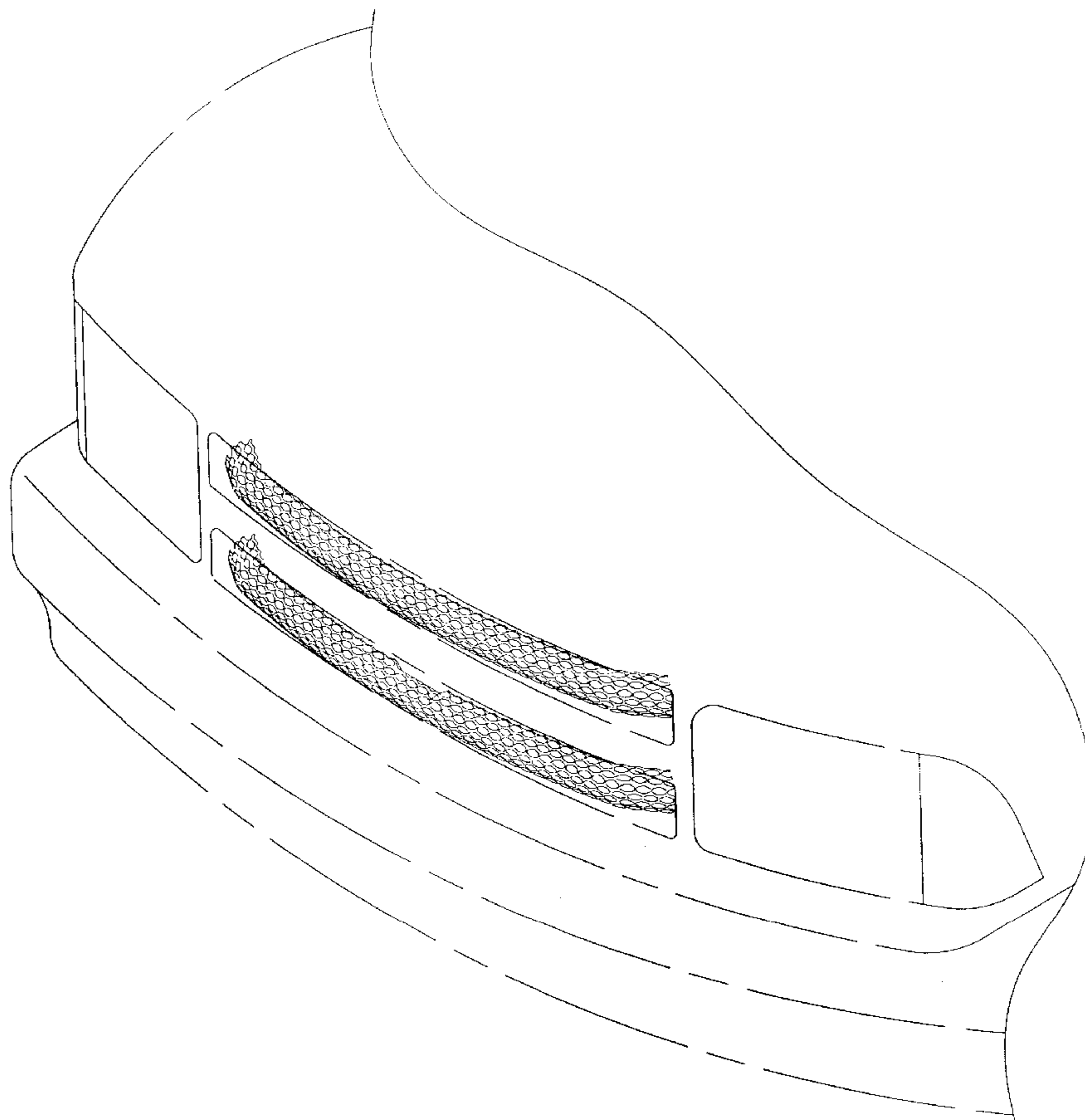
FIG. 2 is a perspective view of a portion of the vehicle grille cover which is the upper portion as seen in FIG. 1, the lower portion as seen in FIG. 1 being identical to the upper portion but for the orientation in the assembled vehicle grille cover. FIG. 3 is a front elevational view of the upper portion of the vehicle grille cover.

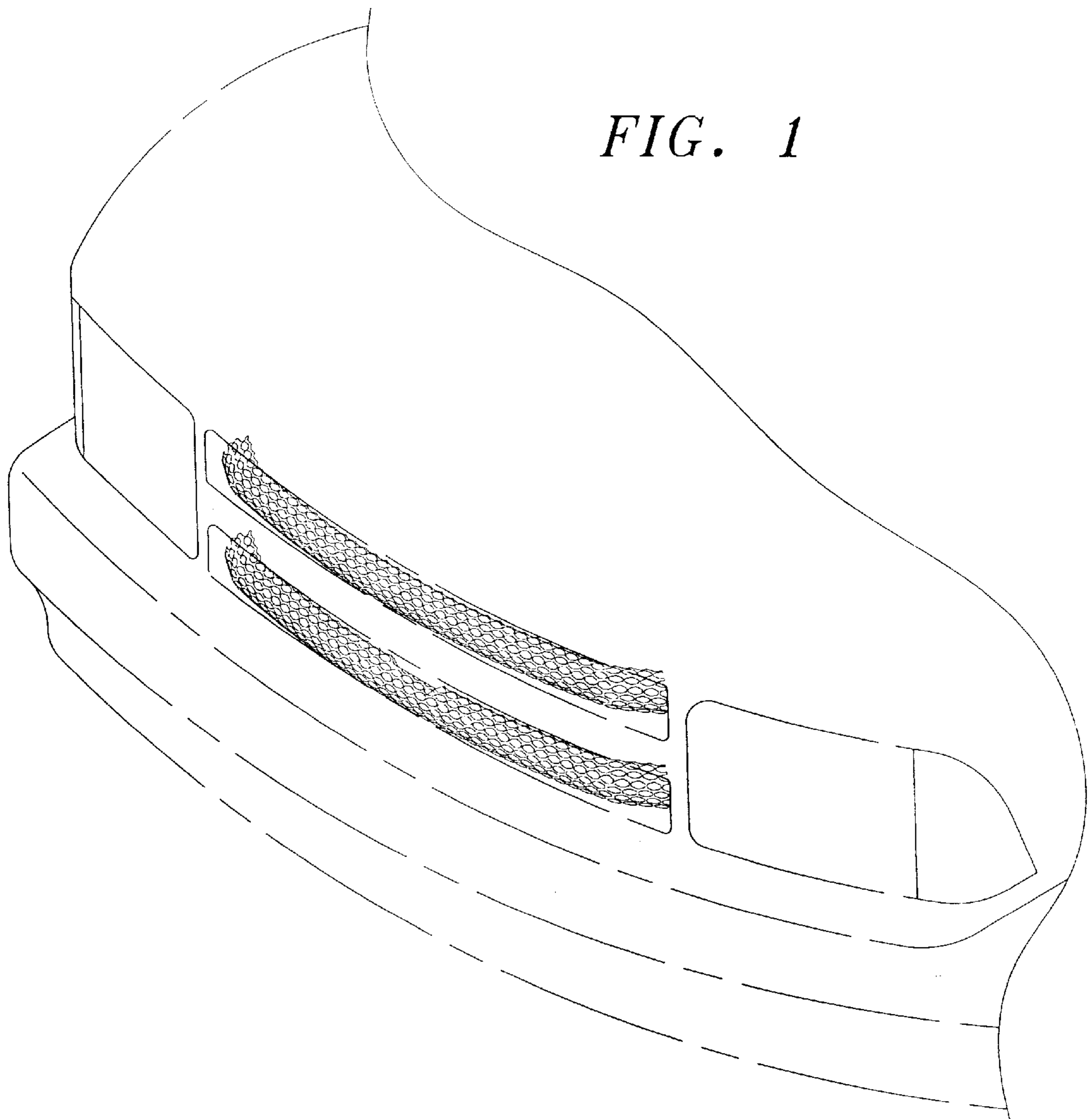
FIG. 4 is a top plan view of the upper portion of the vehicle grille cover.

FIG. 5 is a right side view of the upper portion of the vehicle grille cover. the left side view being a mirror image thereof. FIG. 6 is a rear elevational view of the upper portion of the vehicle grille cover; and,

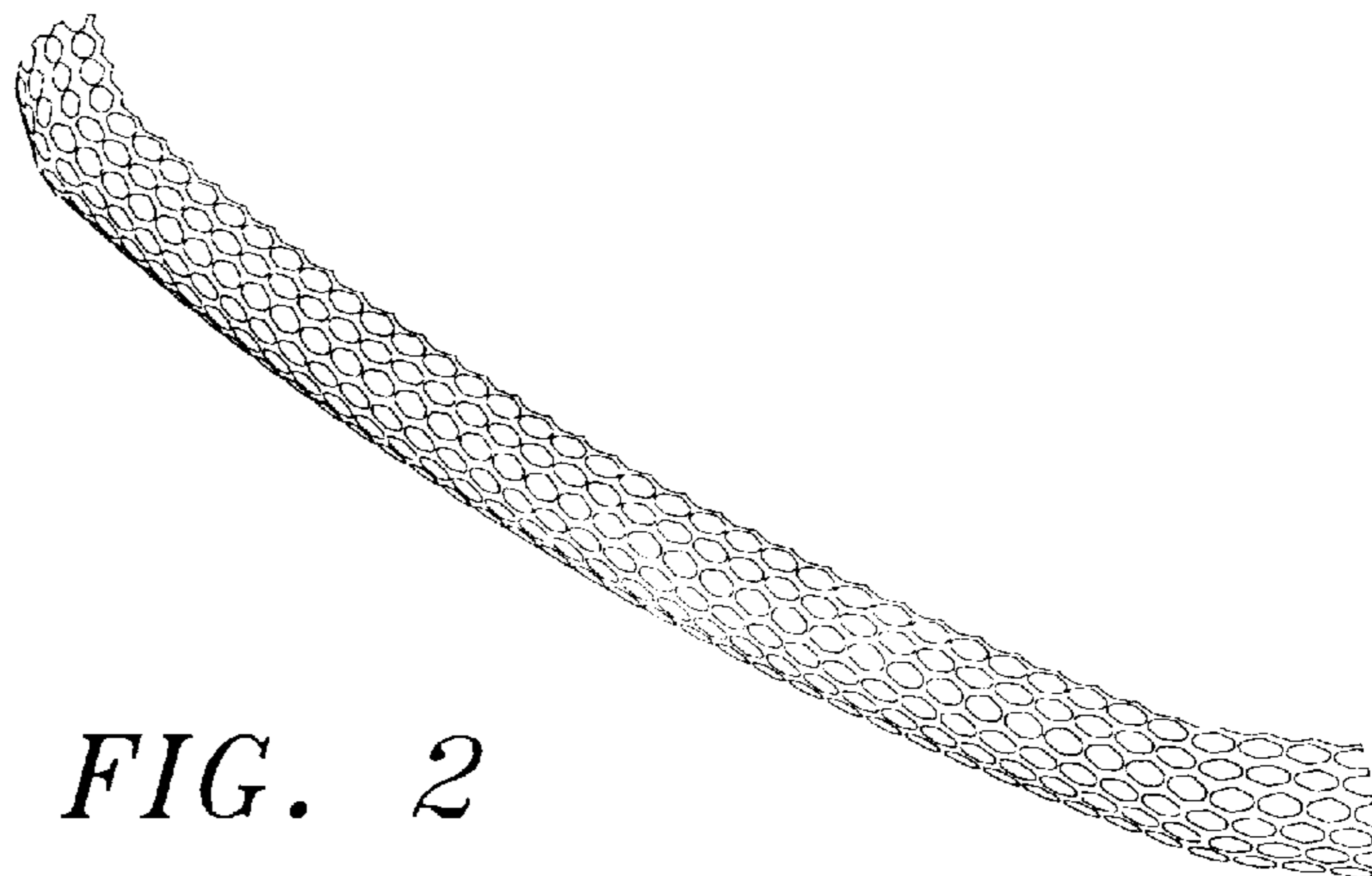
FIG. 7 is a bottom plan view of the upper portion of the vehicle grille cover.

**1 Claim, 2 Drawing Sheets**





*FIG. 1*



*FIG. 2*

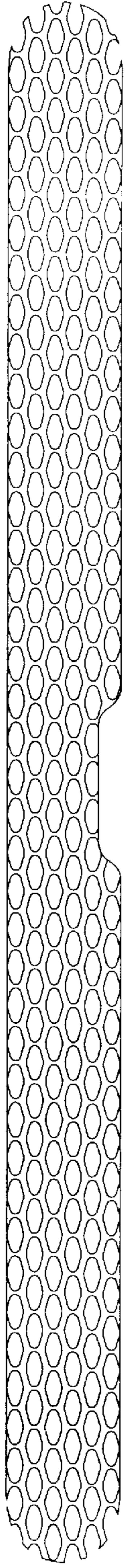


FIG. 3

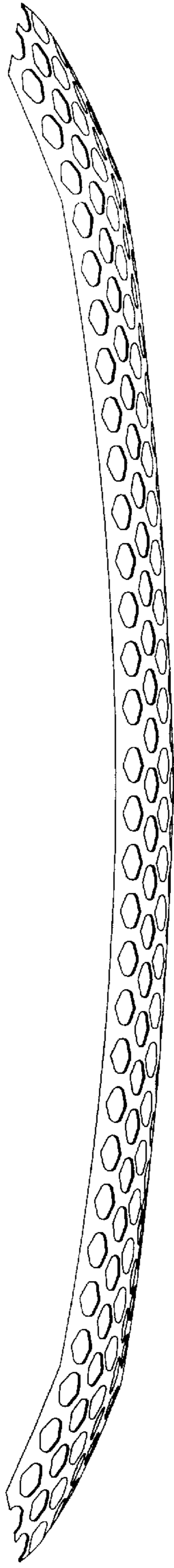


FIG. 4

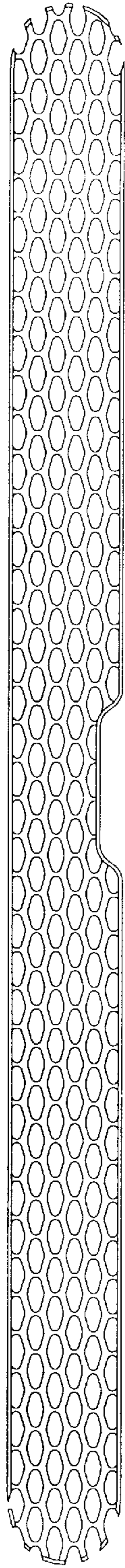


FIG. 6

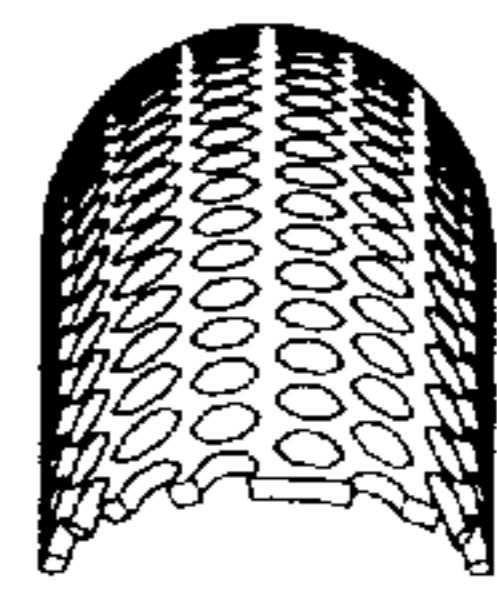


FIG. 5

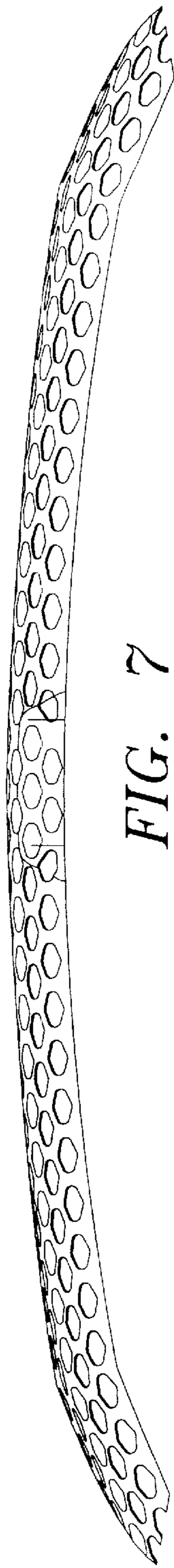


FIG. 7