



US00D432059S

# United States Patent [19]

Feider et al.

[11] Patent Number: **Des. 432,059**

[45] Date of Patent: **\*\* Oct. 17, 2000**

[54] **TIRE TREAD**

[75] Inventors: **Georges Gaston Feider**, Bettborn, Luxembourg; **Jacques Collette**, Bastogne, Belgium

[73] Assignee: **The Goodyear Tire & Rubber Company**, Akron, Ohio

[\*\*] Term: **14 Years**

[21] Appl. No.: **29/117,138**

[22] Filed: **Jan. 18, 2000**

[51] **LOC (7) Cl.** ..... **12-15**

[52] **U.S. Cl.** ..... **D12/147**

[58] **Field of Search** ..... D12/134-152;  
152/209.1, 209.8, 209.9, 209.11, 209.12,  
209.13, 209.28, 900, 901, 902, 903

[56] **References Cited**

**U.S. PATENT DOCUMENTS**

D. 283,501	4/1986	Hitzky	.....	D12/147
D. 311,887	11/1990	Adam	.....	D12/147
D. 314,363	2/1991	Adam	.....	D12/147
D. 317,145	5/1991	Iwamura	.....	D12/146
D. 328,267	7/1992	Constant	.....	D12/146
D. 334,160	3/1993	Woo	.....	D12/146
D. 334,362	3/1993	Stone et al.	.....	D12/147
D. 340,892	11/1993	Loeffler	.....	D12/146
D. 344,052	2/1994	Attinello et al.	.....	D12/147
D. 346,775	5/1994	Loser	.....	D12/146
D. 377,635	1/1997	Numata	.....	D12/147
D. 384,612	10/1997	Young et al.	.....	D12/146
D. 384,620	10/1997	Gillard et al.	.....	D12/147
D. 384,919	10/1997	Hermann	.....	D12/146
D. 387,021	12/1997	Miyazaki	.....	D12/147

D. 388,370	12/1997	Young et al.	.....	D12/146
D. 395,626	6/1998	Gillard et al.	.....	D12/147
D. 397,647	9/1998	Young	.....	D12/146
D. 402,934	12/1998	Brown, IV	.....	D12/146
D. 402,943	12/1998	Albert et al.	.....	D12/147
D. 403,630	1/1999	Maxwell et al.	.....	D2/147
D. 420,948	2/2000	Takada	.....	D12/146

**OTHER PUBLICATIONS**

Co-op Super Fleet Cargo Carrier R-20 Tire, 1998 Tread Design Guide, p. 129. 1/5, Jan. 1998.

Delta Akuret-Hiway R300 A/P Tire, 1998 Tread Design Guide, p. 133. 2/1, Jan. 1998.

Goodyear Unisteel G314 Tire, 1998 Tread Design Guide, p. 140. 1/5, Jan. 1998.

*Primary Examiner*—Robert M. Spear

*Attorney, Agent, or Firm*—T P Lewandowski

[57] **CLAIM**

The ornamental design for a tire tread, as shown and described.

**DESCRIPTION**

FIG. 1 is a perspective view of a tire tread showing our new design, it being understood that the pattern repeats uniformly throughout the circumference of the tread;

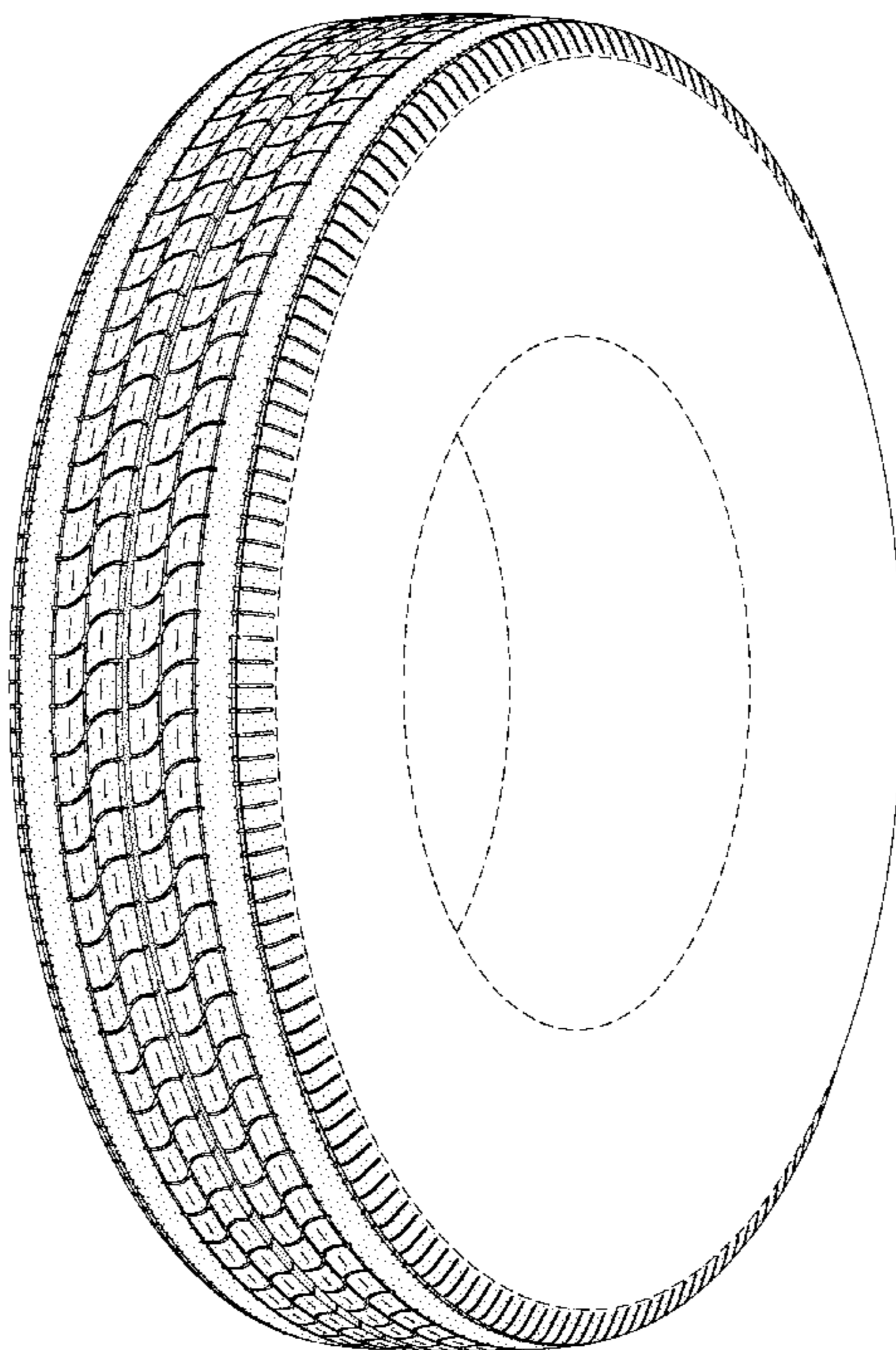
FIG. 2 is a front elevational view thereof;

FIG. 3 is a side elevational view thereof, the opposite side elevational view being identical thereto; and,

FIG. 4 is an enlarged fragmentary perspective view.

In the drawings, the broken lines defining the inner bead of the sidewall and the peripheral boundary between the tire tread and the sidewall are for illustrative purposes only and form no part of the claimed design.

**1 Claim, 4 Drawing Sheets**



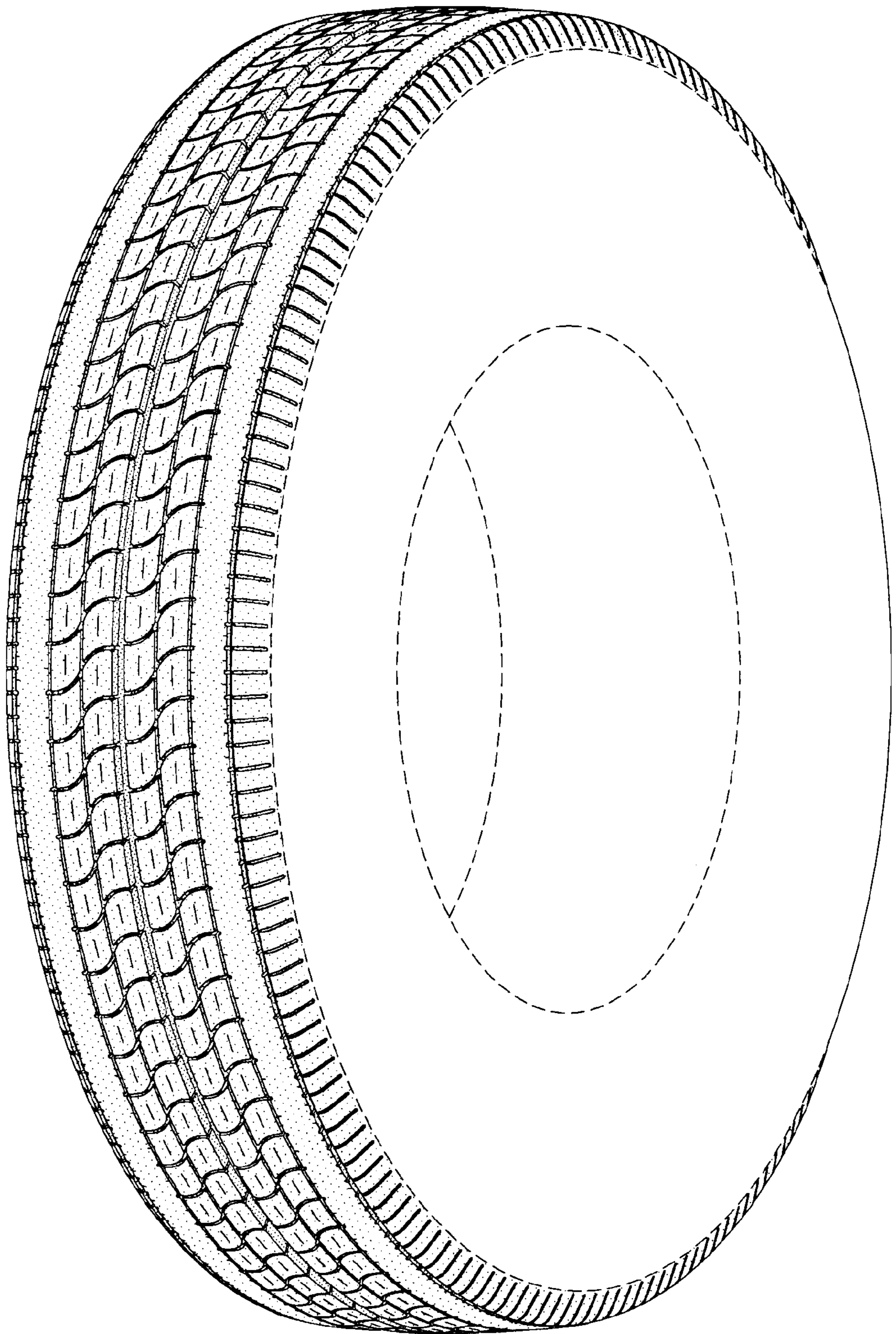


FIG-1

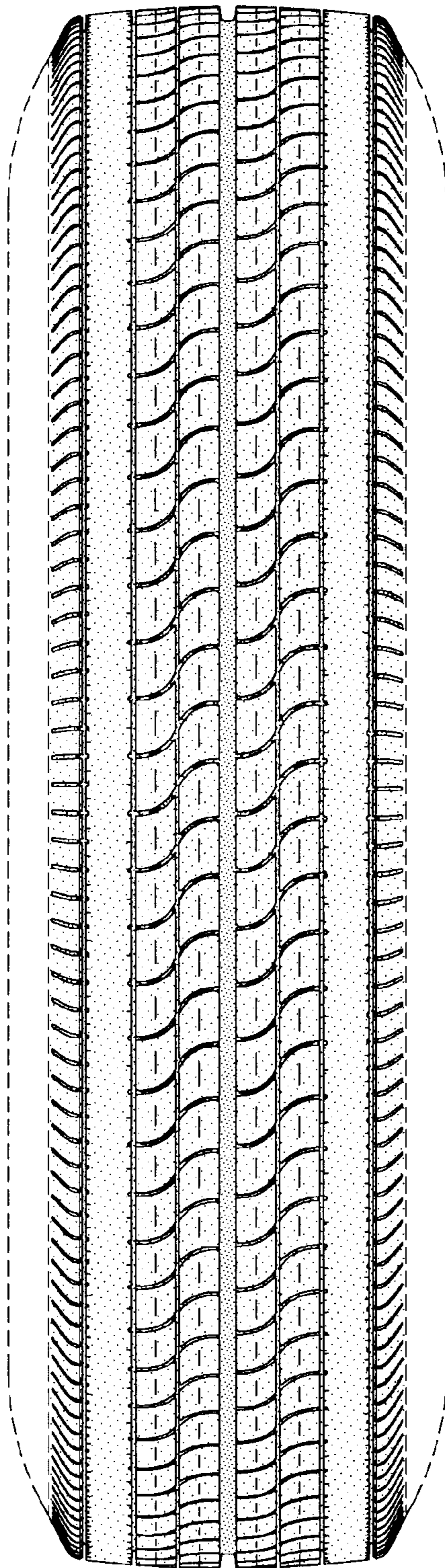


FIG-2

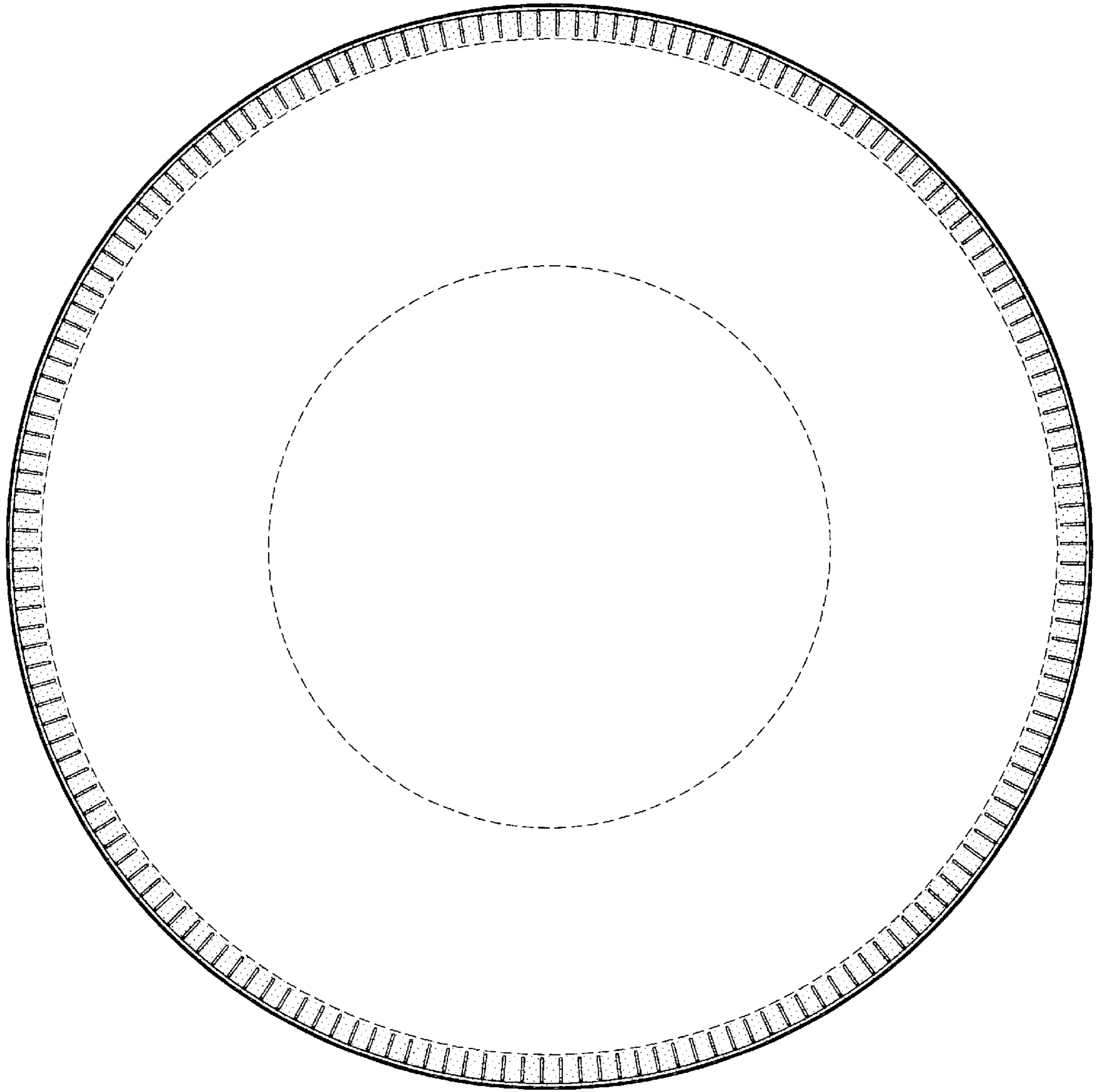


FIG-3

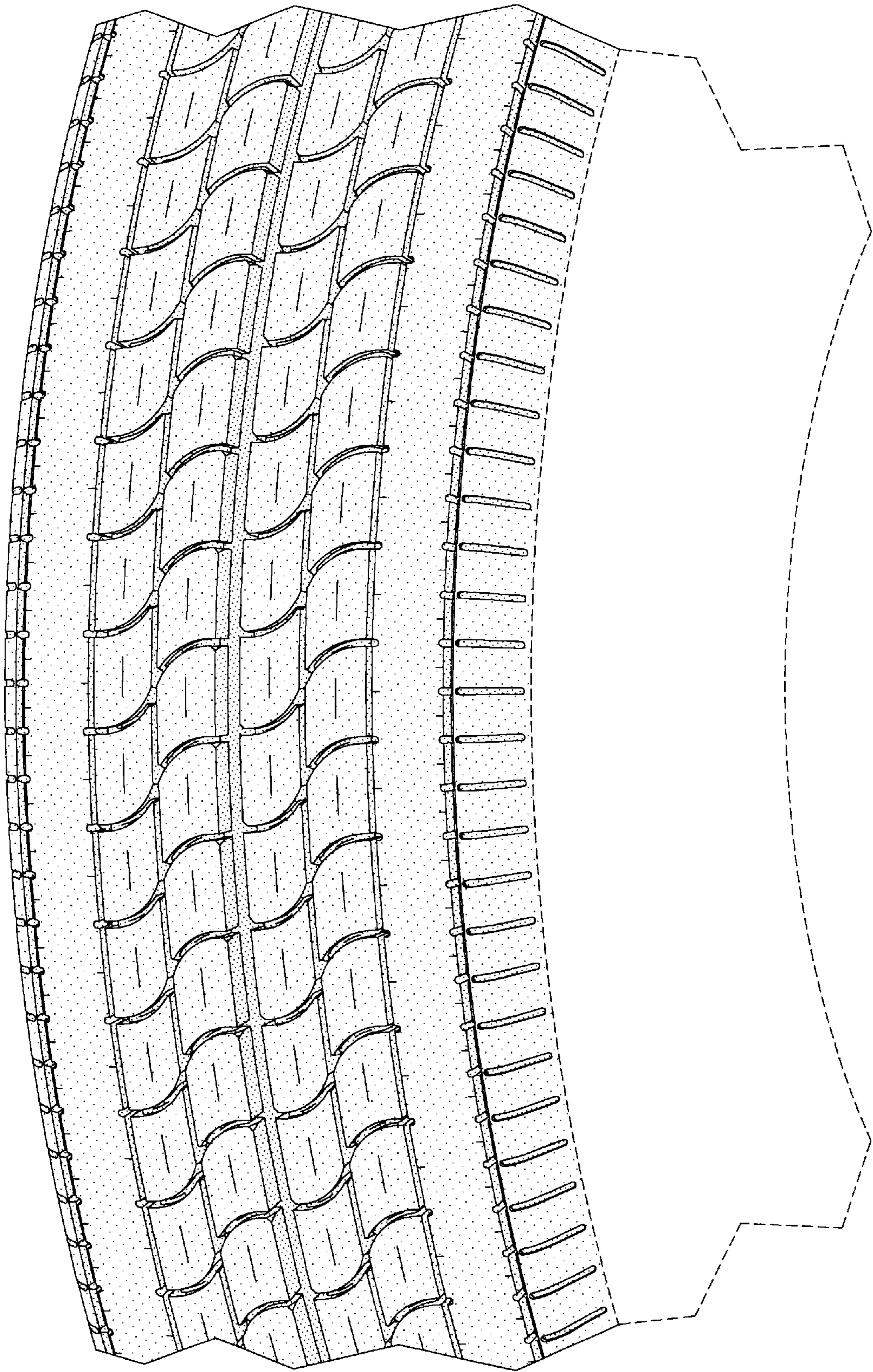


FIG-4