

US00D432048S

United States Patent [19]
Lawrence

[11] **Patent Number: Des. 432,048**

[45] **Date of Patent: ** Oct. 17, 2000**

[54] **NOVELTY ITEM**

[76] **Inventor: James Thomas Lawrence, 2880 S. Rutland Rd., Mt. Juliet, Tenn. 37122**

[**] **Term: 14 Years**

[21] **Appl. No.: 29/109,590**

[22] **Filed: Aug. 17, 1999**

[51] **LOC (7) Cl. 99-00**

[52] **U.S. Cl. D11/131**

[58] **Field of Search D11/131, 157; 428/542.2, 542.6**

D. 318,252 7/1991 Baker D11/157
D. 322,044 12/1991 Marsar, Jr. et al. D11/131
D. 328,573 8/1992 Berry D11/157
D. 365,040 12/1995 Whitman D11/131

Primary Examiner—Dominic Simone
Attorney, Agent, or Firm—Waddey & Patterson; I. C. Waddey, Jr.

[57] **CLAIM**

What is claimed is the ornamental design for a novelty item, as shown and described.

DESCRIPTION

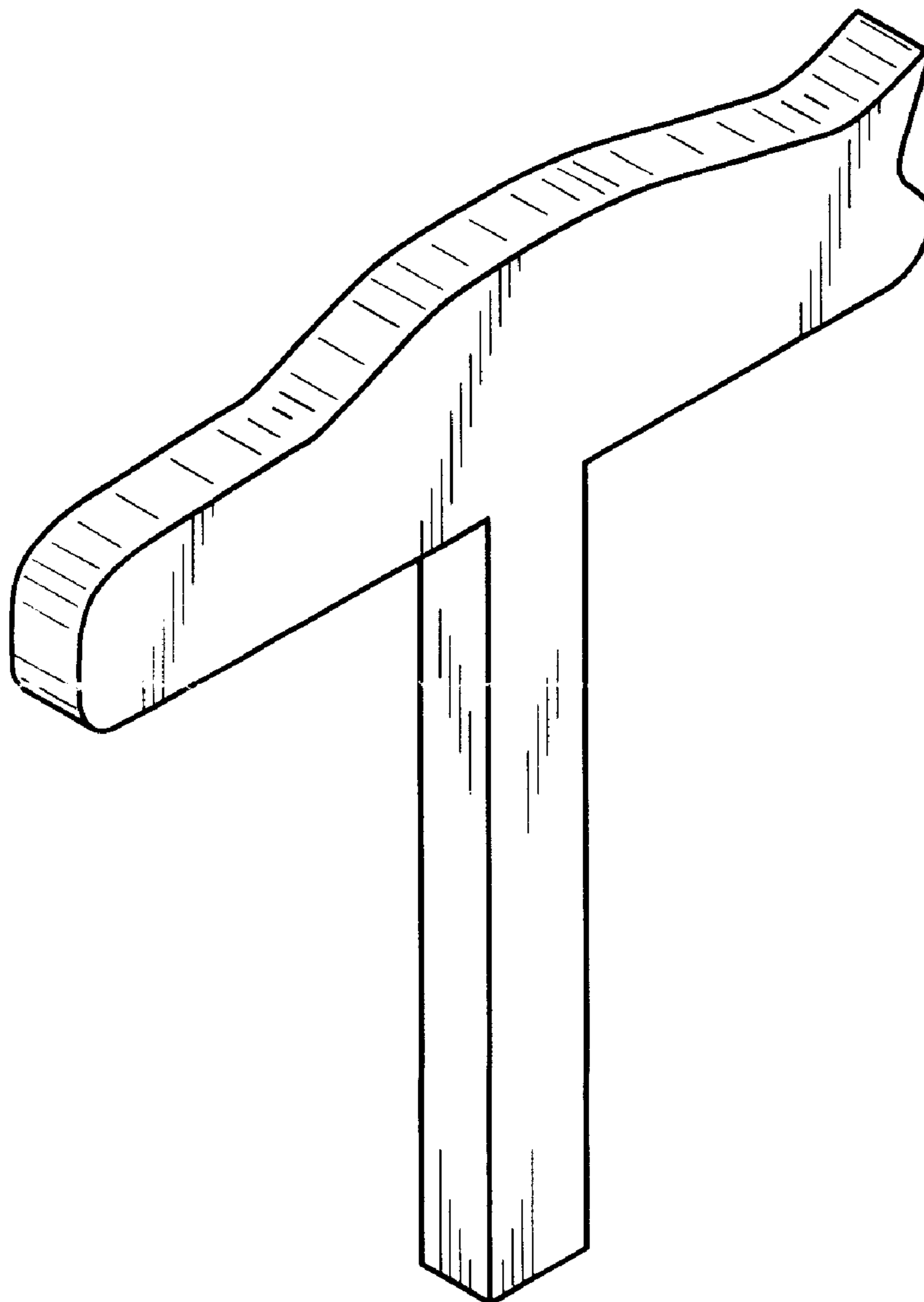
FIG. 1 is a front elevational view of a novelty item showing my new design;
FIG. 2 is a front perspective view thereof; and,
FIG. 3 is a rear perspective view thereof.

[56] **References Cited**

U.S. PATENT DOCUMENTS

D. 231,714 5/1974 Arthur D20/22
D. 261,281 10/1981 Lange D11/157

1 Claim, 1 Drawing Sheet



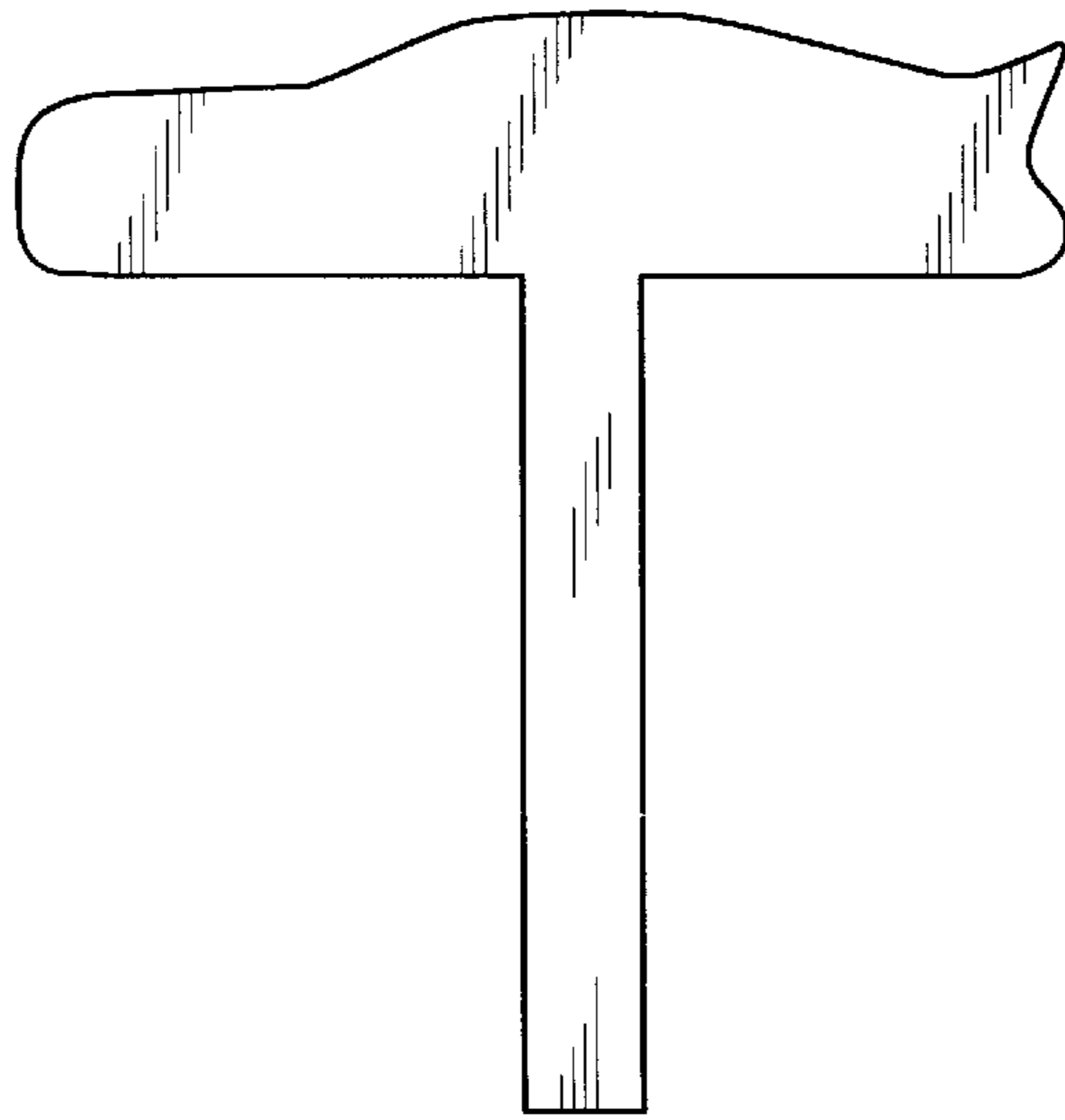


FIG. 1

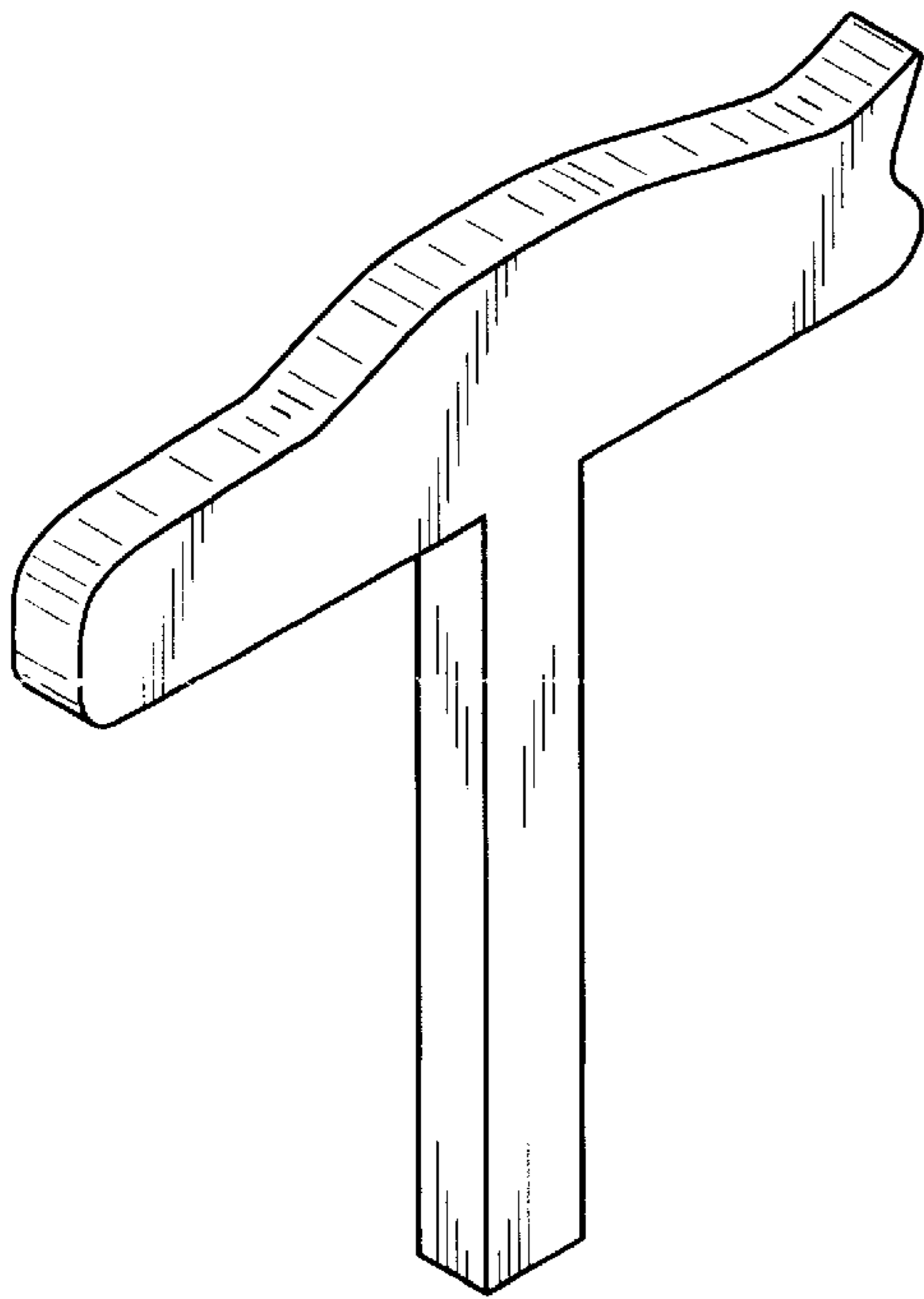


FIG. 2

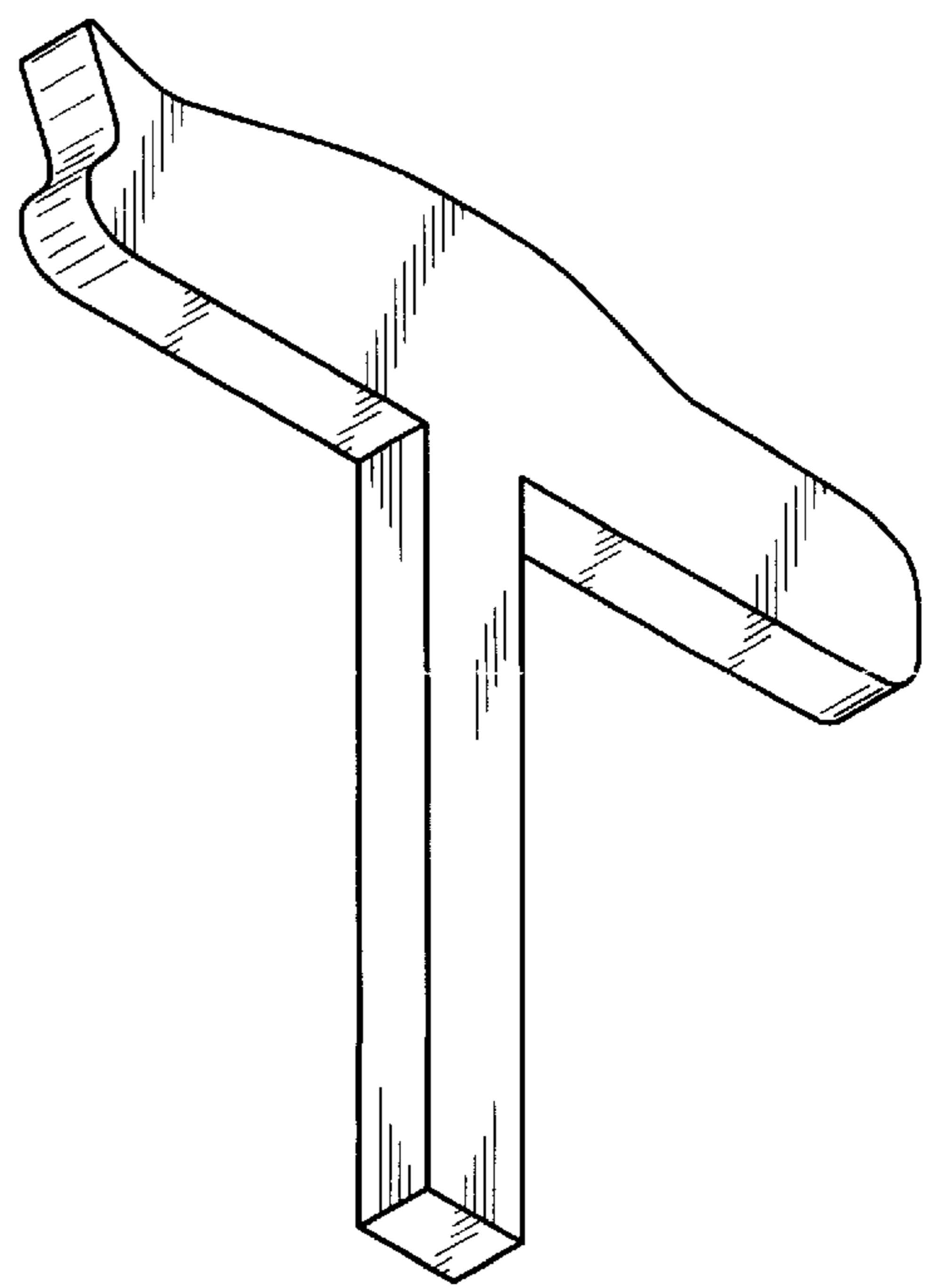


FIG. 3