



US00D432044S

United States Patent [19]
Hacmon

[11] **Patent Number: Des. 432,044**

[45] **Date of Patent: ** Oct. 17, 2000**

[54] **PRECIOUS STONE**

D. 368,232 3/1996 Bachar D11/90
D. 382,507 8/1997 Yosef D11/90
D. 383,411 9/1997 Spitzer D11/90

[75] Inventor: **Joseph Hacmon**, Ramat Gan, Israel

[73] Assignee: **Australia Diamonds Ltd.**, Ramat Gan, Israel

Primary Examiner—Ralf Seifert
Attorney, Agent, or Firm—Kenyon & Kenyon

[**] Term: **14 Years**

[57] **CLAIM**

[21] Appl. No.: **29/114,954**

The ornamental design for a precious stone, as shown and described.

[22] Filed: **Dec. 3, 1999**

DESCRIPTION

[51] **LOC (7) Cl.** **11-01**

[52] **U.S. Cl.** **D11/90**

[58] **Field of Search** D11/26–29, 34–37,
D11/89, 90; 63/1.1, 26, 32

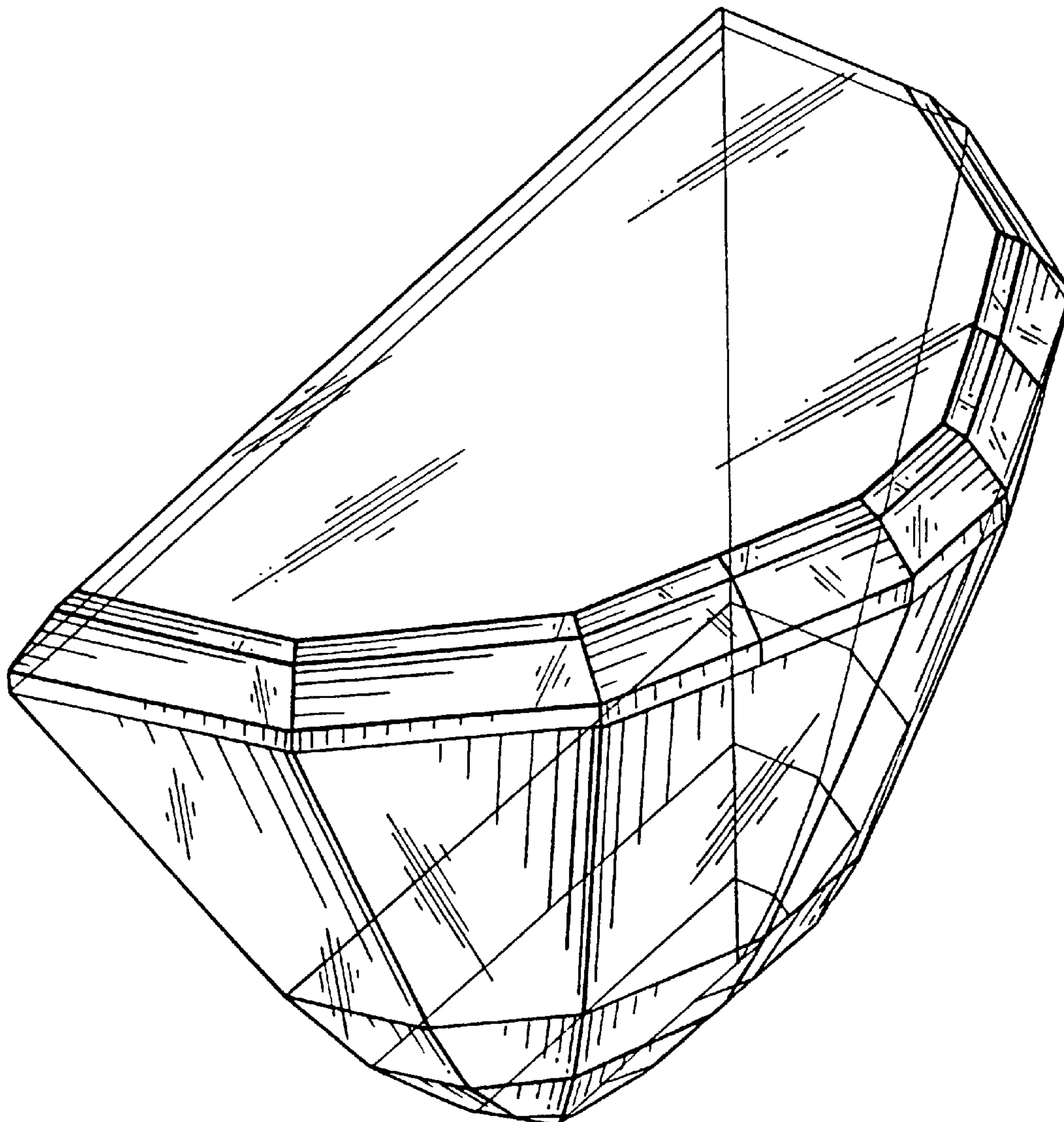
FIG. 1 is a left perspective view of a precious stone;
FIG. 2 is a rear perspective view of the precious stone;
FIG. 3 is a right perspective view of the precious stone;
FIG. 4 is a rear view of the precious stone;
FIG. 5 is a top view of the precious stone;
FIG. 6 is a right side view of the precious stone; and,
FIG. 7 is a left side view of the precious stone.

[56] **References Cited**

U.S. PATENT DOCUMENTS

D. 62,992 9/1923 Heller D11/90

1 Claim, 7 Drawing Sheets



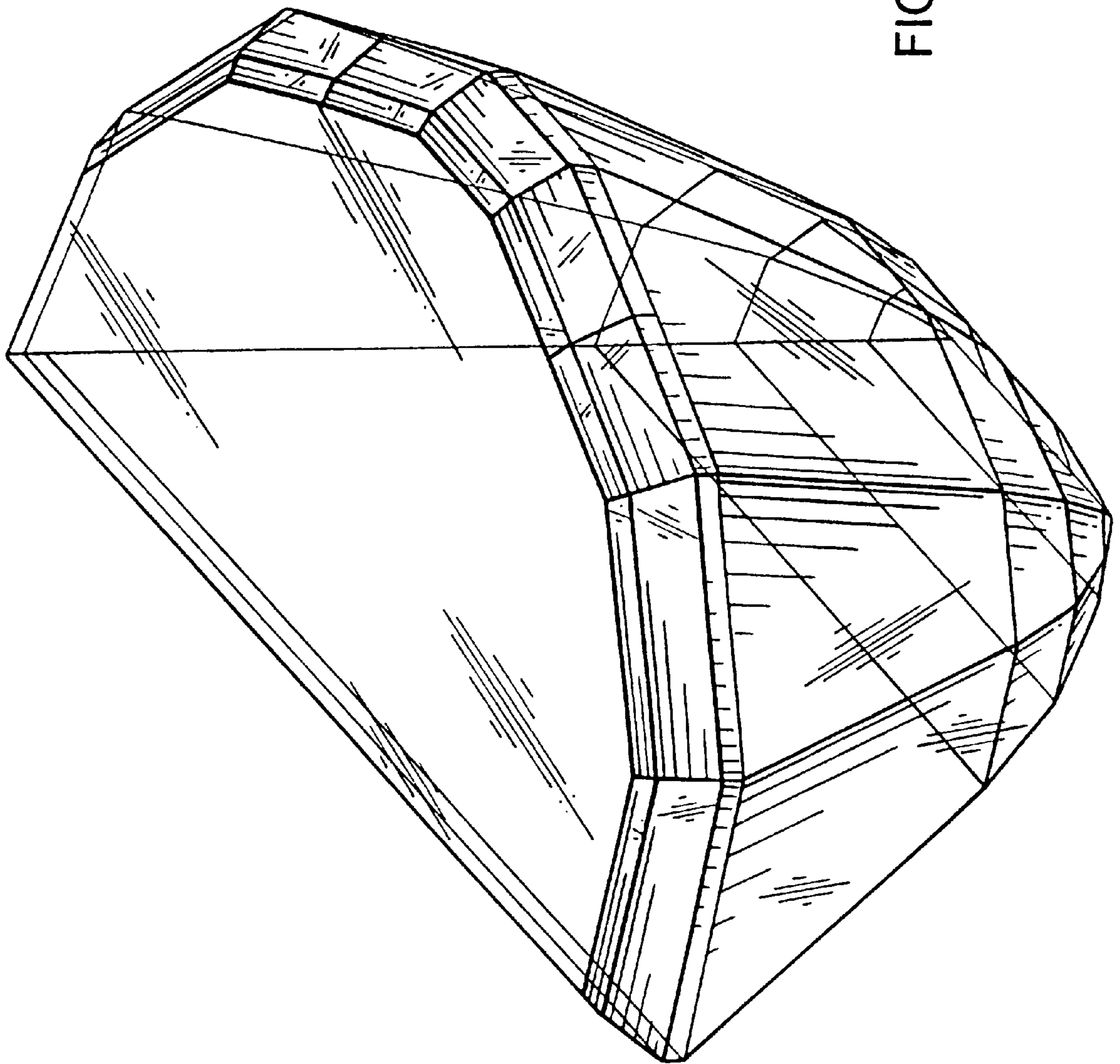


FIG. 1

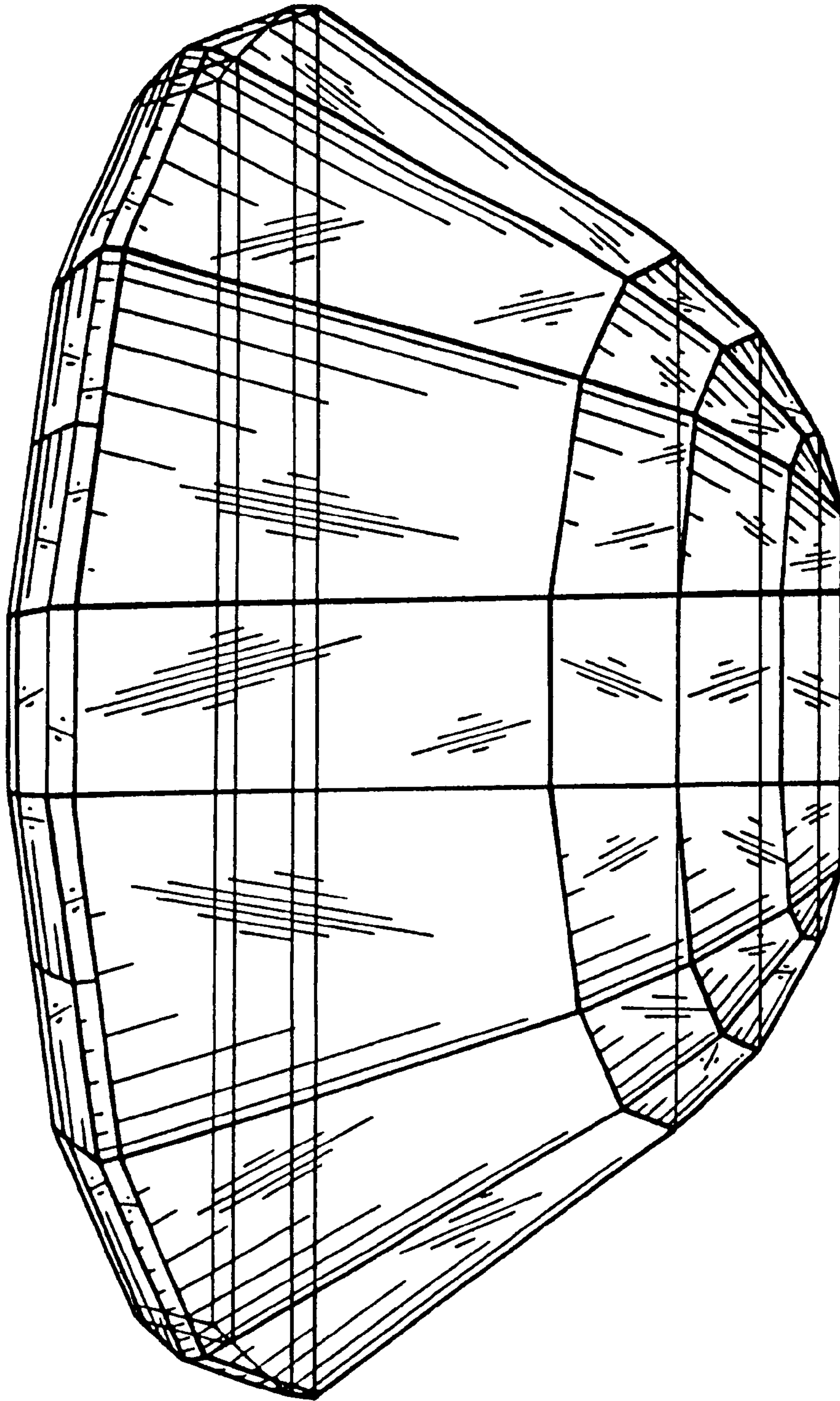


FIG. 2

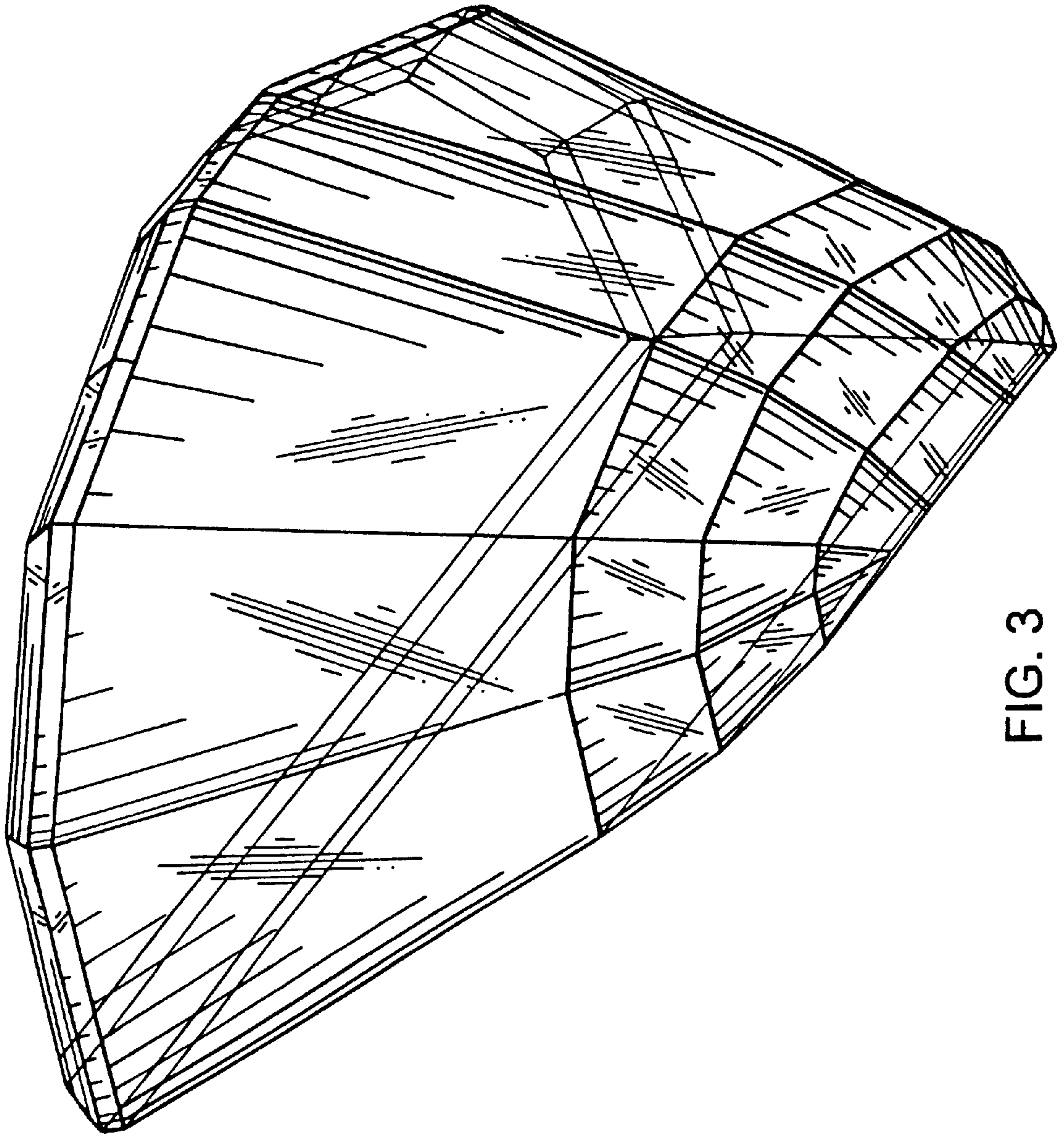


FIG. 3

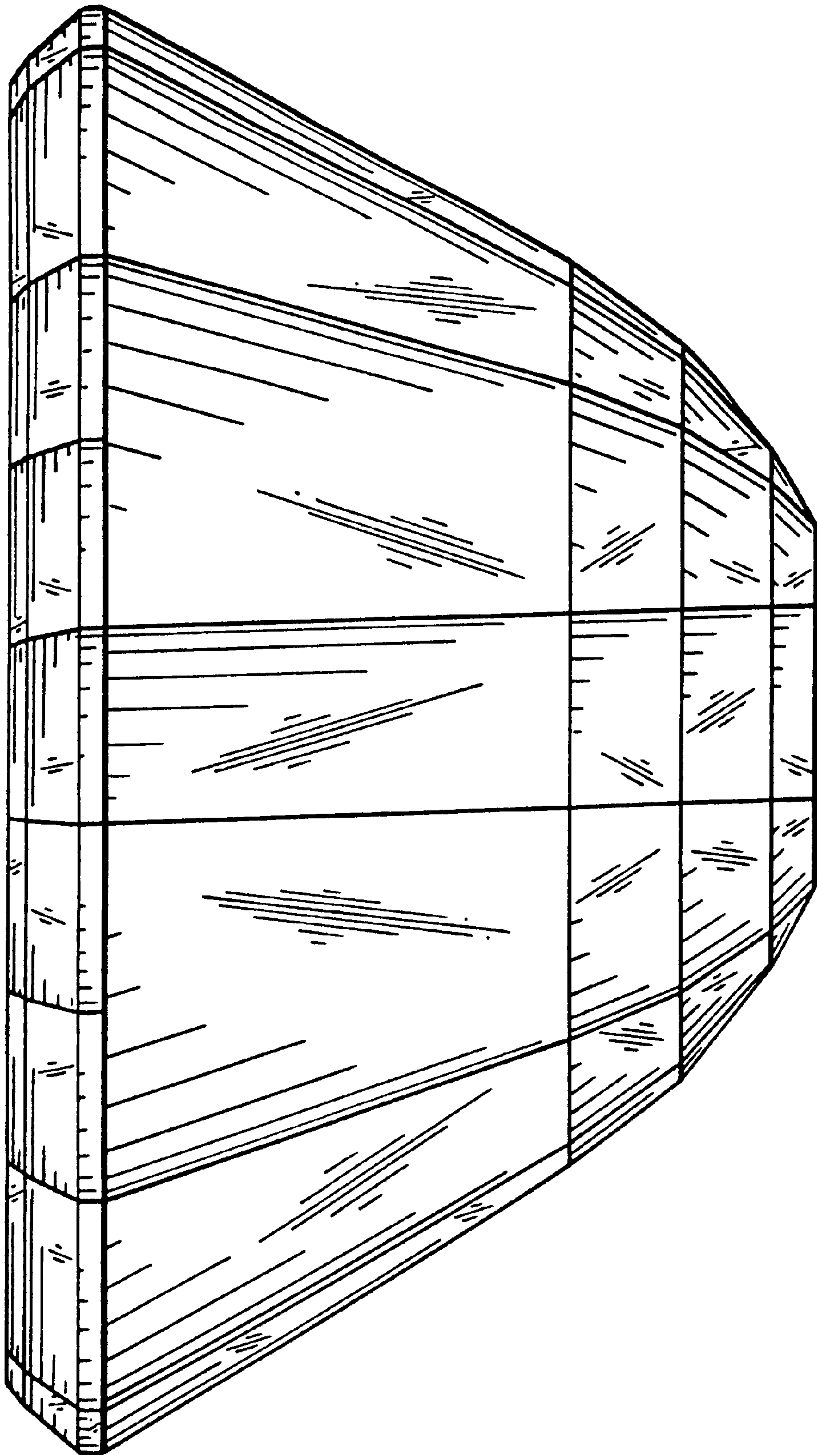
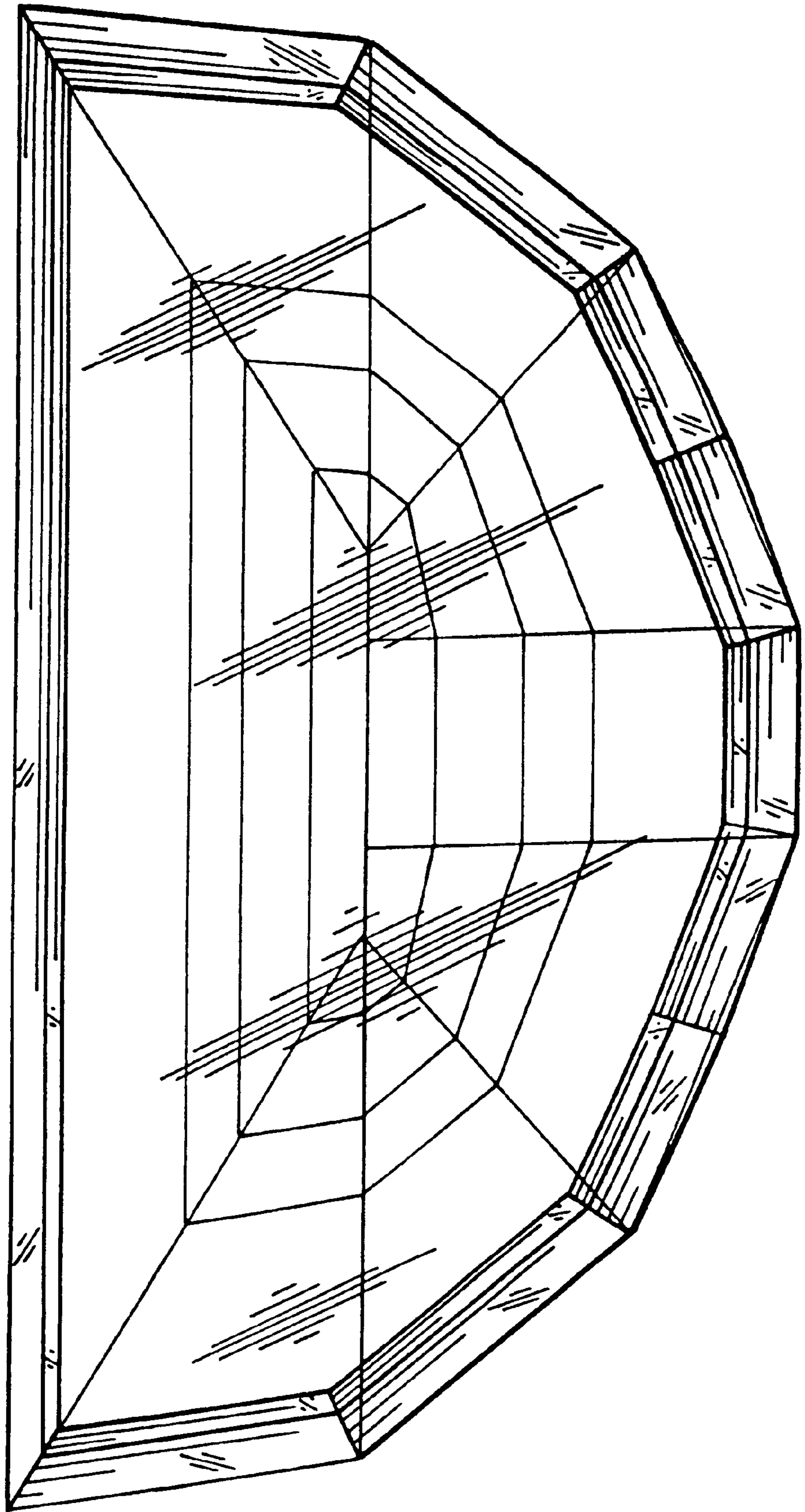


FIG. 4

FIG. 5



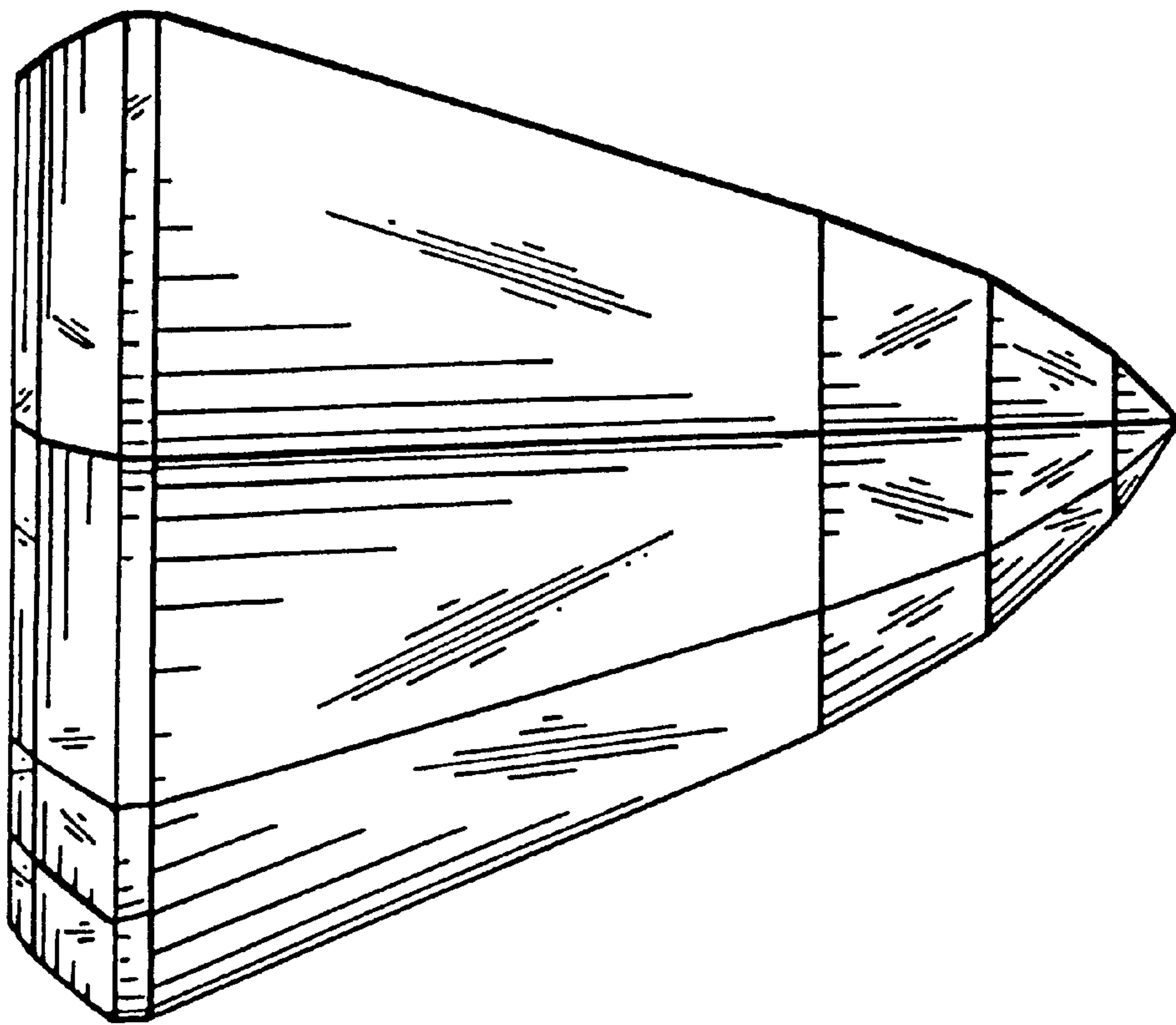


FIG. 6

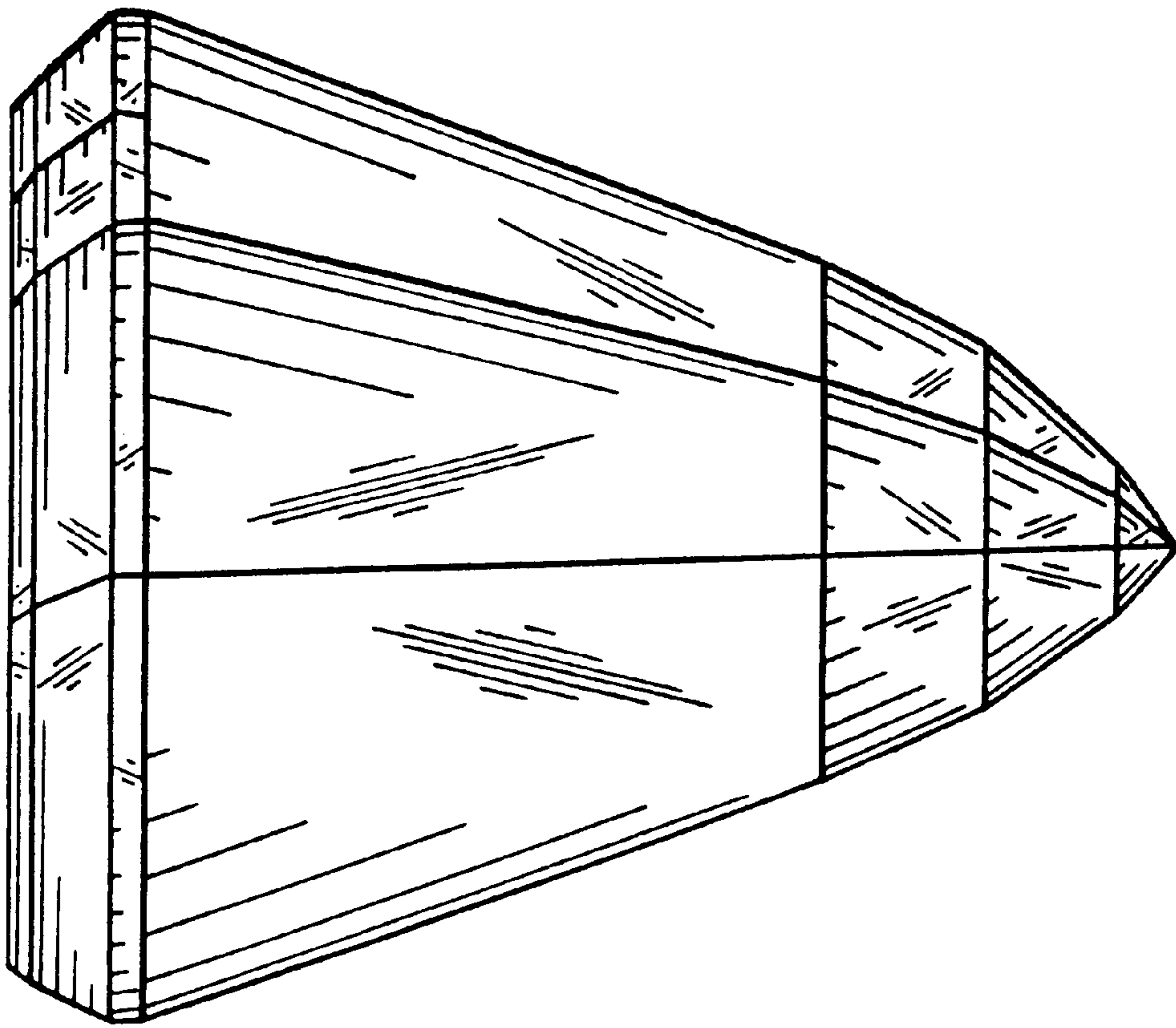


FIG. 7