



US00D432035S

United States Patent [19]
Harris

[11] **Patent Number: Des. 432,035**

[45] **Date of Patent: ** Oct. 17, 2000**

[54] **BASE UNIT FOR RECEIVING TAPE MEASURE**

5,406,711 4/1995 Graham 33/42
5,782,007 7/1998 Harris 33/768

[76] Inventor: **Adam S. Harris**, 1946A Meadows Rd., Walnut Creek, Calif. 94596

Primary Examiner—Antoine Duval Davis
Attorney, Agent, or Firm—Harris Zimmerman

[**] Term: **14 Years**

[57] **CLAIM**

[21] Appl. No.: **29/115,363**

The ornamental design for a base unit for receiving tape measure, as shown.

[22] Filed: **Dec. 14, 1999**

DESCRIPTION

[51] **LOC (7) Cl.** **10-04**

FIG. 1 is a perspective view of a base unit for receiving tape measure;

[52] **U.S. Cl.** **D10/74**

FIG. 2 is a right side view;

[58] **Field of Search** D10/62, 72, 74, D10/103; 33/27.03, 42, 43, 666, 668, 757, 759, 764, 769, 761, 768, 760

FIG. 3 is a top view;

FIG. 4 is a front elevational view;

FIG. 5 is a rear elevational view;

FIG. 6 is a left side view; and,

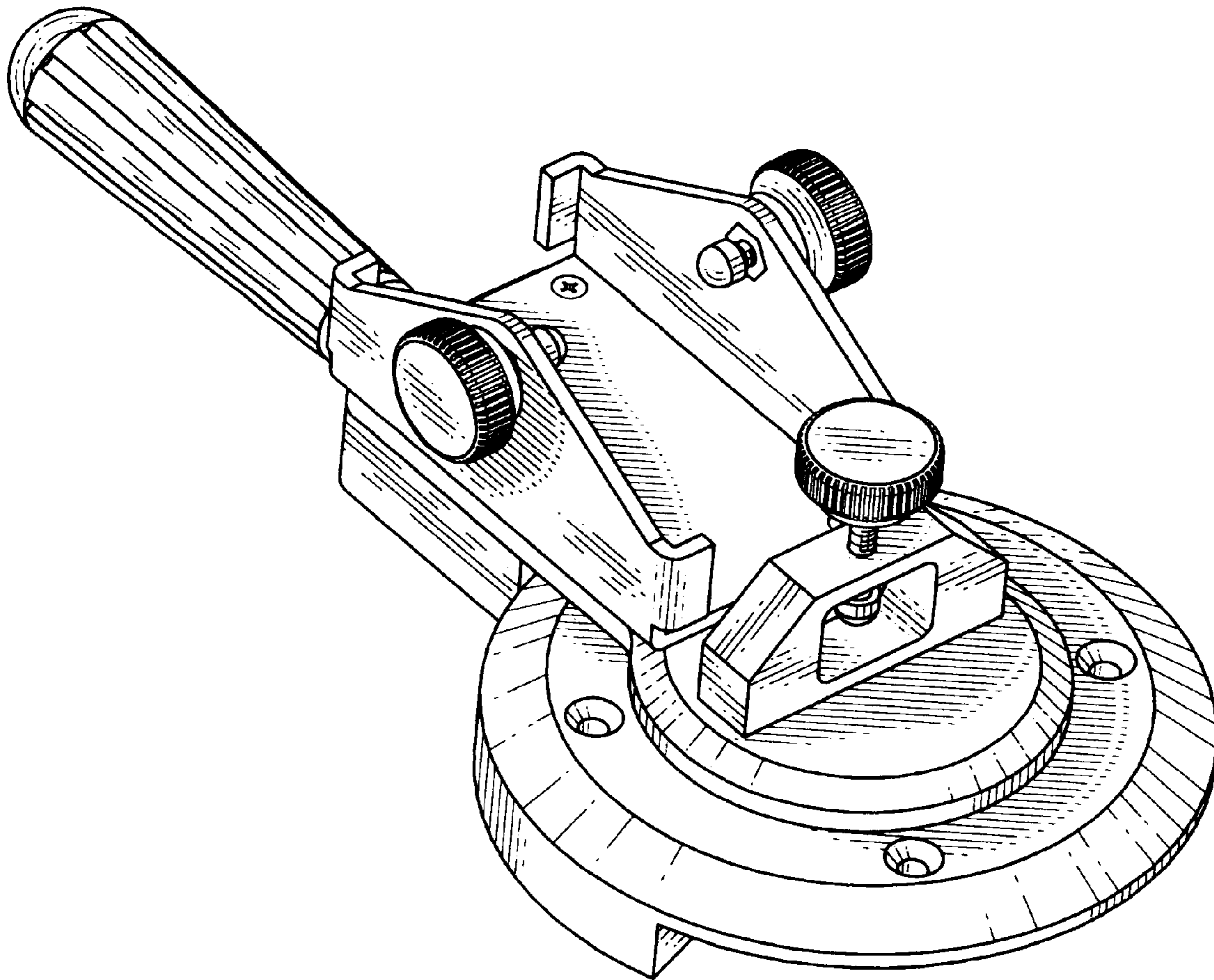
FIG. 7 is a bottom view.

[56] **References Cited**

U.S. PATENT DOCUMENTS

4,520,571 6/1985 Harding 33/42

1 Claim, 2 Drawing Sheets



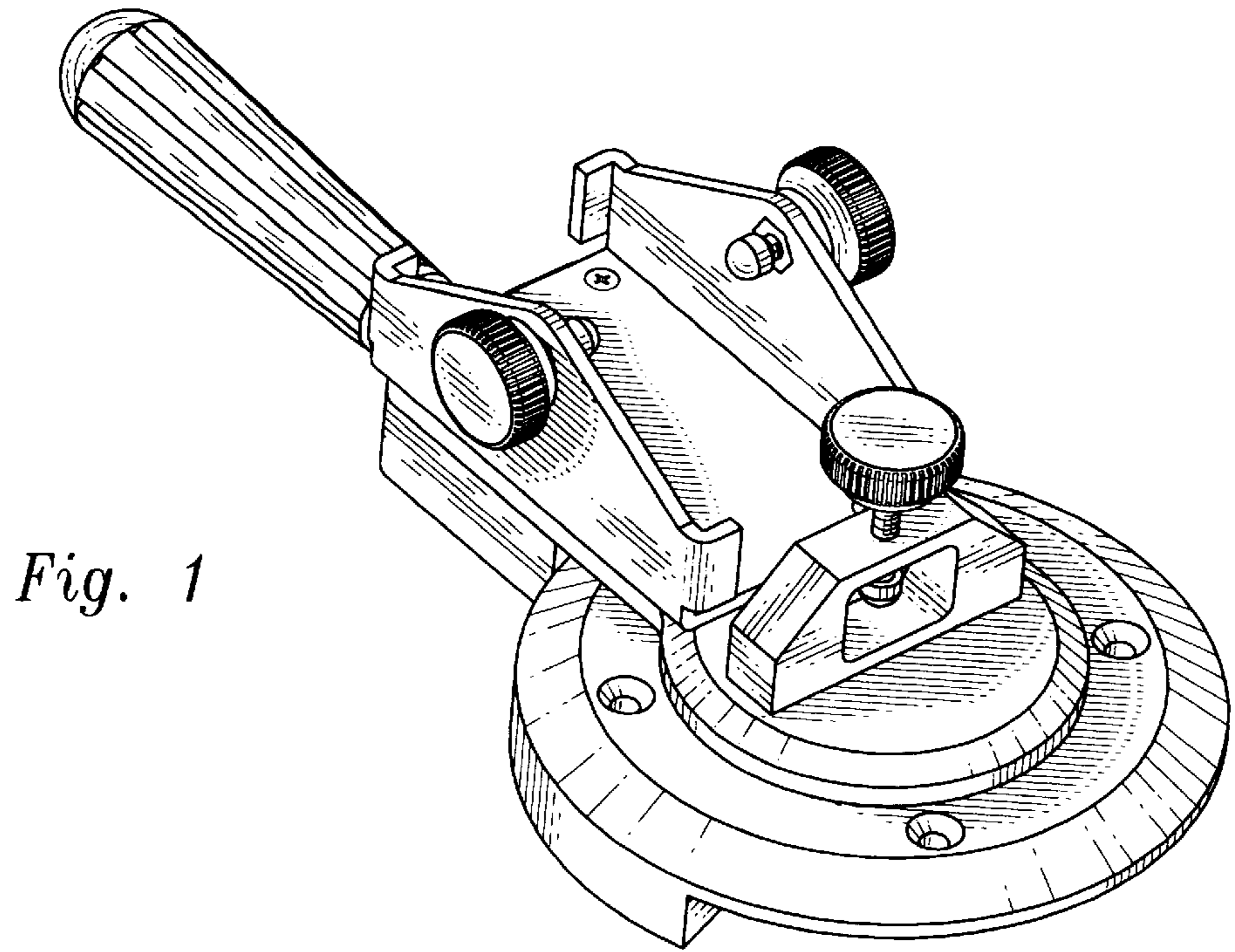


Fig. 1

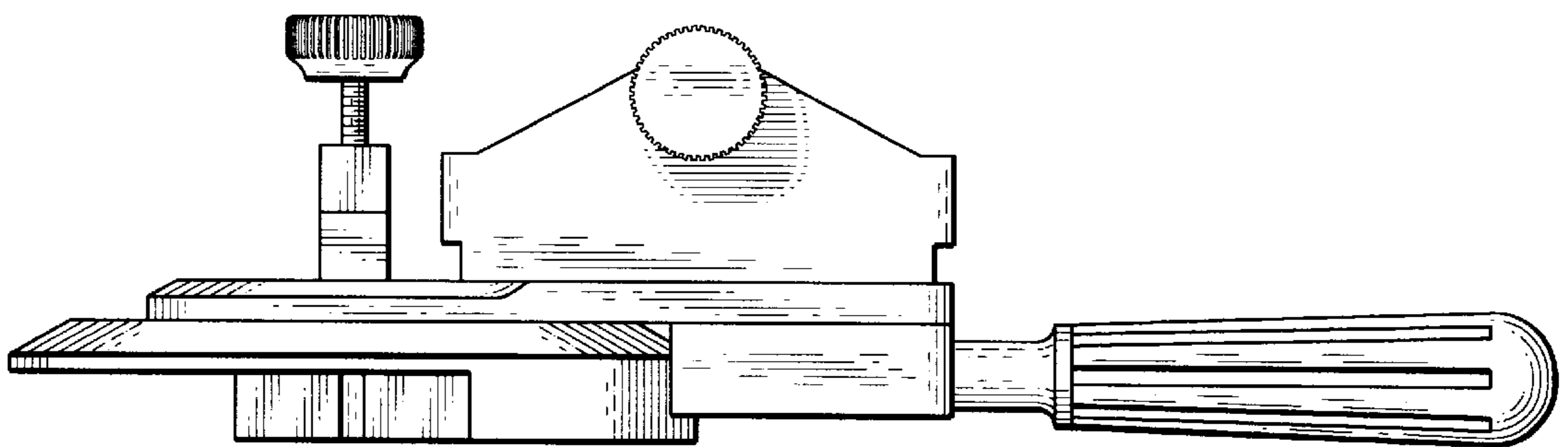


Fig. 2

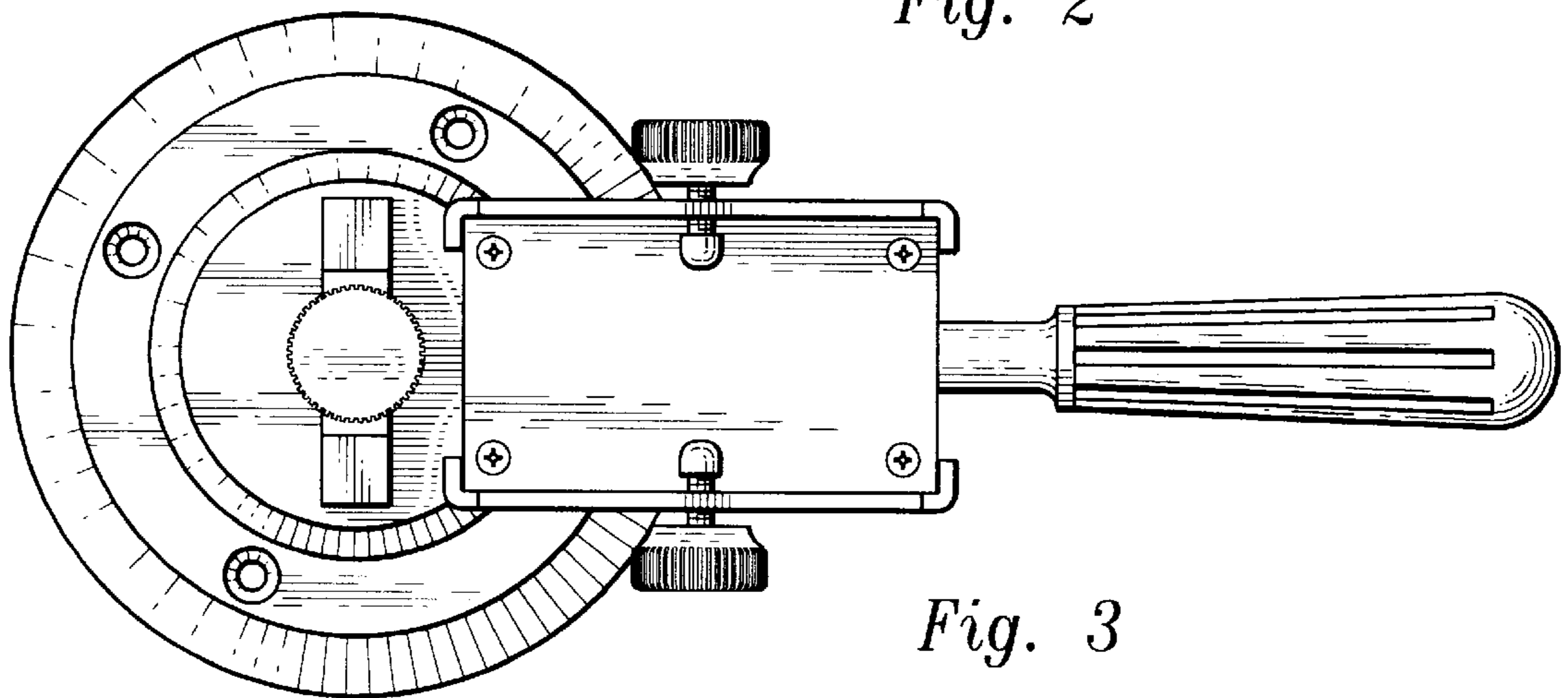


Fig. 3

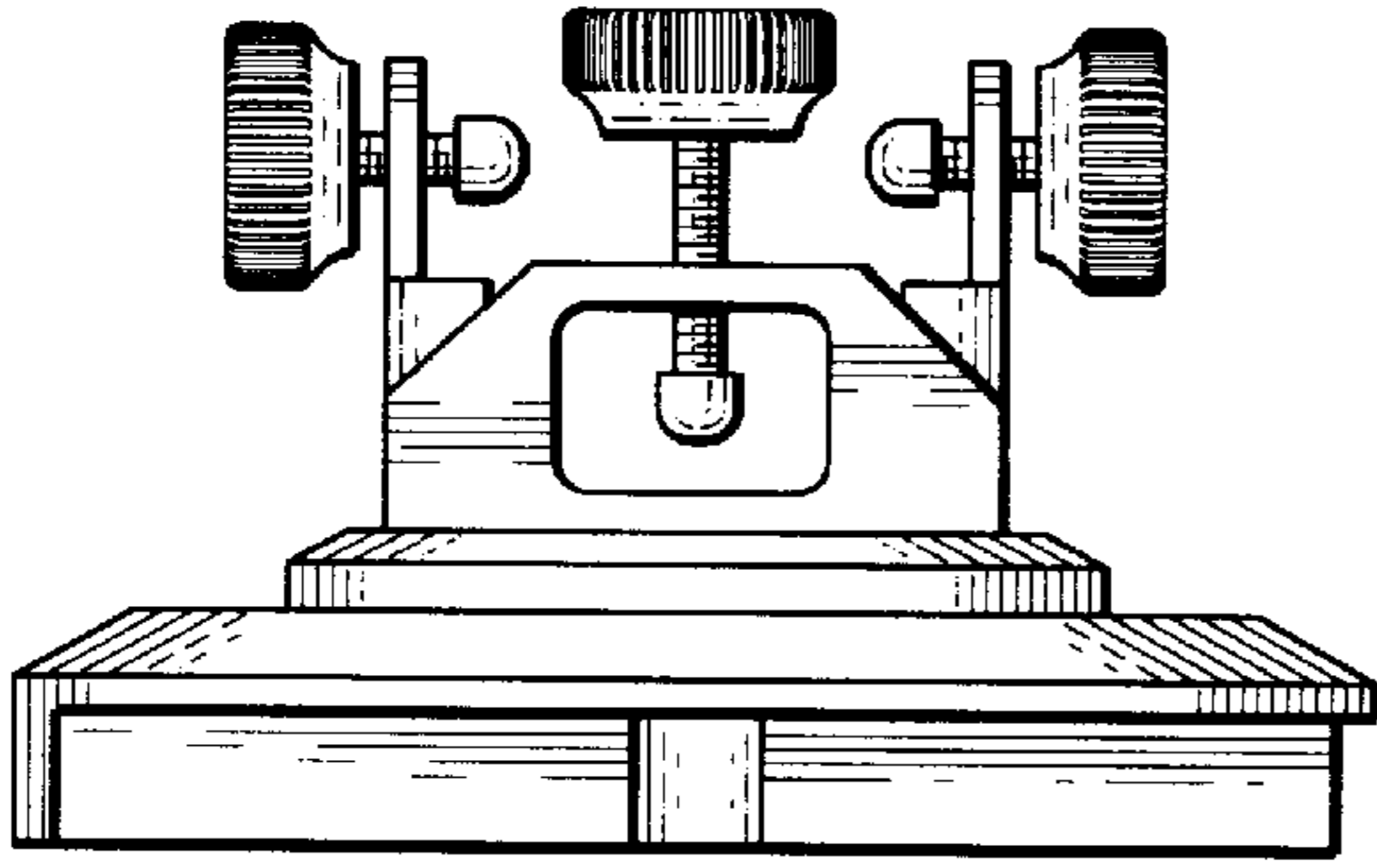


Fig. 4

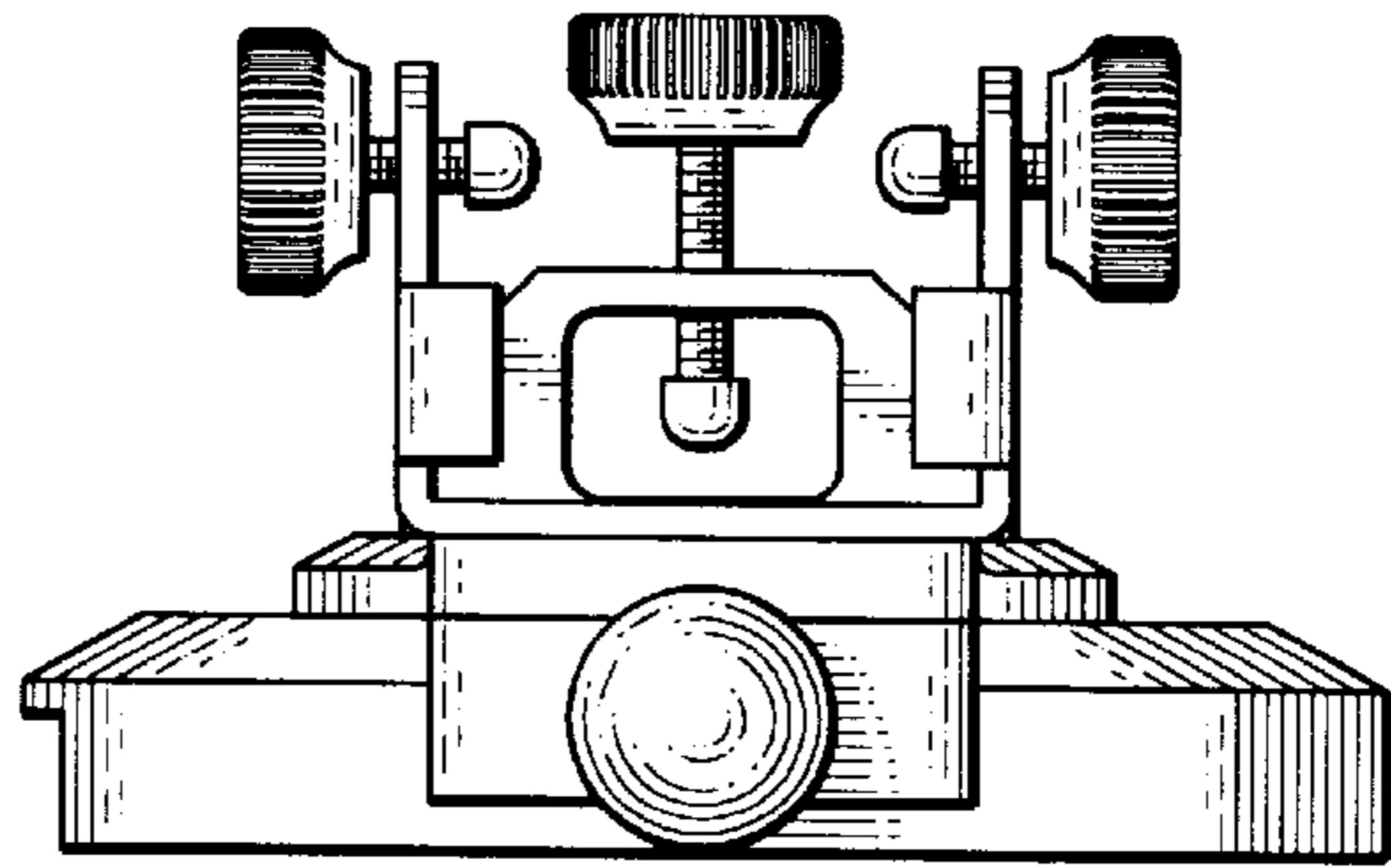


Fig. 5

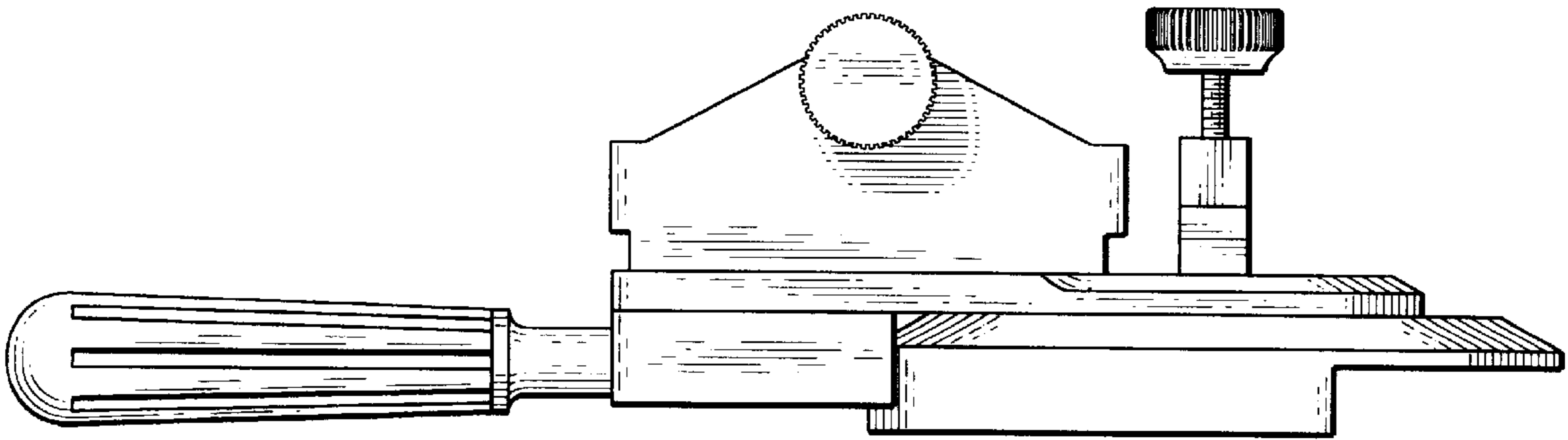


Fig. 6

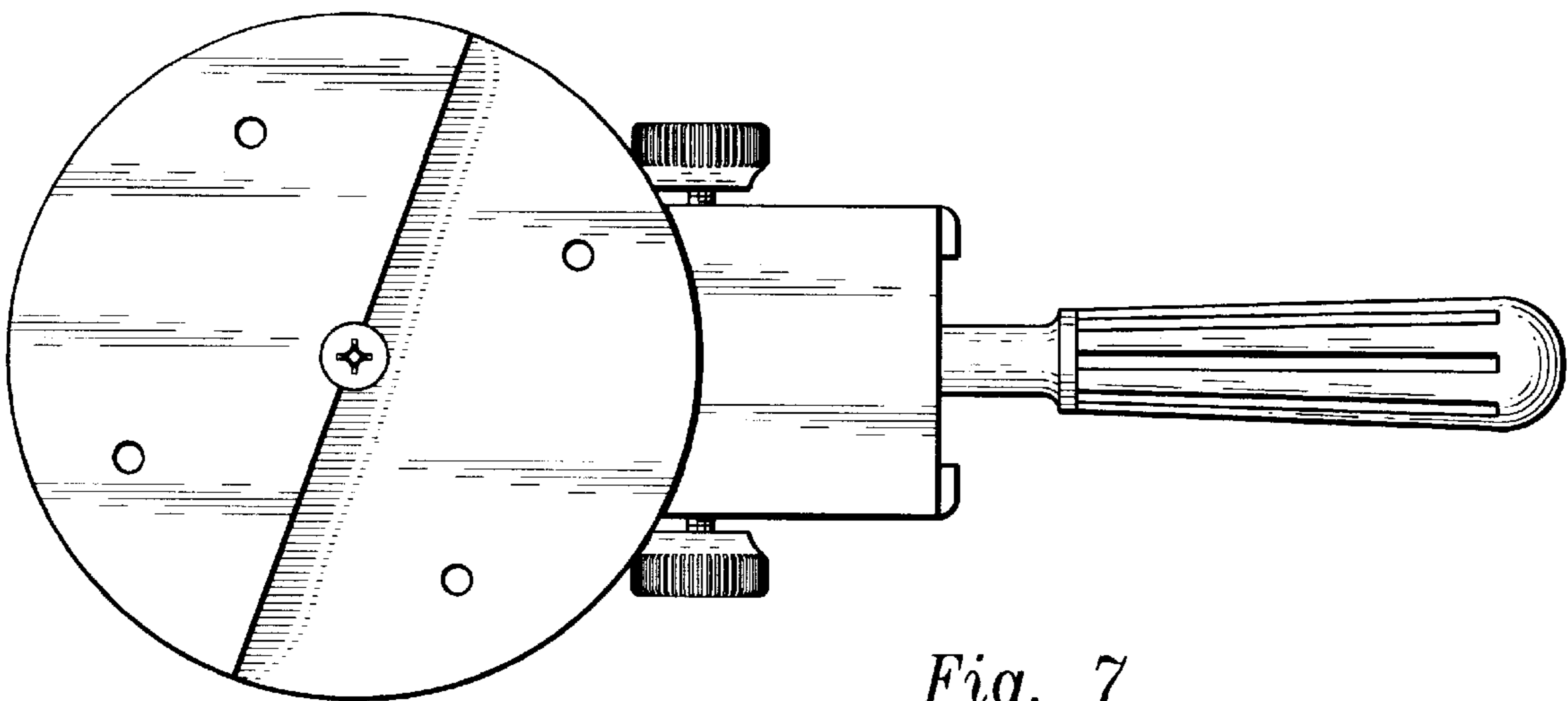


Fig. 7