



US00D432034S

United States Patent [19]
Heimerle

[11] **Patent Number: Des. 432,034**

[45] **Date of Patent: ** Oct. 17, 2000**

[54] **RETRACTABLE TAPE MEASURE FOR LEFT HAND GRIPPING**

[76] Inventor: **Thomas L. Heimerle**, 587 A Old Barn Rd. Lake Barrington Shores, Lake Barrington, Ill. 60010

[**] Term: **14 Years**

[21] Appl. No.: **29/112,866**

[22] Filed: **Oct. 25, 1999**

[51] **LOC (7) Cl.** **10-04**

[52] **U.S. Cl.** **D10/72**

[58] **Field of Search** D10/72; 33/755-771

[56] **References Cited**

U.S. PATENT DOCUMENTS

D. 341,328	11/1993	Wantiez	D10/72
D. 397,048	8/1998	Herndon	D10/72
5,426,863	6/1995	Biggel	33/763
5,894,678	4/1999	Masreliez et al.	33/762

Primary Examiner—Antoine Duval Davis
Attorney, Agent, or Firm—Charles F. Lind

[57] **CLAIM**

The ornamental design of a retractable tape measure for left hand gripping, substantially as shown and described.

DESCRIPTION

FIG. 1 is a perspective view of the subject retractable tape measure, shown with the tape partly withdrawn from the case;

FIG. 2 is a top view of the subject retractable tape measure;

FIG. 3 is a rear elevational view of the subject retractable tape measure;

FIG. 4 is a front elevational view of the subject retractable tape measure;

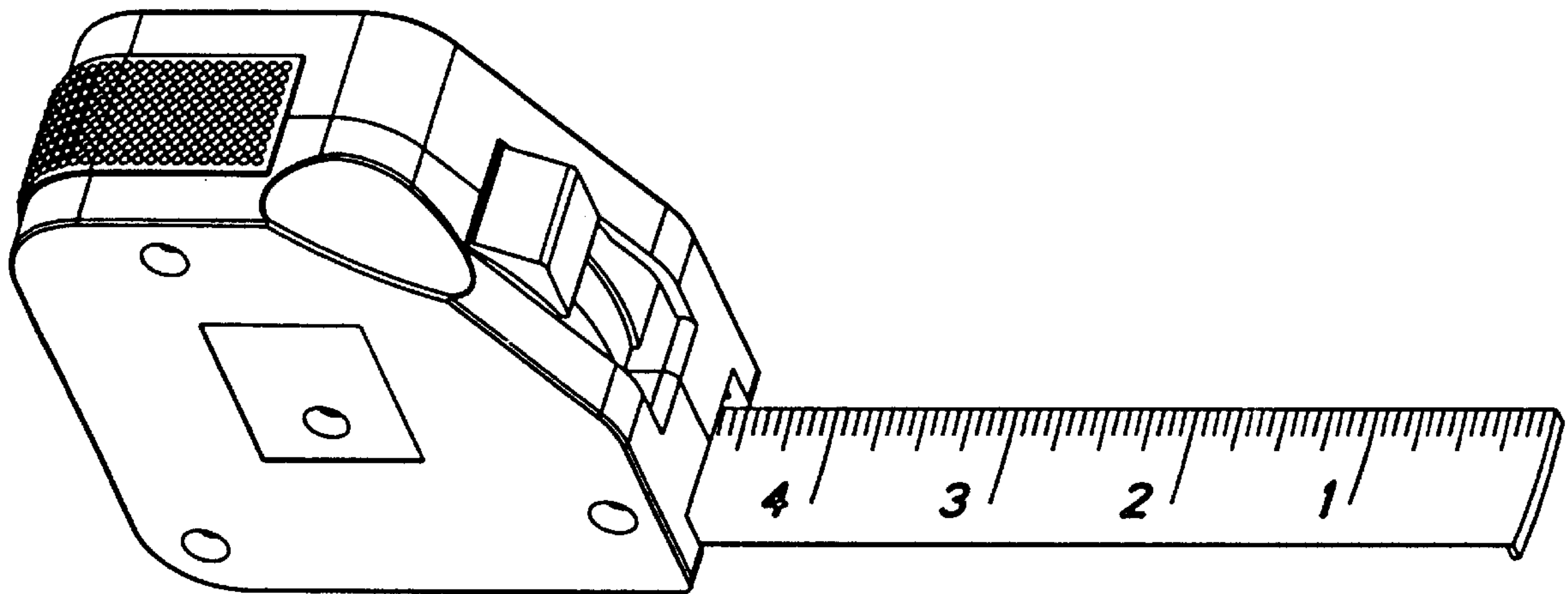
FIG. 5 is a right side elevational view of the subject retractable tape measure;

FIG. 6 is a left side elevational view of the subject retractable tape measure;

FIG. 7 is a bottom view of the subject retractable tape measure with the tape partly withdrawn from the case; and,

FIG. 8 is a bottom view of the subject retractable tape measure with the tape fully retracted within the case.

1 Claim, 8 Drawing Sheets



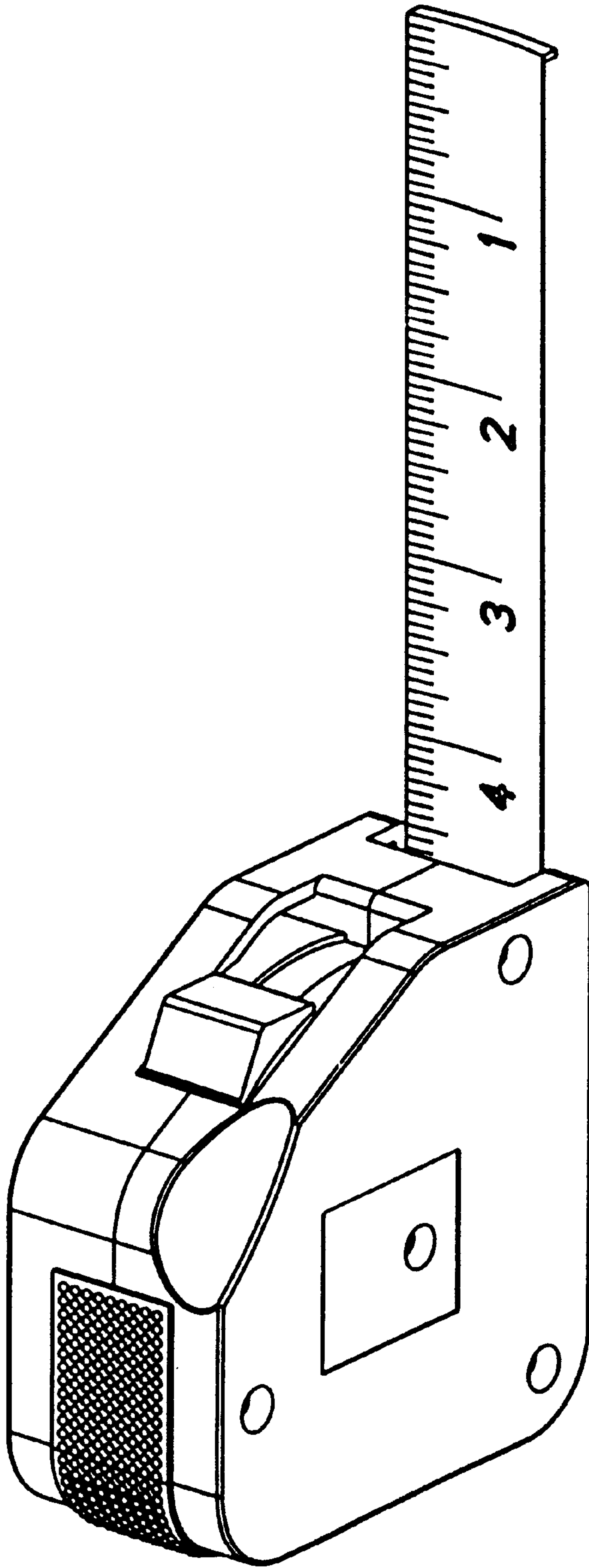


Figure 1

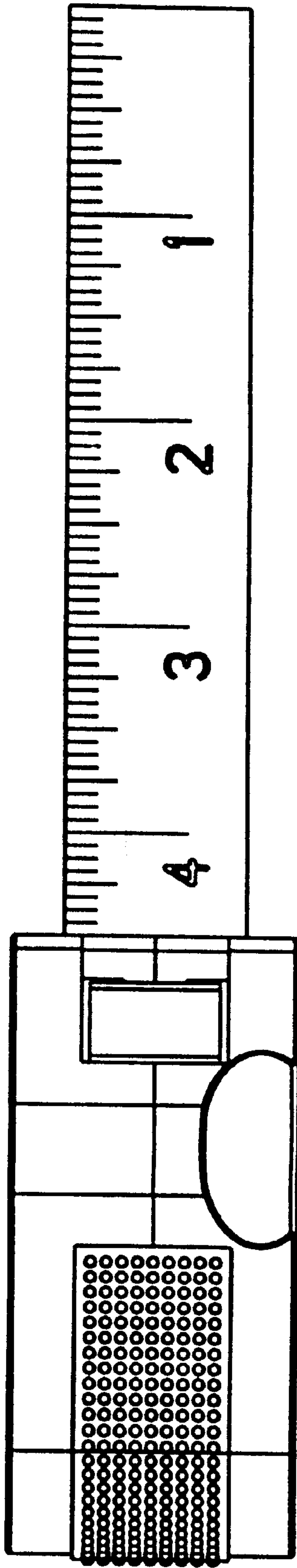


Figure 2

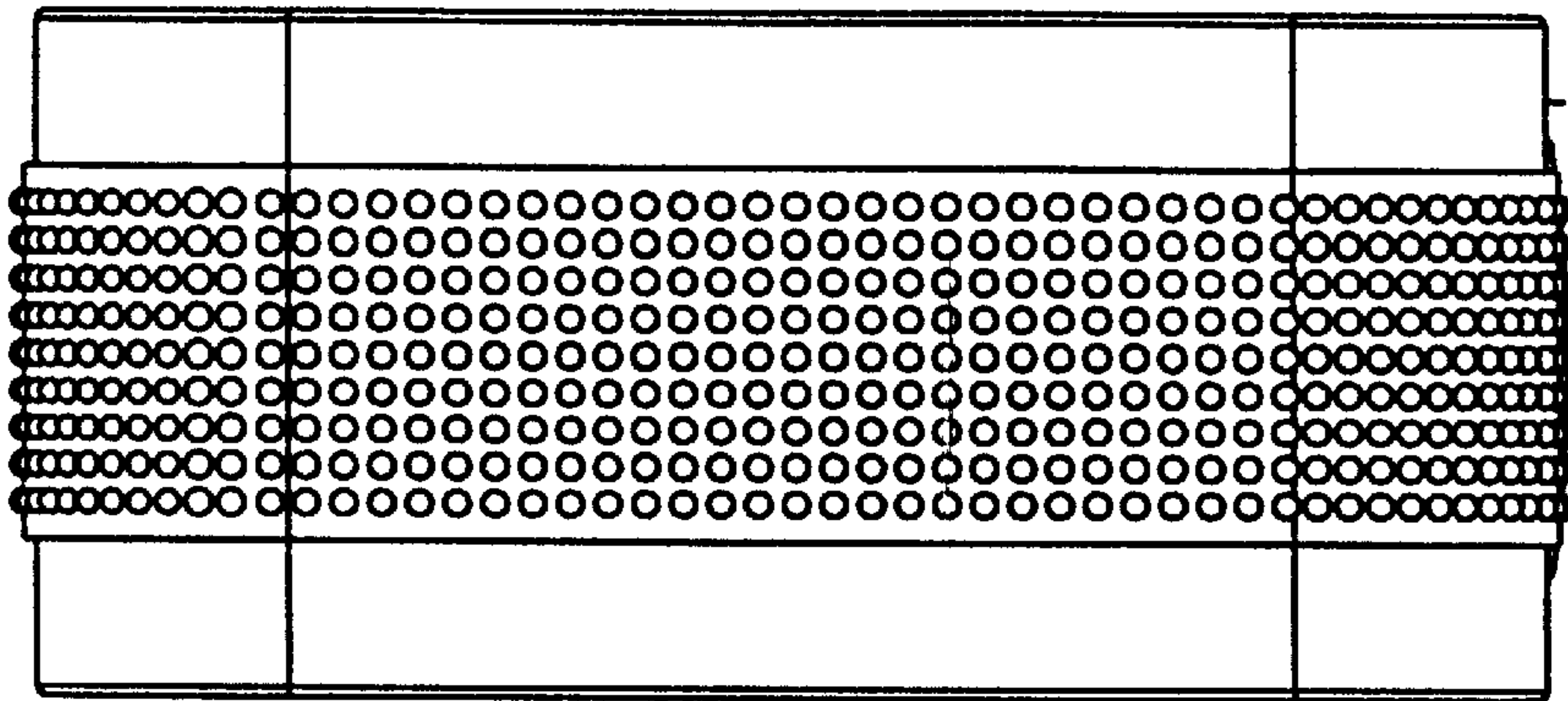


Figure 3

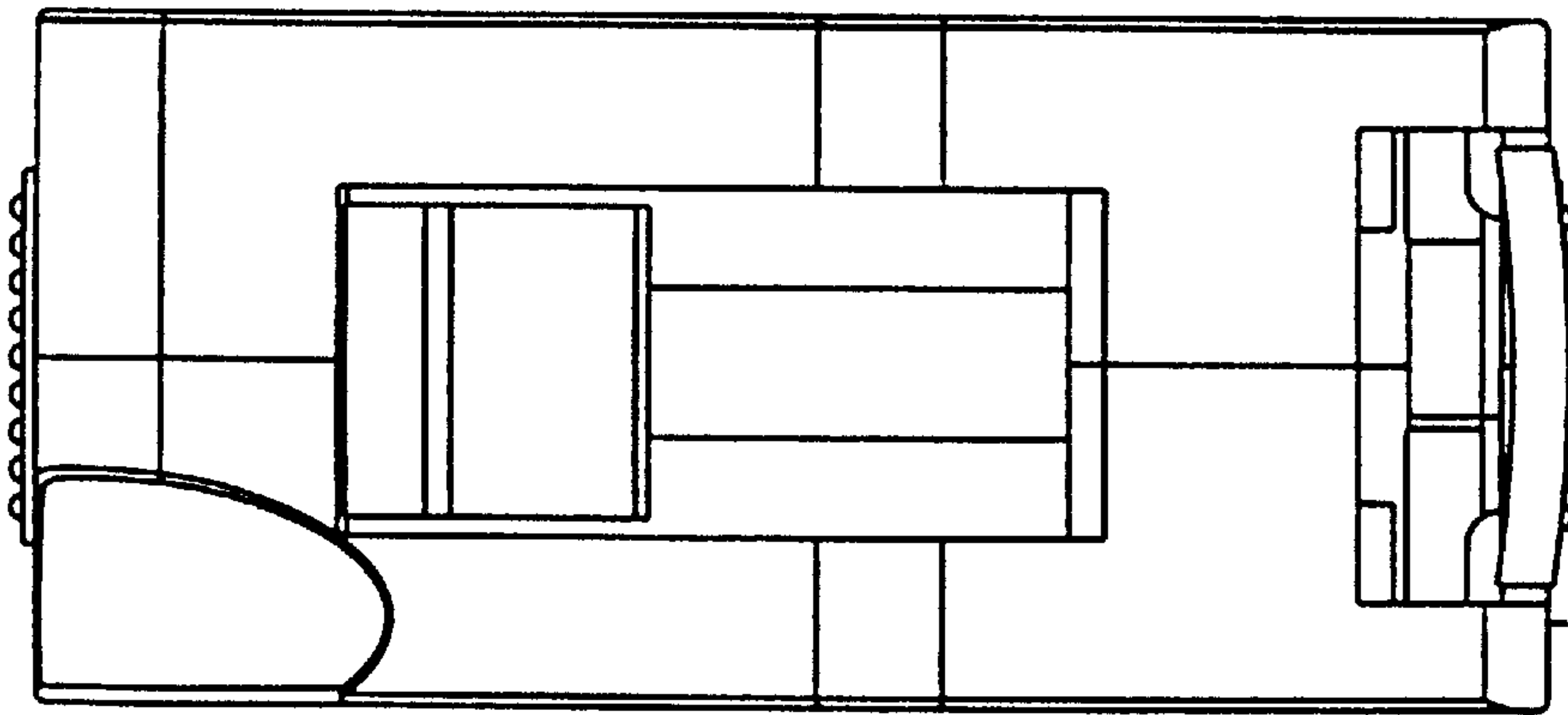


Figure 4

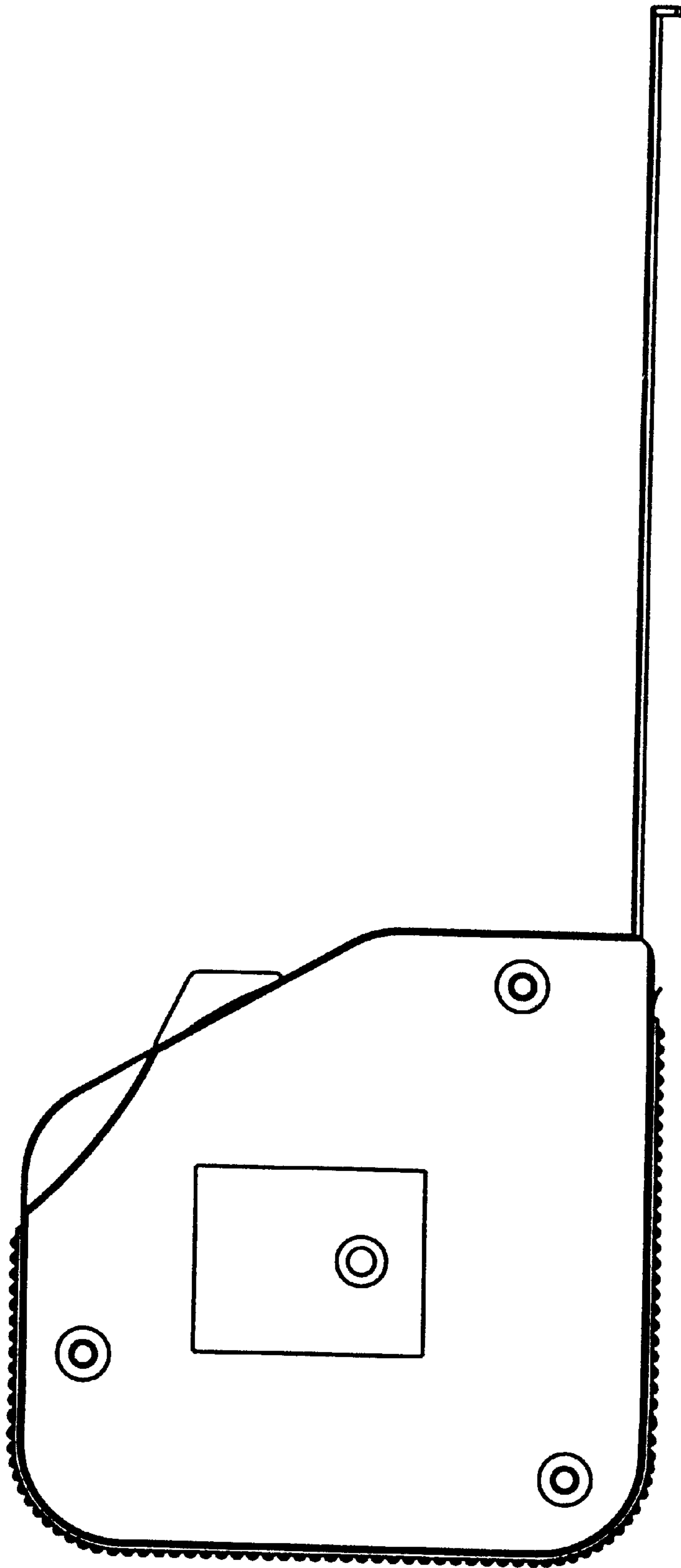


Figure 5

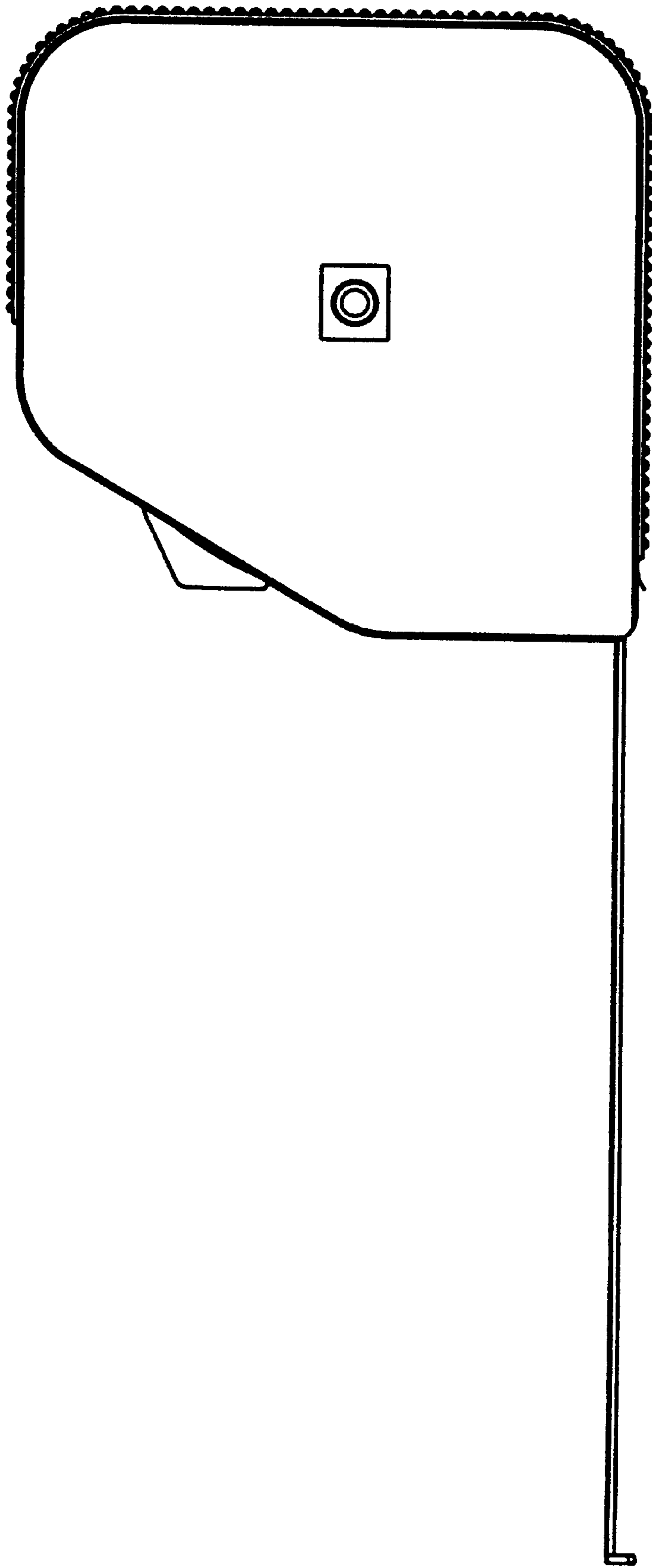


Figure 6

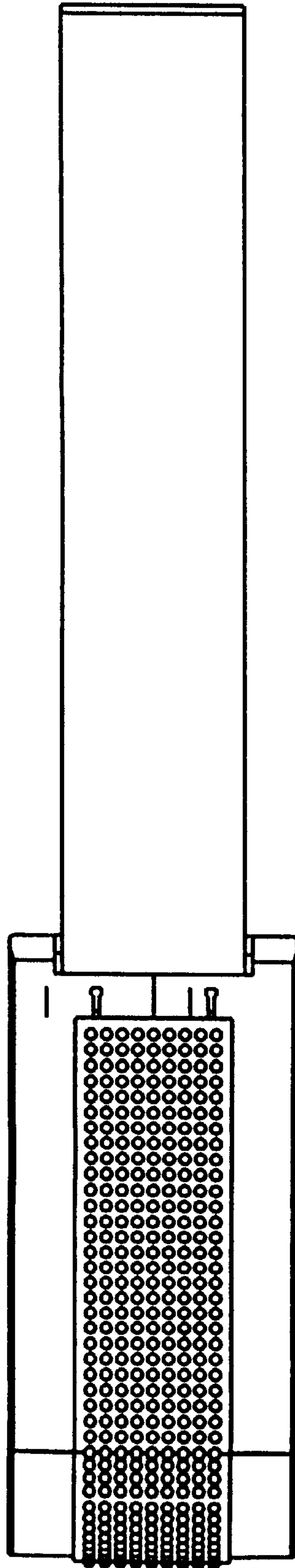


Figure 7

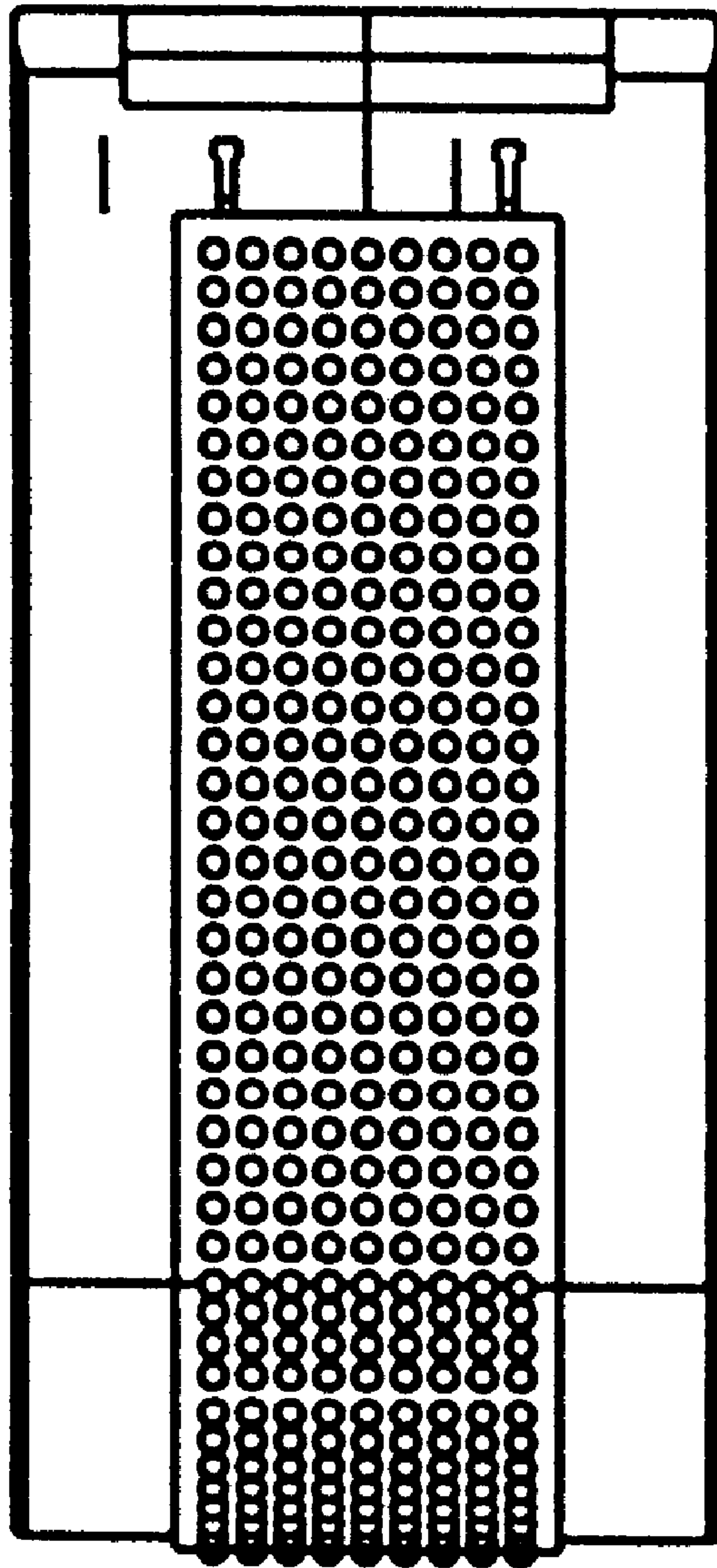


Figure 8