



US00D432033S

**United States Patent** [19]  
**Ziegler**

[11] **Patent Number: Des. 432,033**

[45] **Date of Patent: \*\* Oct. 17, 2000**

[54] **SURFACE CONFIGURATION OF AN OPTICAL MEASURING INSTRUMENT**

[75] Inventor: **Marcus Ziegler**, Munich, Germany

[73] Assignee: **DaimlerChrysler AG**, Stuttgart, Germany

[\*\*] Term: **14 Years**

[21] Appl. No.: **29/113,357**

[22] Filed: **Nov. 3, 1999**

[30] **Foreign Application Priority Data**

May 3, 1999 [DE] Germany ..... 499 04 292

[51] **LOC (7) Cl.** ..... **10-04**

[52] **U.S. Cl.** ..... **D10/70**

[58] **Field of Search** ..... D10/70; 385/134-139, 385/83, 97-99; 264/1.24, 1.25; 356/345

[56] **References Cited**

**U.S. PATENT DOCUMENTS**

6,052,505 4/2000 Bice et al. .... 385/136

*Primary Examiner*—Antoine Duval Davis

*Attorney, Agent, or Firm*—Evenson, McKeown, Edwards & Lenahan, P.L.L.C.

[57] **CLAIM**

The ornamental design for a surface configuration of an optical measuring instrument, as shown and described.

**DESCRIPTION**

FIG. 1 is a front perspective view of a surface configuration of an optical measuring instrument according to my novel design;

FIG. 2 is a front view of the surface configuration of an optical measuring instrument according to my novel design;

FIG. 3 is a left side view of the surface configuration of an optical measuring instrument according to my novel design;

FIG. 4 is a right side view of the surface configuration of an optical measuring instrument according to my novel design;

FIG. 5 is a rear view of the surface configuration of an optical measuring instrument according to my novel design;

FIG. 6 is a top view of the surface configuration of an optical measuring instrument according to my novel design;

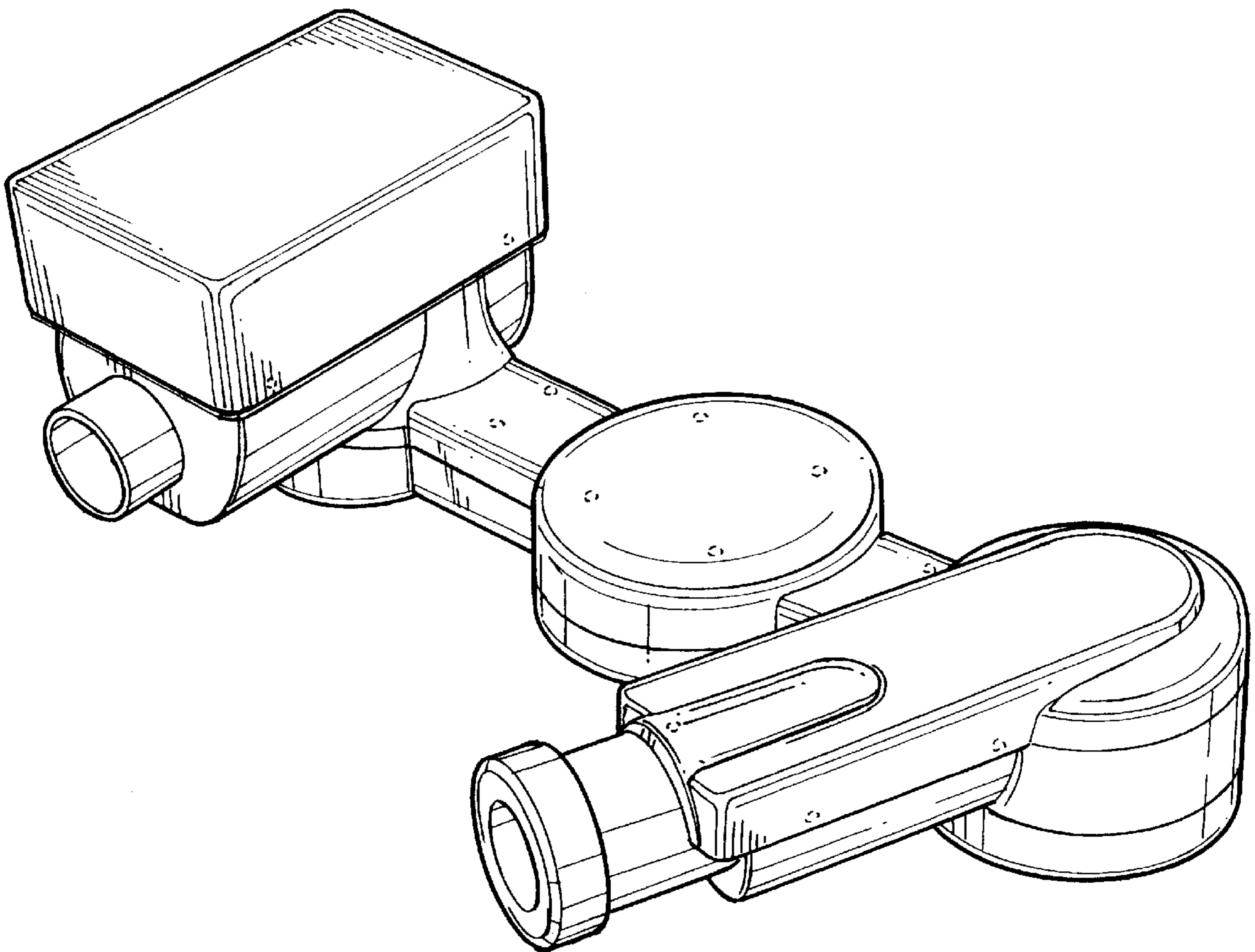
FIG. 7 is a bottom view of the surface configuration of an optical measuring instrument according to my novel design;

and,

FIG. 8 is a rear perspective view of the surface configuration of an optical measuring instrument according to my novel design.

The broken line showing is for illustrative purposes only and forms no part of the claimed design.

**1 Claim, 6 Drawing Sheets**



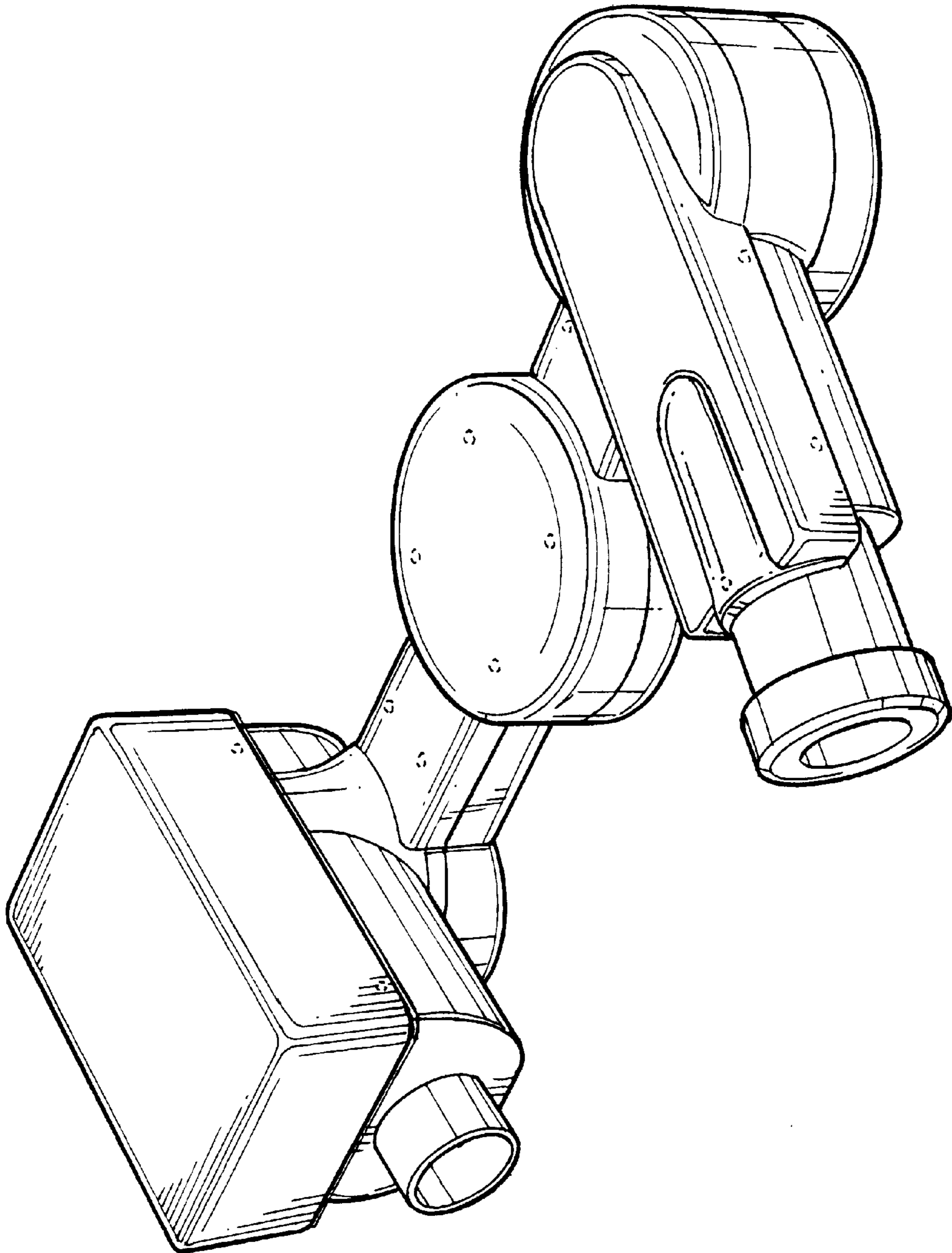


FIG. 1

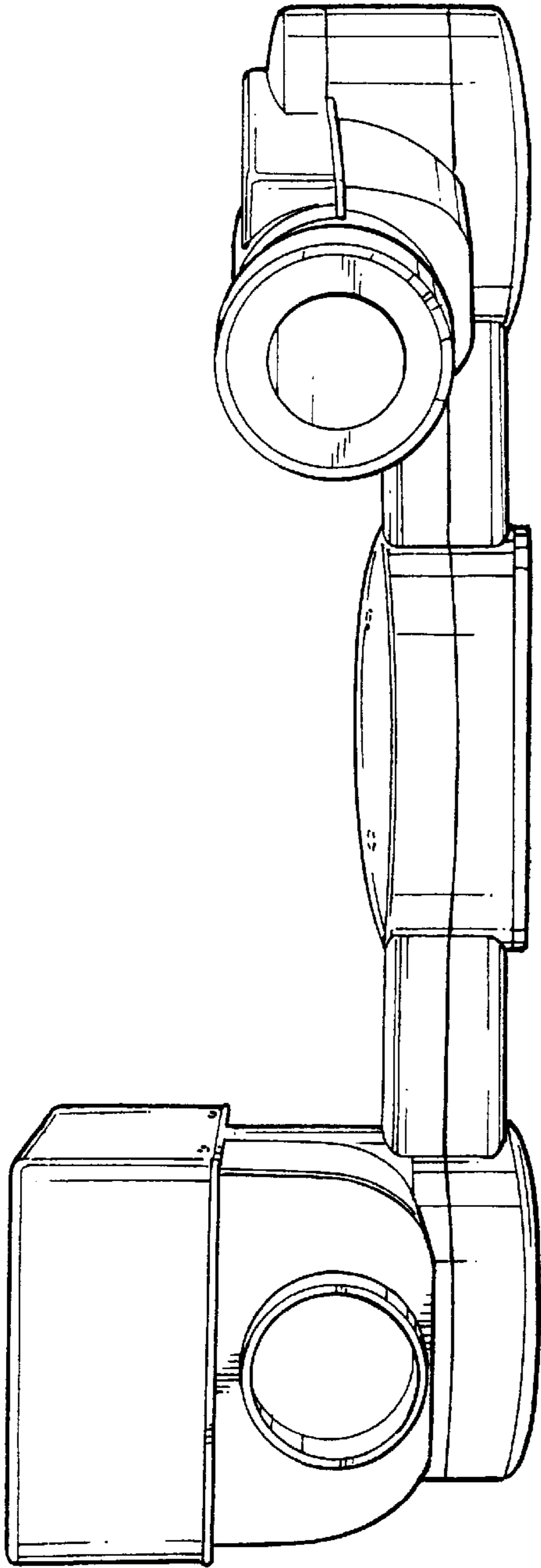


FIG. 2

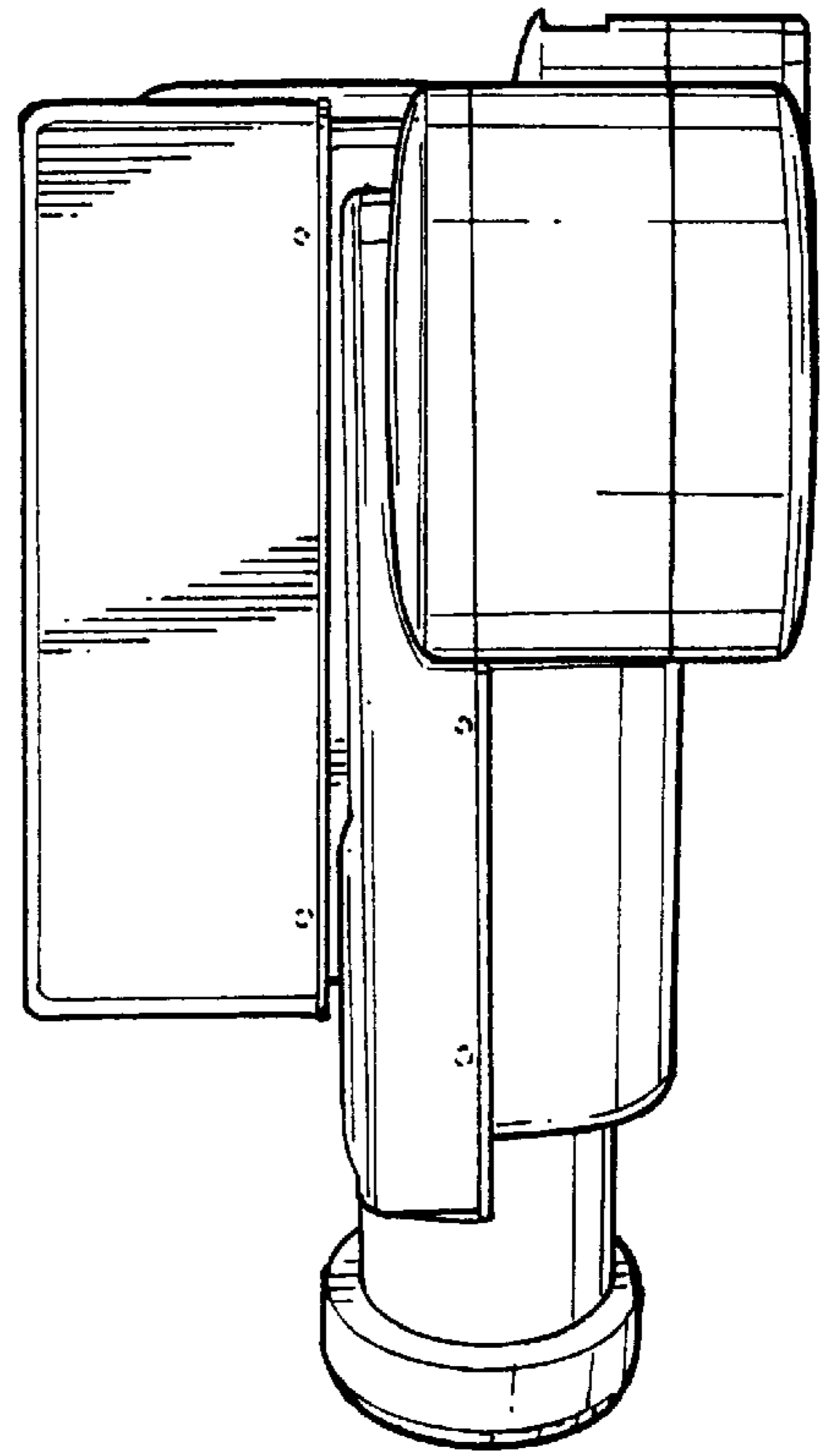


FIG. 3

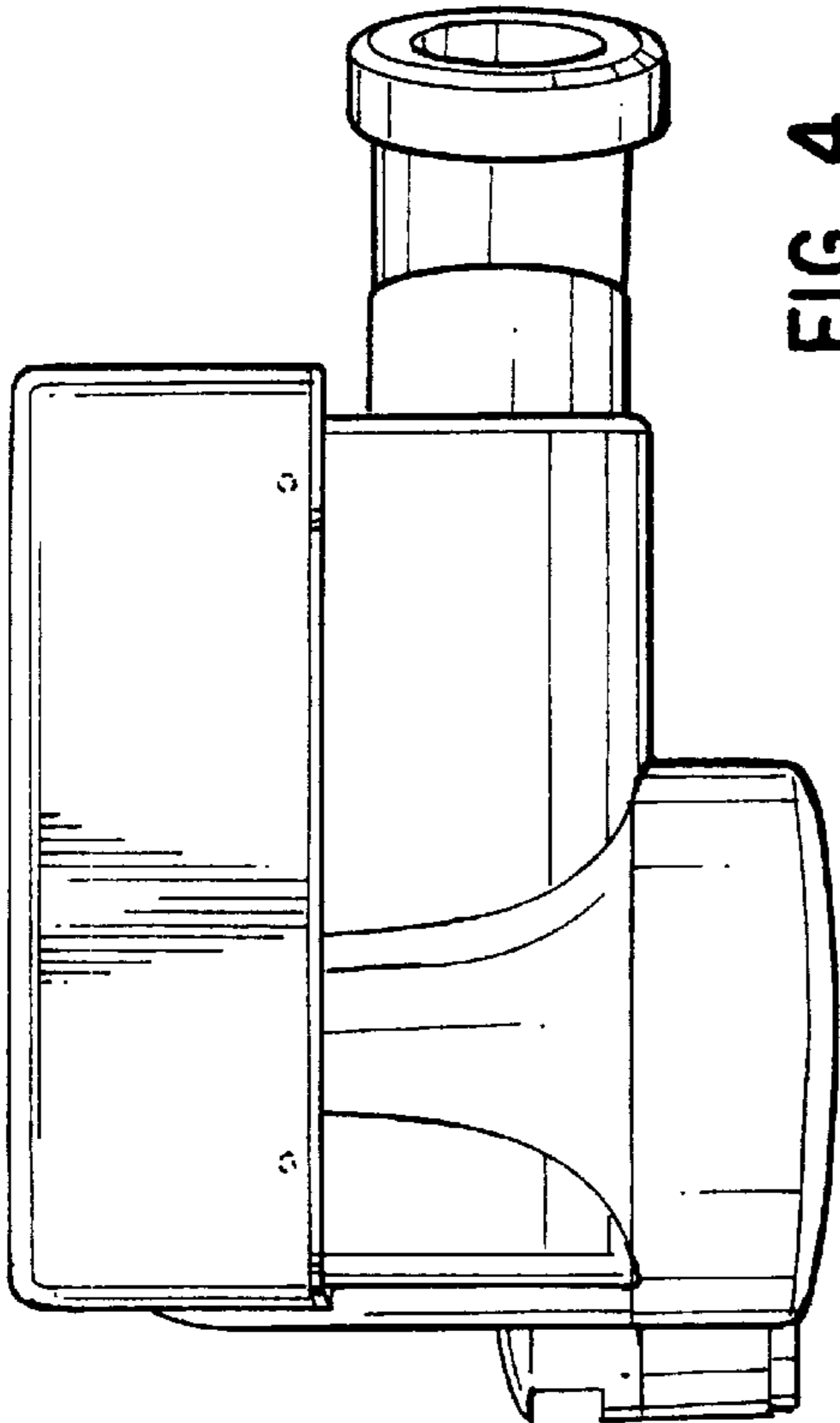


FIG. 4

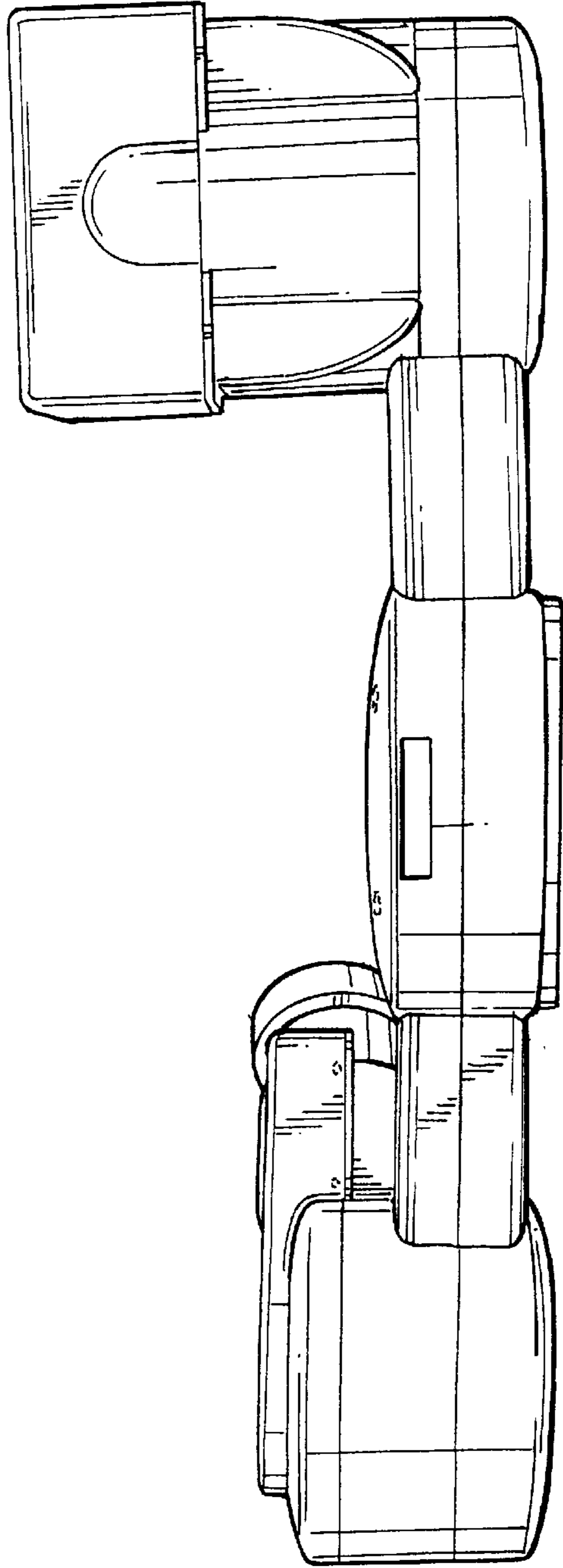


FIG. 5

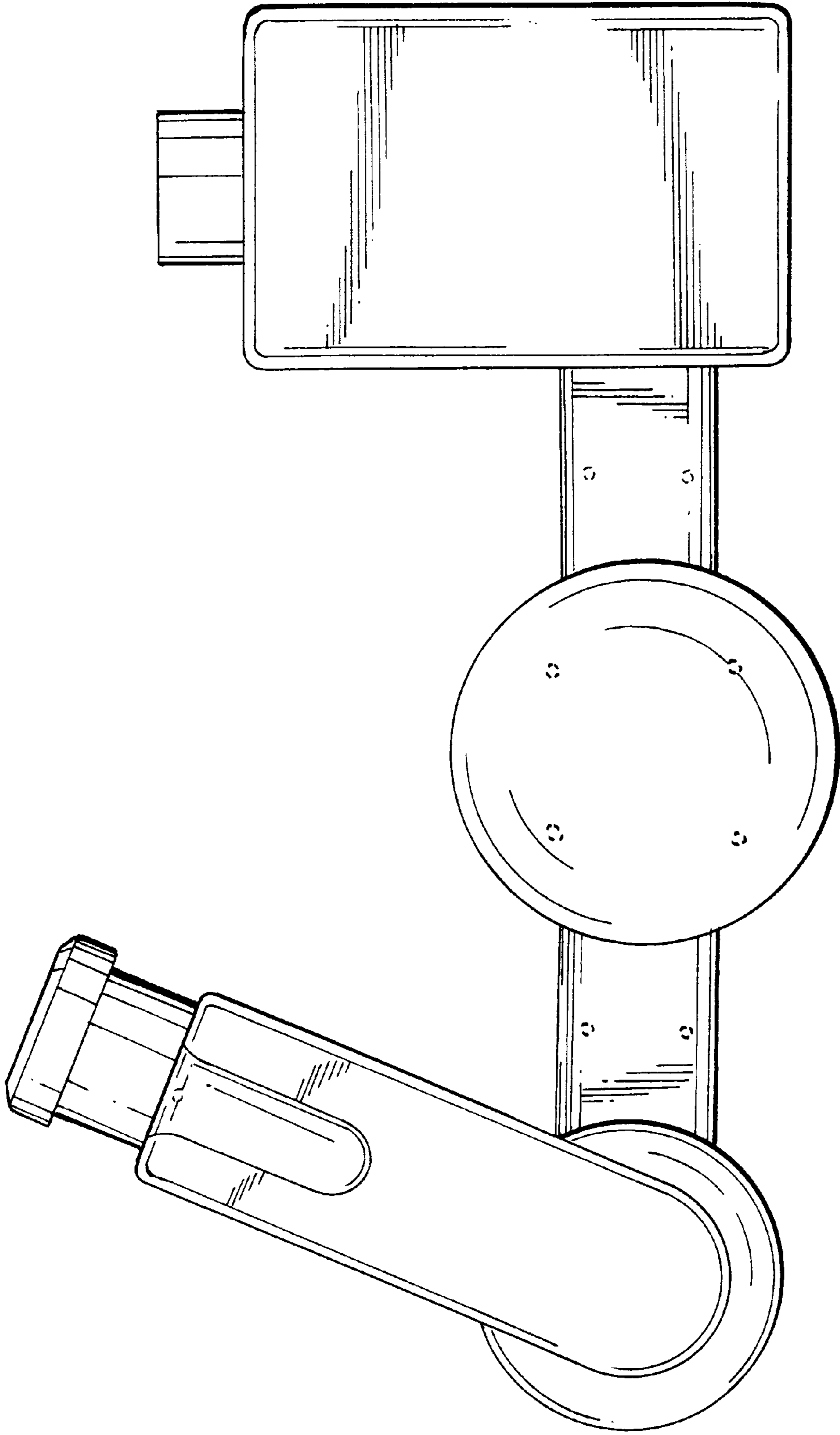


FIG. 6

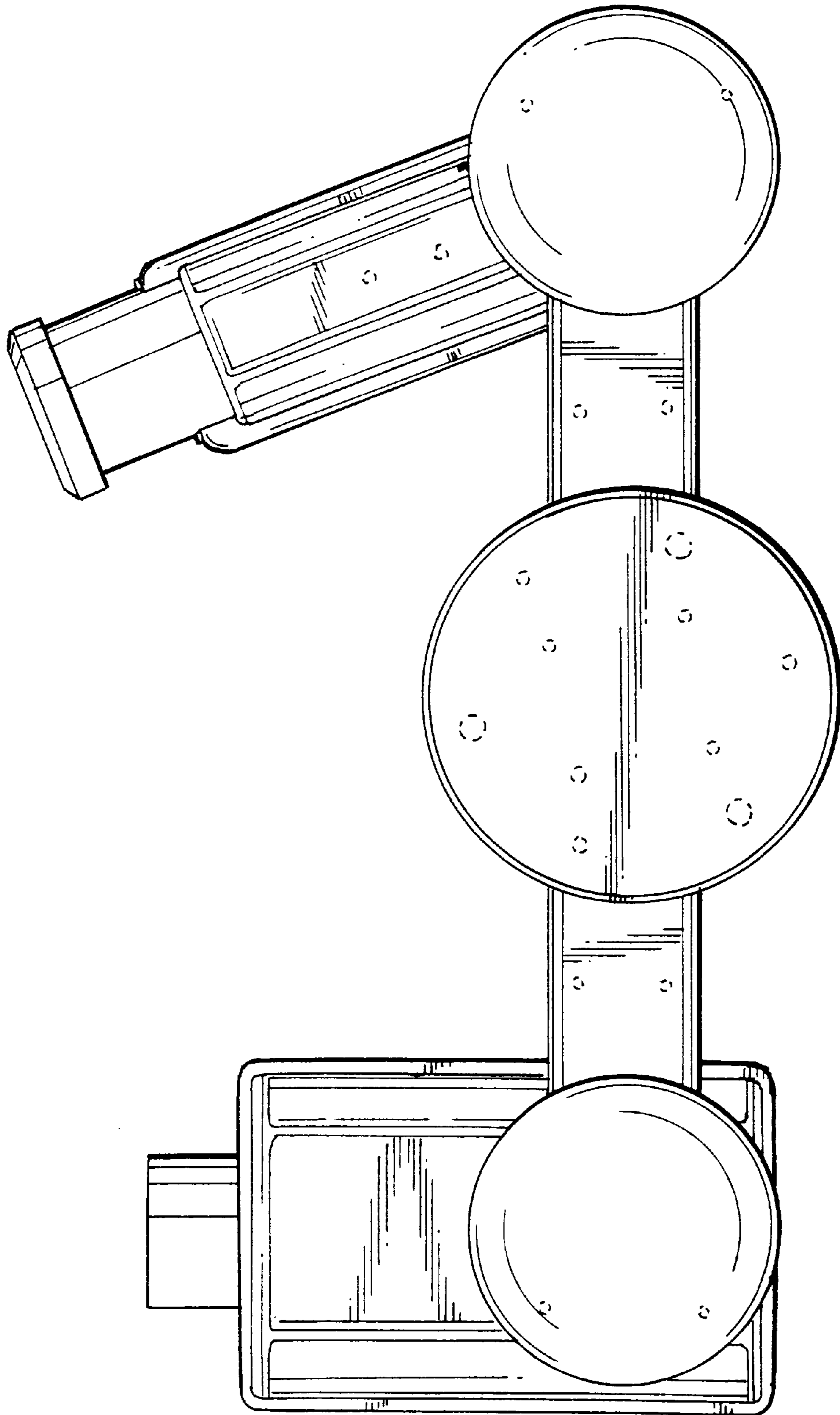


FIG. 7

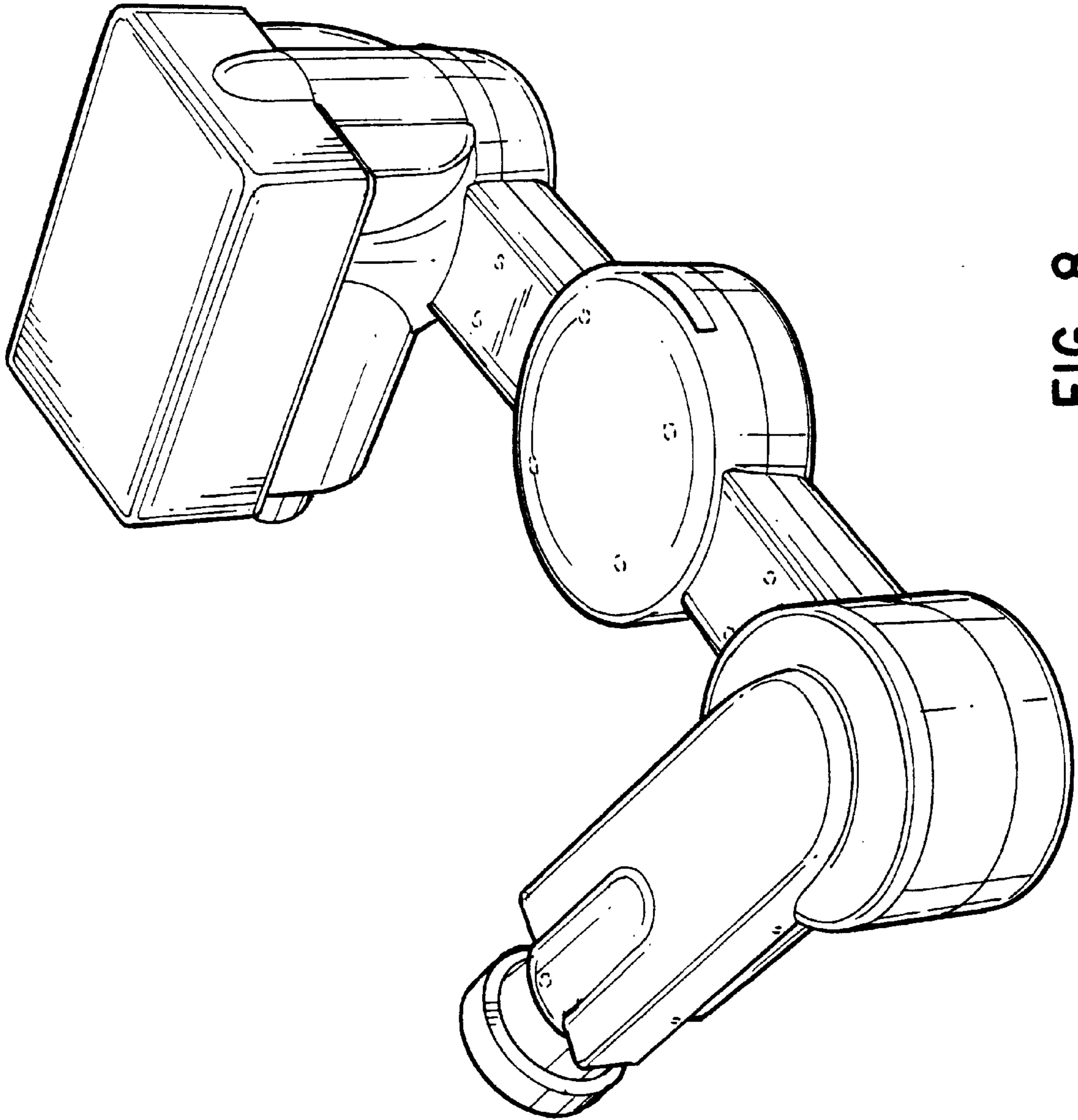


FIG. 8