



US00D432030S

# United States Patent [19] Stekelenburg

[11] Patent Number: Des. 432,030

[45] Date of Patent: \*\* Oct. 17, 2000

[54] **TIMER**

[75] Inventor: **Albert Stekelenburg**, Taipei, Taiwan

[73] Assignee: **All-Time Inc.**, Taipei, Taiwan

[\*\*] Term: **14 Years**

[21] Appl. No.: **29/118,702**

[22] Filed: **Feb. 14, 2000**

[51] **LOC (7) Cl.** ..... **10-03**

[52] **U.S. Cl.** ..... **D10/40**

[58] **Field of Search** ..... D10/1-40, 122-132;  
200/38 R; 368/96-100, 107-121, 276-277,  
285, 316, 317; 307/141 R, 141.4

[56] **References Cited**

**U.S. PATENT DOCUMENTS**

- D. 265,553 7/1982 Joss et al. .... D10/40
- D. 296,878 7/1988 Rakocy ..... D10/40
- D. 380,396 7/1997 Svarnias et al. .... D10/40

- D. 402,902 12/1998 Chen ..... D10/40
- D. 402,903 12/1998 Chen ..... D10/40
- D. 405,376 2/1999 Stekelenburg ..... D10/40
- 2,670,794 3/1954 Gallegher ..... D10/40 X

*Primary Examiner*—Nelson C. Holtje  
*Attorney, Agent, or Firm*—Dougherty & Troxell

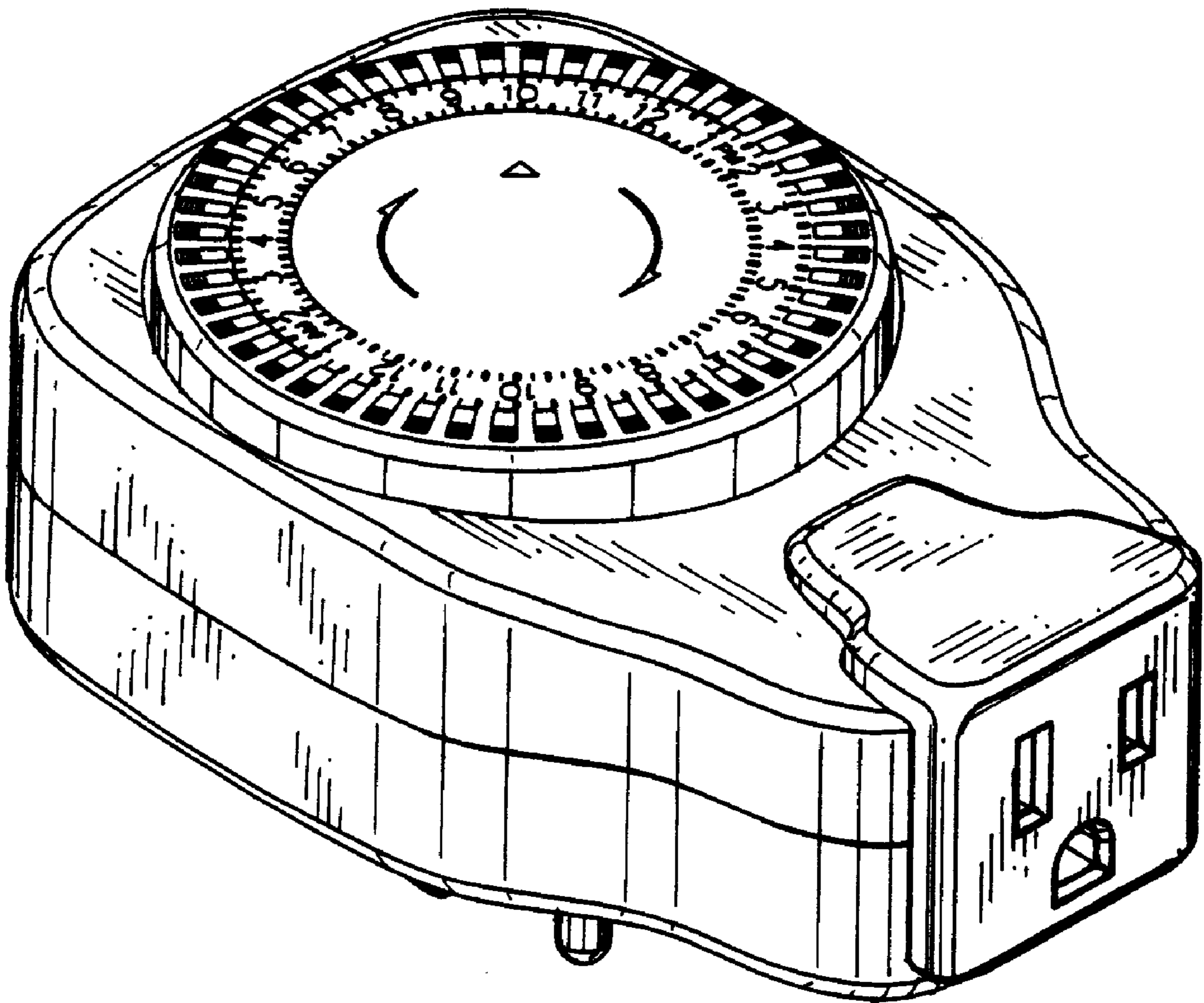
[57] **CLAIM**

The ornamental design for a timer, as shown and described.

**DESCRIPTION**

FIG. 1 is a front view of a timer showing the preferred embodiment of my new design;  
FIG. 2 is a right side elevational view thereof;  
FIG. 3 is a bottom view thereof;  
FIG. 4 is a left side elevational view thereof;  
FIG. 5 is a rear view thereof;  
FIG. 6 is a top elevational view thereof; and,  
FIG. 7 is a perspective view thereof.

**1 Claim, 3 Drawing Sheets**



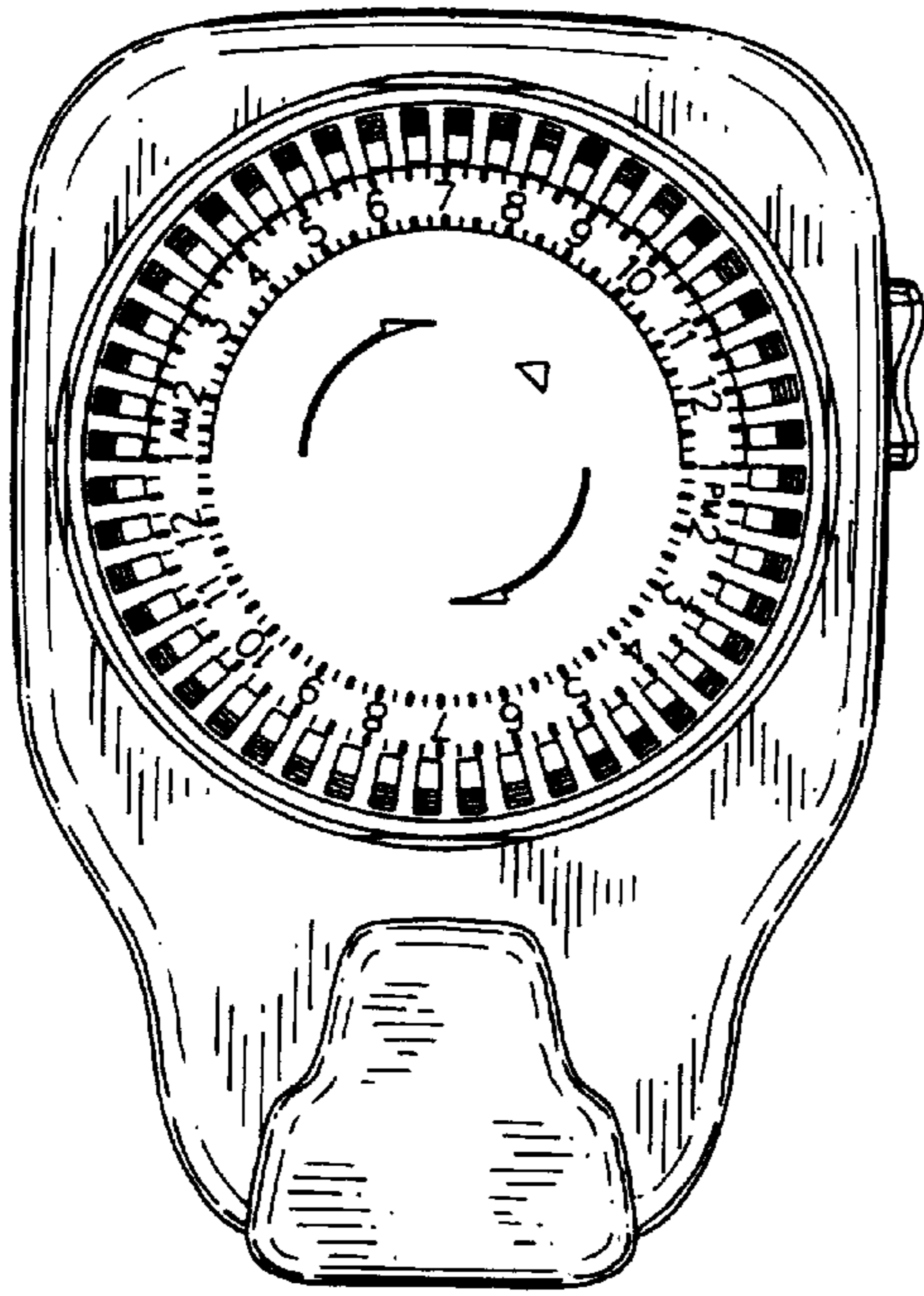


FIG. 1

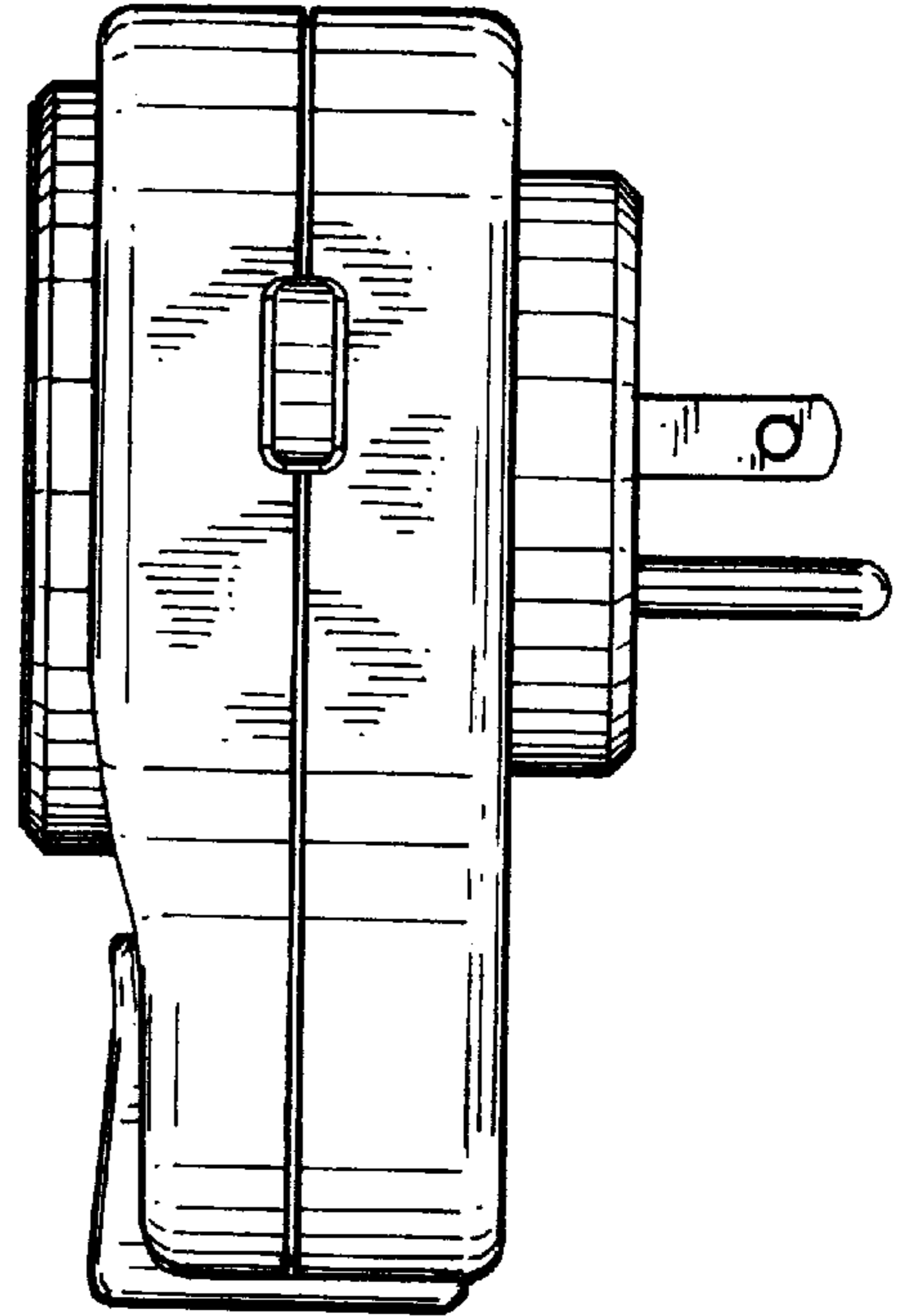


FIG. 2

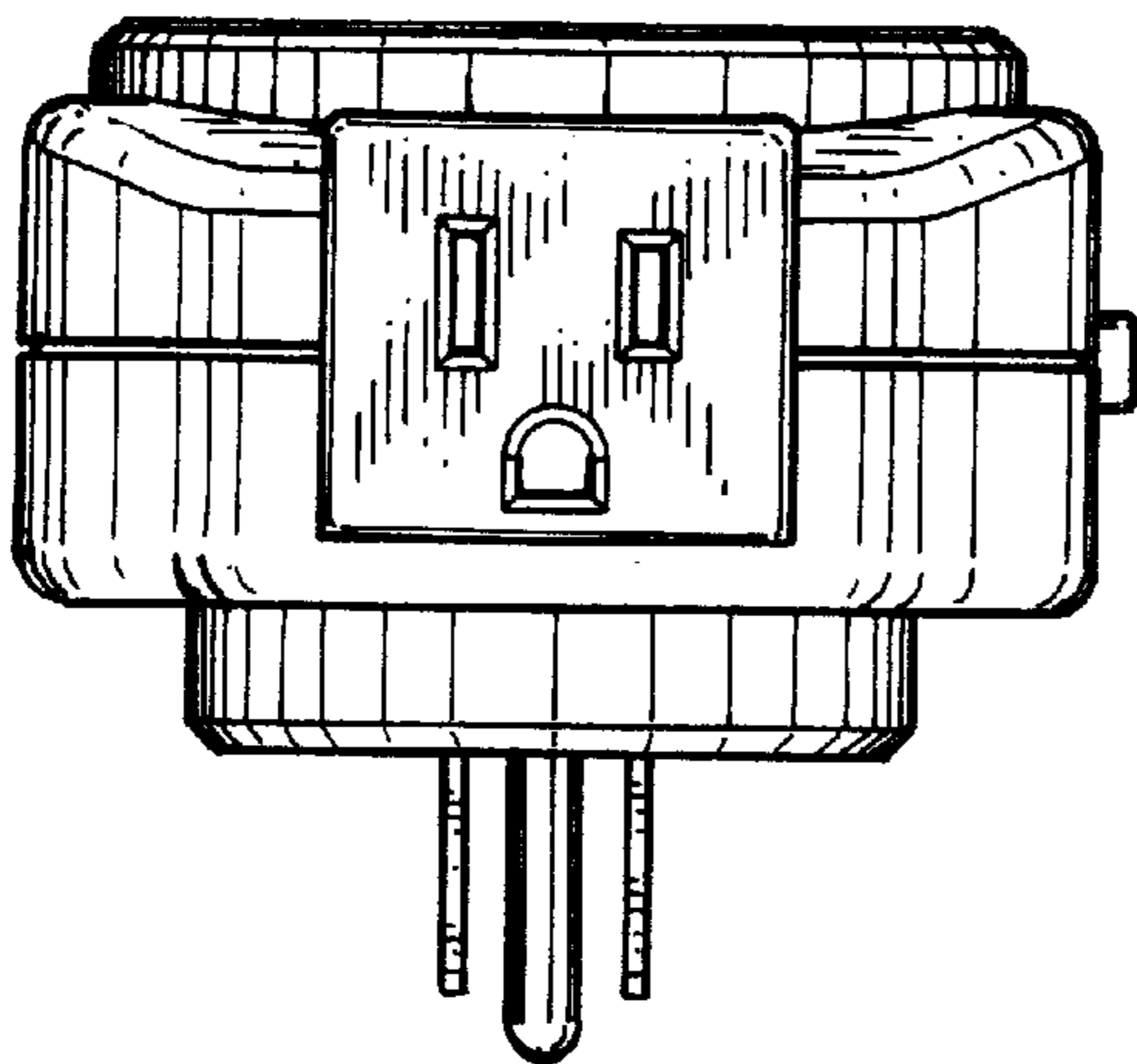


FIG. 3

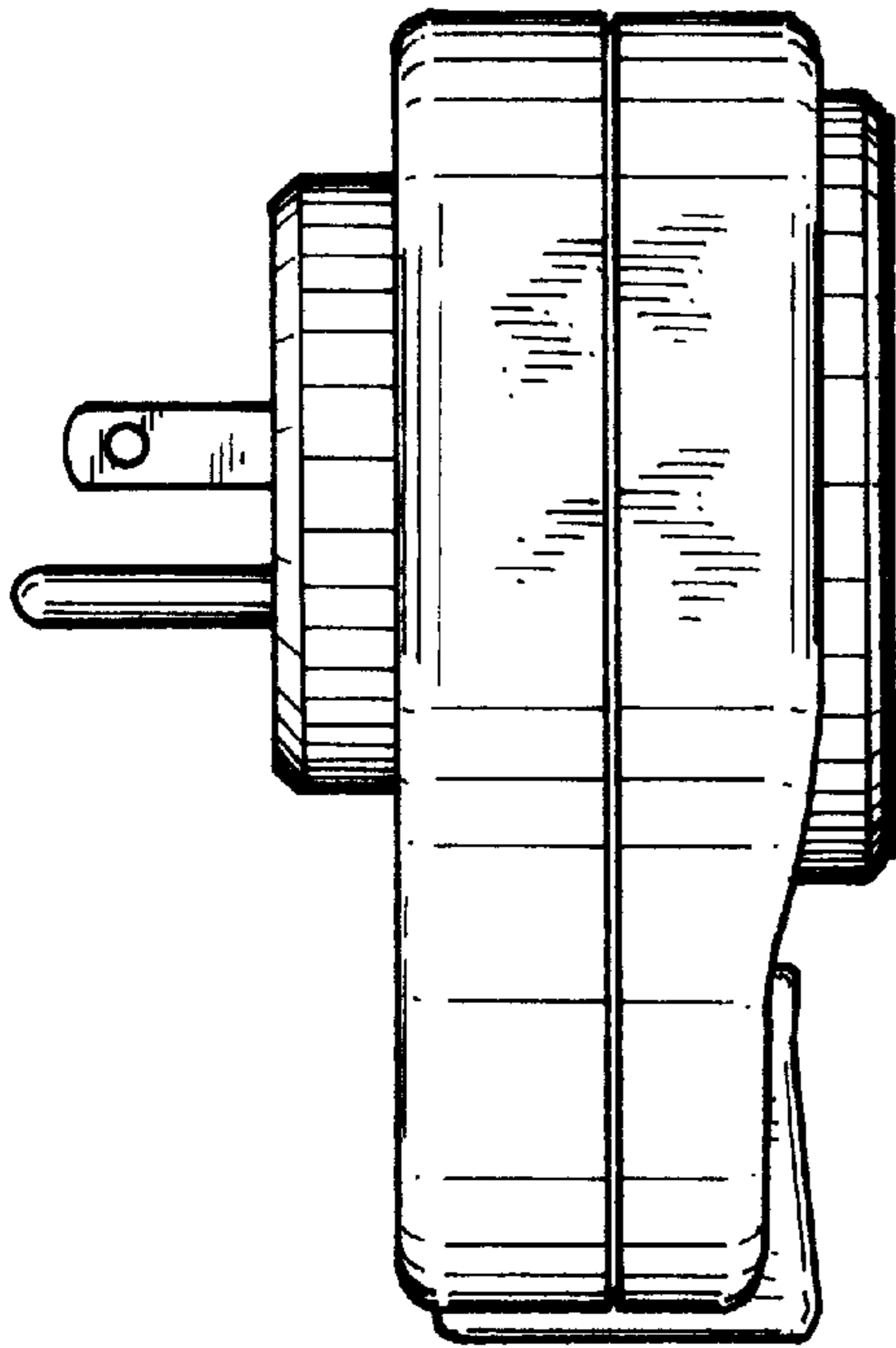


FIG. 4

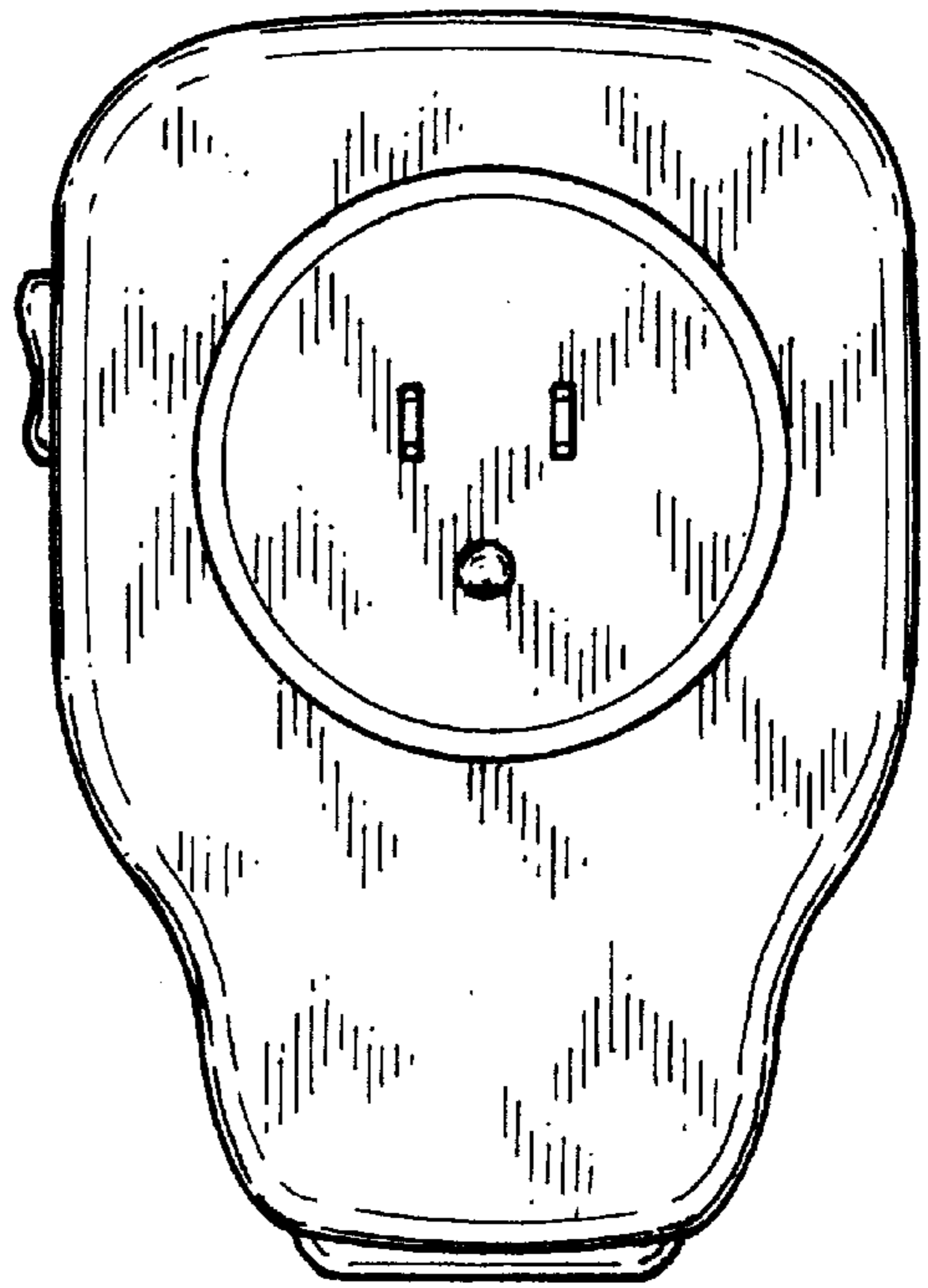


FIG. 5

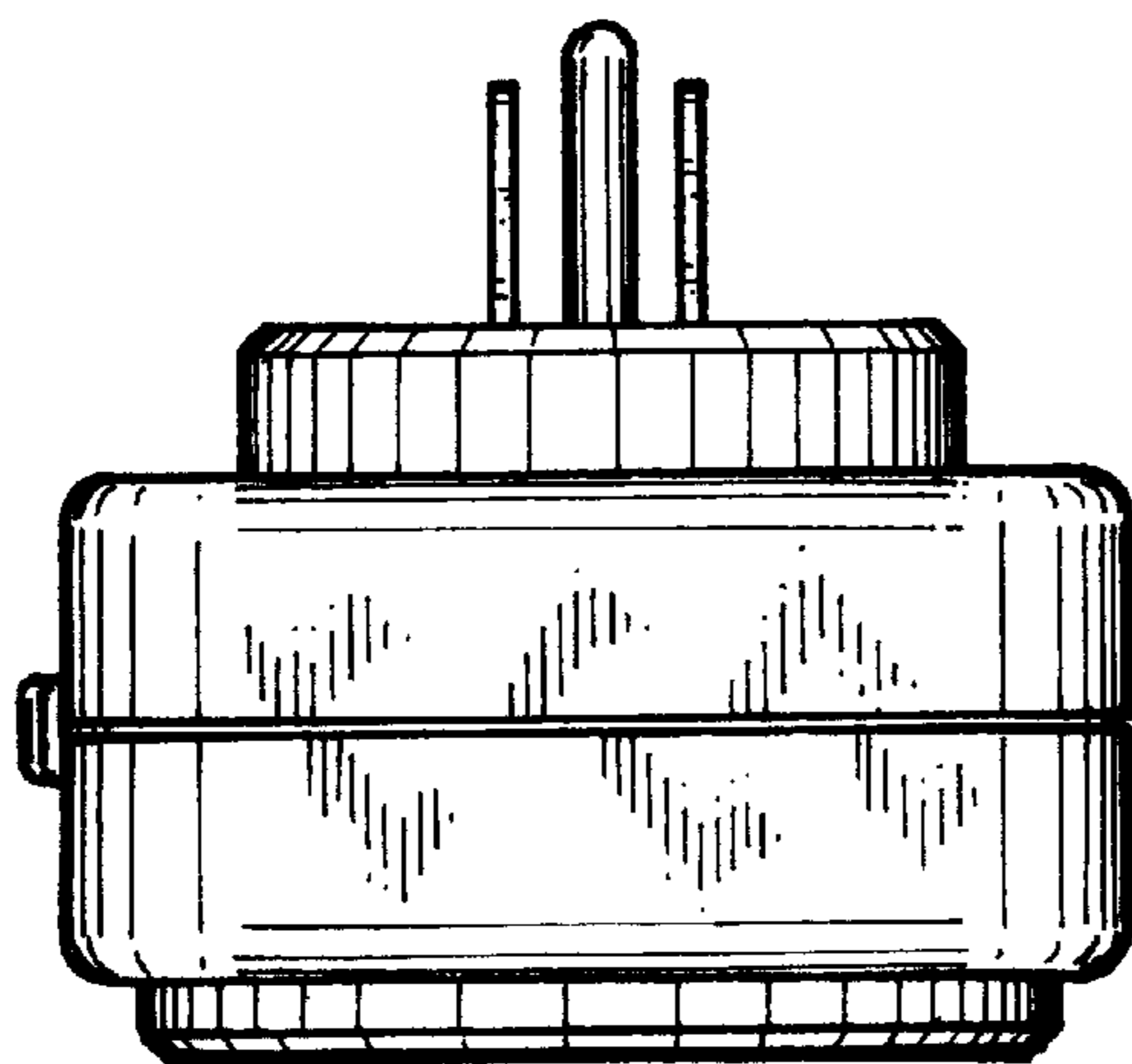


FIG. 6

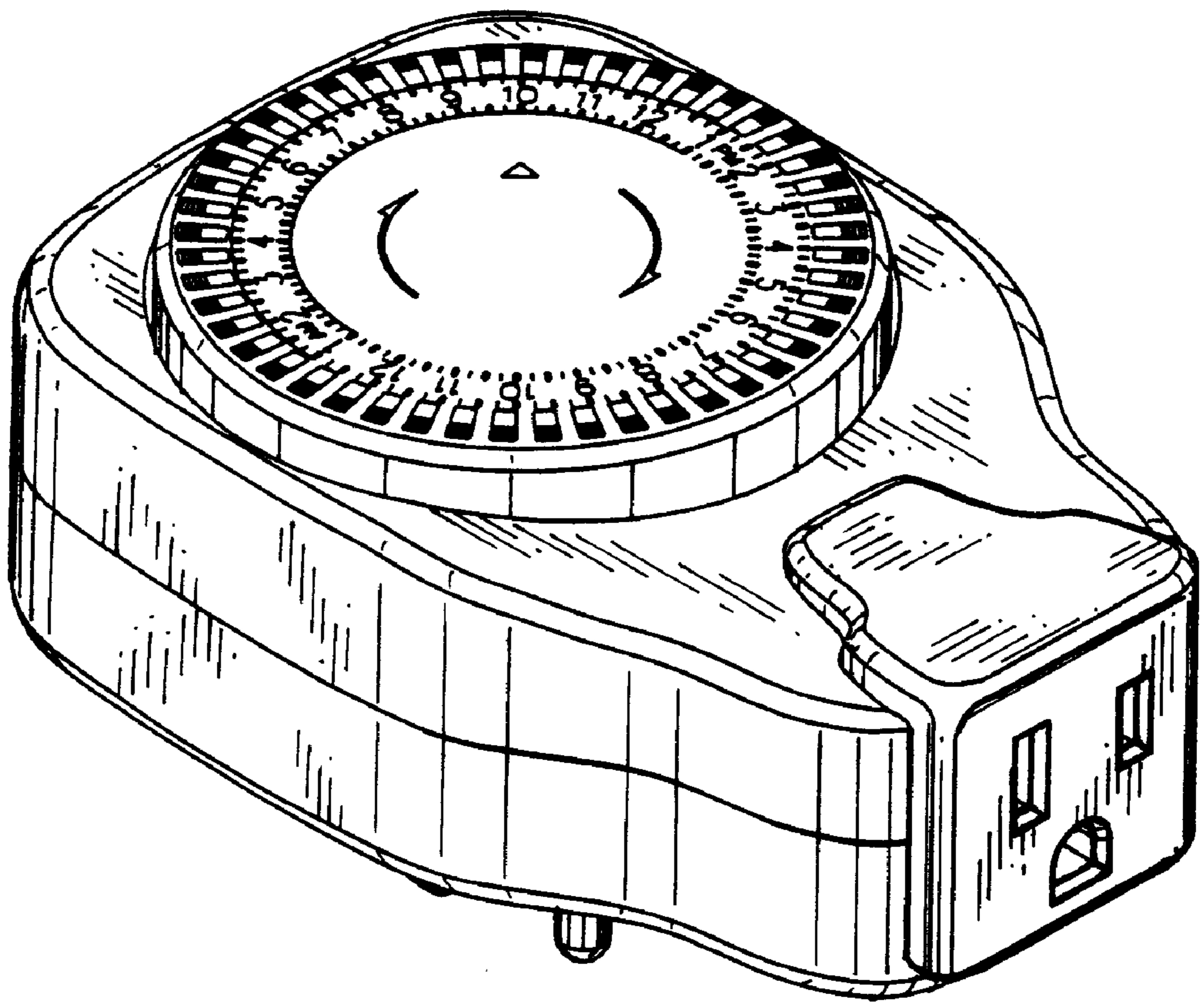


FIG. 7