



US00D432029S

United States Patent [19] Stekelenburg

[11] Patent Number: Des. 432,029

[45] Date of Patent: ** Oct. 17, 2000

[54] **TIMER**

[75] Inventor: **Albert Stekelenburg**, Taipei, Taiwan

[73] Assignee: **Grasslin Far East Corporation**, Taipei, Taiwan

[**] Term: **14 Years**

[21] Appl. No.: **29/114,157**

[22] Filed: **Nov. 19, 1999**

[51] **LOC (7) Cl.** **10-03**

[52] **U.S. Cl.** **D10/40**

[58] **Field of Search** D10/1-40, 122-132, D10/75; 200/38 R; 307/140 R, 141 R, 141.4; 368/97-100, 107-109, 121, 246

[56] **References Cited**

U.S. PATENT DOCUMENTS

D. 265,553	7/1982	Joss et al.	D10/40
D. 296,878	7/1988	Rakocy	D10/40
D. 352,472	11/1994	Chen	D10/40
D. 352,667	11/1994	Chen	D10/40
D. 389,073	1/1998	Schmidt et al.	D10/40

D. 389,753	1/1998	Wan	D10/40
D. 402,902	12/1998	Chen	D10/40
D. 402,903	12/1998	Chen	D10/40

OTHER PUBLICATIONS

Grasslin Cat.94/95-p. 12-dig. timer at top.

Primary Examiner—Nelson C. Holtje
Attorney, Agent, or Firm—Dougherty & Troxell

[57] **CLAIM**

The ornamental design for a timer, as shown and described.

DESCRIPTION

FIG. 1 is a front view of a timer showing the preferred embodiment of my new design;

FIG. 2 is a right side elevational view thereof; (left side elevational view is symmetrical as right side elevational view).

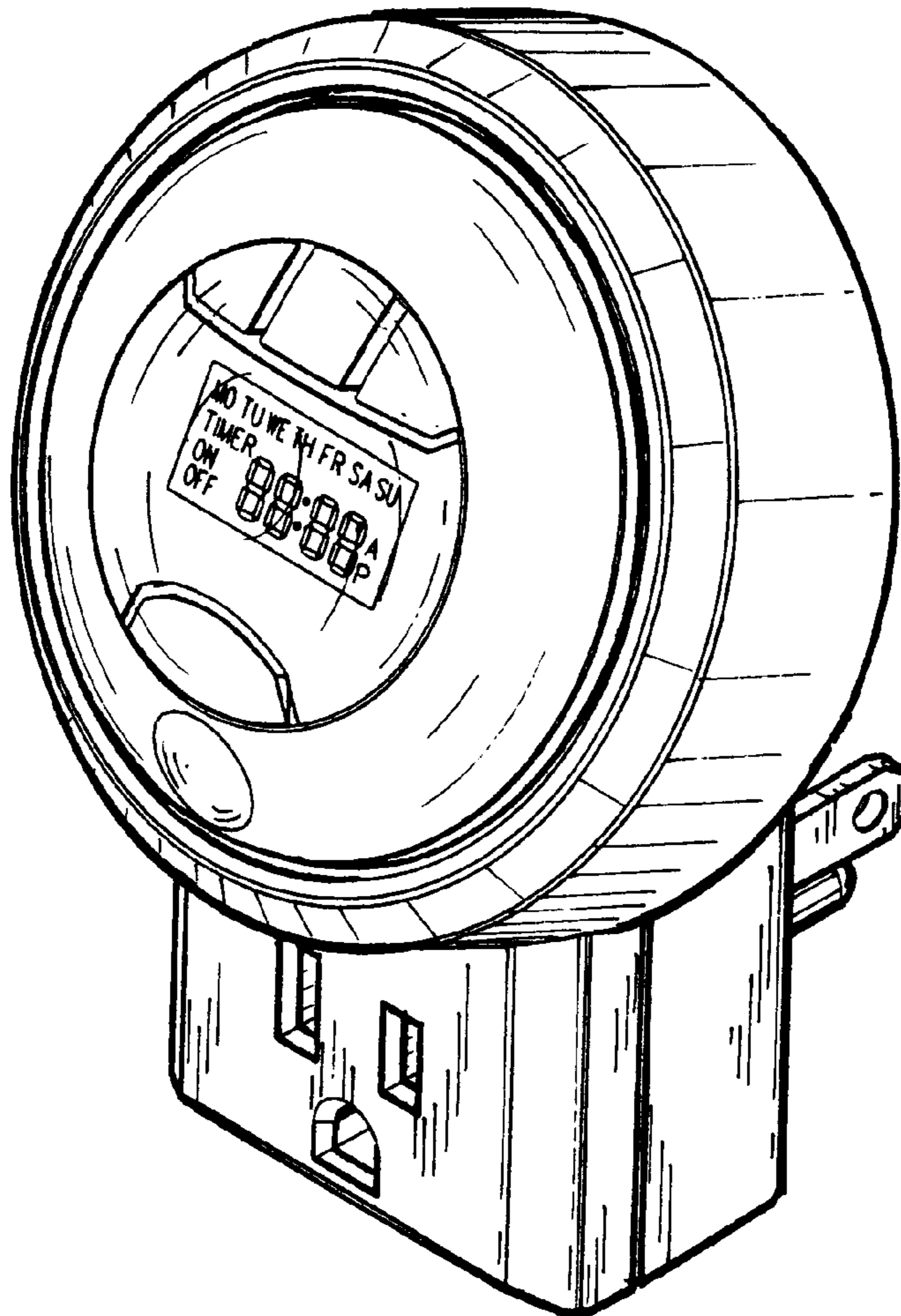
FIG. 3 is a bottom view thereof;

FIG. 4 is a rear view thereof;

FIG. 5 is a top elevational view thereof; and,

FIG. 6 is a perspective view thereof.

1 Claim, 3 Drawing Sheets



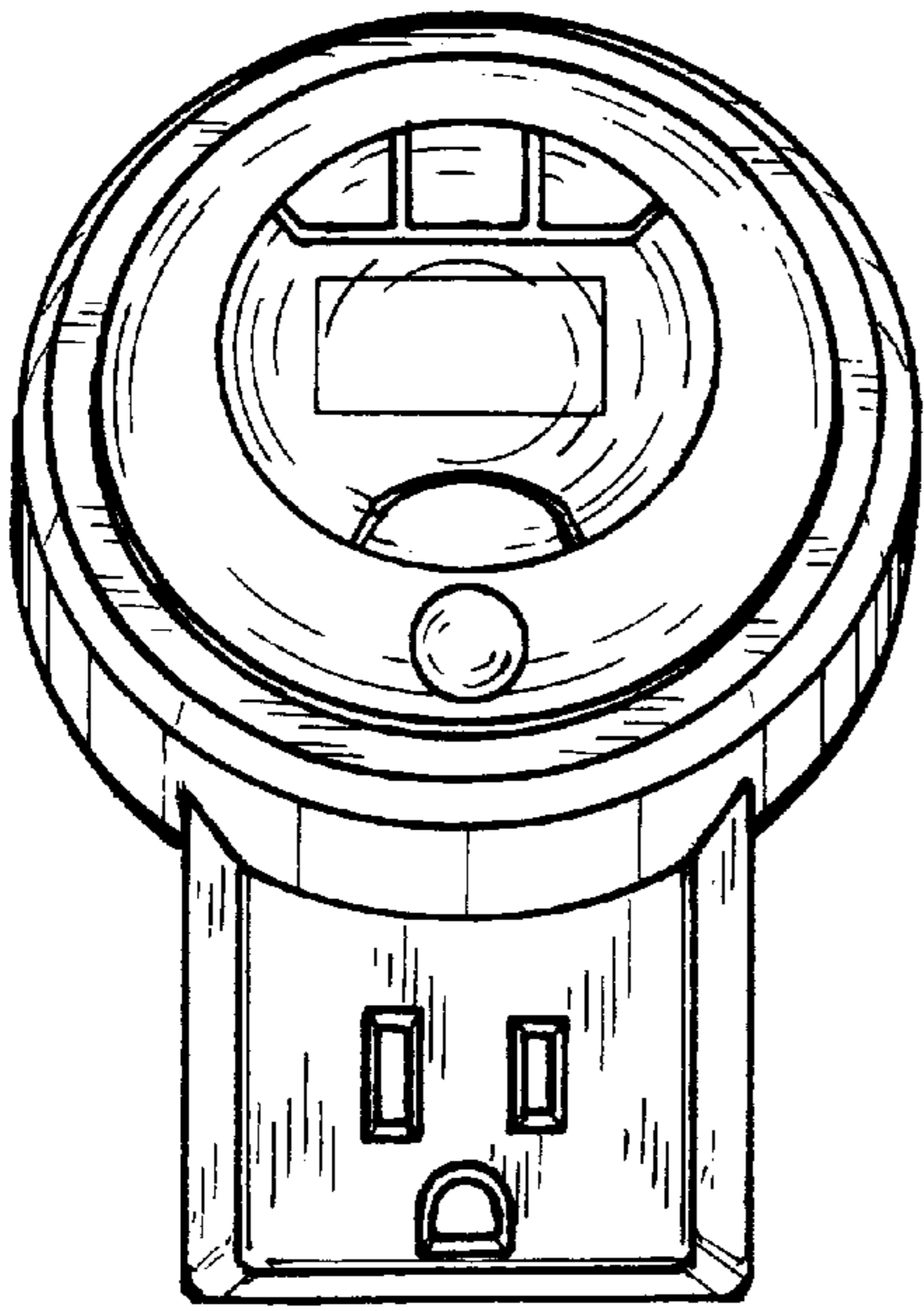


FIG. 1

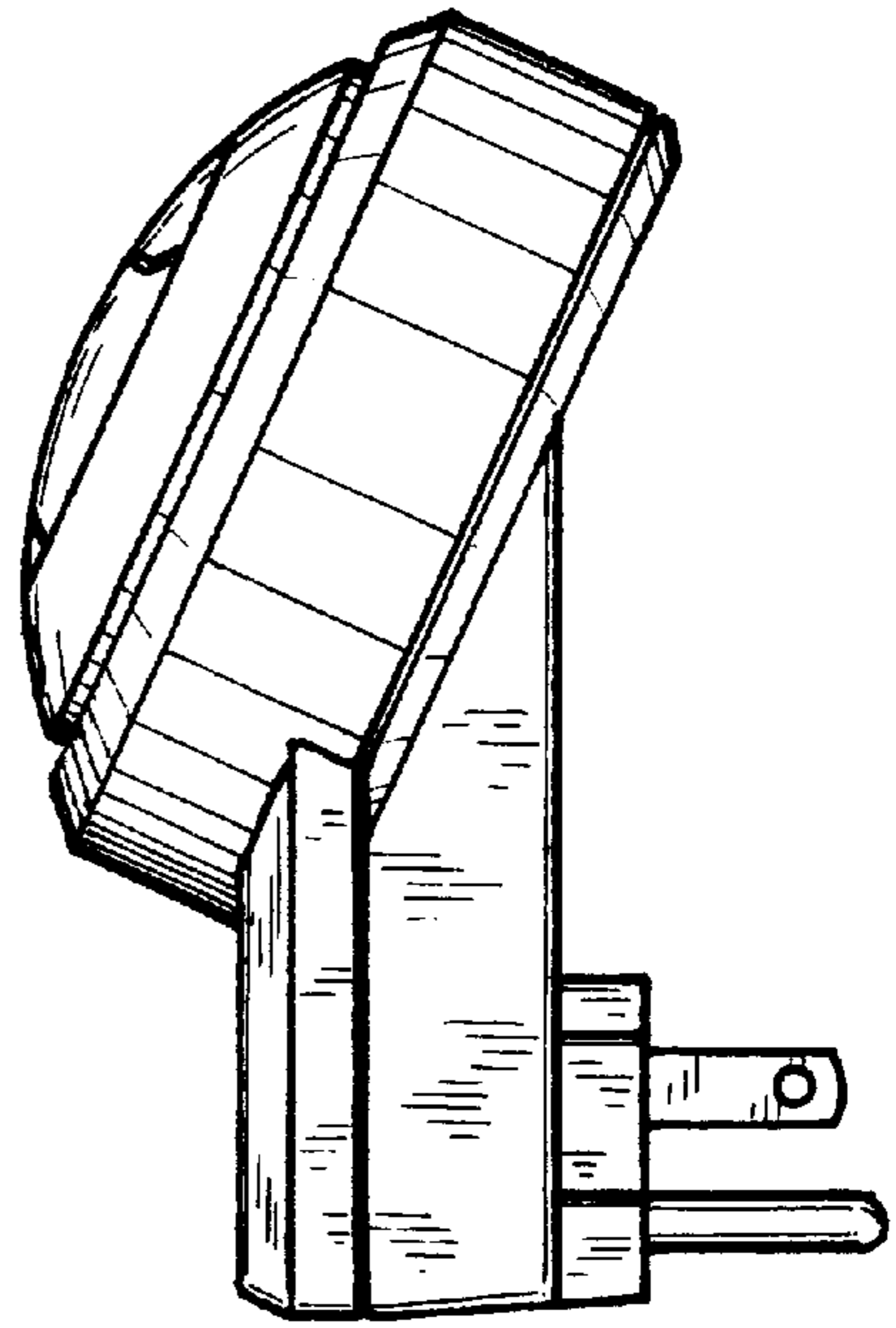


FIG. 2

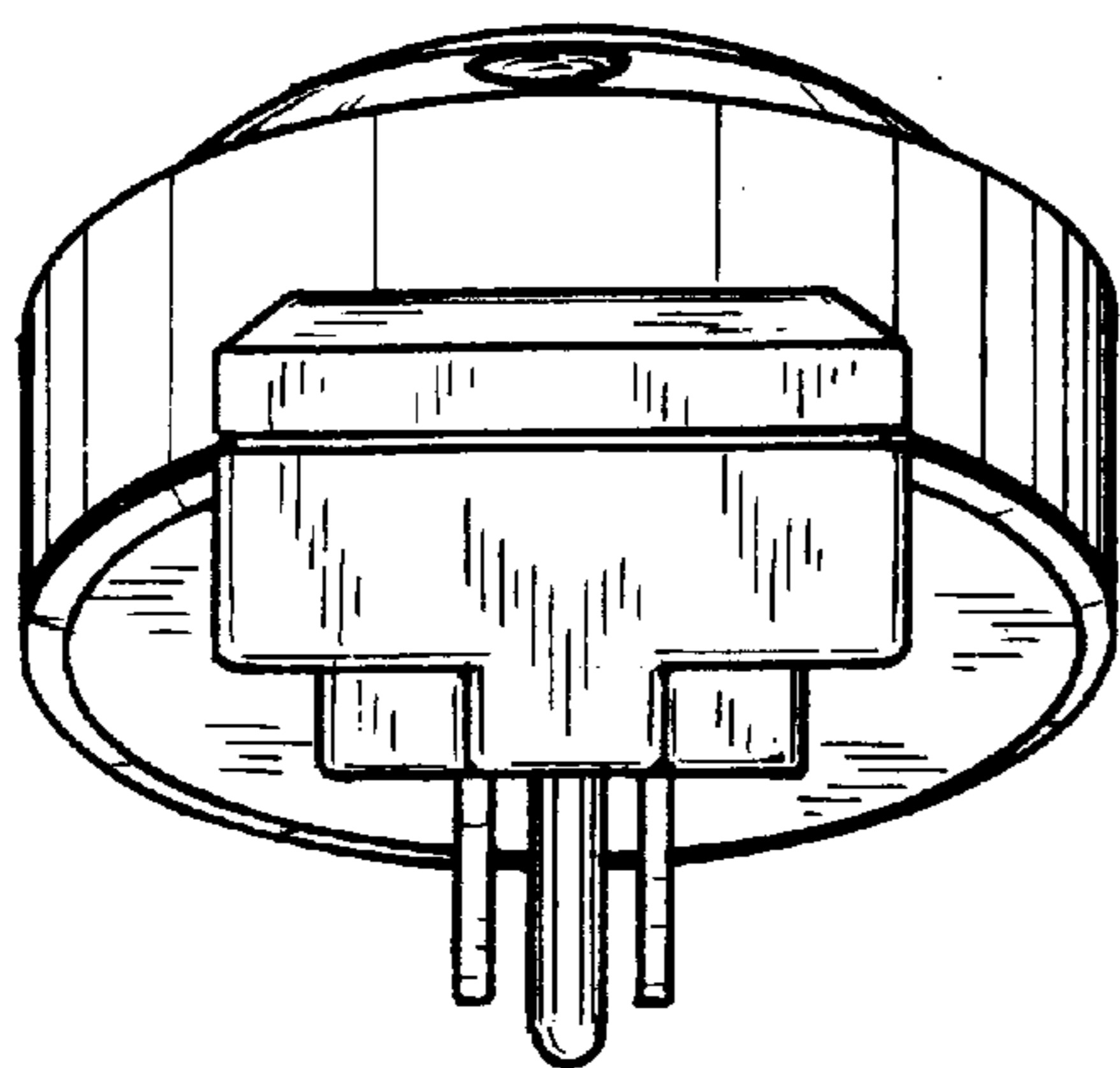


FIG. 3

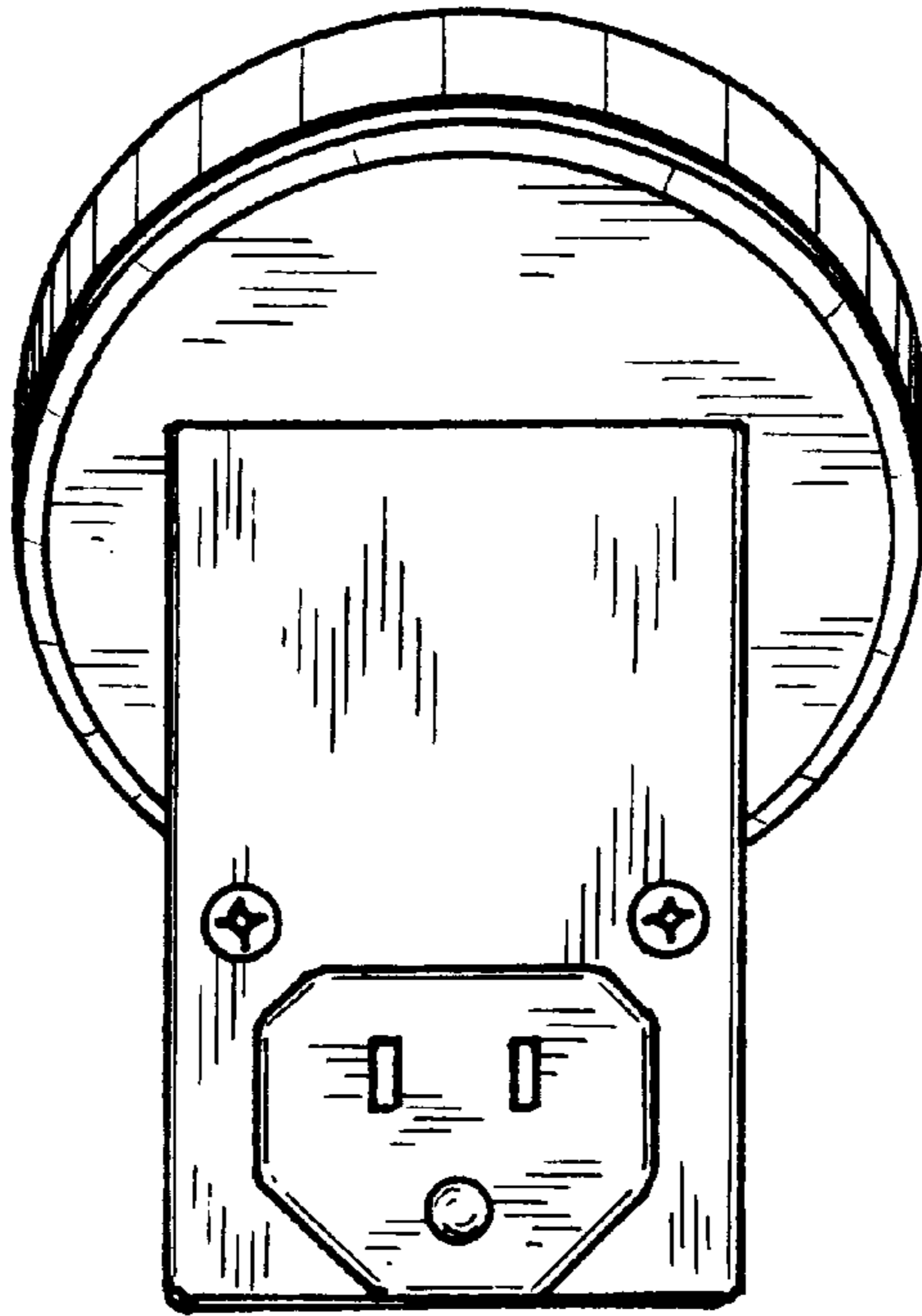


FIG. 4

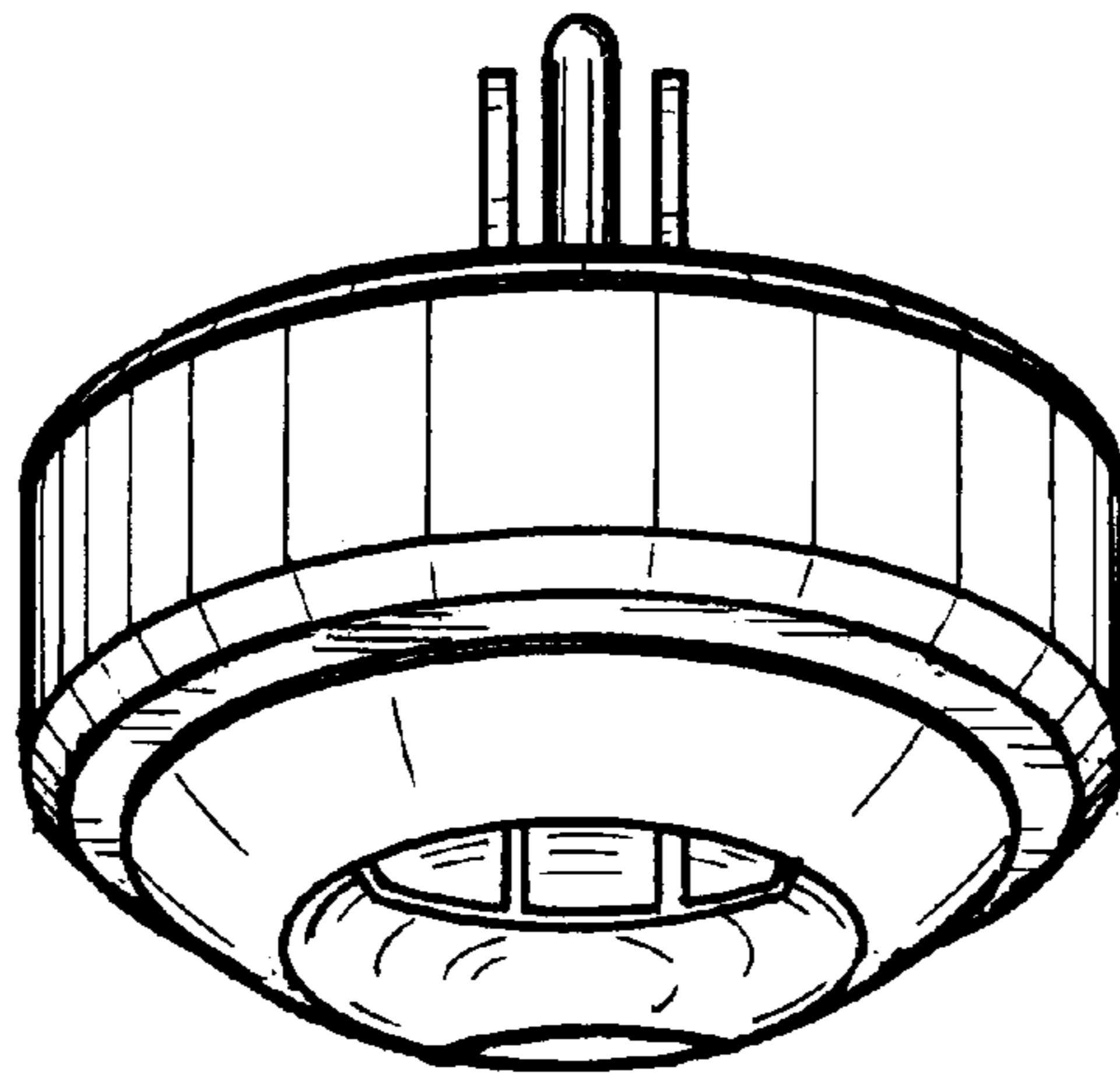


FIG. 5

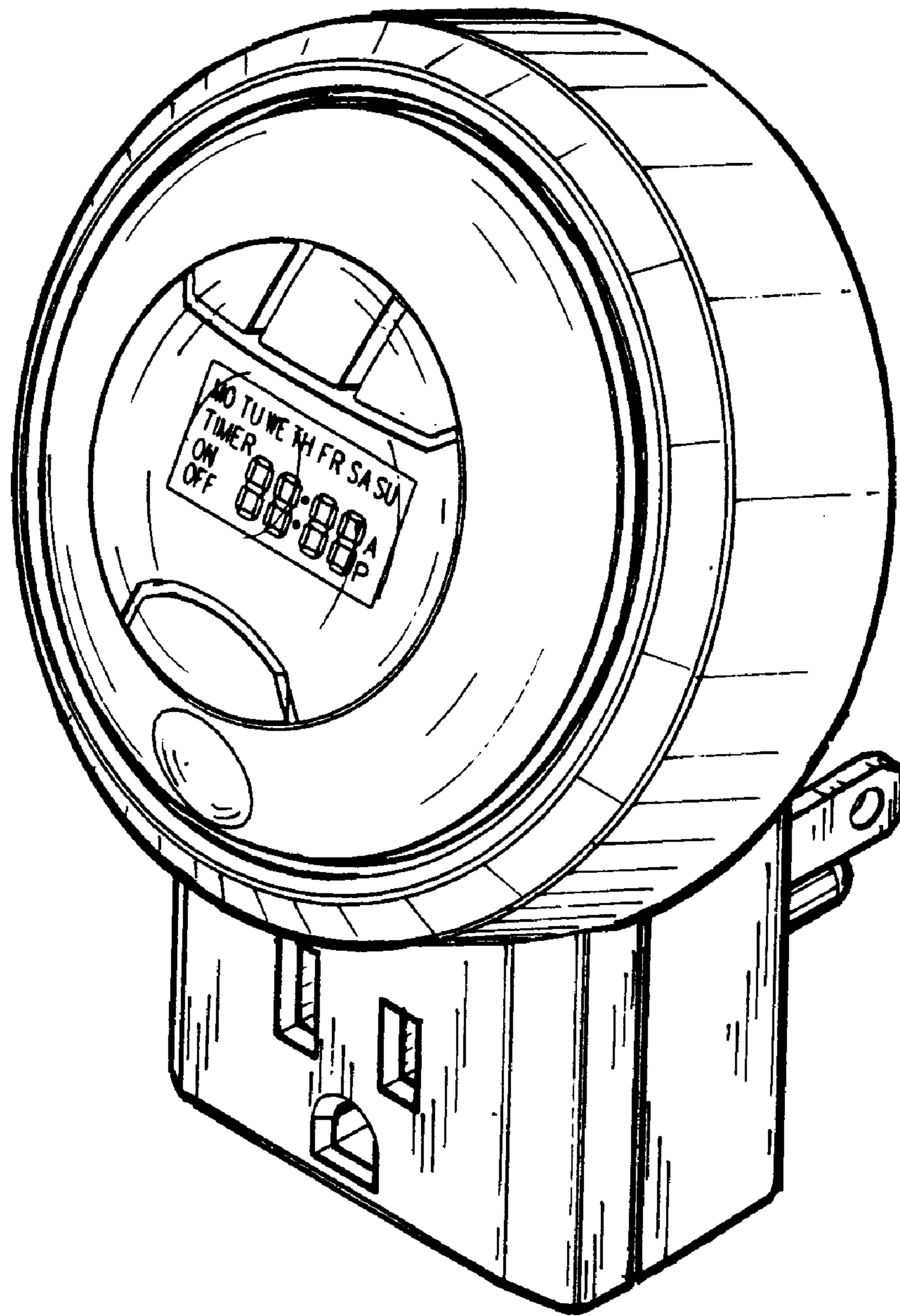


FIG. 6