

US00D432024S

United States Patent [19] Hale

[11] **Patent Number: Des. 432,024**

[45] **Date of Patent: ** Oct. 17, 2000**

[54] **WATCH**

3,830,414 8/1974 Caprielian 224/175
3,901,023 8/1975 Uebelhardt 368/281

[76] **Inventor: George Ray Hale, 241 N. Vine St.
#703E, Salt Lake City, Utah 84103**

Primary Examiner—Nelson C. Holtje

[**] **Term: 14 Years**

[57] **CLAIM**

The ornamental design for a watch, as shown and described.

[21] **Appl. No.: 29/111,384**

[22] **Filed: Sep. 24, 1999**

DESCRIPTION

[51] **LOC (7) Cl. 10-02**

[52] **U.S. Cl. D10/30; D10/39**

[58] **Field of Search D10/1-40, 122-132;
368/280-282, 276-277, 285**

FIG. 1 is a front elevational view of the watch of the present invention;

FIG. 2 is a rear elevational view of the watch of FIG. 1;

FIG. 3 is a left side elevational view of the watch of FIG. 1;

FIG. 4 is a right side elevational view of the watch of FIG. 1;

FIG. 5 is a top plan view of the watch of FIG. 1; and,

FIG. 6 is a bottom plan view of the watch of FIG. 1.

The broken lines showing of numbers, watch hands and time increments in FIG. 1 are for illustrative purposes only and form no part of the claimed design.

[56] **References Cited**

U.S. PATENT DOCUMENTS

D. 361,529	8/1995	Sakai et al.	D10/39
D. 379,067	5/1997	Greene et al.	D10/32
D. 410,199	5/1999	Calvani	D10/39
D. 421,916	3/2000	Iwanaga	D10/30
3,162,007	12/1964	Parmentier	63/1.1

1 Claim, 3 Drawing Sheets

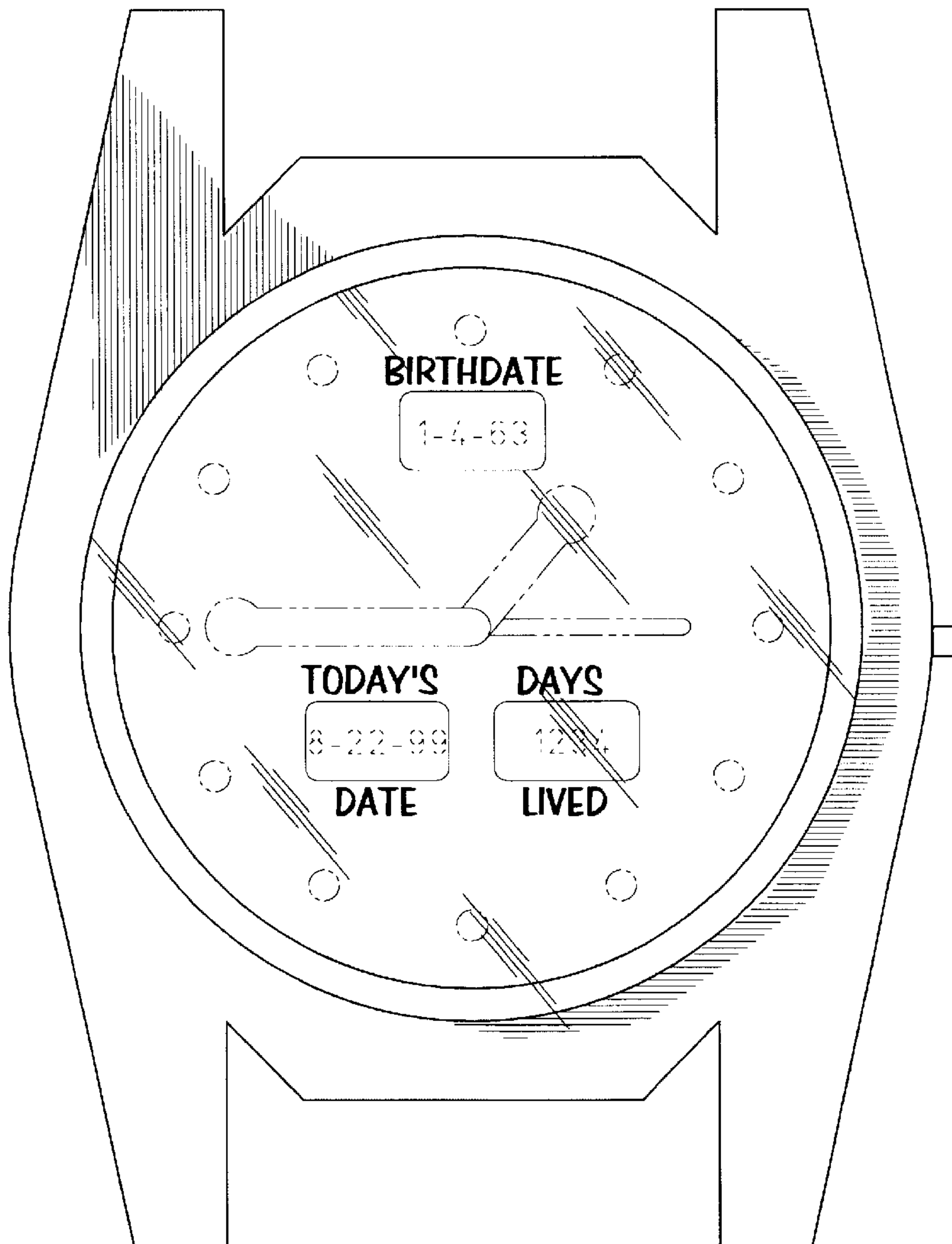


FIG. 1

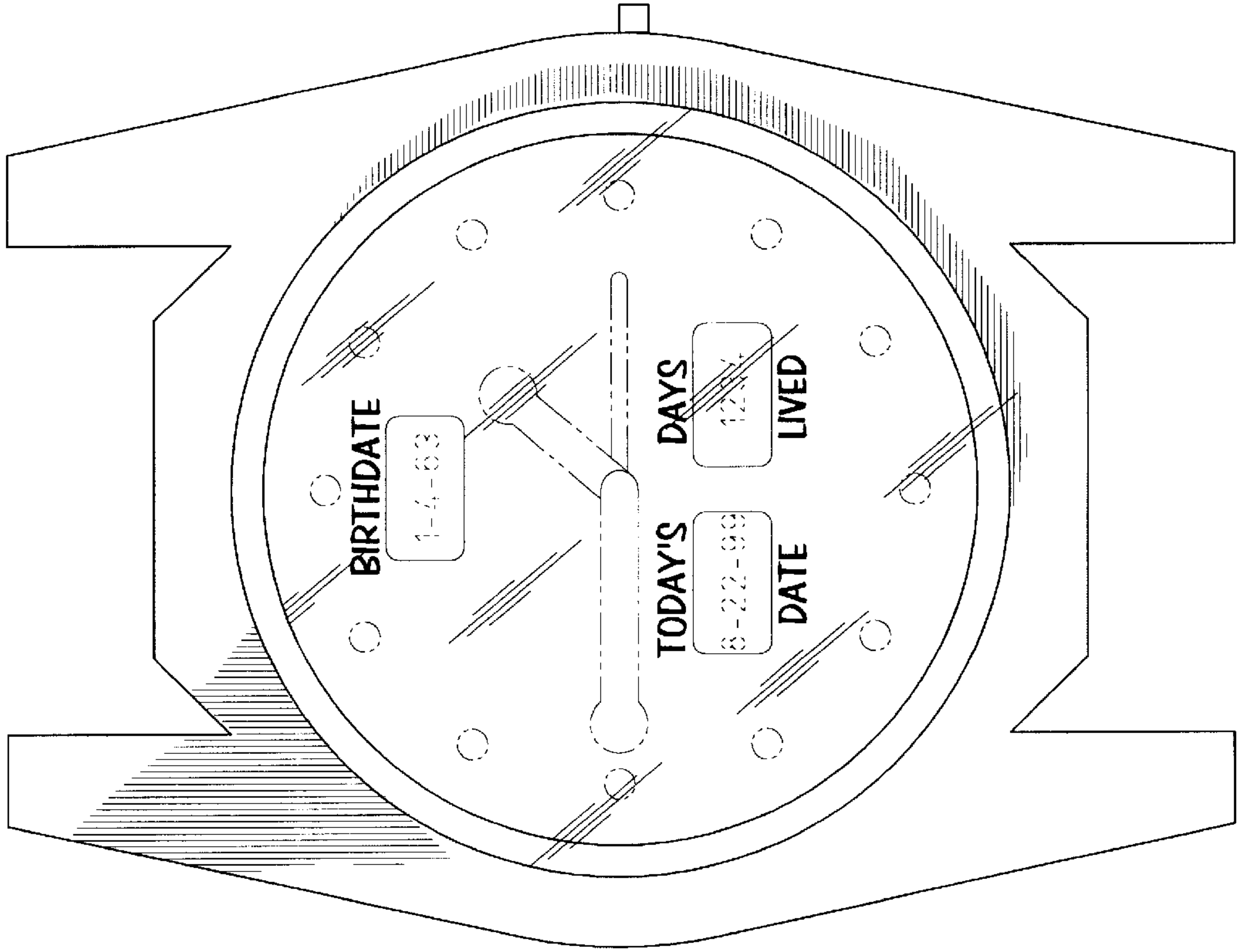


FIG. 3

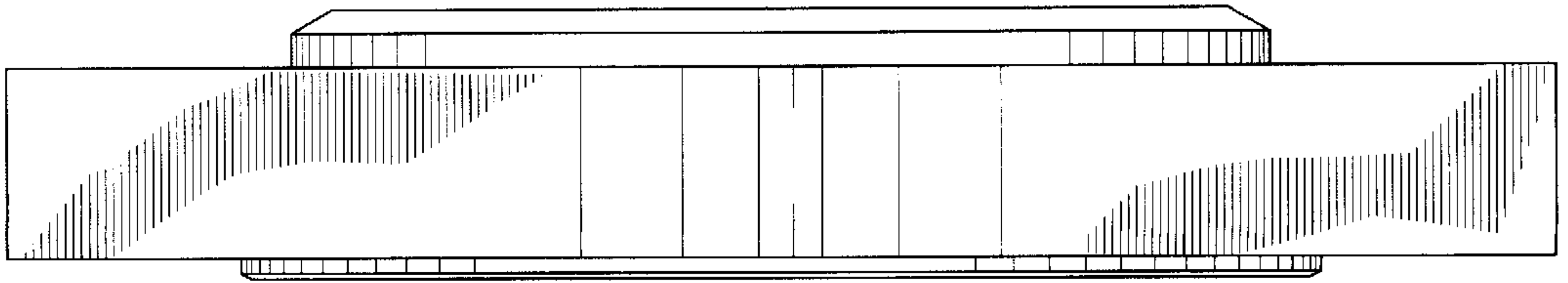


FIG. 4

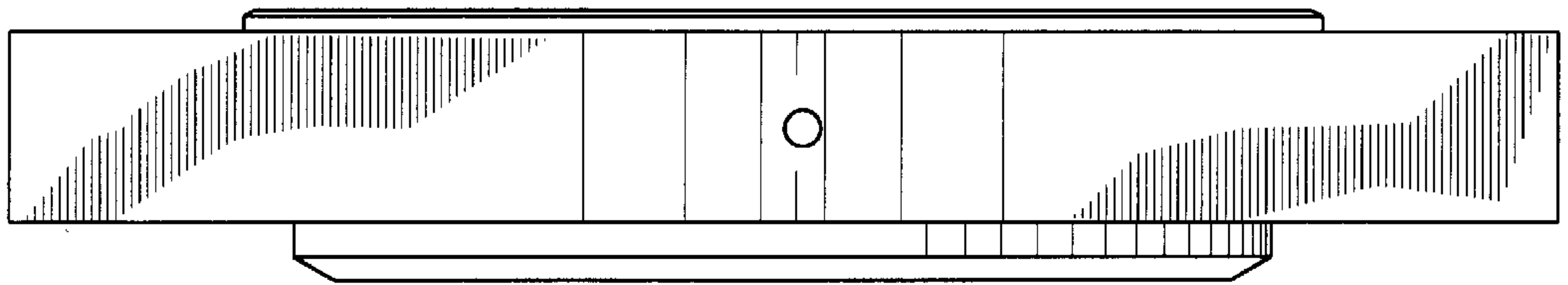


FIG. 2

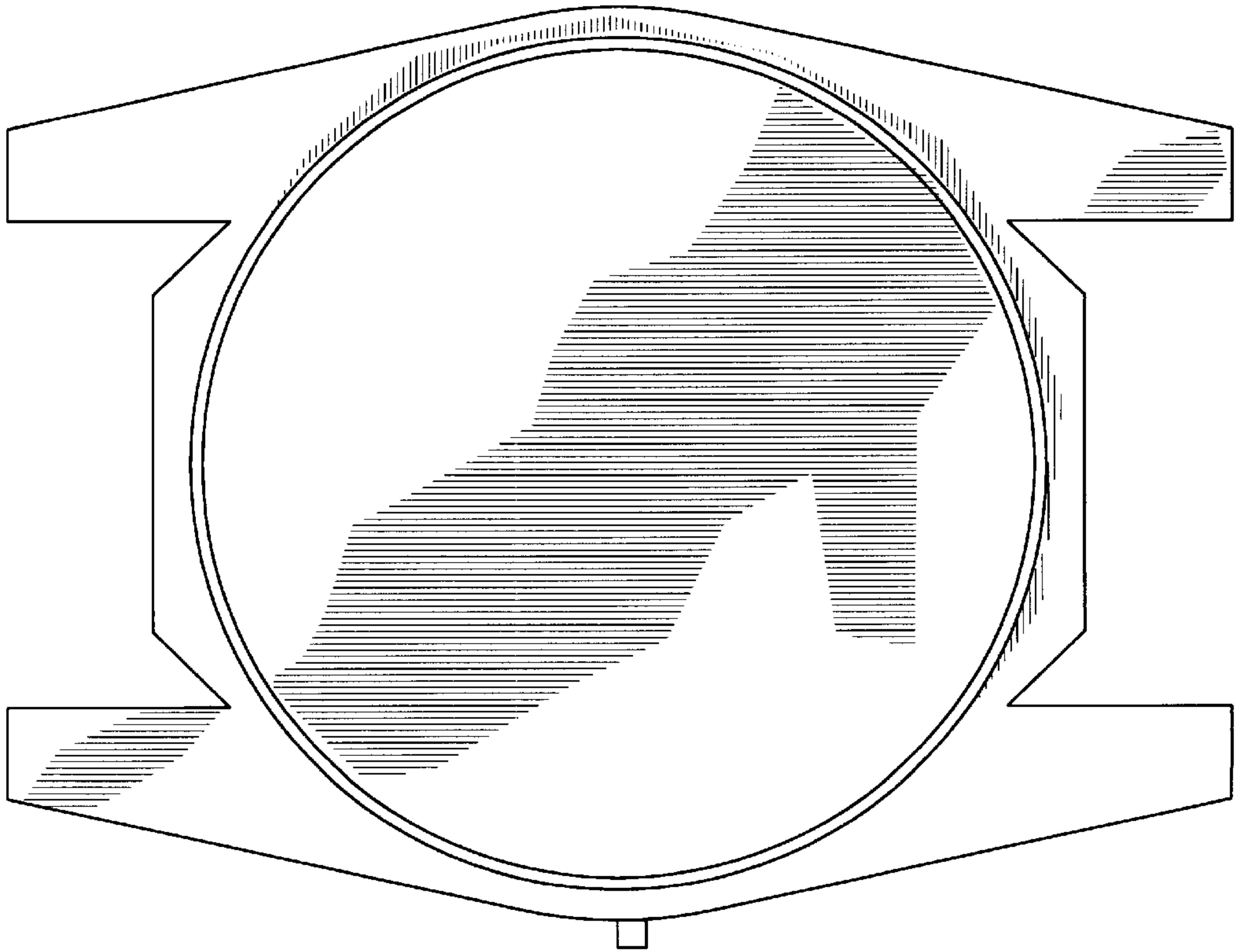


FIG. 5

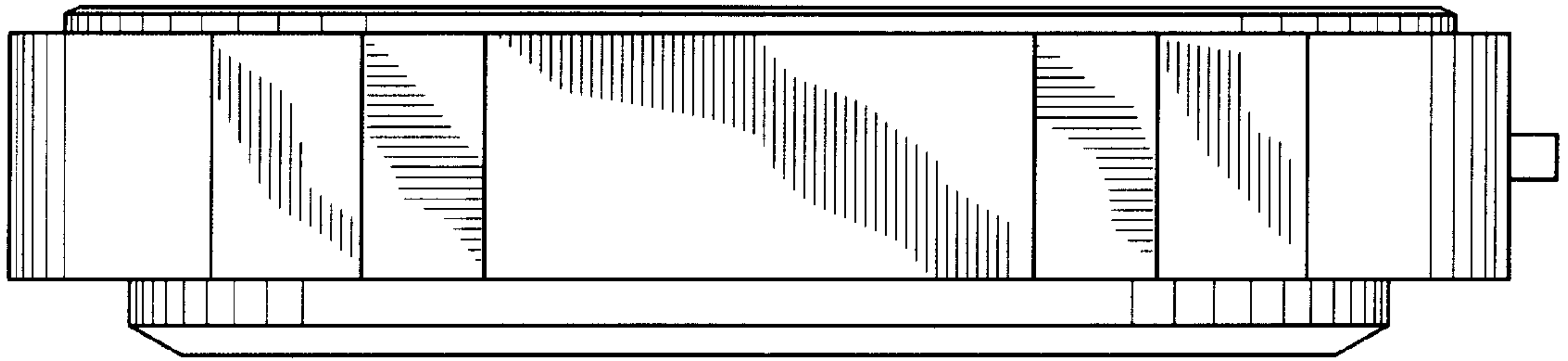


FIG. 6

