



US00D432017S

United States Patent [19]

Alvarado

[11] **Patent Number: Des. 432,017**

[45] **Date of Patent: ** Oct. 17, 2000**

[54] **COSMETIC JAR**

[75] Inventor: **Jose Enrique Mendoza Alvarado,**
Mexico City, Mexico

[73] Assignee: **Unilever Home & Personal Care USA**
Division of Conopco, Inc., Greenwich,
Conn.

[**] Term: **14 Years**

[21] Appl. No.: **29/111,547**

[22] Filed: **Sep. 30, 1999**

[51] **LOC (7) Cl. 09-01**

[52] **U.S. Cl. D9/529; D28/76; D28/82**

[58] **Field of Search D9/529, 504, 548,**
D9/454, 434; 215/382, 383, 384; D28/76,
82, 91

[56] **References Cited**

U.S. PATENT DOCUMENTS

D. 275,733	10/1984	Pardo	D9/504
D. 303,584	9/1989	Bakic	D9/504
D. 350,192	8/1994	Patel et al.	D9/504
D. 398,079	9/1998	Denison	D28/82

D. 402,412	12/1998	Thorpe	D28/901
D. 403,589	1/1999	Wong	D9/529
D. 408,590	4/1999	Litton	D28/91

OTHER PUBLICATIONS

Beauty Fasion, Oct., 1979, p. 19, 'Stendhal' jar.
Drug and Cosmetic Industry, Jul. 1982, p. 53, "Domed
Hendon" jar by Braun.

Primary Examiner—Lucy Lieberman
Attorney, Agent, or Firm—Rimma Mitelman

[57] **CLAIM**

The ornamental design for a cosmetic jar, as shown and
described.

DESCRIPTION

FIG. 1 is a front perspective of my new design;
FIG. 2 is a front view thereof;
FIG. 3 is a rear view thereof;
FIG. 4 is a left side view thereof;
FIG. 5 is a right side view thereof;
FIG. 6 is a top view thereof; and,
FIG. 7 is a bottom view thereof.

1 Claim, 2 Drawing Sheets

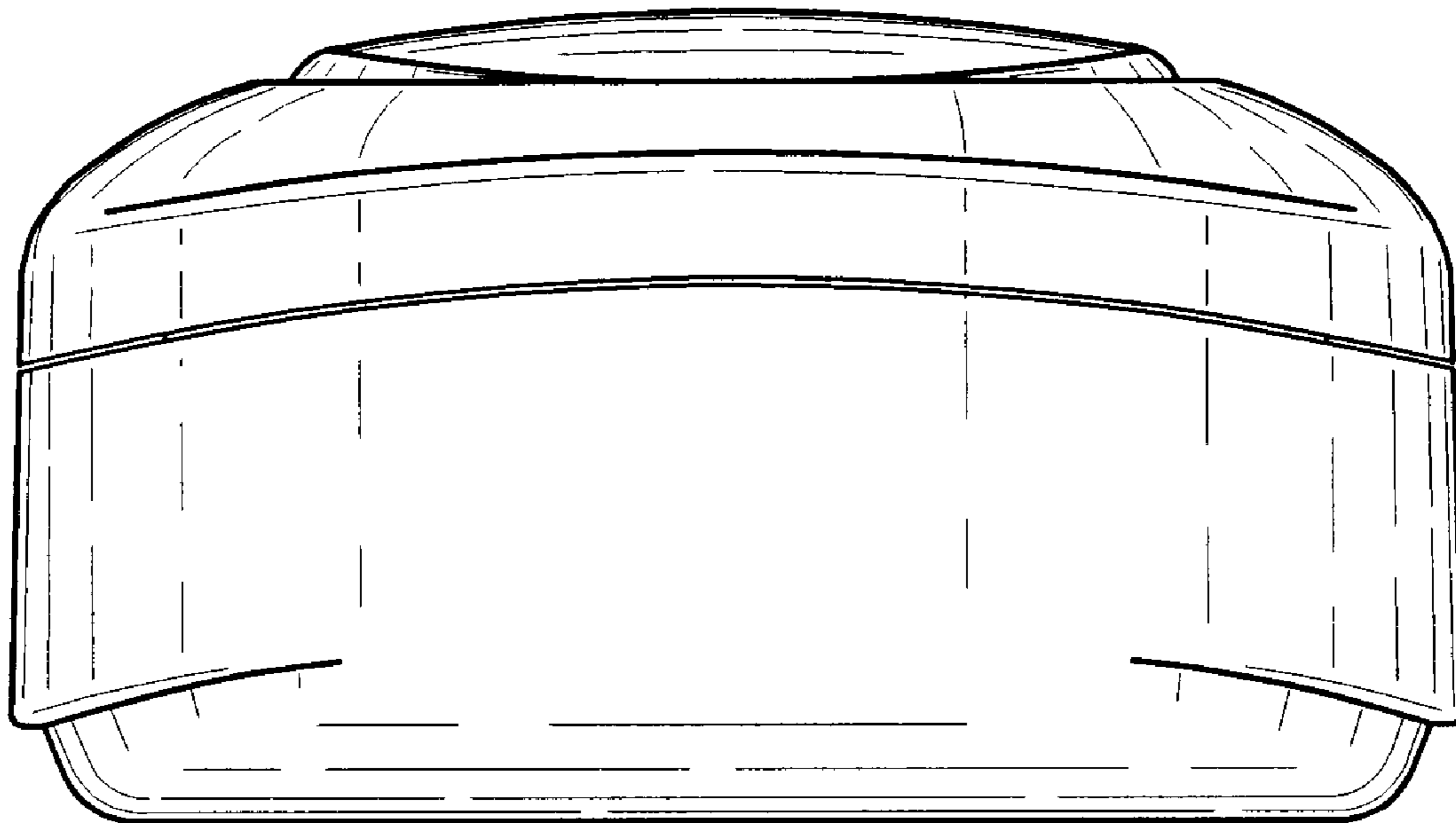


FIG. 1

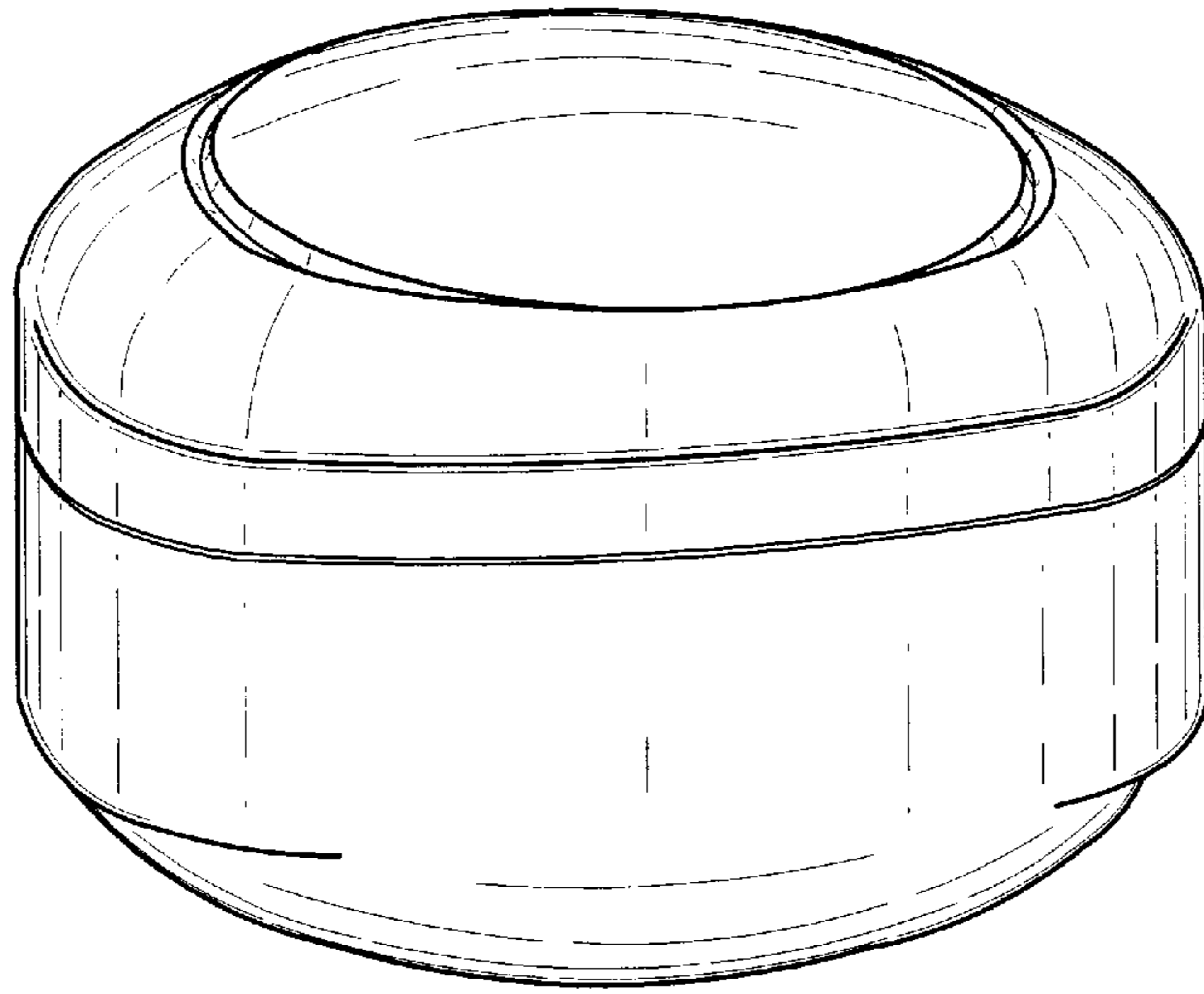


FIG. 2

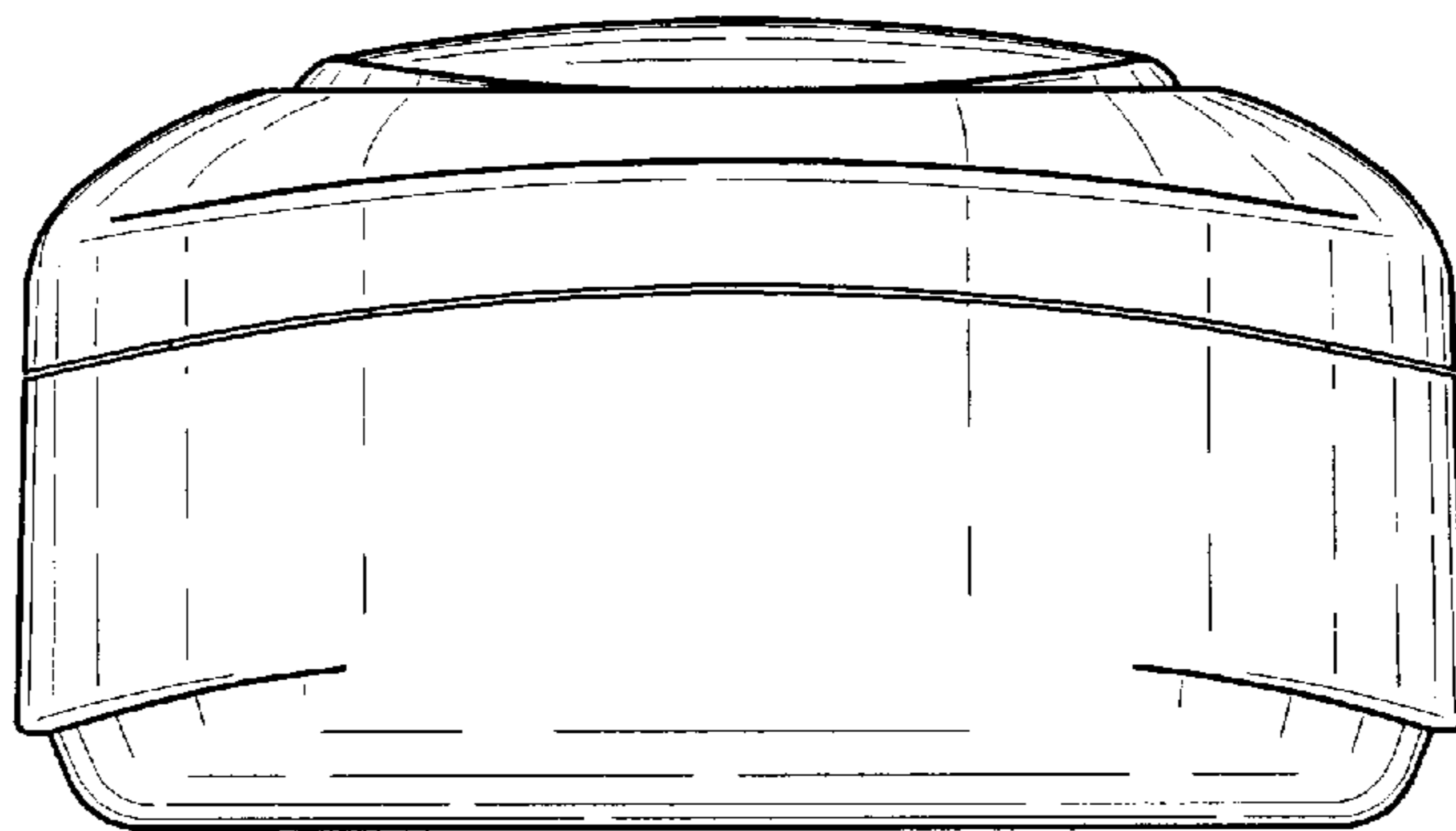


FIG. 3

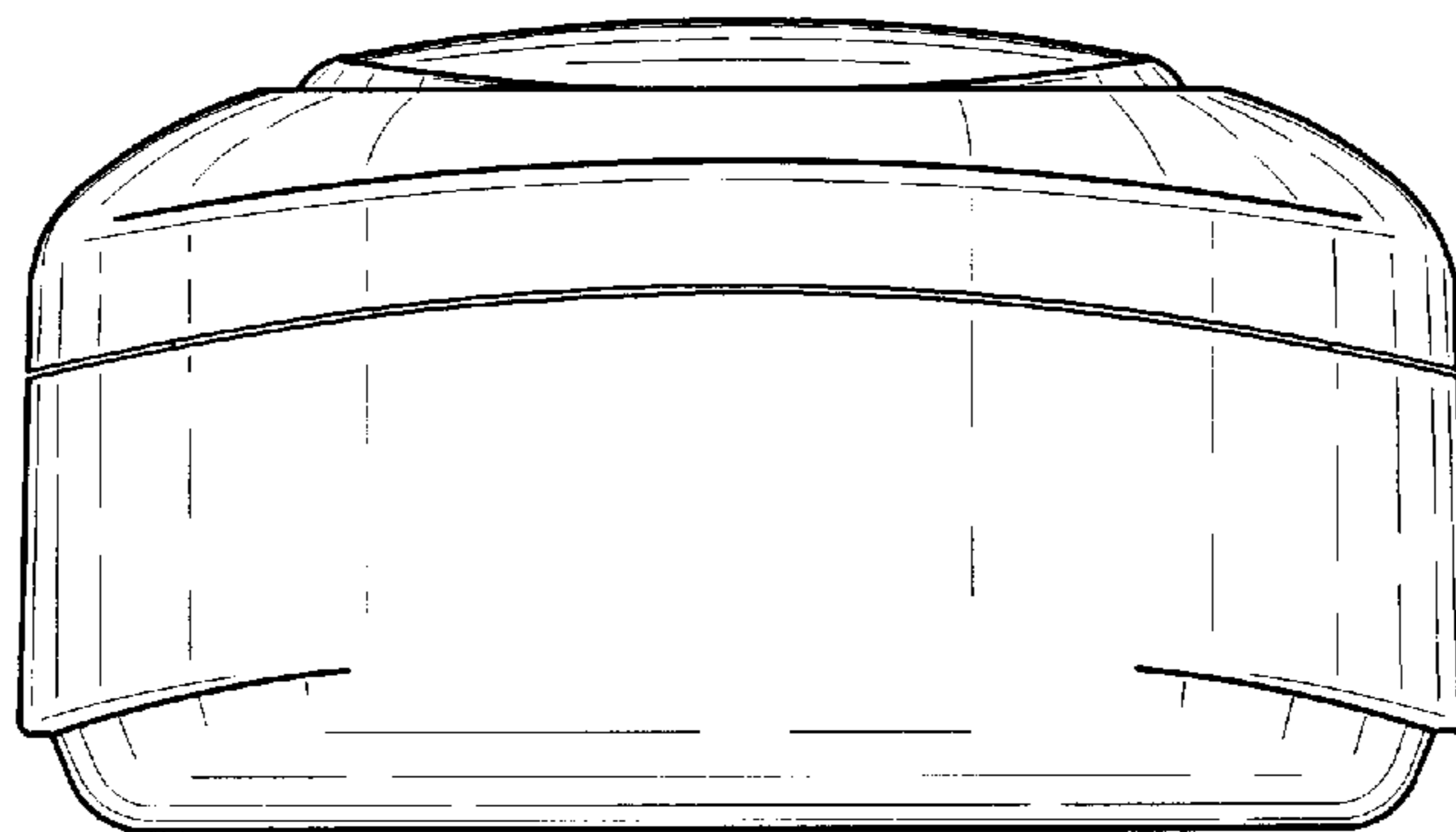


FIG. 4

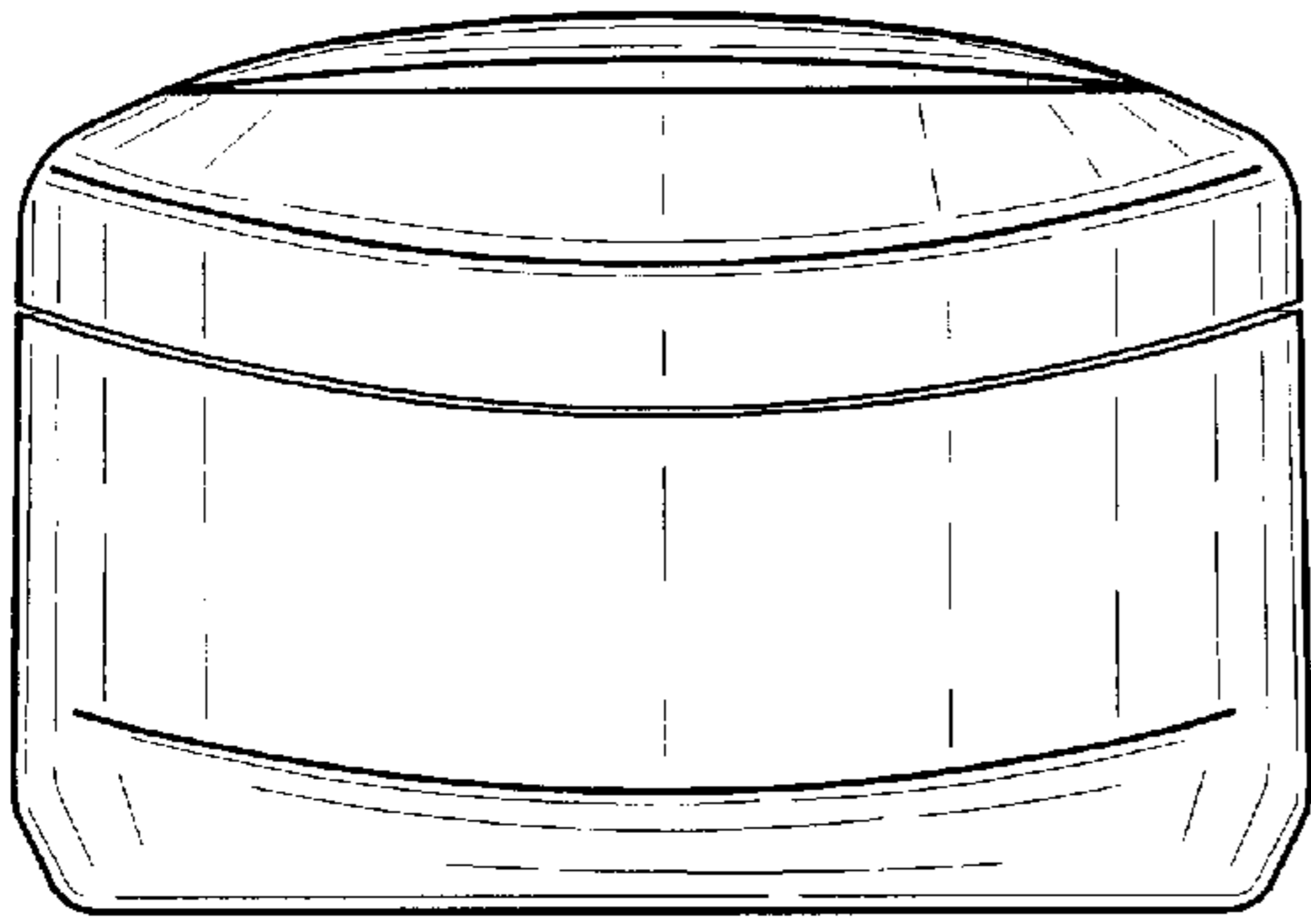


FIG. 5

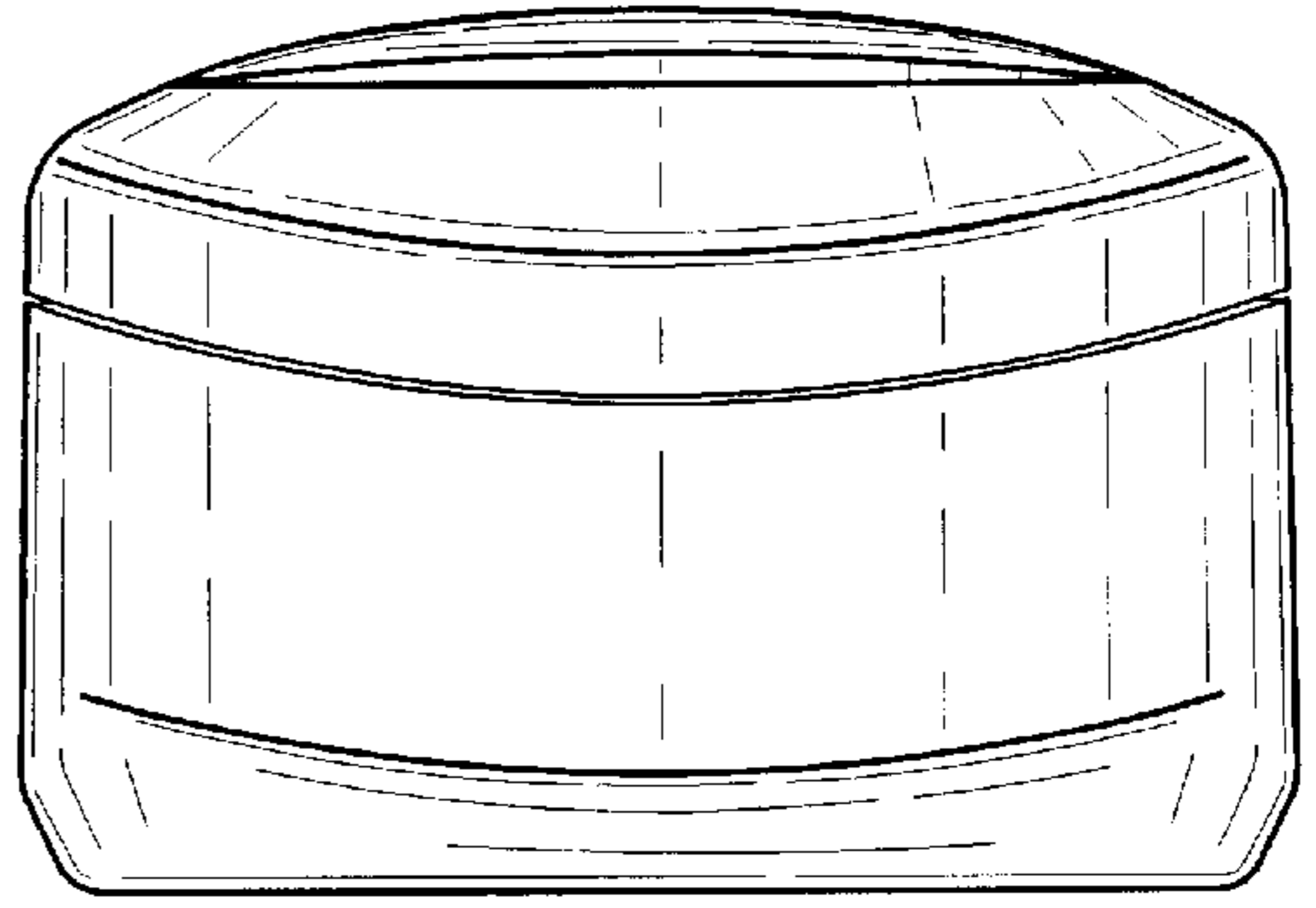


FIG. 6

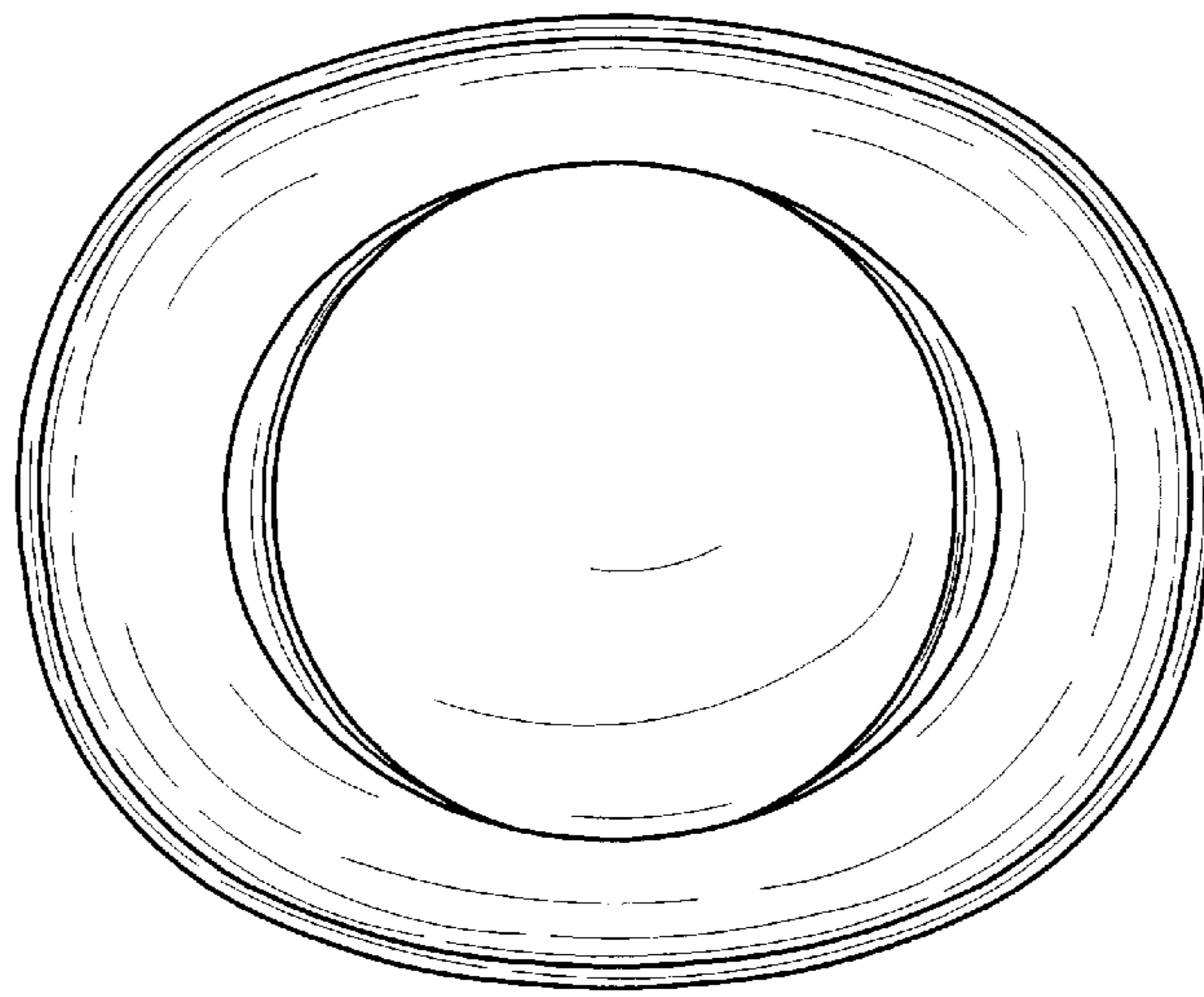


FIG. 7

