



US00D432011S

United States Patent [19]
Millon

[11] **Patent Number: Des. 432,011**

[45] **Date of Patent: ** Oct. 17, 2000**

[54] **PACKET**

[75] Inventor: **Joel Millon**, Westfield, N.J.

[73] Assignee: **Colgate-Palmolive Company**, New York, N.Y.

[**] Term: **14 Years**

[21] Appl. No.: **29/106,556**

[22] Filed: **Jun. 17, 1999**

[51] **LOC (7) Cl.** **09-07**

[52] **U.S. Cl.** **D9/417; D9/430**

[58] **Field of Search** D9/430, 431, 499,
D9/433, 417; 206/436, 457, 458, 822; 229/107,
108, 116, 116.1, 922

[56] **References Cited**

U.S. PATENT DOCUMENTS

D. 192,941 5/1962 Schneider D9/430

D. 199,935 12/1964 Dykes et al. 229/116 X
3,347,363 10/1967 Dykes et al. 206/436
3,420,366 1/1969 Doyle 206/436
3,612,133 10/1971 Jarund 229/116
3,923,238 12/1975 Thomas 229/116
5,839,590 11/1998 Weiner 229/116

Primary Examiner—Prabhakar Deshmukh
Attorney, Agent, or Firm—Michael McGreal

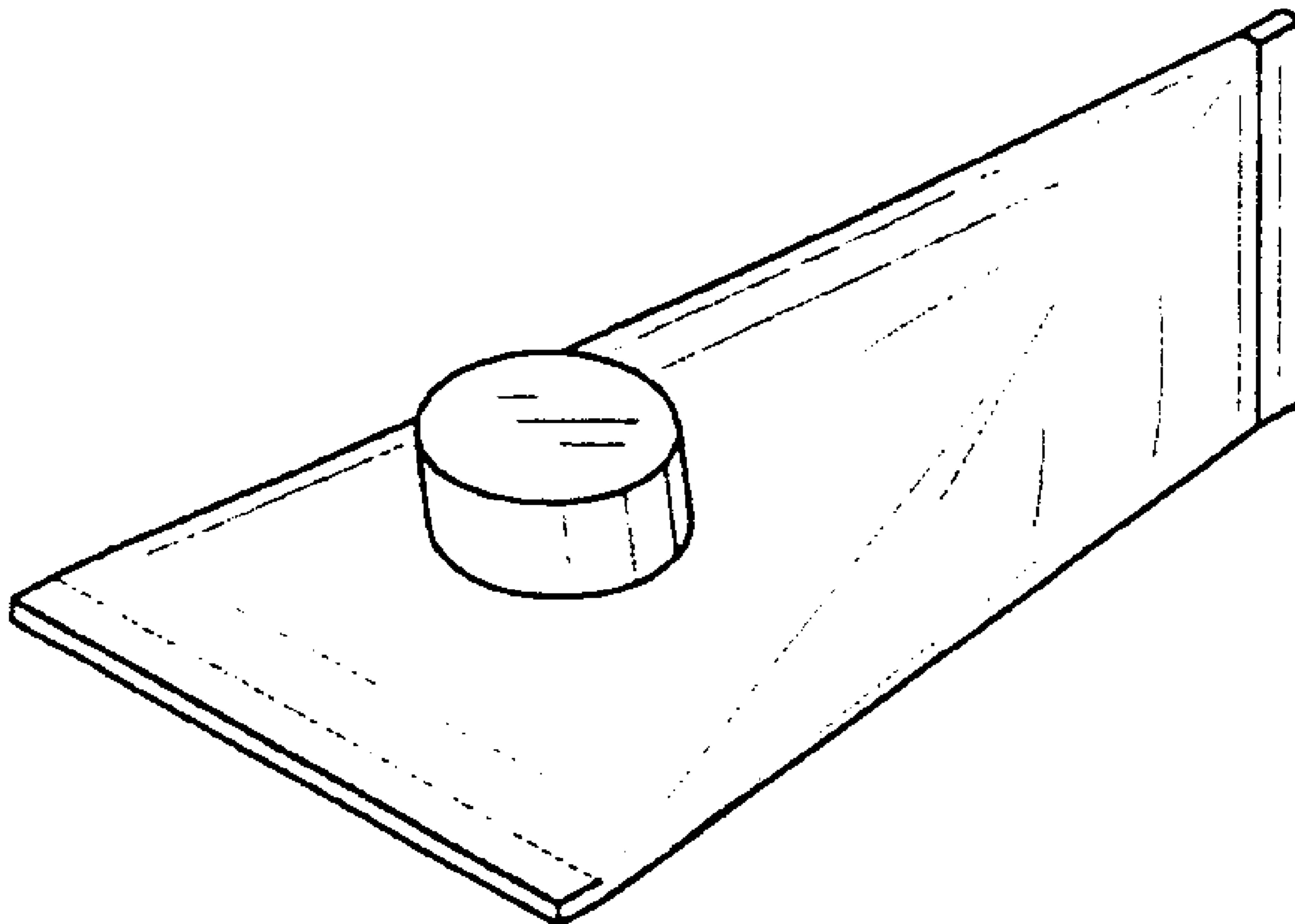
[57] **CLAIM**

The ornamental design for a packet, as shown and described.

DESCRIPTION

FIG. 1 is a perspective view of the packet of my design.
FIG. 2 is a front and rear elevation view thereof.
FIG. 3 is a left side elevation view thereof.
FIG. 4 is a right side elevation view thereof.
FIG. 5 is a top plan view thereof; and,
FIG. 6 is a bottom plan view thereof.

1 Claim, 1 Drawing Sheet



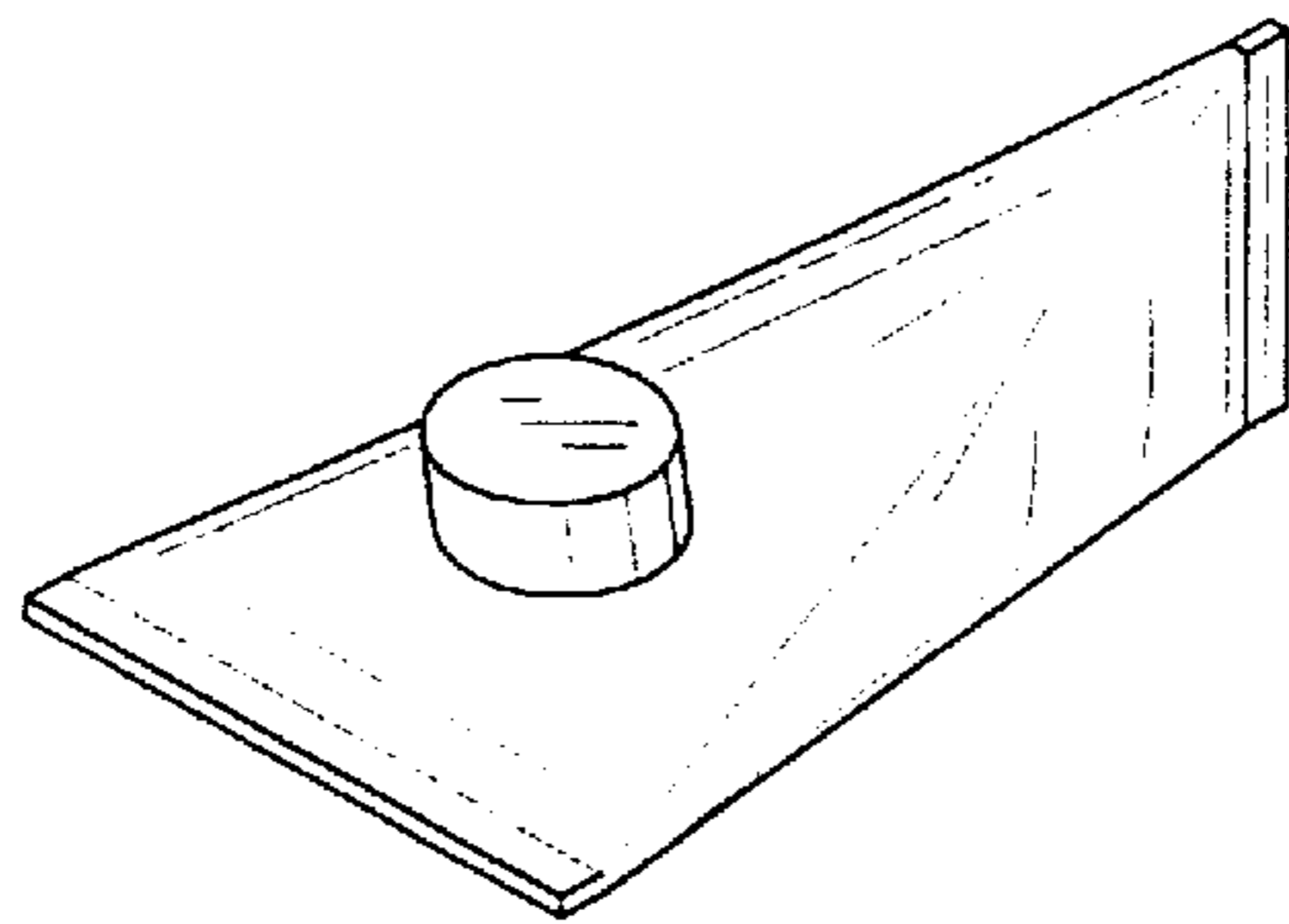


FIG. 1

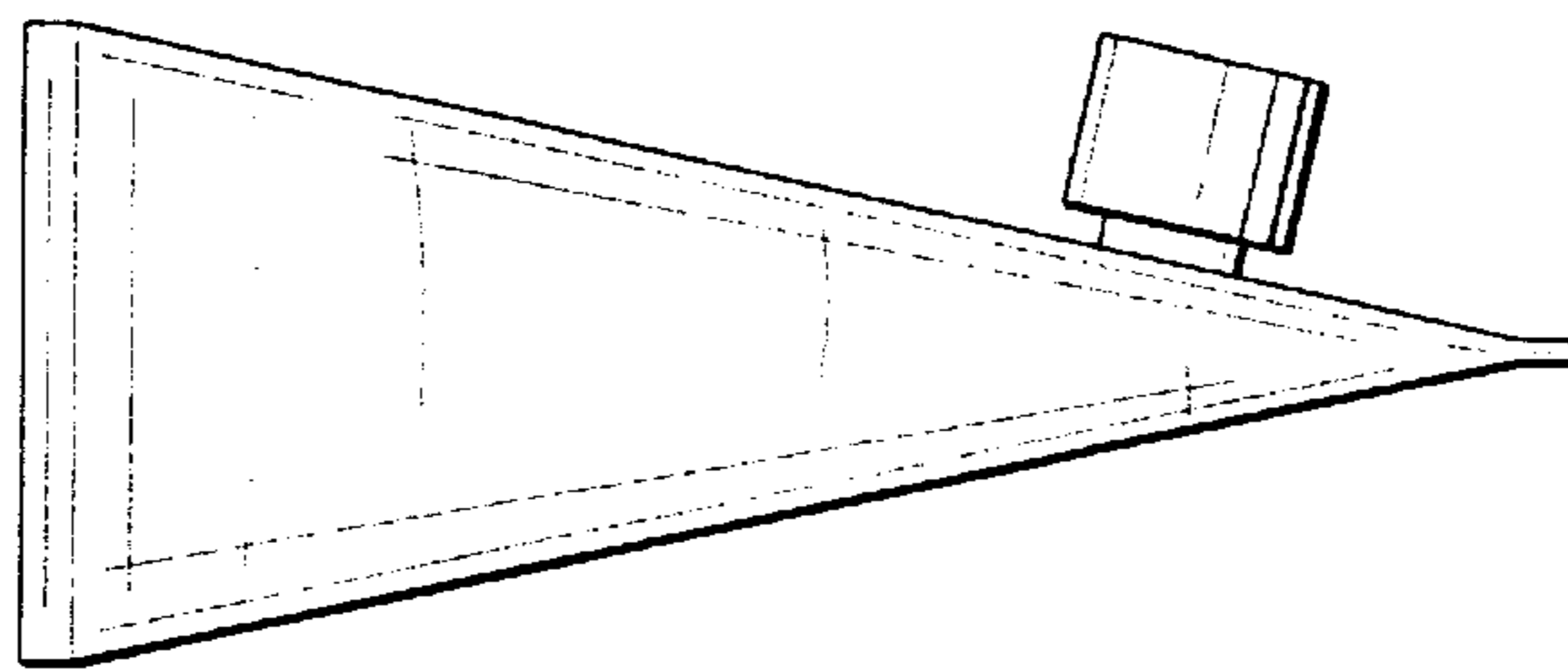


FIG. 2

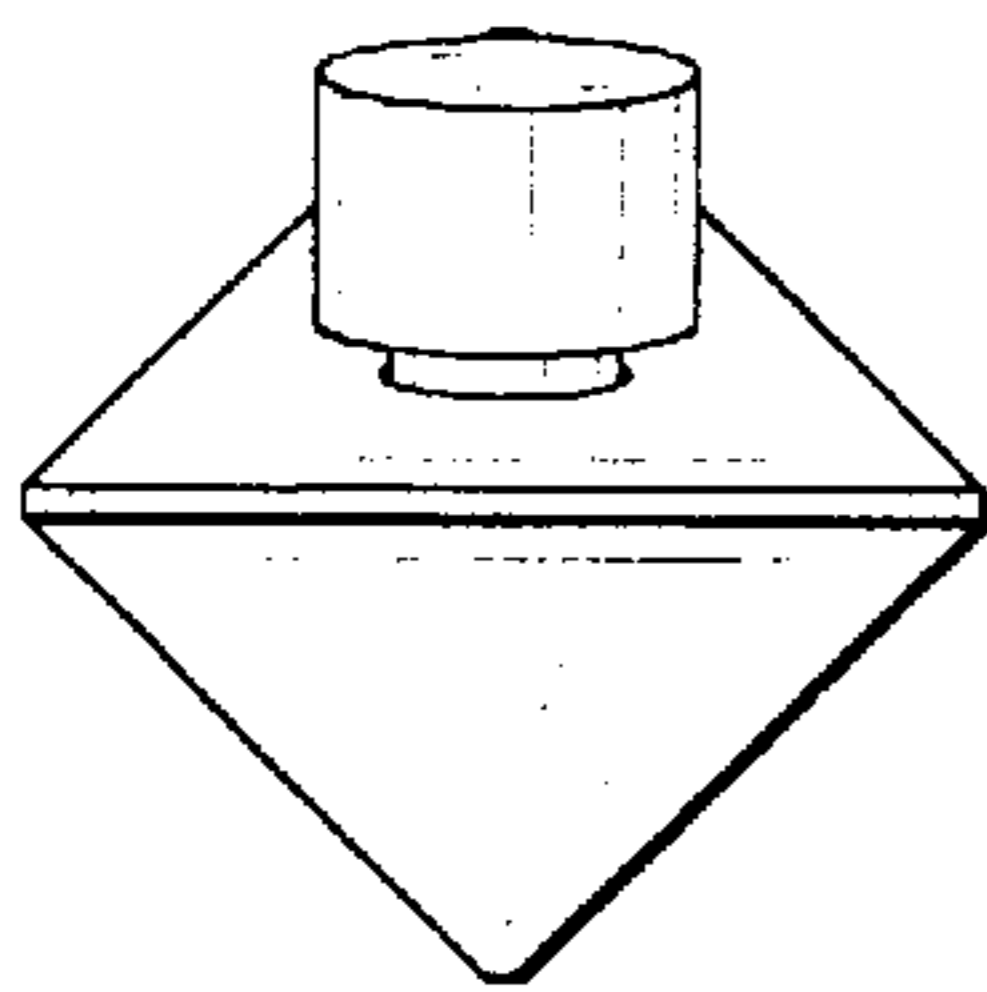


FIG. 3

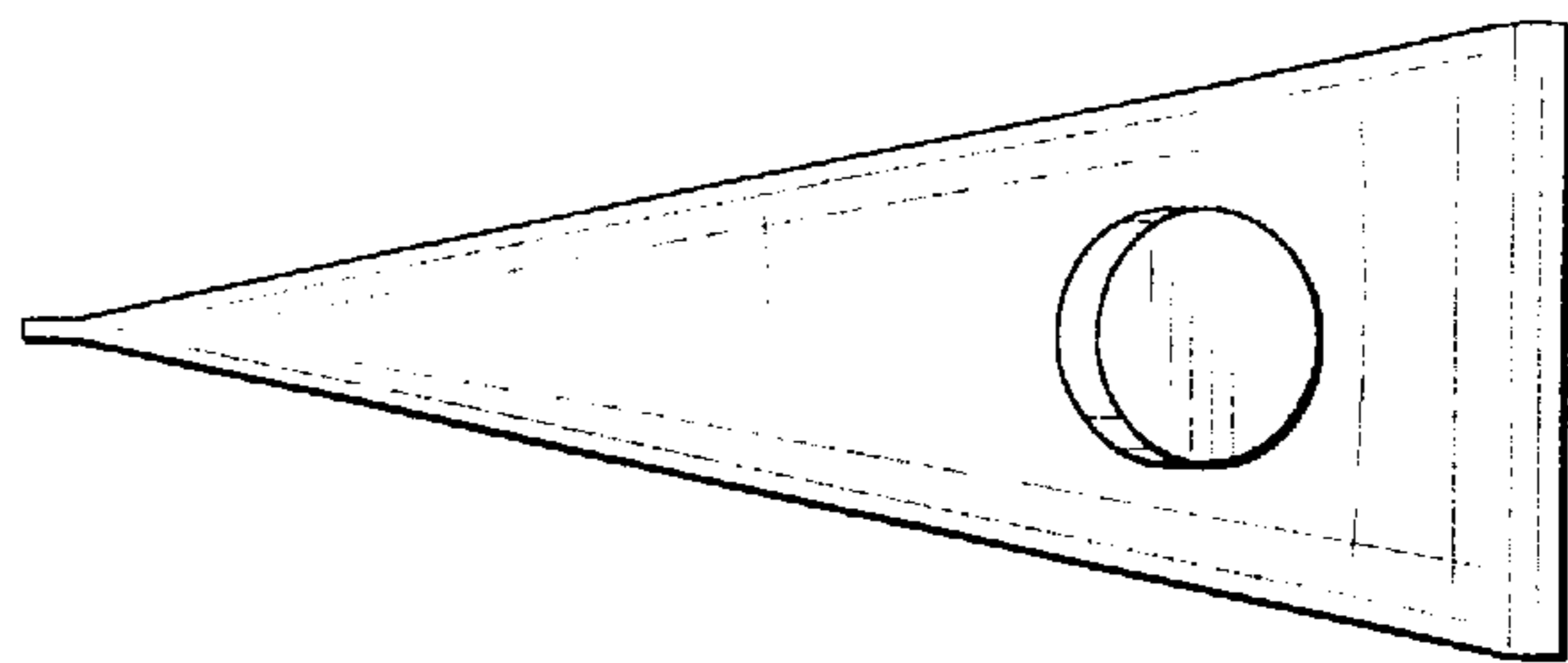


FIG. 5

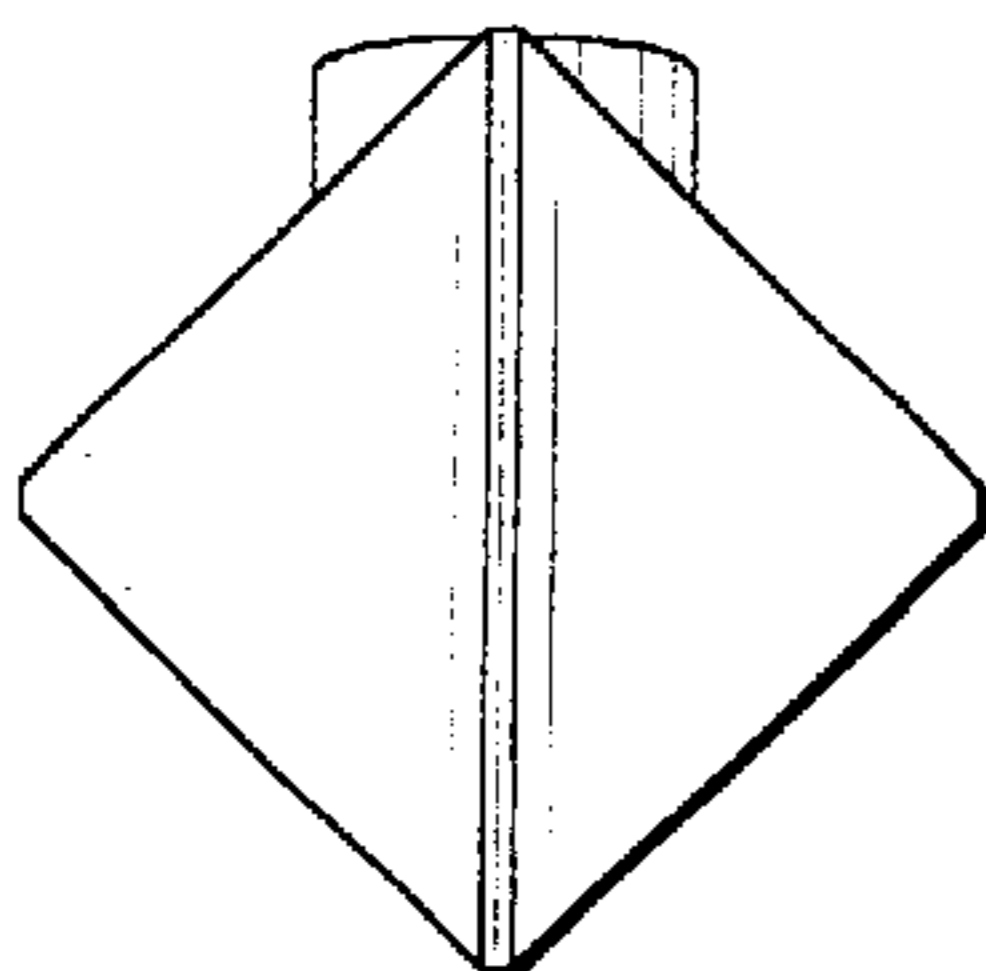


FIG. 4

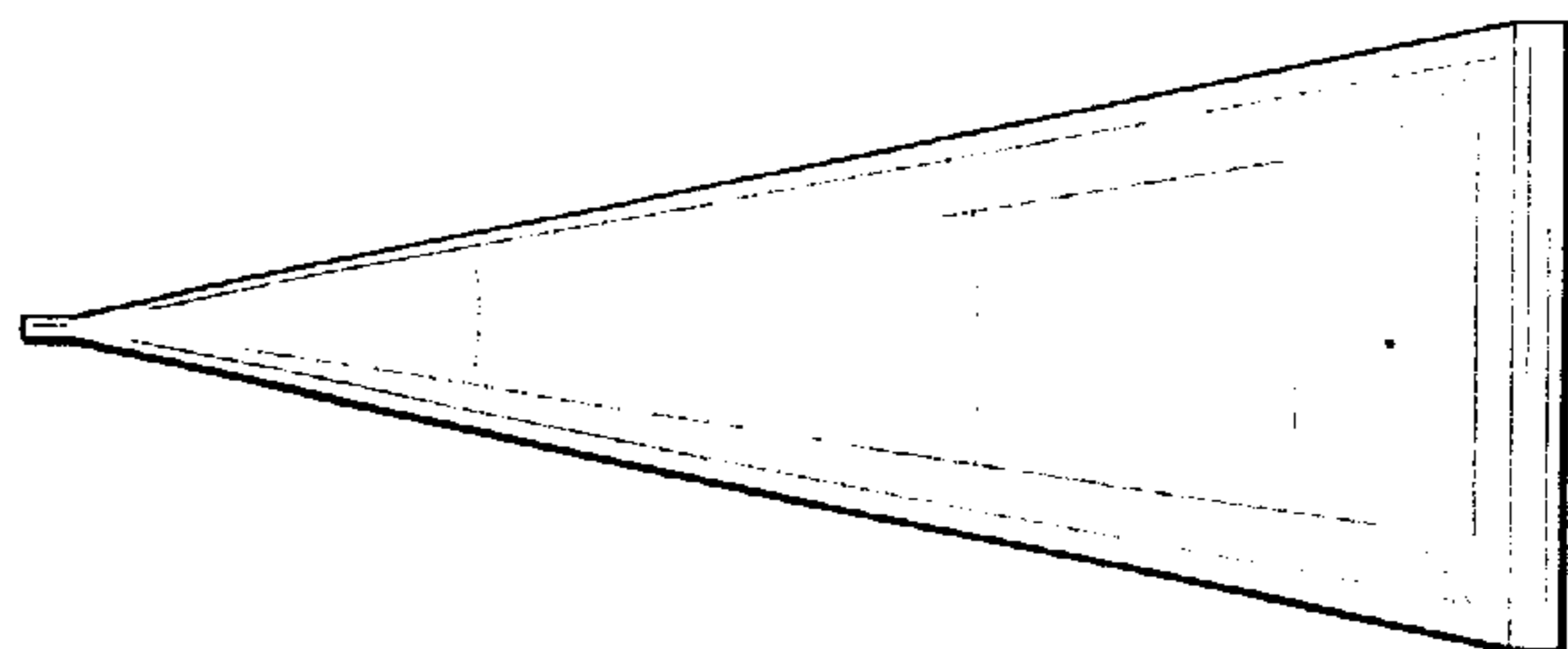


FIG. 6