



US00D432010S

# United States Patent [19] Etzel

[11] Patent Number: Des. 432,010

[45] Date of Patent: \*\* Oct. 17, 2000

[54] **REINFORCEMENT TAB**

[76] Inventor: **Scott T. Etzel**, 805 Trailridge Rd.,  
Grimes, Iowa 50111

[\*\*] Term: **14 Years**

[21] Appl. No.: **29/112,338**

[22] Filed: **Oct. 14, 1999**

4,525,399	6/1985	Fields .	
4,537,310	8/1985	Thul .....	206/806 X
4,718,962	1/1988	Goodwin .	
4,863,128	9/1989	Good .....	248/205.3
4,871,133	10/1989	Alonso .	
4,902,547	2/1990	Good .	
5,013,004	5/1991	Wilkins et al. ....	206/806 X
5,048,676	9/1991	Borgis et al. ....	206/806 X
5,511,883	4/1996	Clark et al. .	
5,542,634	8/1996	Pomerantz .....	248/214

### Related U.S. Application Data

[63] Continuation of application No. 09/134,508, Aug. 14, 1998,  
abandoned.

[51] **LOC (7) Cl.** ..... **09-07**

[52] **U.S. Cl.** ..... **D9/415**

[58] **Field of Search** ..... D9/415, 456, 457,  
D9/499; 206/461, 806, 462, 463, 495, 527,  
279, 349; 248/544, 200, 205.3, 205.4, 205.1,  
214, 467, 903, 909, 205.6; 402/79; D6/491,  
512; D3/328, 318, 329

[56] **References Cited**

#### U.S. PATENT DOCUMENTS

D. 227,081	6/1973	Alexander .....	D9/415
D. 349,239	8/1994	Steenland .....	D9/415
D. 419,064	1/2000	Gorry .....	D9/415
2,589,168	3/1952	Vassar .....	206/527
3,315,683	4/1967	Rodriguez et al. .	
3,695,418	10/1972	Gwozdz .....	206/806 X
4,016,977	4/1977	Krautsack .....	206/806 X
4,431,325	2/1984	Colby .	

### OTHER PUBLICATIONS

Techform Inc, Nov. 1982.

*Primary Examiner*—Prabhakar Deshmukh  
*Attorney, Agent, or Firm*—Henderson & Sturm LLP

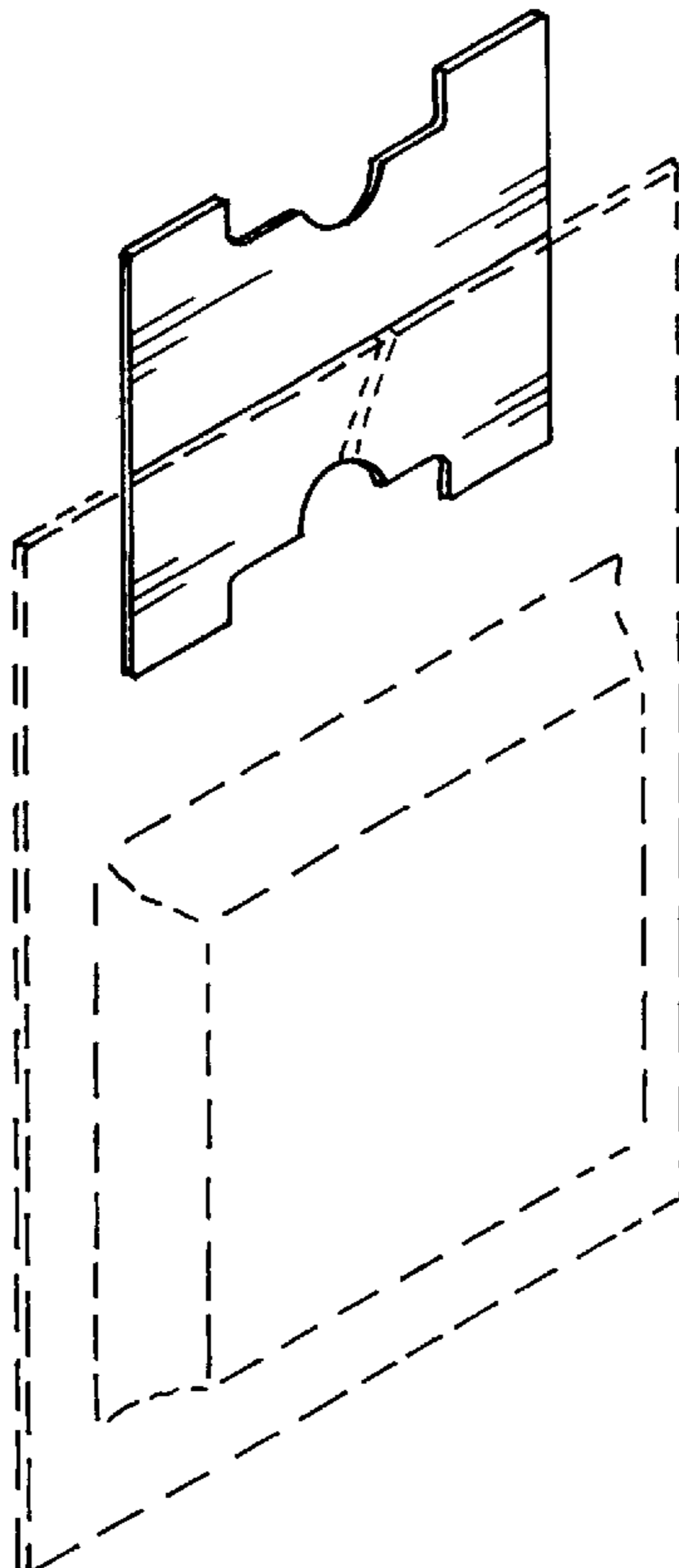
[57] **CLAIM**

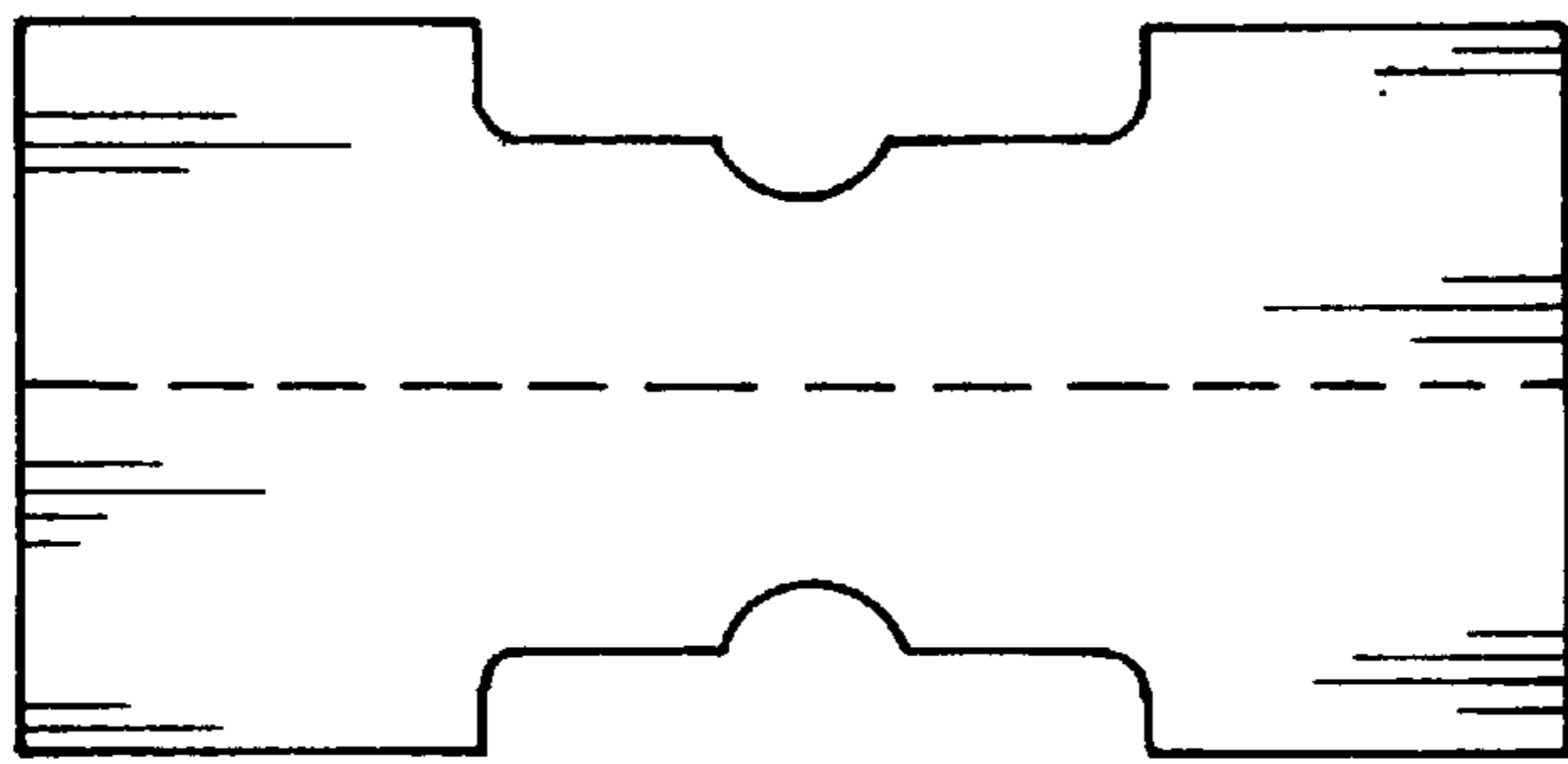
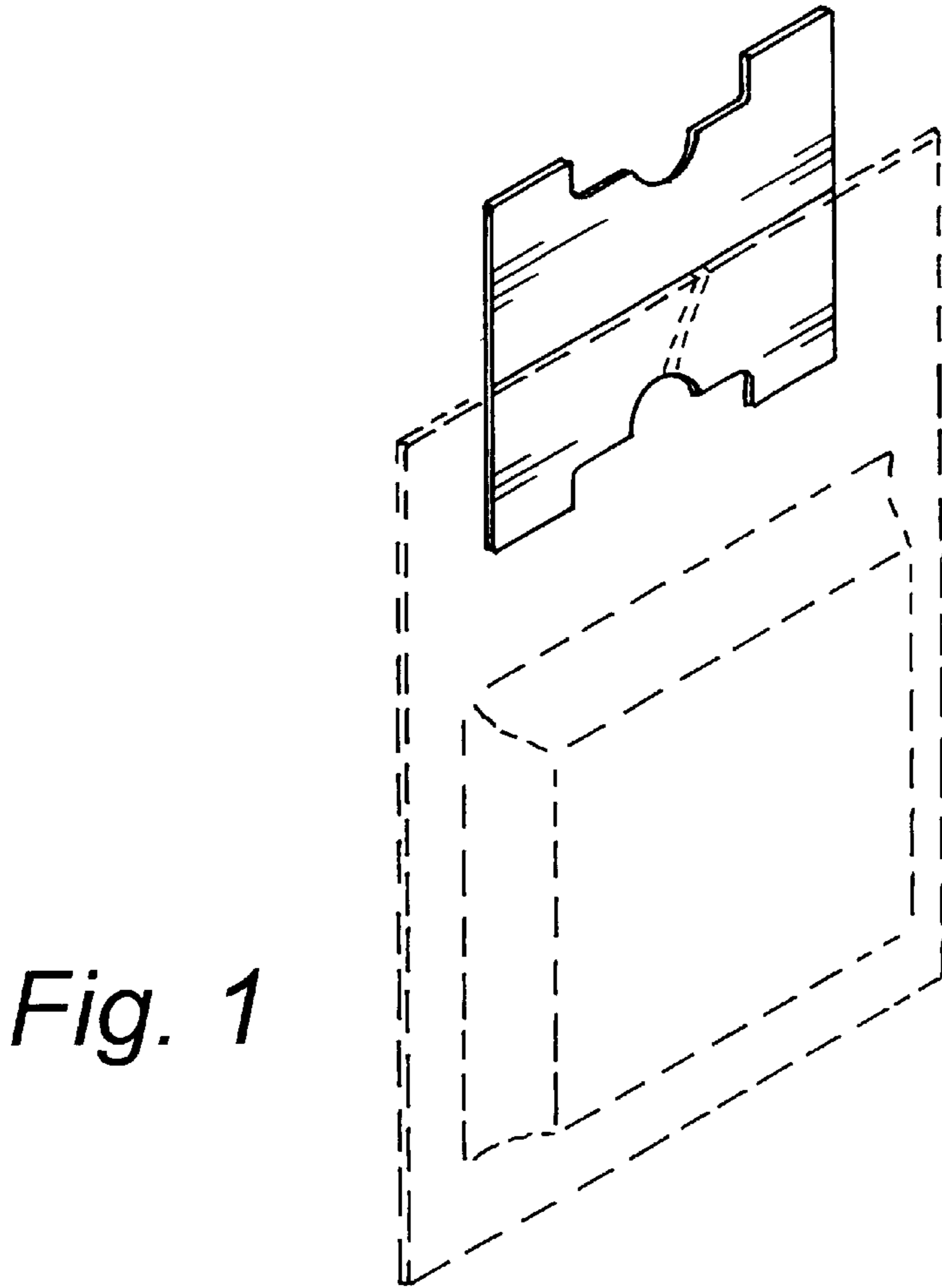
The ornamental design for a reinforcement tab, as shown and described.

### DESCRIPTION

FIG. 1 is a perspective view of a reinforcement tab showing my new design;  
FIG. 2 is a top plan view thereof; the bottom plan view being a mirror image thereof;  
FIG. 3 is a front elevational view thereof; the rear elevational view being a mirror image thereof; and,  
FIG. 4 is a left side elevational view thereof; the right side elevational view being a mirror image thereof.  
The broken line showing of package is for illustrative purpose only and forms no part of the claimed design.

**1 Claim, 1 Drawing Sheet**





*Fig. 4*



*Fig. 3*