



US00D432003S

United States Patent [19]

Lumbert et al.

[11] Patent Number: Des. 432,003

[45] Date of Patent: ** Oct. 17, 2000

[54] TORCH HOLDER

D. 402,144 12/1998 Weirich D6/524
664,922 1/1901 Bening 248/224.7

[76] Inventors: **Ross Lumbert**, 15257 Queens Lace,
Rose Hill, Kans. 67133; **David
Fogelman**, 11833 SW. 30, Towanda,
Kans. 67144

Primary Examiner—Holly Baynham

[**] Term: 14 Years

[57] CLAIM

The ornamental design for a torch holder, as shown.

[21] Appl. No.: 29/111,579

DESCRIPTION

[22] Filed: Sep. 29, 1999

[51] LOC (7) Cl. 08-05

[52] U.S. Cl. D8/363

[58] Field of Search D8/356, 363; D26/8;
431/290; 248/309.1, 219.2, 218.4, 251,
254, 264, 316.8, 224.7, 315, 238, 359;
403/235

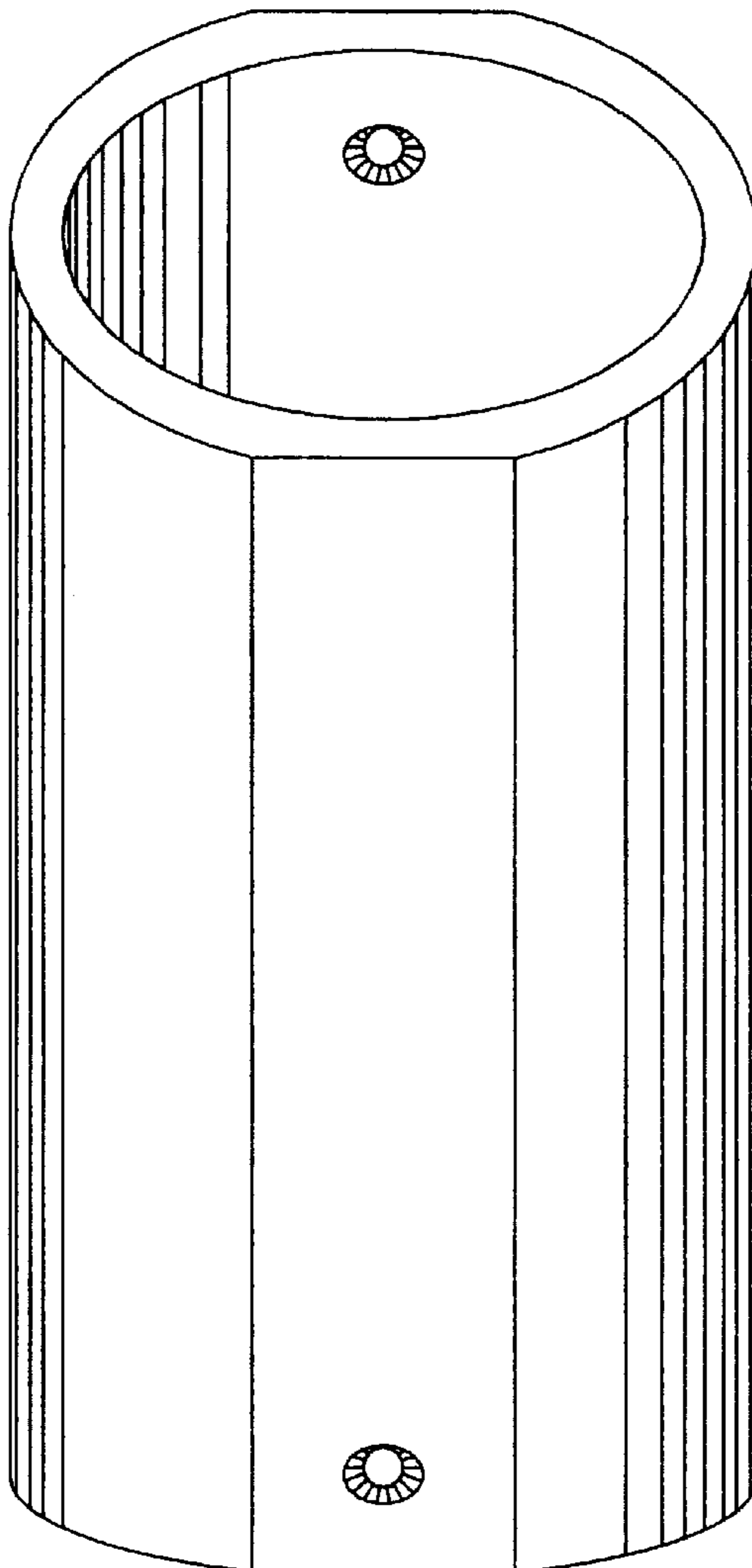
FIG. 1 is a front, perspective view.
FIG. 2 is a reduced scale top view; the bottom view being
a mirror image.
FIG. 3 is a front, elevational view.
FIG. 4 is a rear view; and,
FIG. 5 is a right side view; the left side view being a mirror
image.

[56] References Cited

U.S. PATENT DOCUMENTS

D. 374,937 10/1996 Salas D25/68

1 Claim, 2 Drawing Sheets



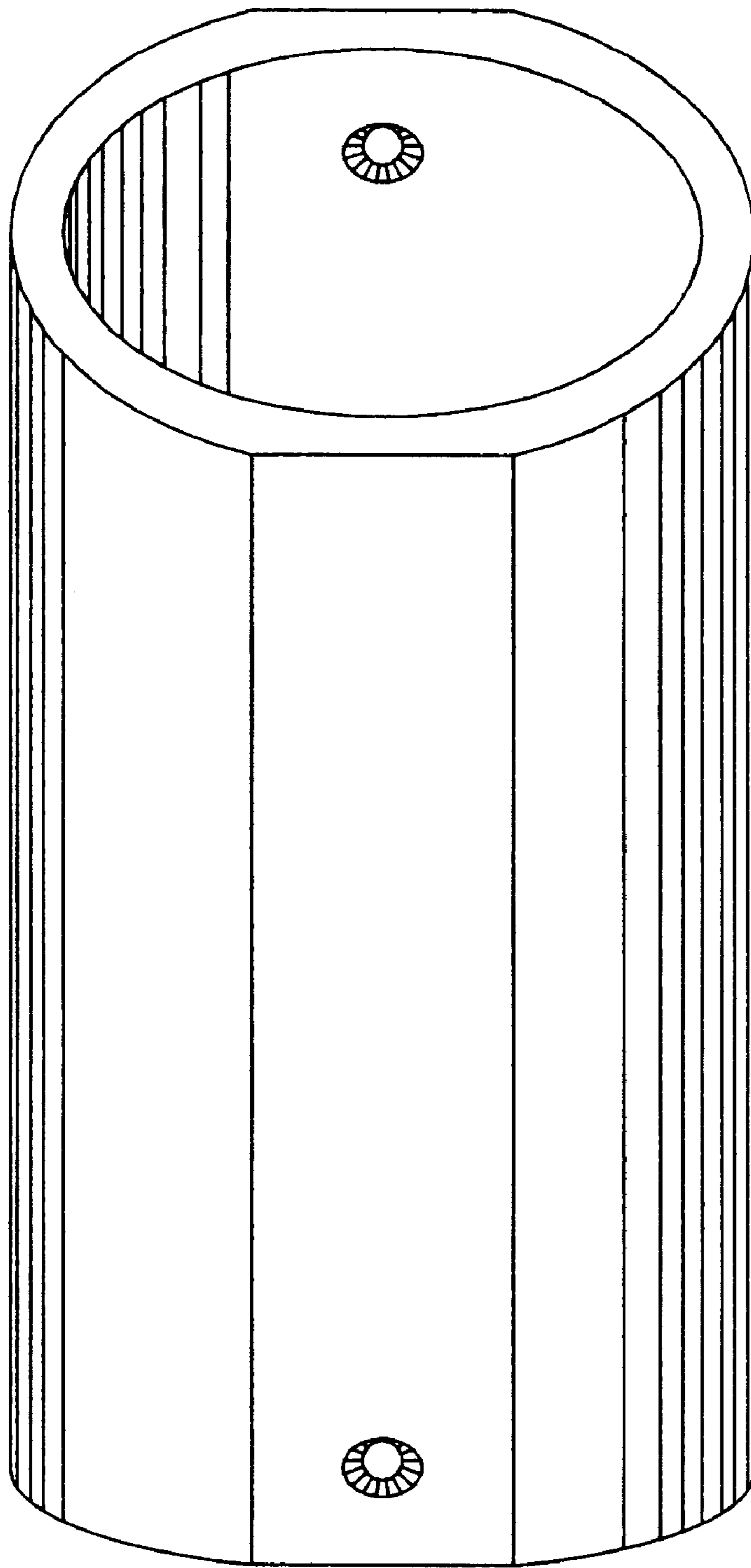


FIG. 1

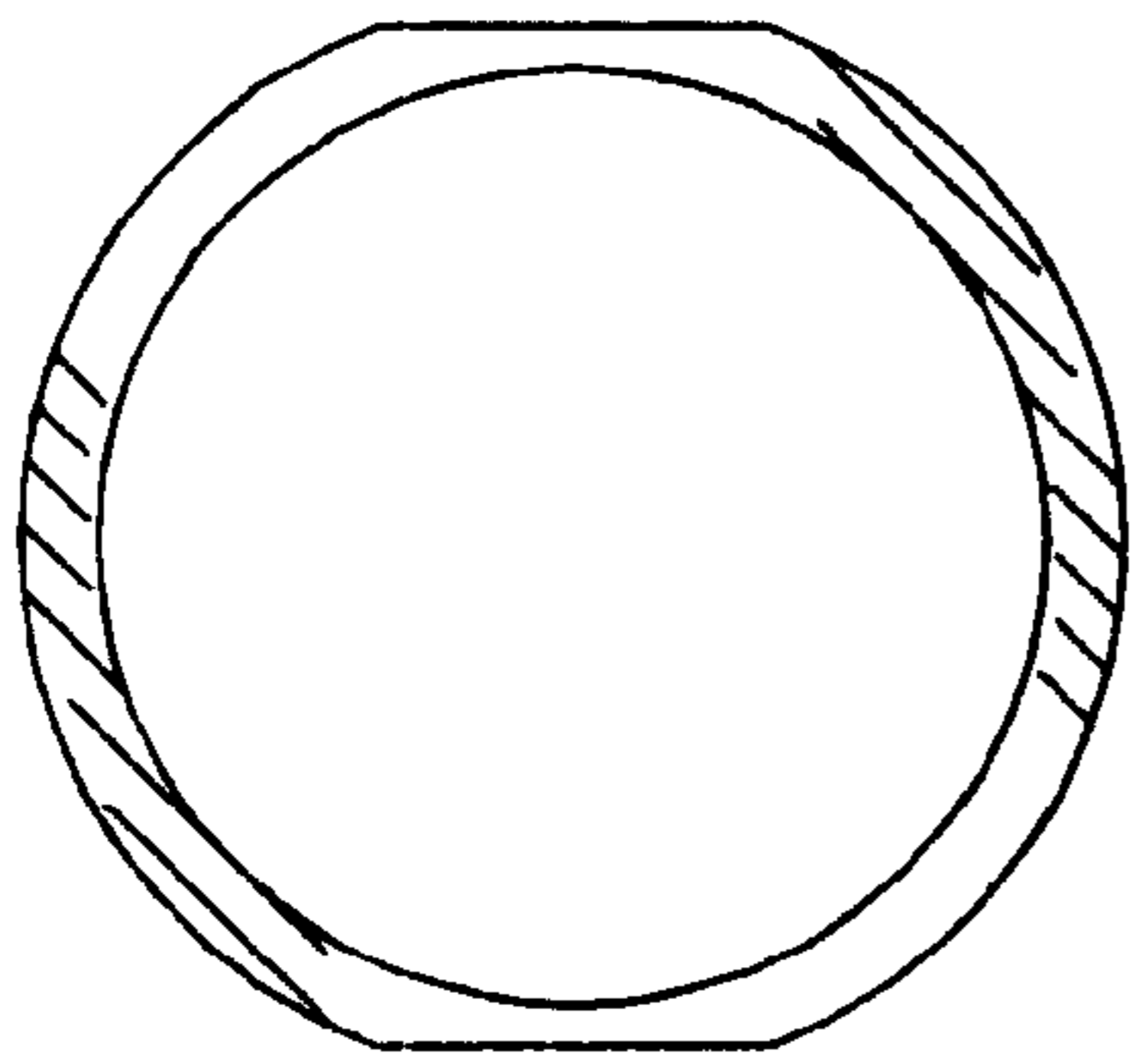


FIG. 2

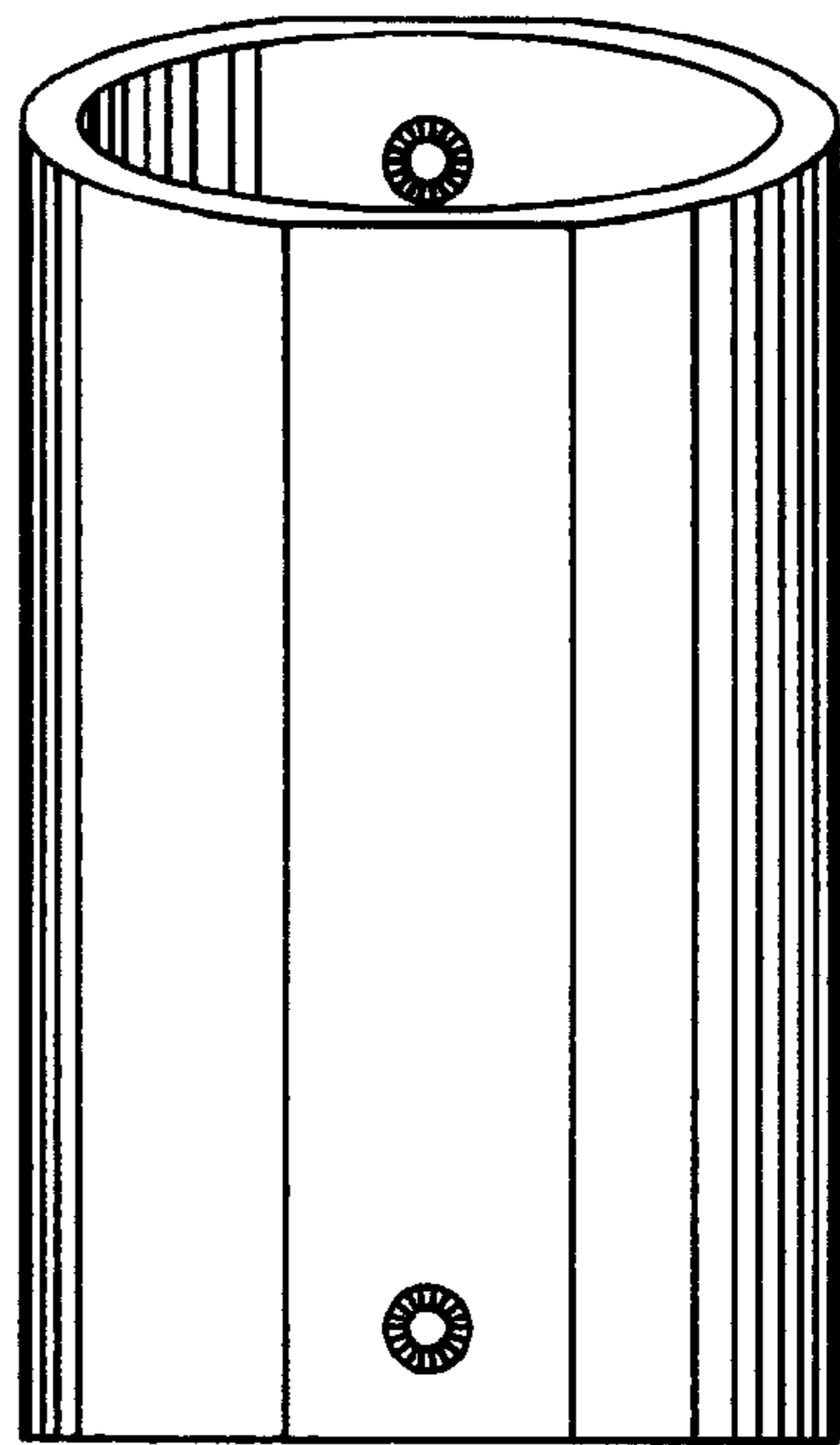


FIG. 3

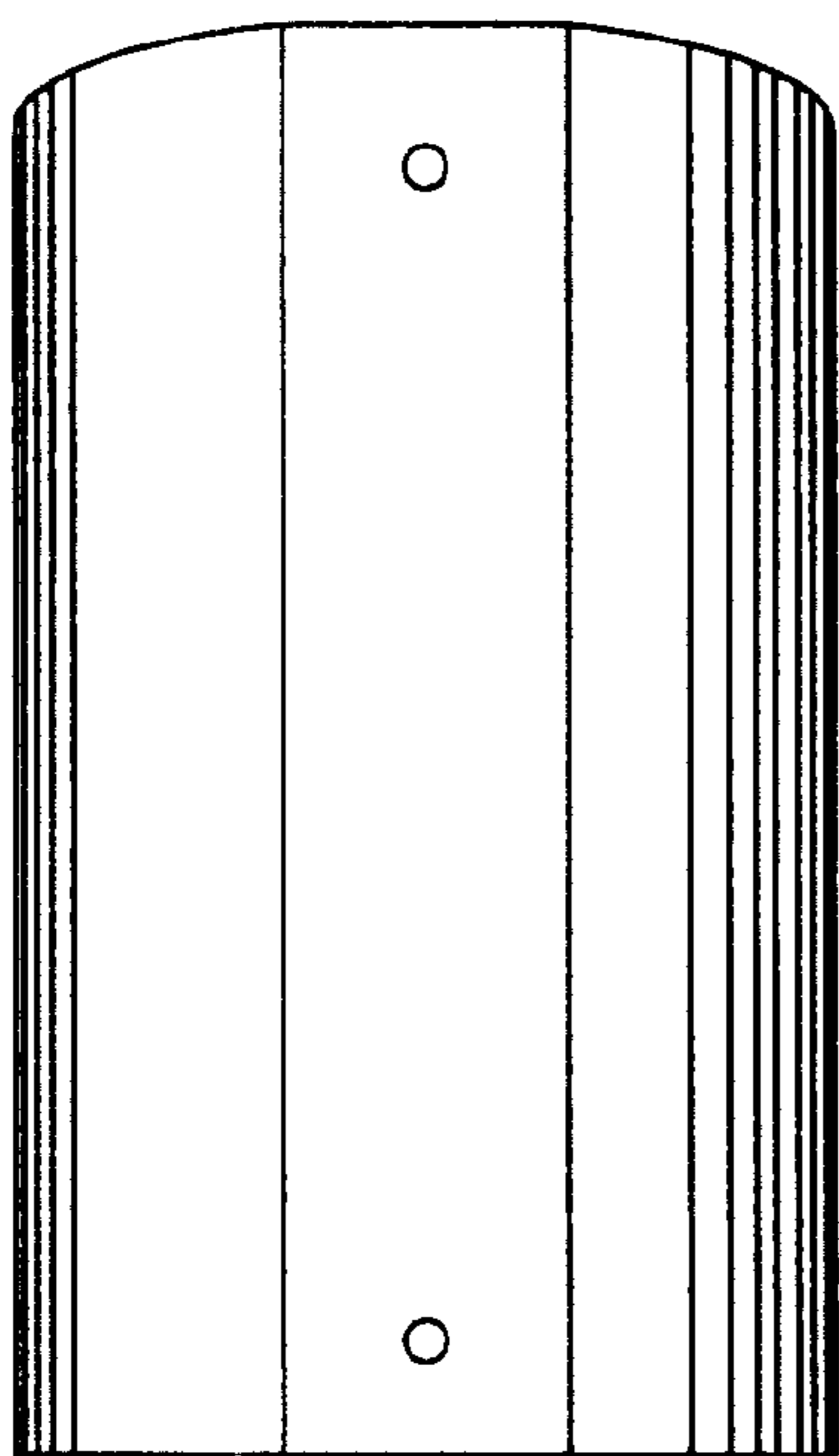


FIG. 4

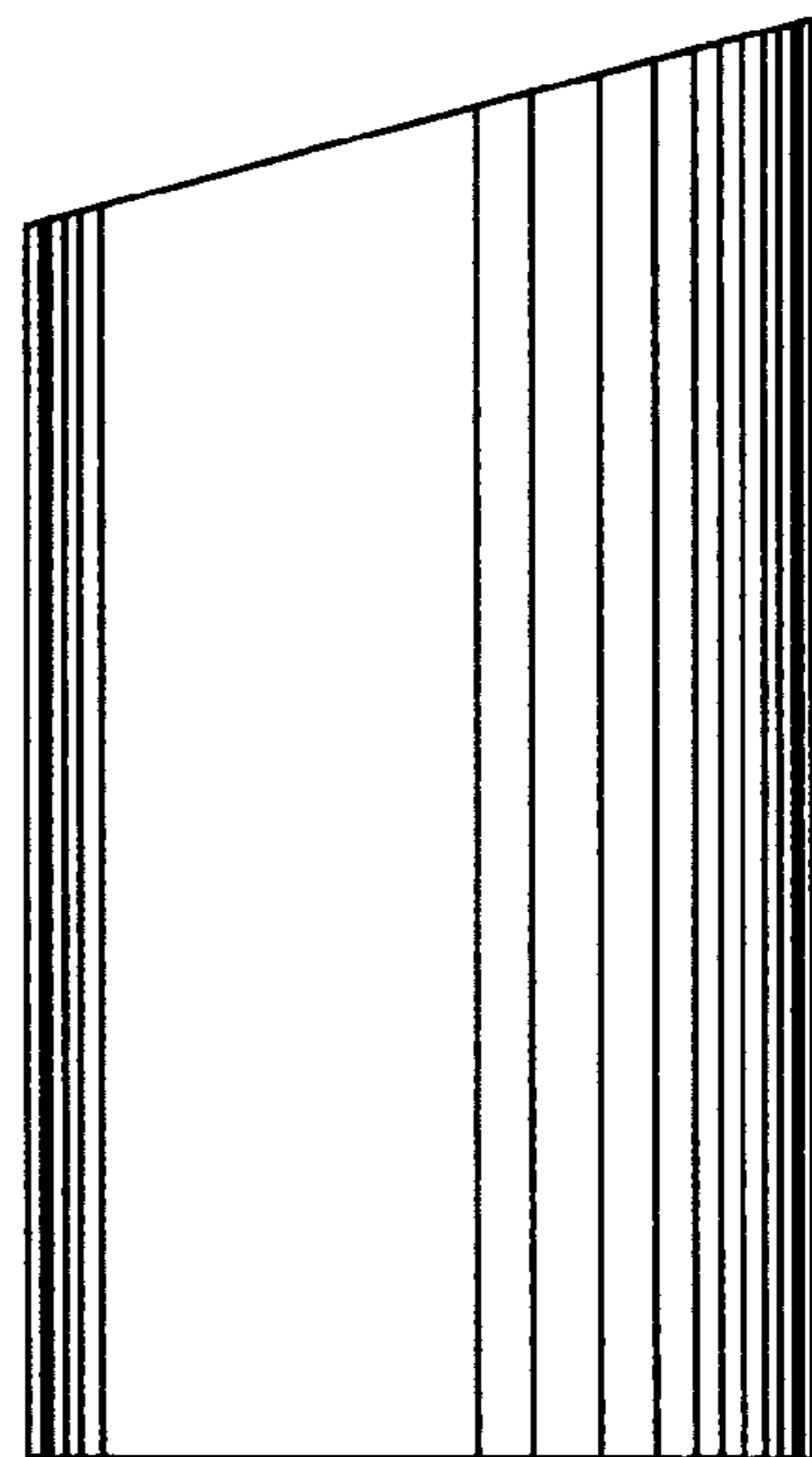


FIG. 5