



US00D432001S

United States Patent [19] Taylor

[11] **Patent Number: Des. 432,001**

[45] **Date of Patent: ** Oct. 17, 2000**

[54] **WIRE TENSIONER**

2,100,526 11/1937 Voigt et al. 24/26
5,170,536 12/1992 McBroom 242/388.2

[75] Inventor: **Jim Taylor**, Santa Ana, Calif.

Primary Examiner—Holly Baynham
Attorney, Agent, or Firm—Shlesinger, Arkwright & Garvey
LLP

[73] Assignee: **Taylor Products**, Tustin, Calif.

[**] Term: **14 Years**

[21] Appl. No.: **29/091,494**

[22] Filed: **Sep. 11, 1998**

[57] **CLAIM**

The ornamental design for a wire tensioner, as shown and described.

[51] **LOC (7) Cl.** **08-05**

DESCRIPTION

[52] **U.S. Cl.** **D8/356**

FIG. 1 is a perspective view of a wire tensioner, showing my new design;
FIG. 2 is a side elevational view of FIG. 1;
FIG. 3 is an opposite side elevational view of FIG. 2;
FIG. 4 is a left end view of FIG. 2;
FIG. 5 is a right end view of FIG. 2;
FIG. 6 is a bottom view of FIG. 2; and,
FIG. 7 is a top view of FIG. 2.

[58] **Field of Search** D8/370; 248/303-304,
248/218.4, 218.1; 24/26-27, 29; 52/685,
712, 719; 242/388.2

[56] **References Cited**

U.S. PATENT DOCUMENTS

1,007,843 11/1911 Botsford 248/218.4
1,251,226 12/1917 Hales 24/26

1 Claim, 1 Drawing Sheet

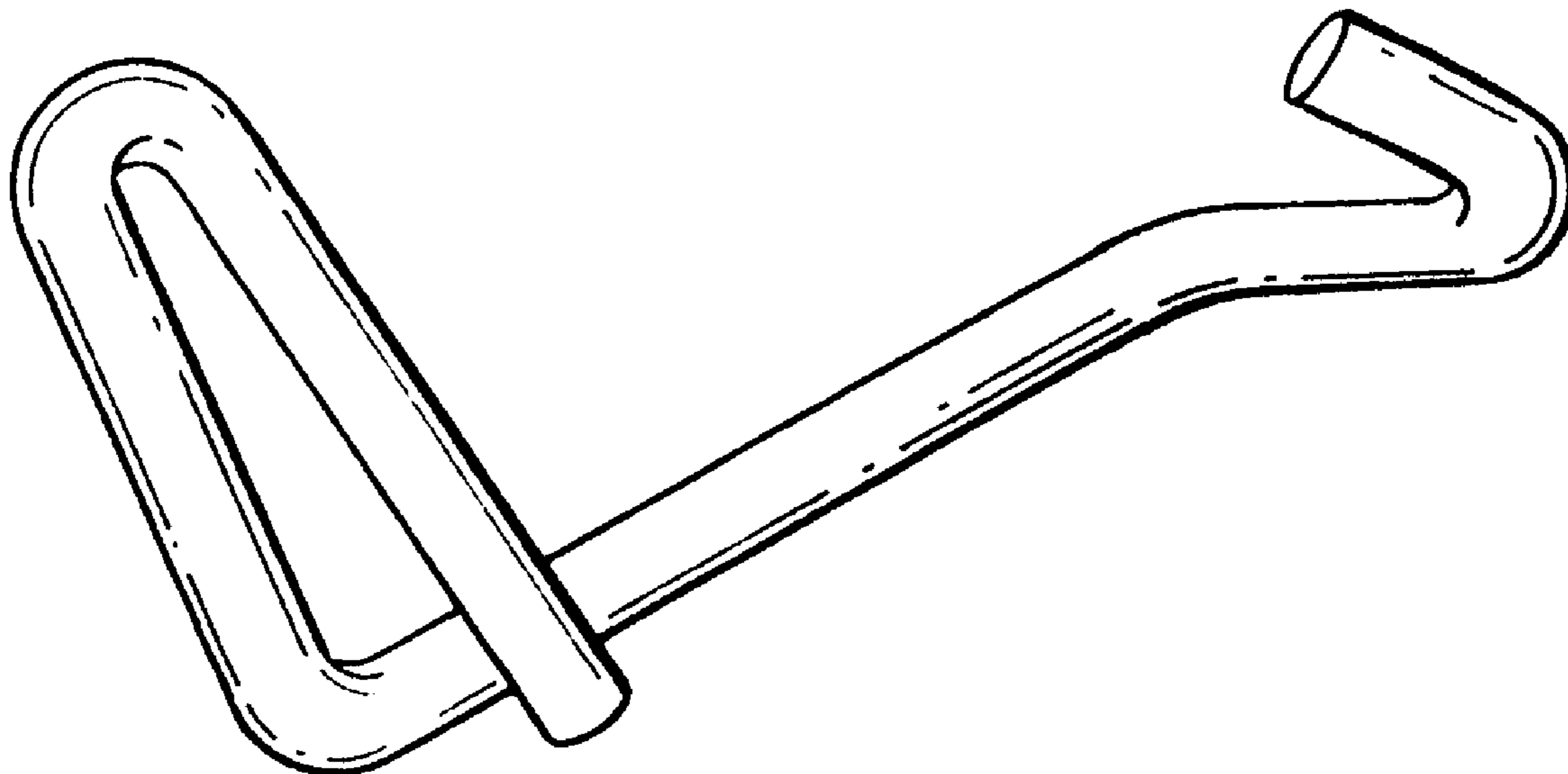


FIG. 1

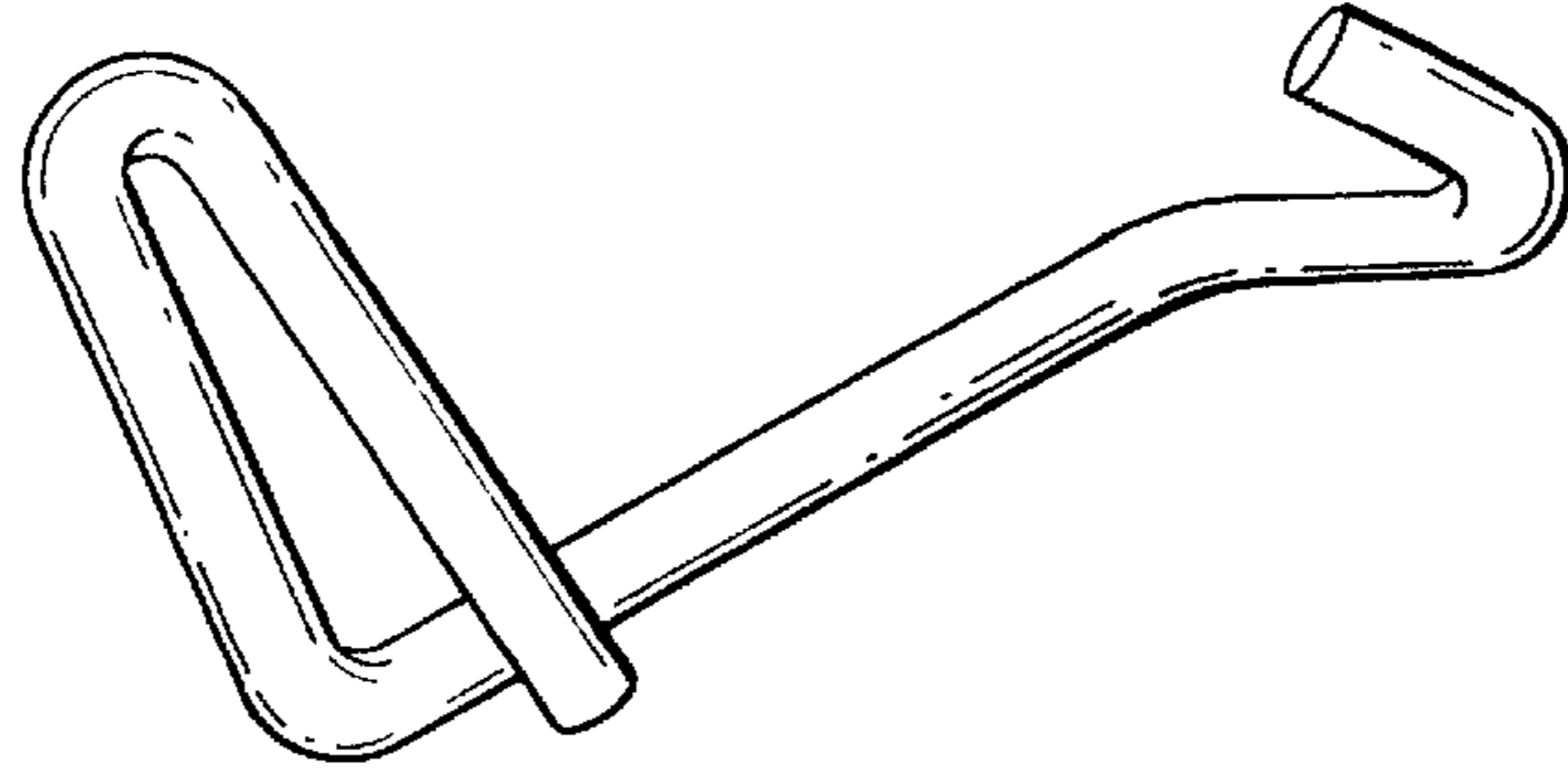


FIG. 2

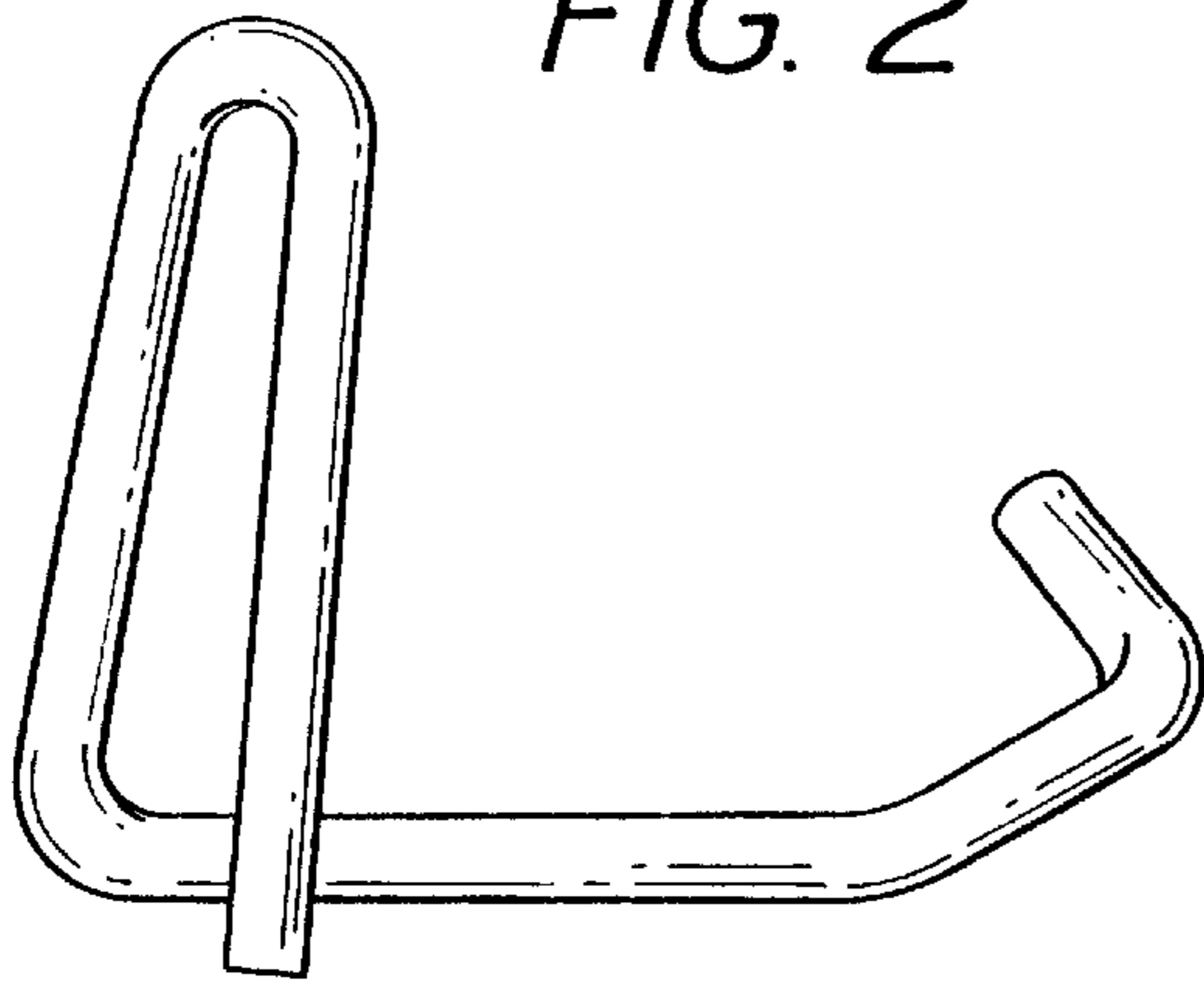


FIG. 3

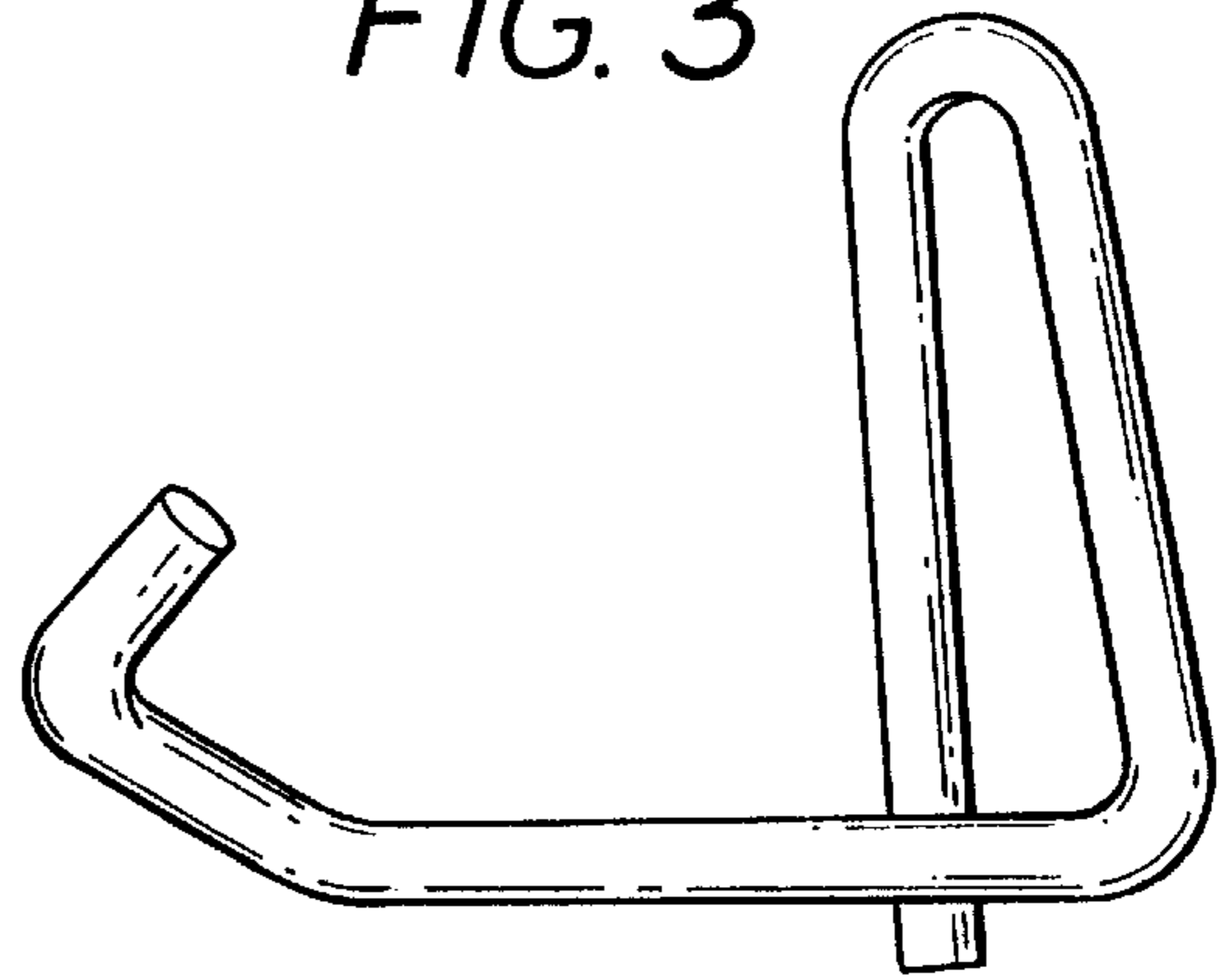


FIG. 4

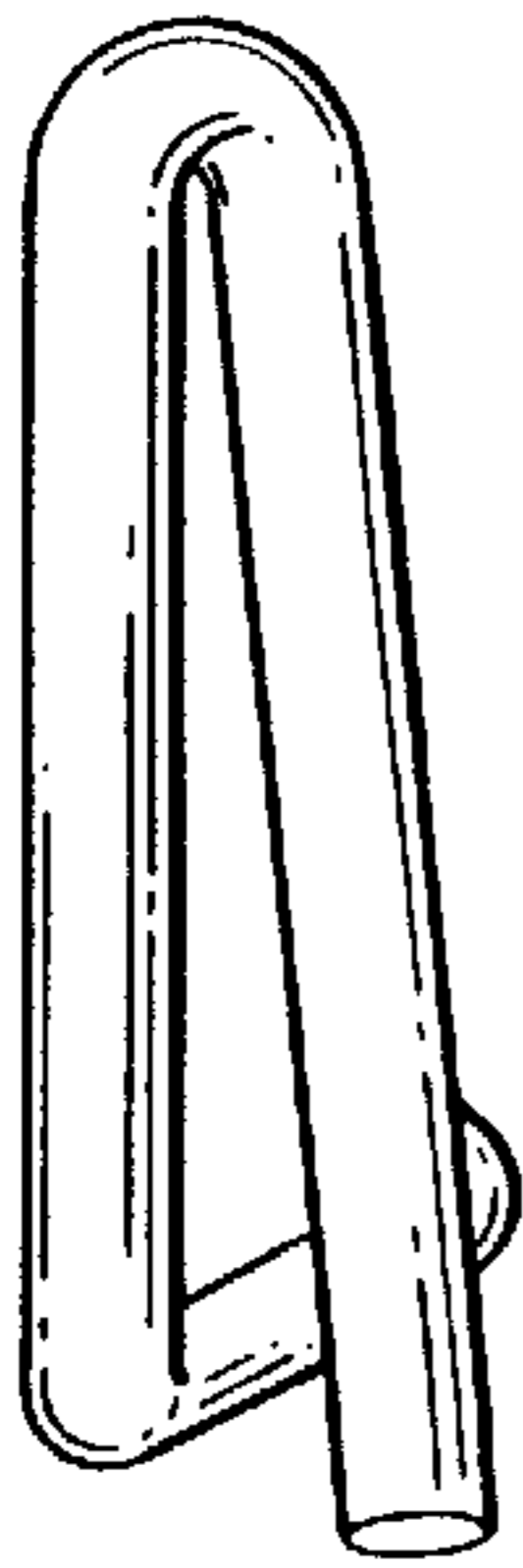


FIG. 5

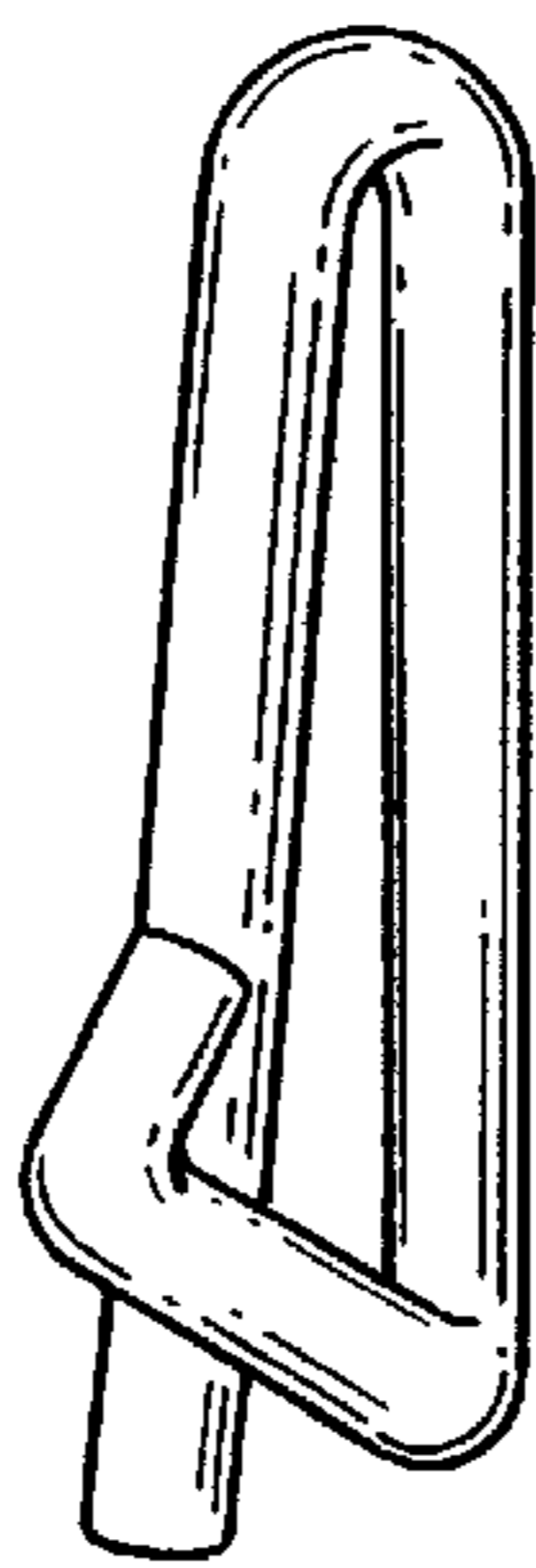


FIG. 6

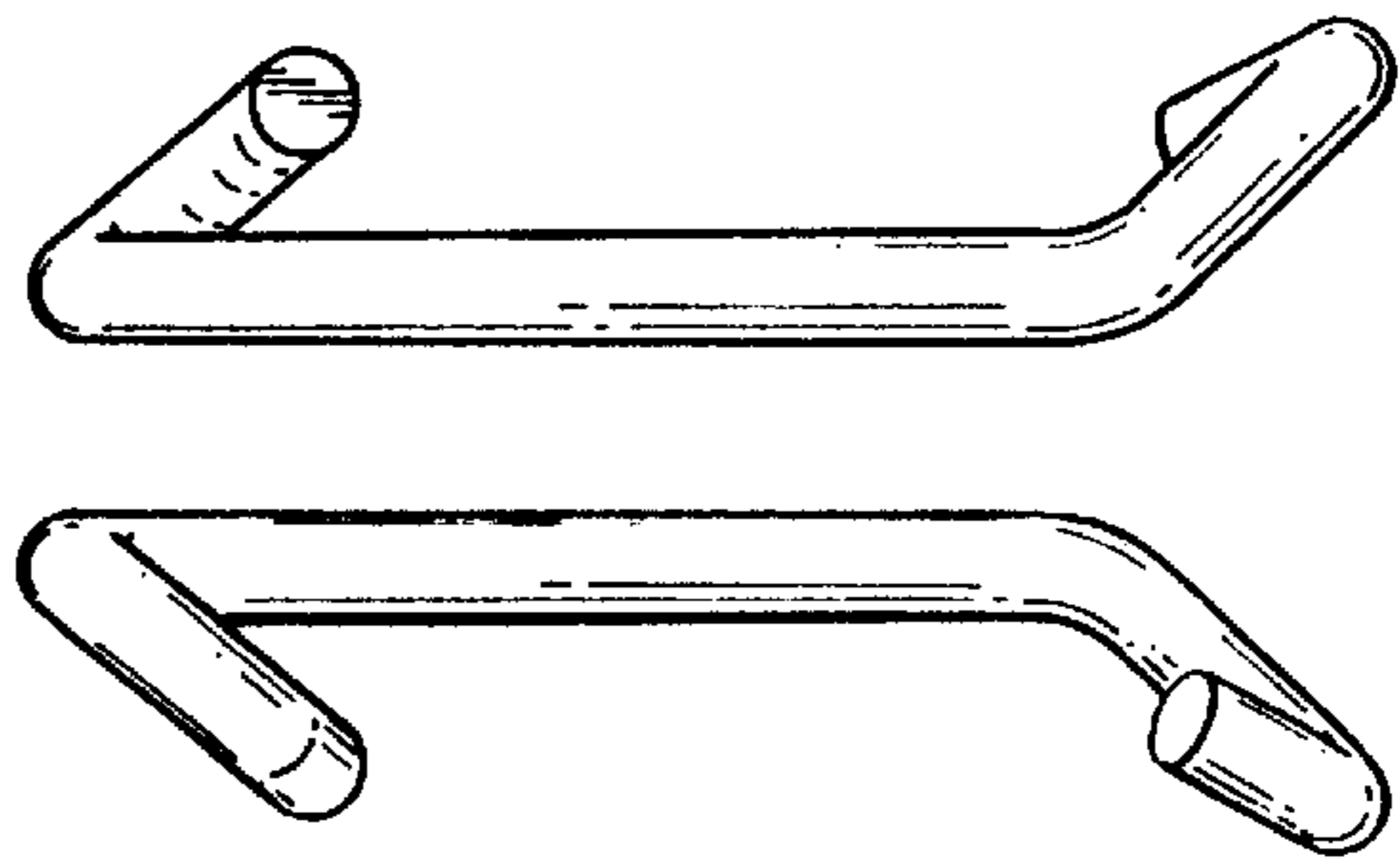


FIG. 7

