



US00D432000S

United States Patent [19]

[11] **Patent Number: Des. 432,000**

Hays

[45] **Date of Patent: ** Oct. 17, 2000**

[54] **MODULAR BUILDING SYSTEM RAFTER CONNECTOR**

Attorney, Agent, or Firm—Jerry L. Mahurin

[76] Inventor: **Gary David Amos Hays**, 5220 S. 24th St., Fort Smith, Ark. 72901

[57] **CLAIM**

The ornamental design for a modular building system rafter connector, as shown and described.

[**] Term: **14 Years**

DESCRIPTION

[21] Appl. No.: **29/113,986**

FIG. 1 is a perspective environmental view of a modular building system rafter connector;

[22] Filed: **Nov. 16, 1999**

FIG. 2 is a perspective environmental view of the modular building system rafter connector in a steep pitch configuration;

[51] **LOC (7) Cl.** **08-05**

[52] **U.S. Cl.** **D8/354**

[58] **Field of Search** D8/354; 52/79.1, 52/696, 719, 715, 640, 641, 653.2, 655.1, 693

FIG. 3 is an enlarged isometric view thereof;

FIG. 4 is a top plan view thereof;

FIG. 5 is a front elevational view thereof;

FIG. 6 is a rear elevational view thereof;

FIG. 7 is a bottom plan view thereof; and,

FIG. 8 is an end elevational view thereof, the opposite end being a mirror image thereof.

[56] **References Cited**

U.S. PATENT DOCUMENTS

5,577,353	11/1996	Simpson	52/696	X
5,579,621	12/1996	Fang	403/205	X
5,697,725	12/1997	Ballash et al.	52/696	X

The broken line showing of a rafter, column and fasteners in FIGS. 1 and 2 is for illustrative purposes only and forms no part of claimed design.

Primary Examiner—Holly Baynham

1 Claim, 3 Drawing Sheets

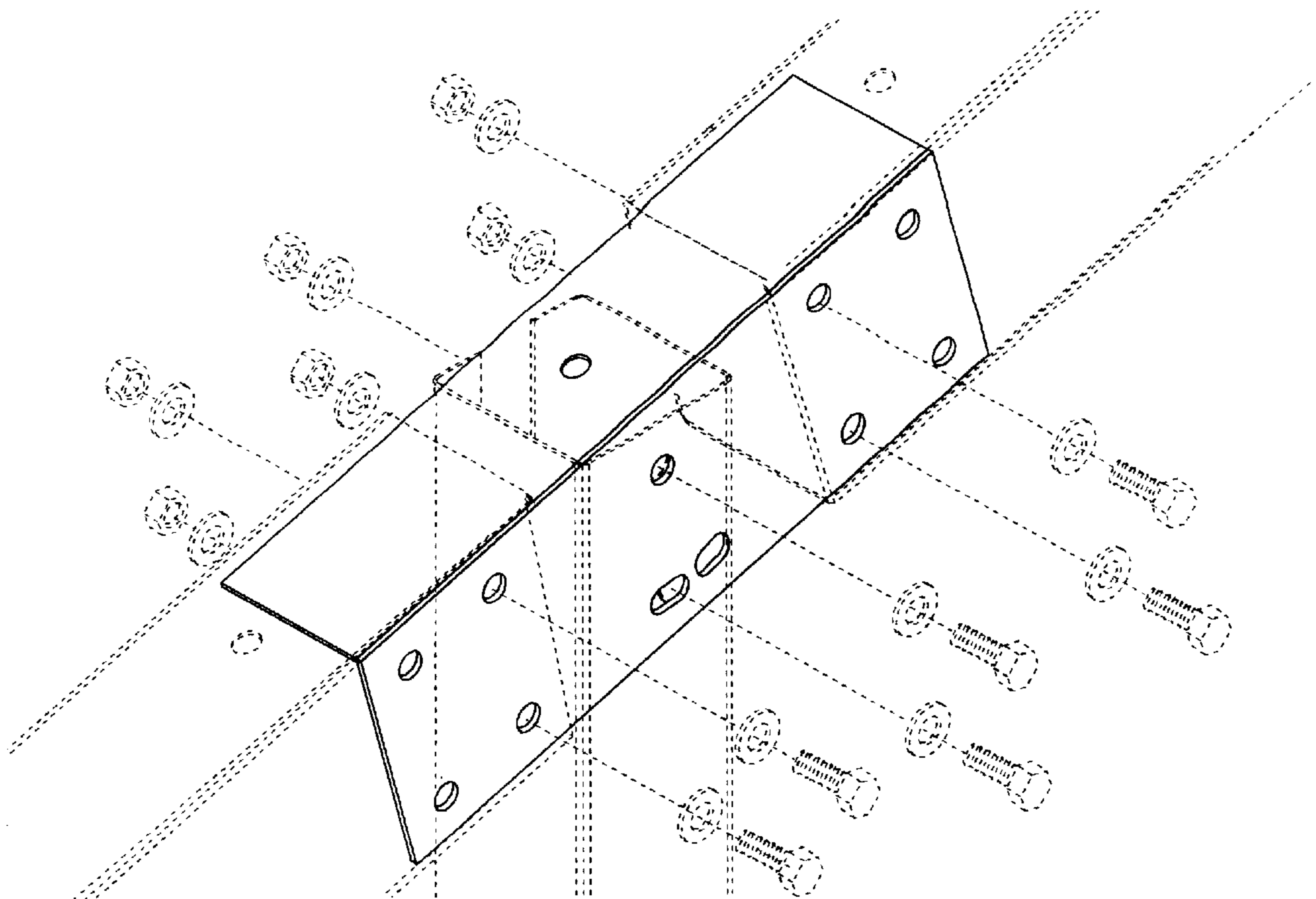


Fig. 1

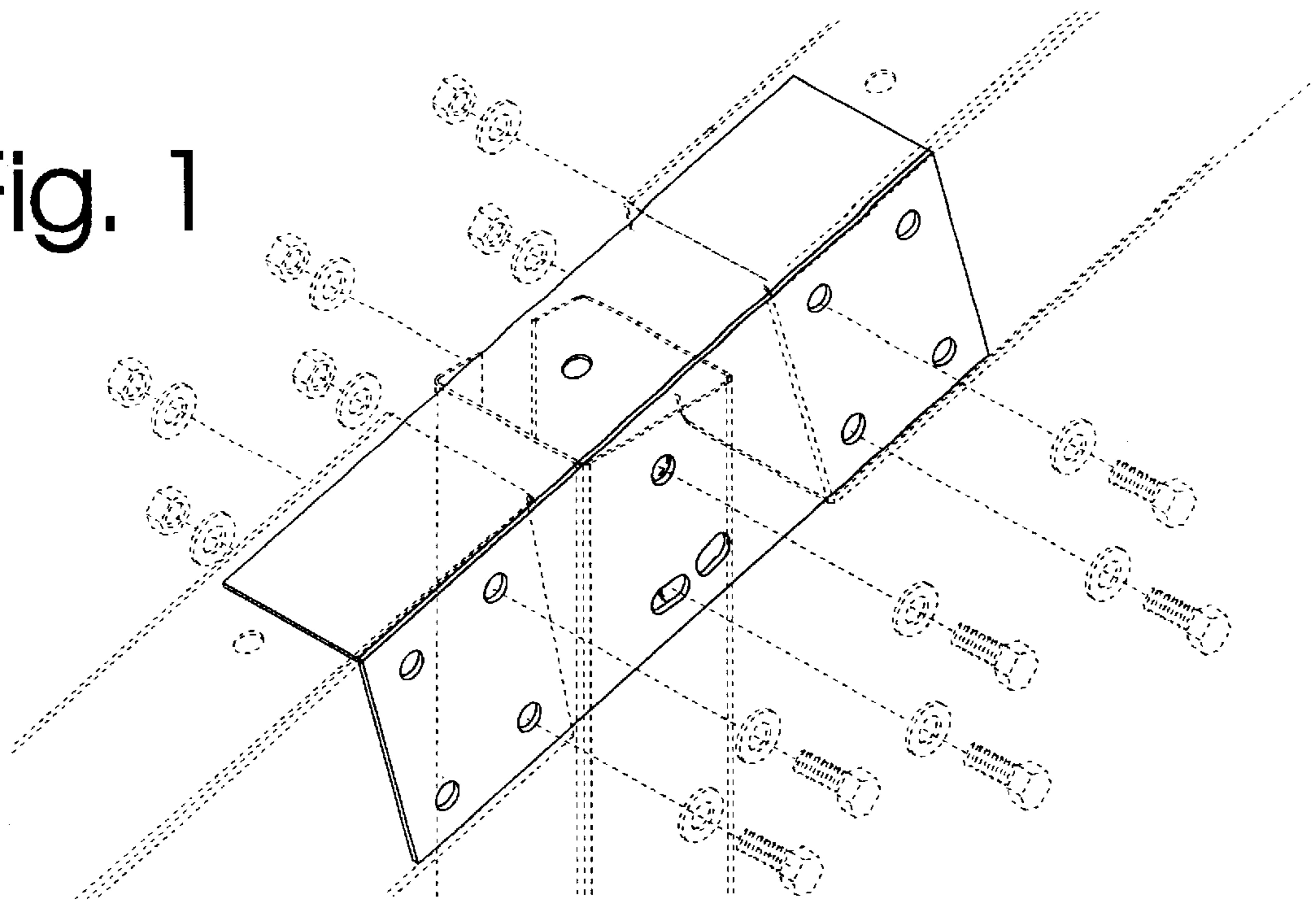
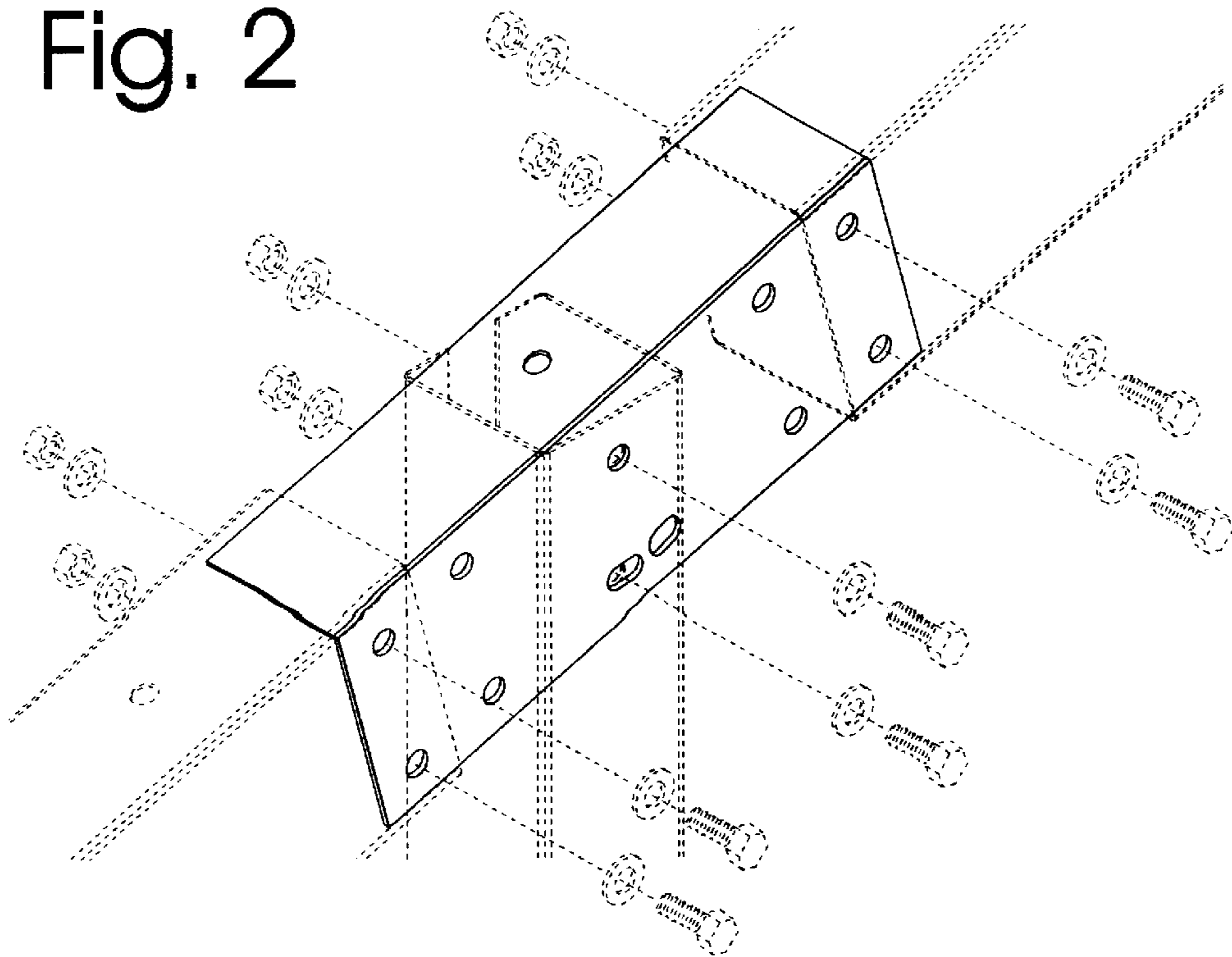


Fig. 2



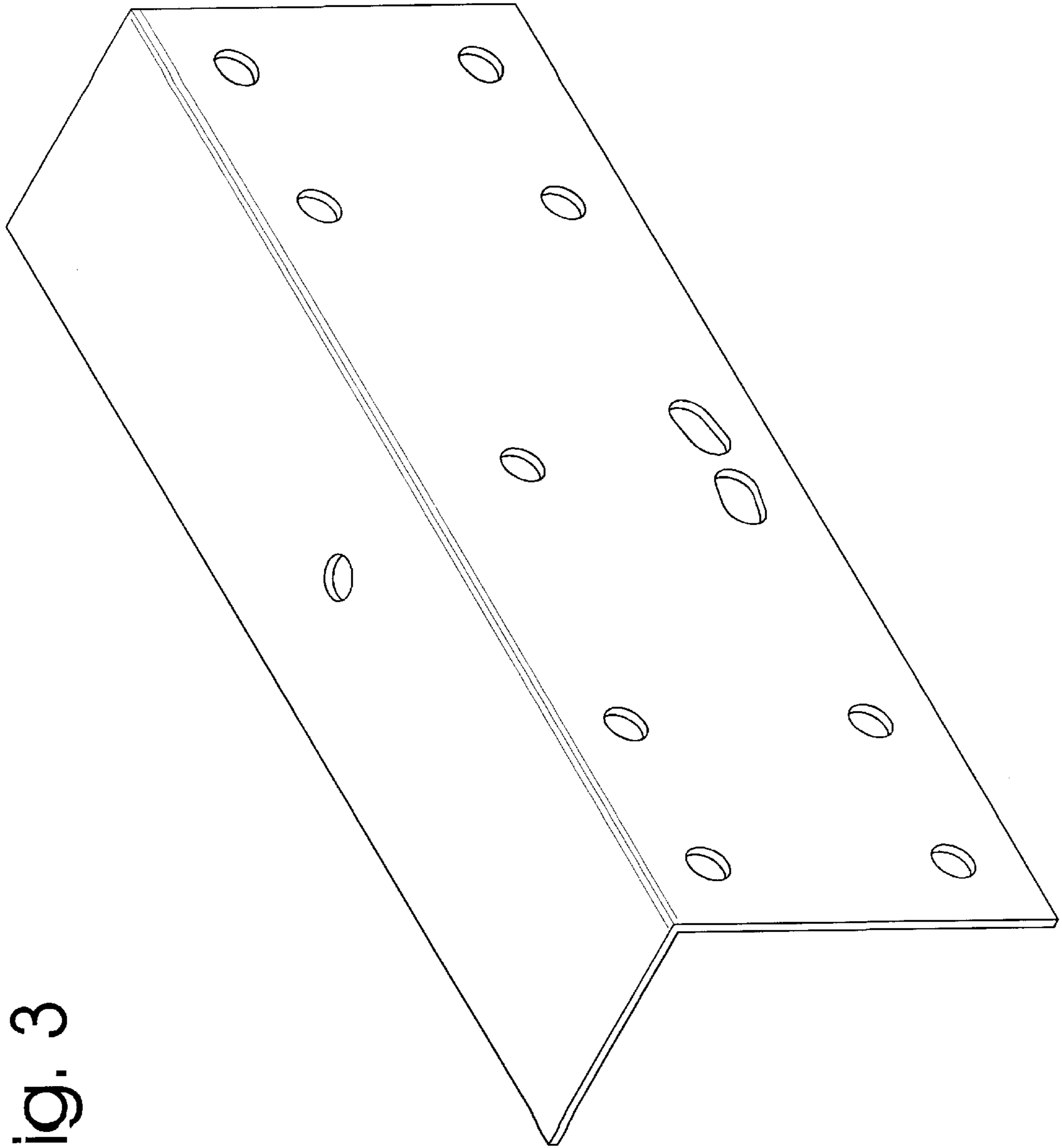


Fig. 3

Fig. 4

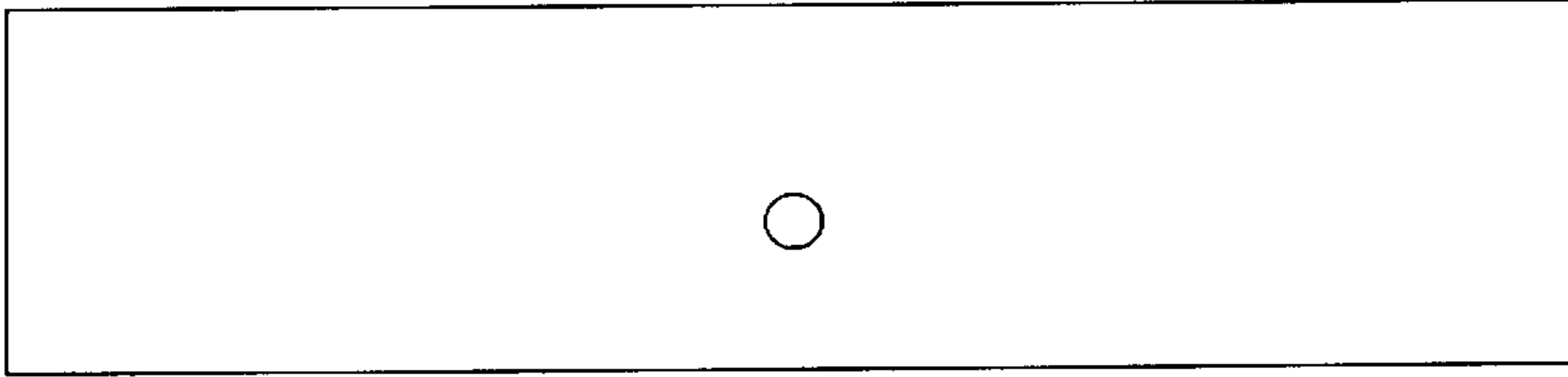


Fig. 5

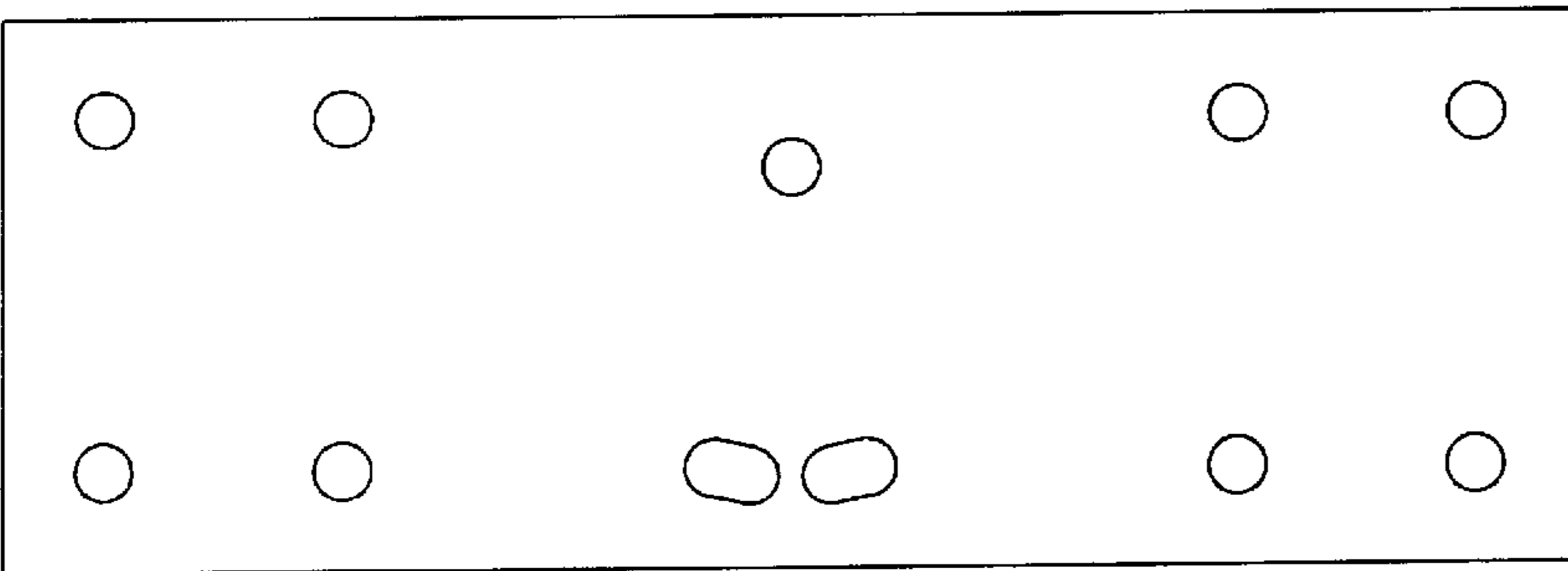


Fig. 6

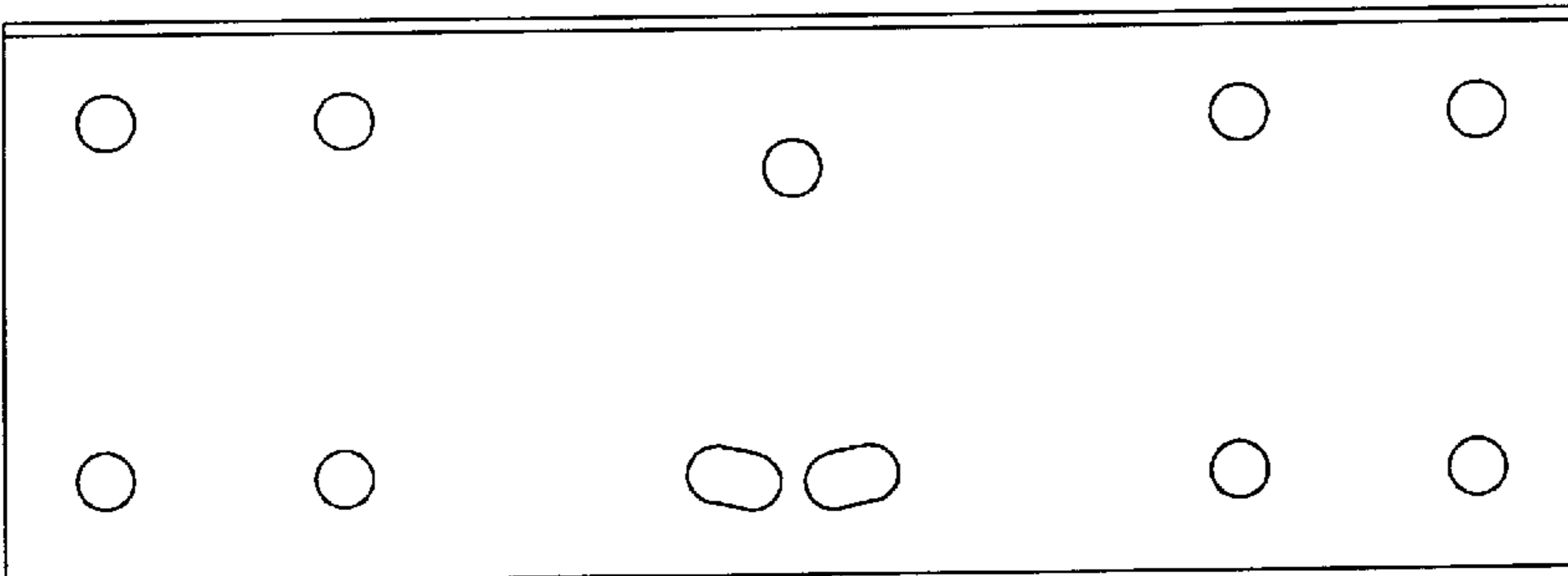


Fig. 7

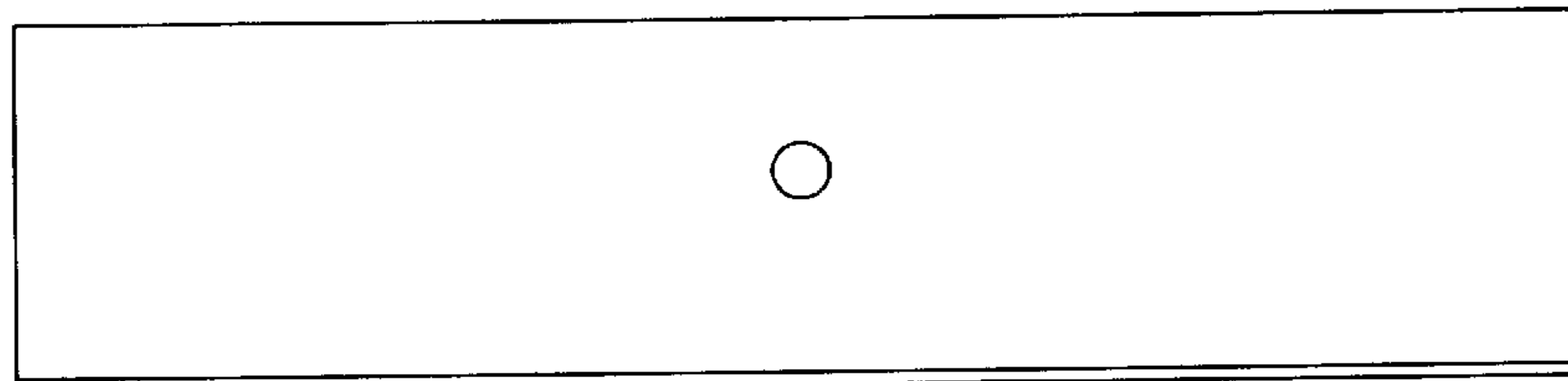


Fig. 8

