



US00D431996S

United States Patent [19] Short

[11] **Patent Number: Des. 431,996**

[45] **Date of Patent: ** Oct. 17, 2000**

[54] **PULL**

[75] Inventor: **Kevin G. Short**, LaGrange, Ill.

[73] Assignee: **Newell Operating Company**, Freeport, Ill.

[**] Term: **14 Years**

[21] Appl. No.: **29/118,044**

[22] Filed: **Feb. 3, 2000**

[51] **LOC (7) Cl.** **08-06**

[52] **U.S. Cl.** **D8/316**

[58] **Field of Search** D8/300, 315-320;
16/110.1, 412, 414-9, 441, 443, 444, 445

[56] **References Cited**

U.S. PATENT DOCUMENTS

- D. 153,796 5/1949 Heffernan .
- D. 194,968 4/1963 Stelma .
- D. 200,195 2/1965 Clayton .

OTHER PUBLICATIONS

Paul Associates Cat.; p. 59; pull 3500.
Trimco Catalog; p. 54B; pull 1875G.

Primary Examiner—B. J. Bullock

Attorney, Agent, or Firm—Foley & Lardner

[57] **CLAIM**

I claim the ornamental design for a pull, as shown and described.

DESCRIPTION

FIG. 1 is a perspective view of the pull according to a preferred embodiment.

FIG. 2 is a top plan view of the pull.

FIG. 3 is a front elevation view of the pull.

FIG. 4 is a side elevation view of the pull.

FIG. 5 is a bottom plan view of the pull.

FIG. 6 is a perspective view of the pull according to an alternative embodiment.

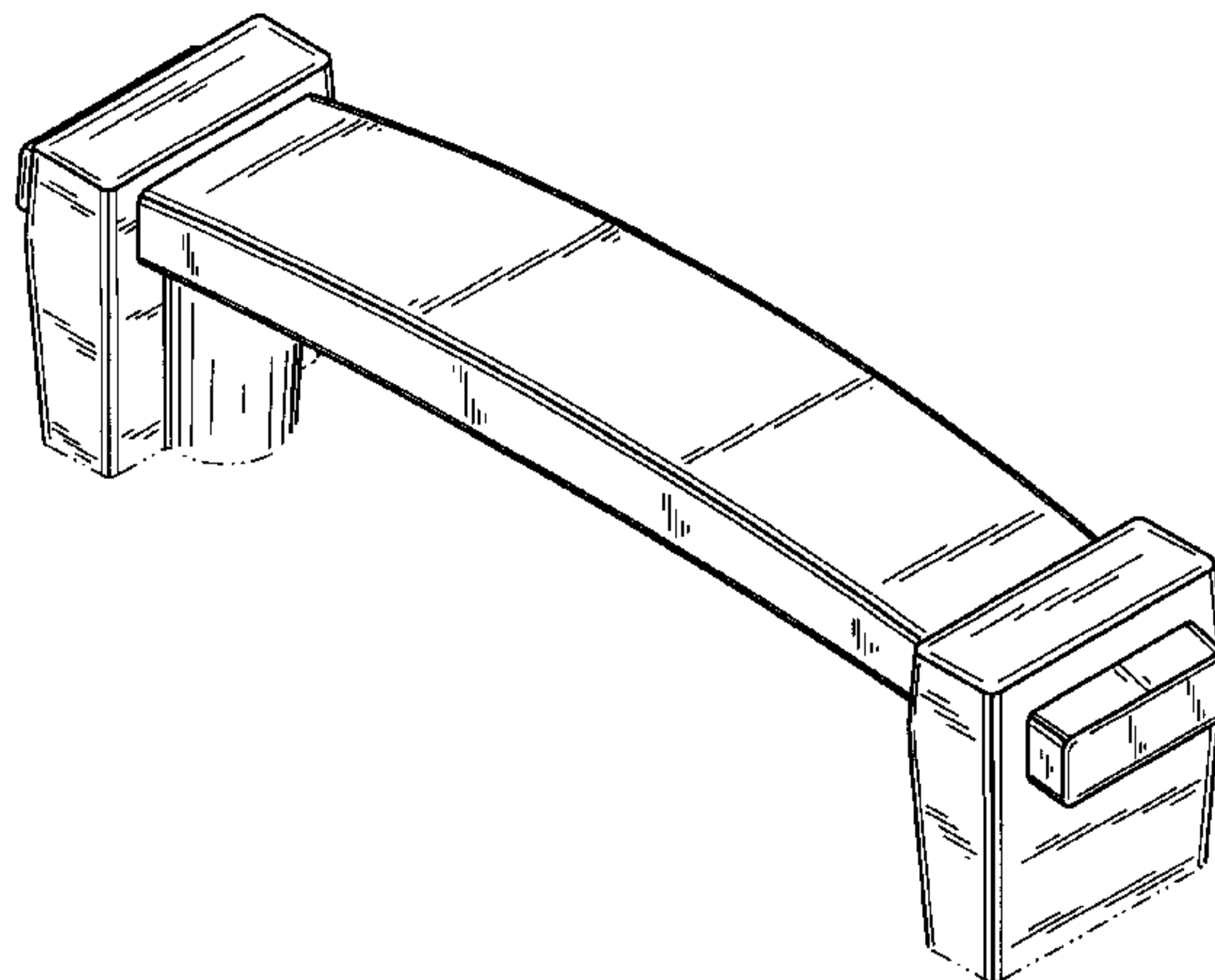
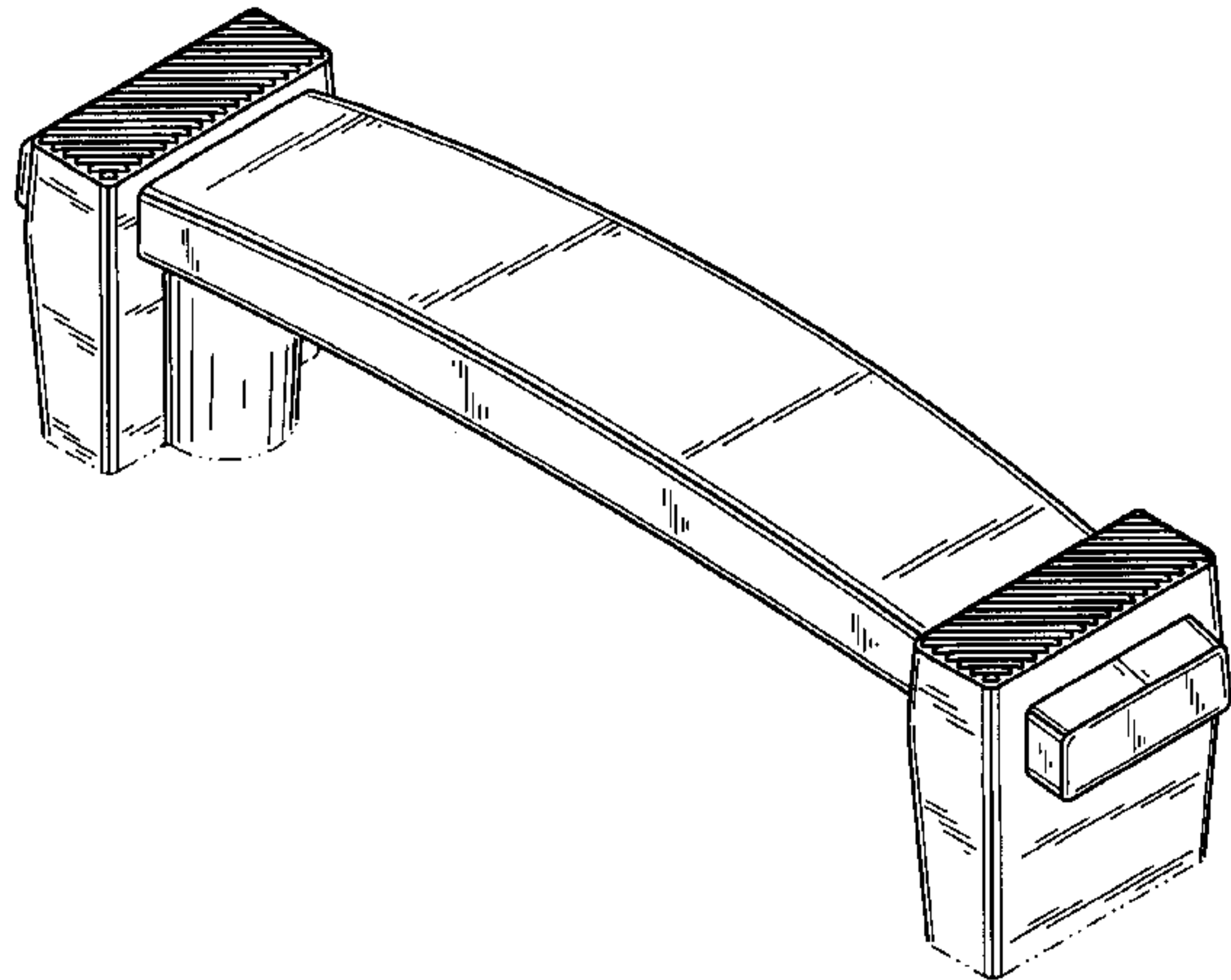
FIG. 7 is a top plan view of the pull as shown in FIG. 6.

FIG. 8 is a front elevation view of the pull as shown in FIG. 6; and,

FIG. 9 is a side elevation view of the pull as shown in FIG. 6.

The broken lines at the base of the stems and in the center of the bottom surface represent the bounds of the claim and all others are for illustrative purposes only. None of the broken lines form a part of the claimed design.

1 Claim, 3 Drawing Sheets



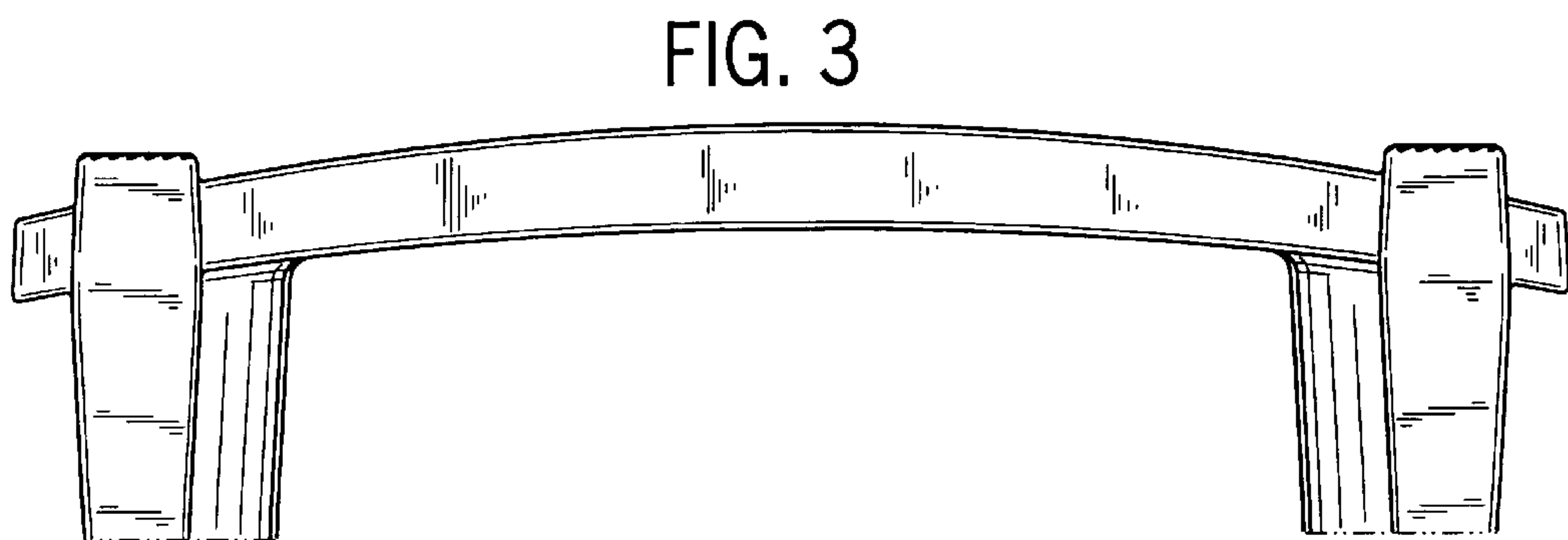
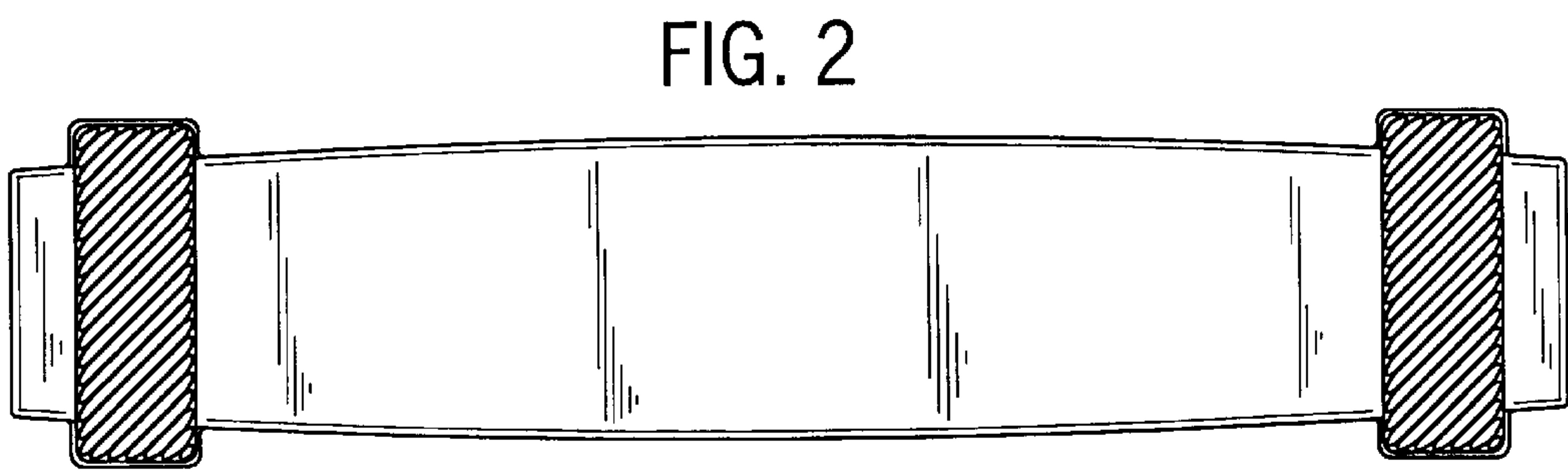
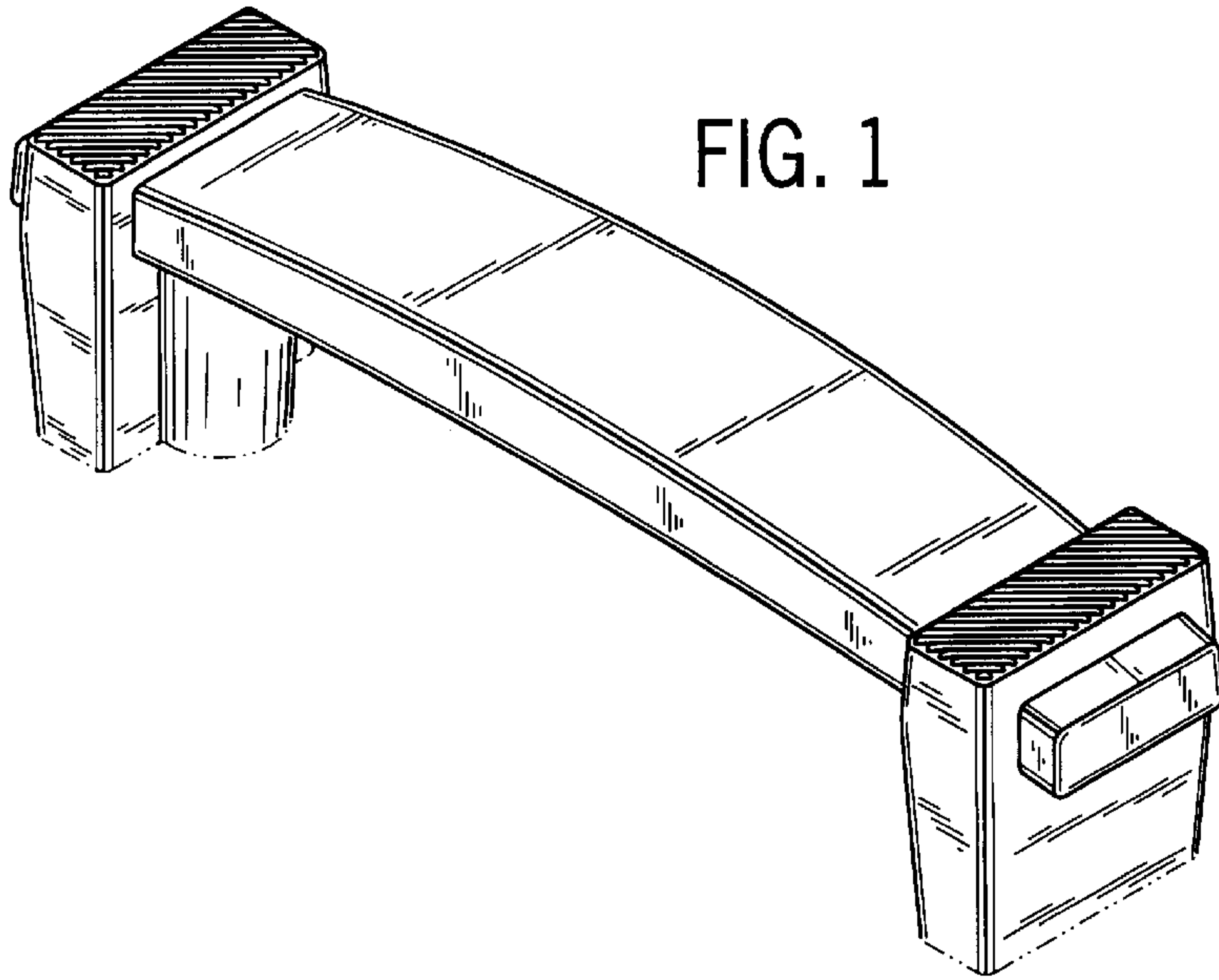


FIG. 4

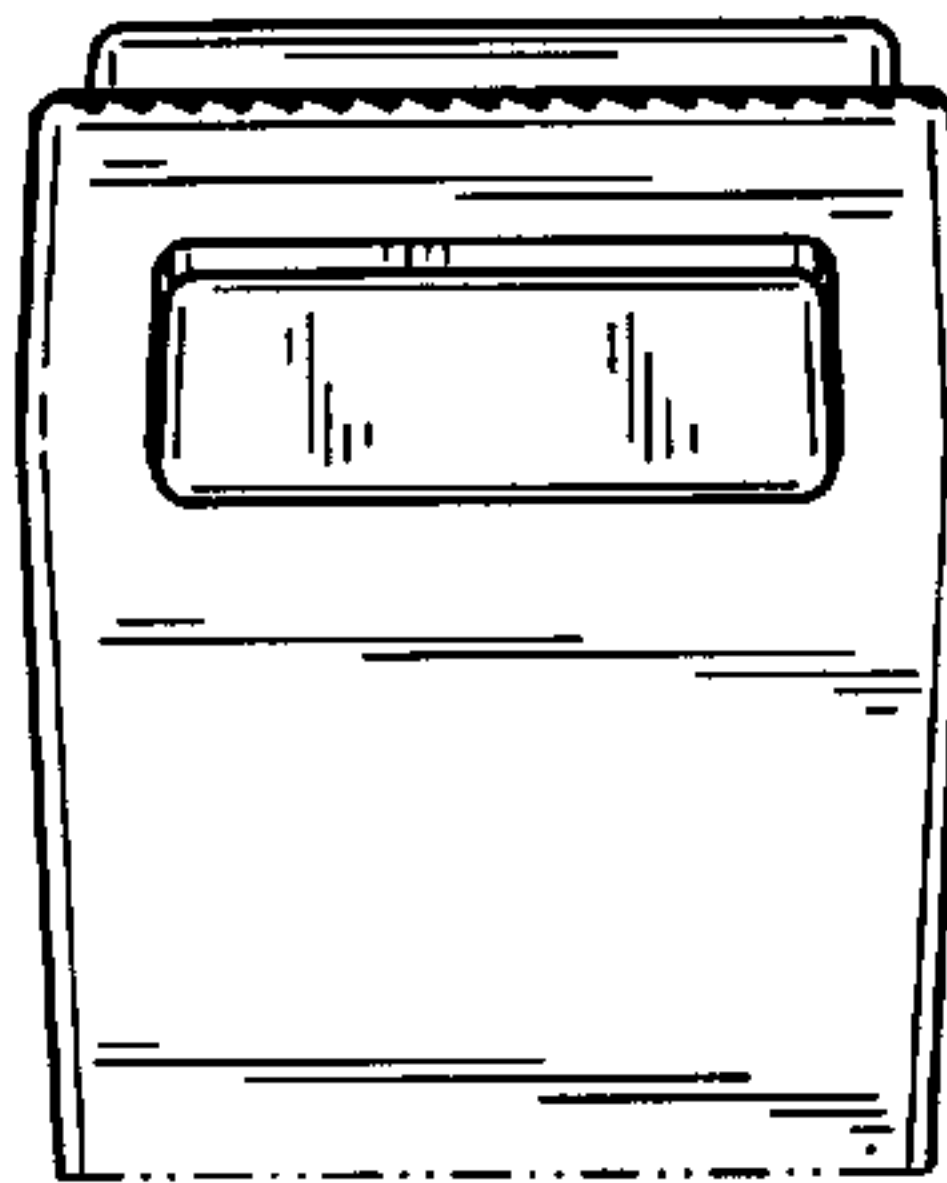
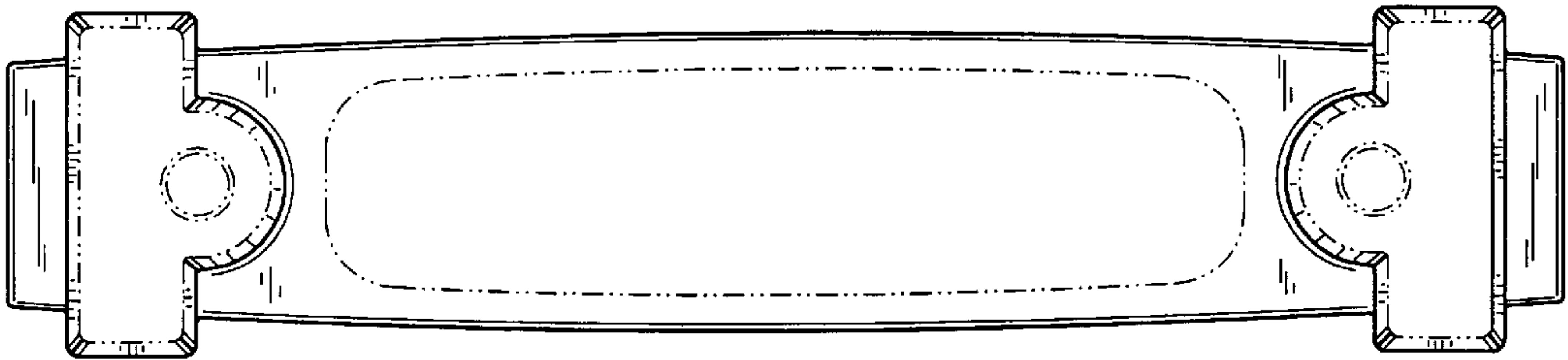


FIG. 5



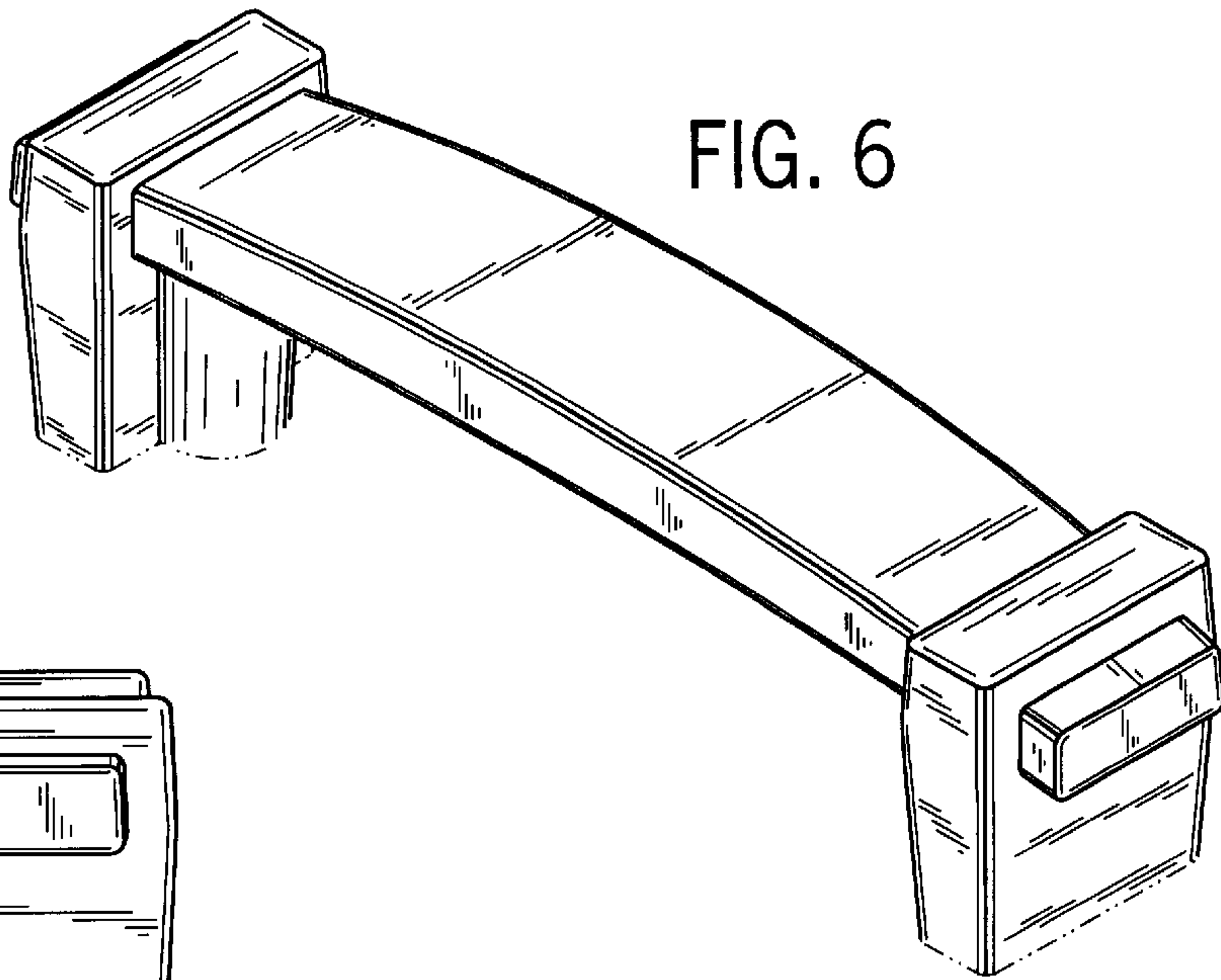


FIG. 6

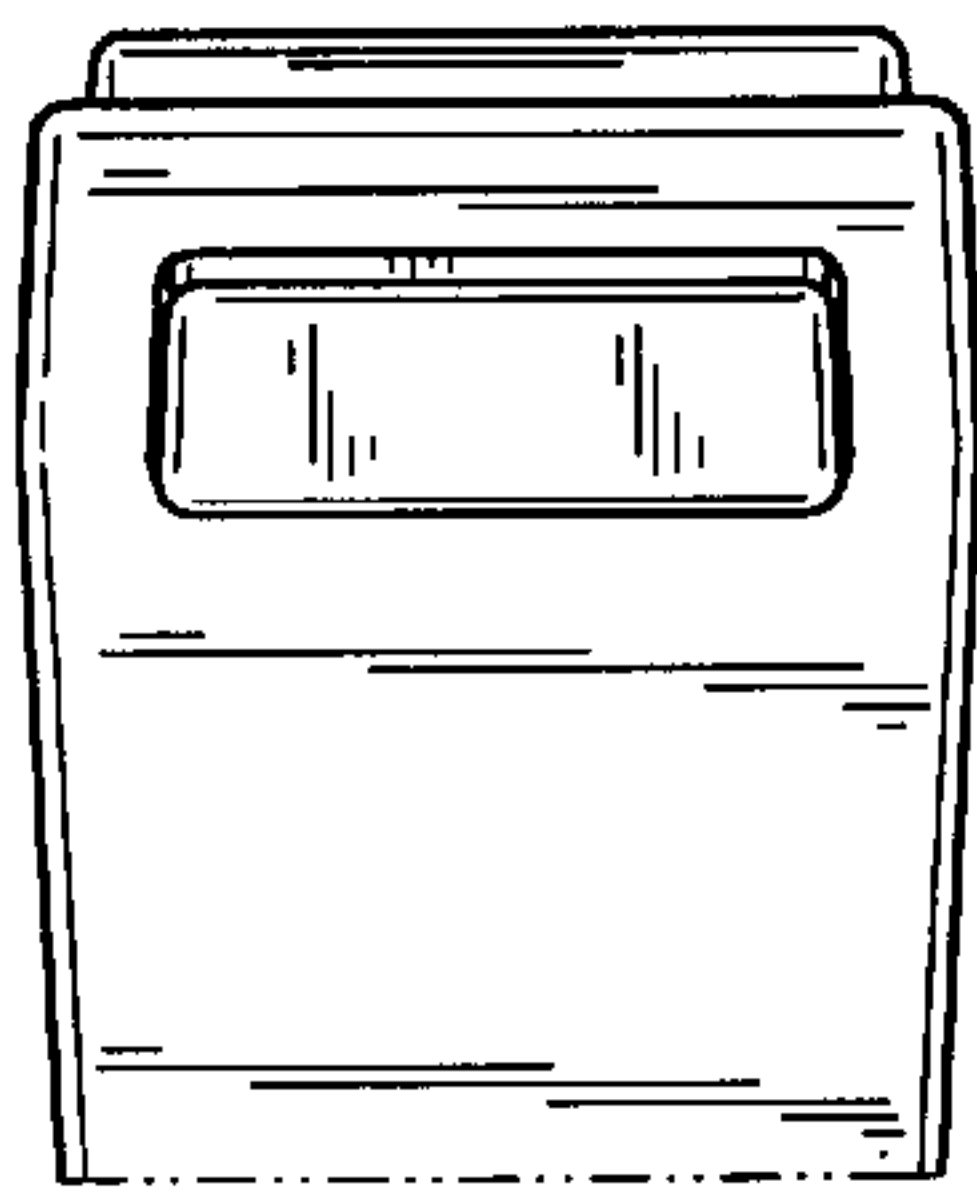


FIG. 9

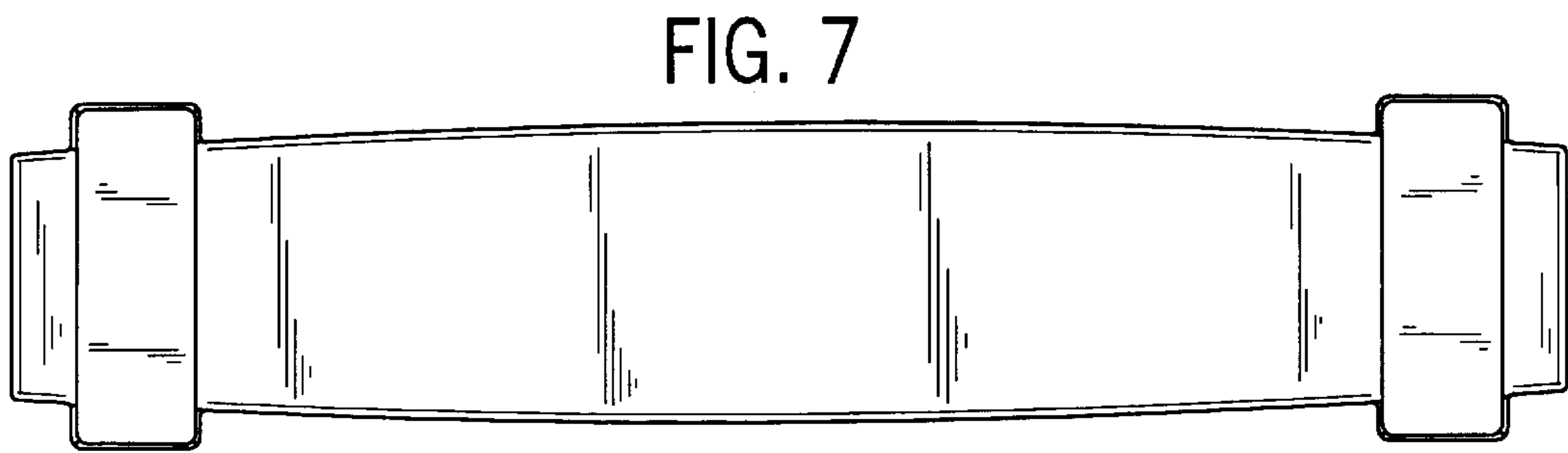


FIG. 7

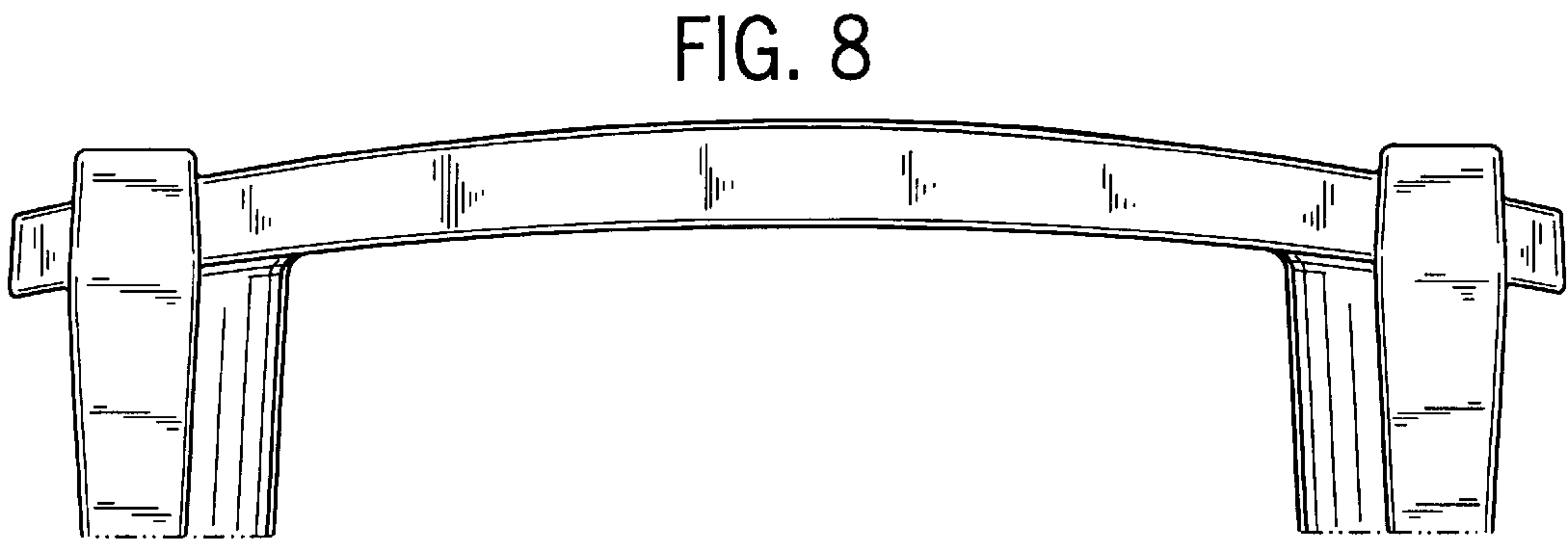


FIG. 8

UNITED STATES PATENT AND TRADEMARK OFFICE
CERTIFICATE OF CORRECTION

PATENT NO. : Des. 431,996
DATED : October 17, 2000
INVENTOR(S) : Short

Page 1 of 1

It is certified that error appears in the above-identified patent and that said Letters Patent is hereby corrected as shown below:

Delete "FIG. 8 is a front elevation view of the pull as shown in FIG. 6; and,"
and replace with --FIG. 8 is a front elevation view of the pull as shown in
FIG. 6.--

Signed and Sealed this
Third Day of July, 2001

Nicholas P. Godici

Attest:

Attesting Officer

NICHOLAS P. GODICI
Acting Director of the United States Patent and Trademark Office