



US00D431995S

United States Patent [19]
West

[11] **Patent Number: Des. 431,995**

[45] **Date of Patent: ** Oct. 17, 2000**

[54] **DRAWER PULL**

[75] Inventor: **Daniel C. K. West**, Grand Rapids, Mich.

[73] Assignee: **Anderson Hickey Company**, Henderson, Tex.

[**] Term: **14 Years**

[21] Appl. No.: **29/087,706**

[22] Filed: **May 7, 1998**

[51] **LOC (7) Cl.** **08-06**

[52] **U.S. Cl.** **D8/313**

[58] **Field of Search** D8/300, 313, 314;
16/110 R, 124

[56] **References Cited**

U.S. PATENT DOCUMENTS

- D. 142,942 11/1945 Borchers .
- D. 169,532 5/1953 Deadrick .
- D. 183,429 8/1958 Reynolds .

Primary Examiner—B. J. Bullock
Attorney, Agent, or Firm—Flynn, Thiel, Boutell & Tanis, P.C.

[57] **CLAIM**

The ornamental design for a drawer pull, as shown and described.

DESCRIPTION

FIG. 1 is a front view of a drawer pull embodying the design of this invention;

FIG. 2 is a top view of the drawer pull shown in FIG. 1; FIG. 3 is a side elevational view taken from the right side of FIG. 1, the left side being substantially a mirror image thereof;

FIG. 4 is a cross-sectional view taken generally along line 4—4 of FIG. 1;

FIG. 5 is a fragmentary enlargement of the upper portion of FIG. 4; and,

FIG. 6 illustrates the application of the drawer pull of the invention to a file drawer.

The drawer pull of this invention, when mounted on a drawer, is visible primarily only from the front side thereof, as shown in FIGS. 1 and 6. The other sides, including the back, are nonornamental and substantially hidden when mounted on a drawer and are therefore shown in broken lines in FIGS. 2 and 3.

The broken lines as appearing in FIG. 6 are solely for the purpose of illustrating environmental structure, and form no part of the inventive design.

1 Claim, 2 Drawing Sheets

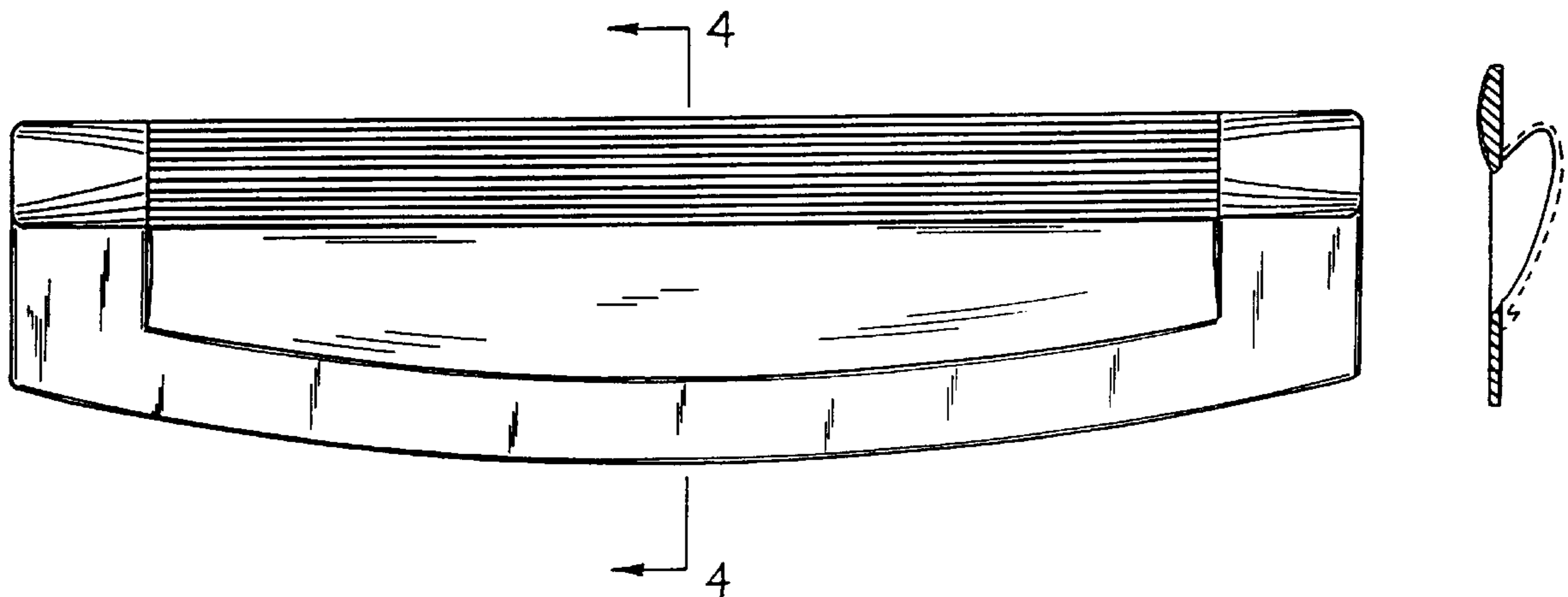


FIG. 5

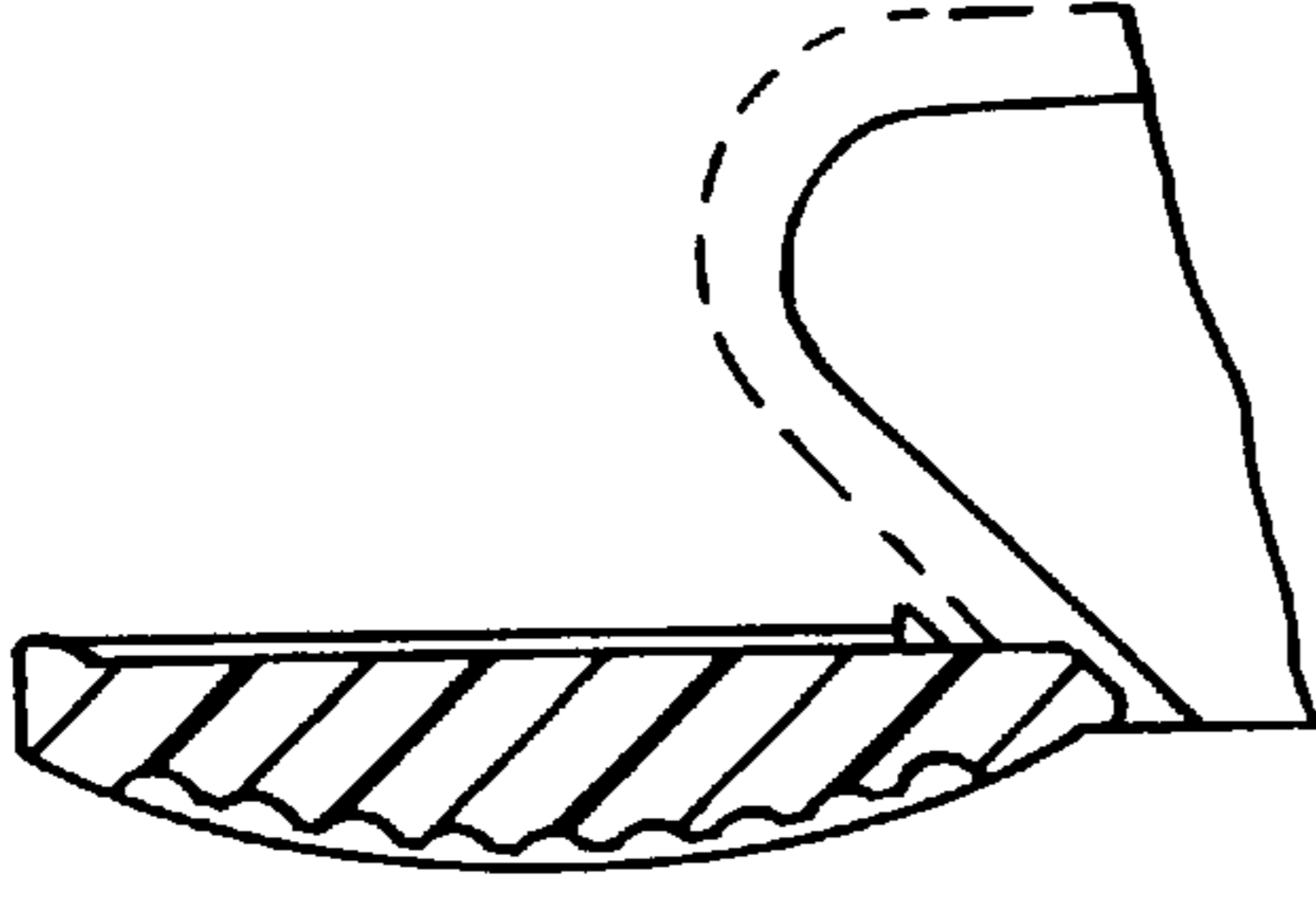


FIG. 2

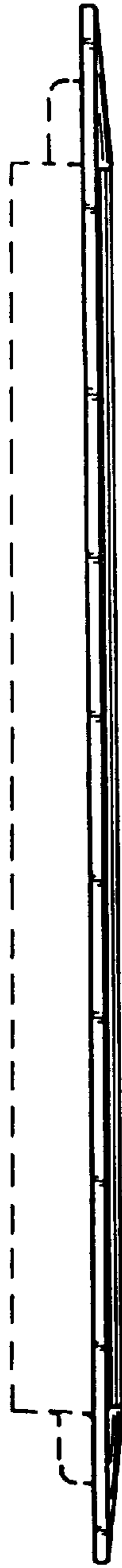


FIG. 1

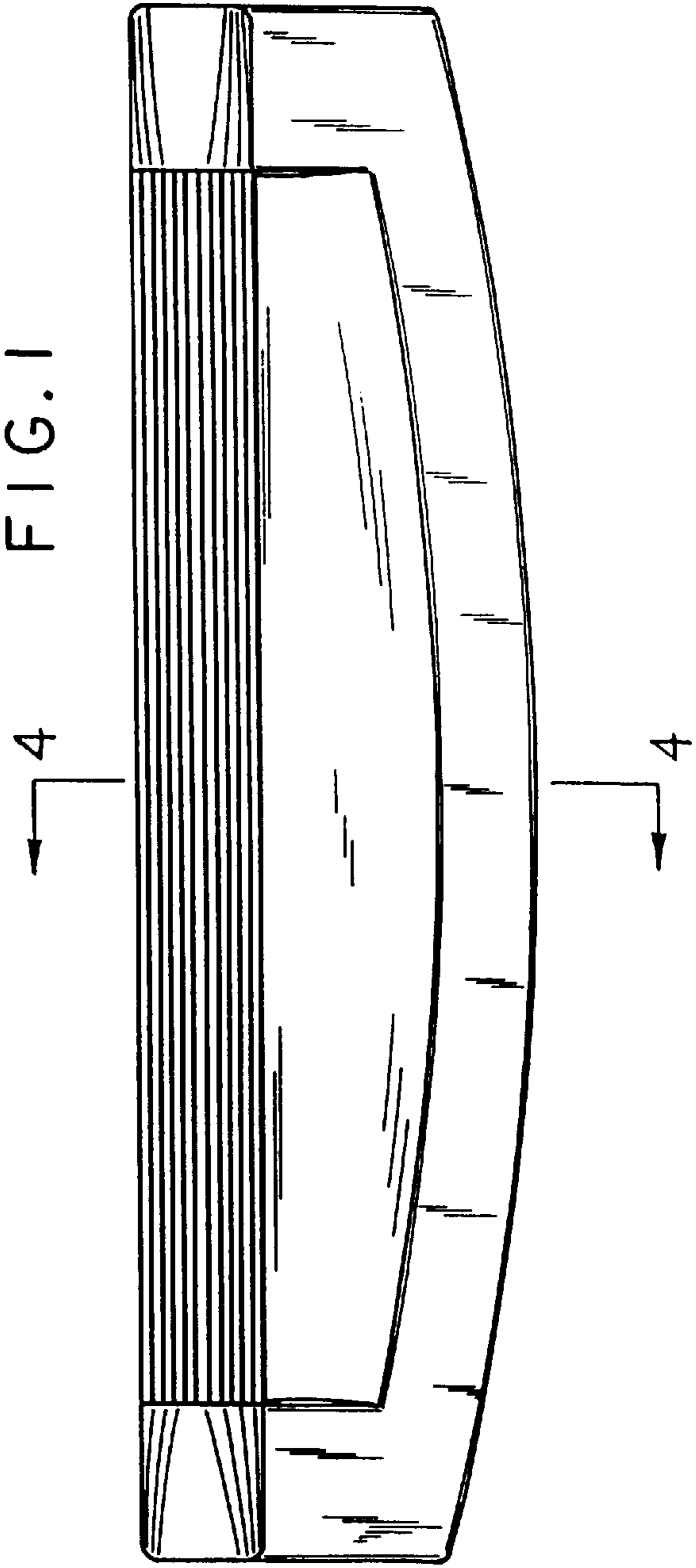
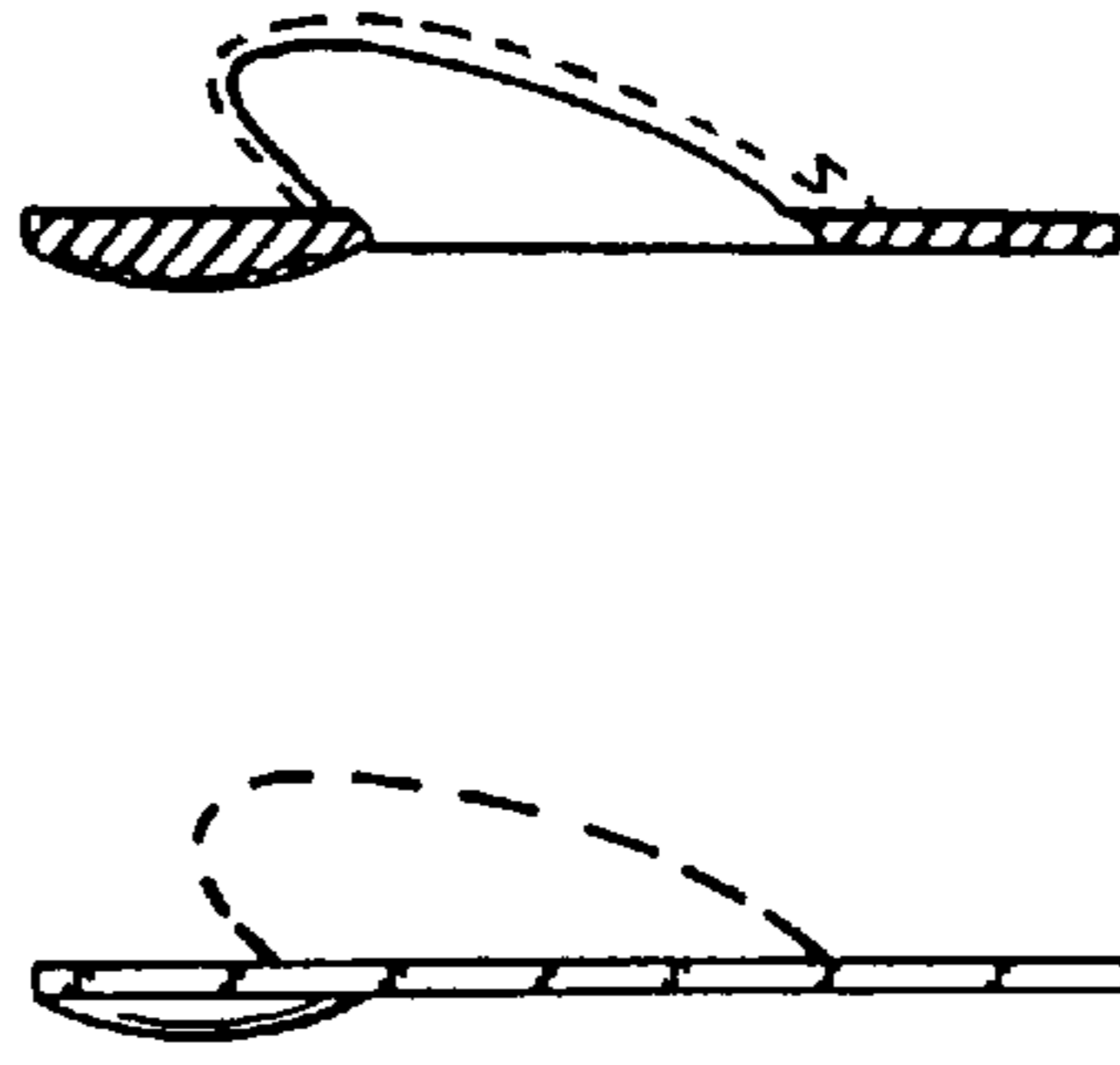


FIG. 3 FIG. 4



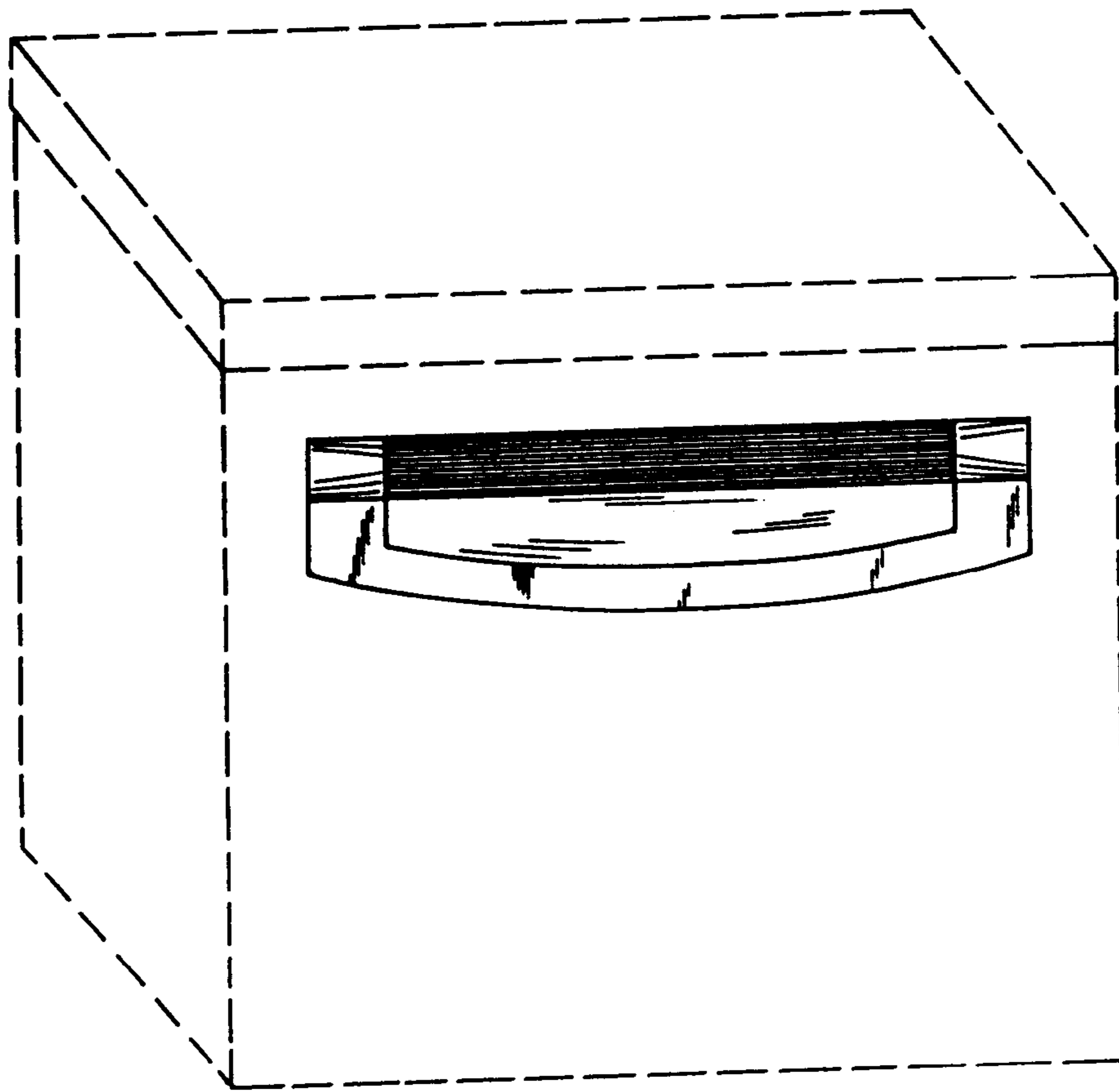


FIG. 6