



US00D431992S

United States Patent [19]

Foley, Jr.

[11] Patent Number: **Des. 431,992**

[45] Date of Patent: **** Oct. 17, 2000**

[54] SAFETY HANDLE FOR PIPE TONG

[76] Inventor: **Lawrence E. Foley, Jr.**, 203 Beau Pre Rd., Lafayette, La. 70508

[**] Term: **14 Years**

[21] Appl. No.: **29/104,410**

[22] Filed: **May 4, 1999**

[51] LOC (7) Cl. **08-05**

[52] U.S. Cl. **D8/107**

[58] Field of Search D8/107, 300, 303, D8/DIG. 7, DIG. 8; 16/110.1, 422, 430, 431; 81/57.34, 177.1, 489; D21/681, 682; 294/86.4

[56] **References Cited**

U.S. PATENT DOCUMENTS

D. 279,495	7/1985	Barbeau	D21/681
3,703,111	11/1972	Guier	81/57.34
3,799,009	3/1974	Guier	81/57.34
5,333,925	8/1994	Foley, Jr.	294/86.4

Primary Examiner—Alan P. Douglas
Assistant Examiner—Reid Hecker
Attorney, Agent, or Firm—Jesse D. Lambert

[57] **CLAIM**

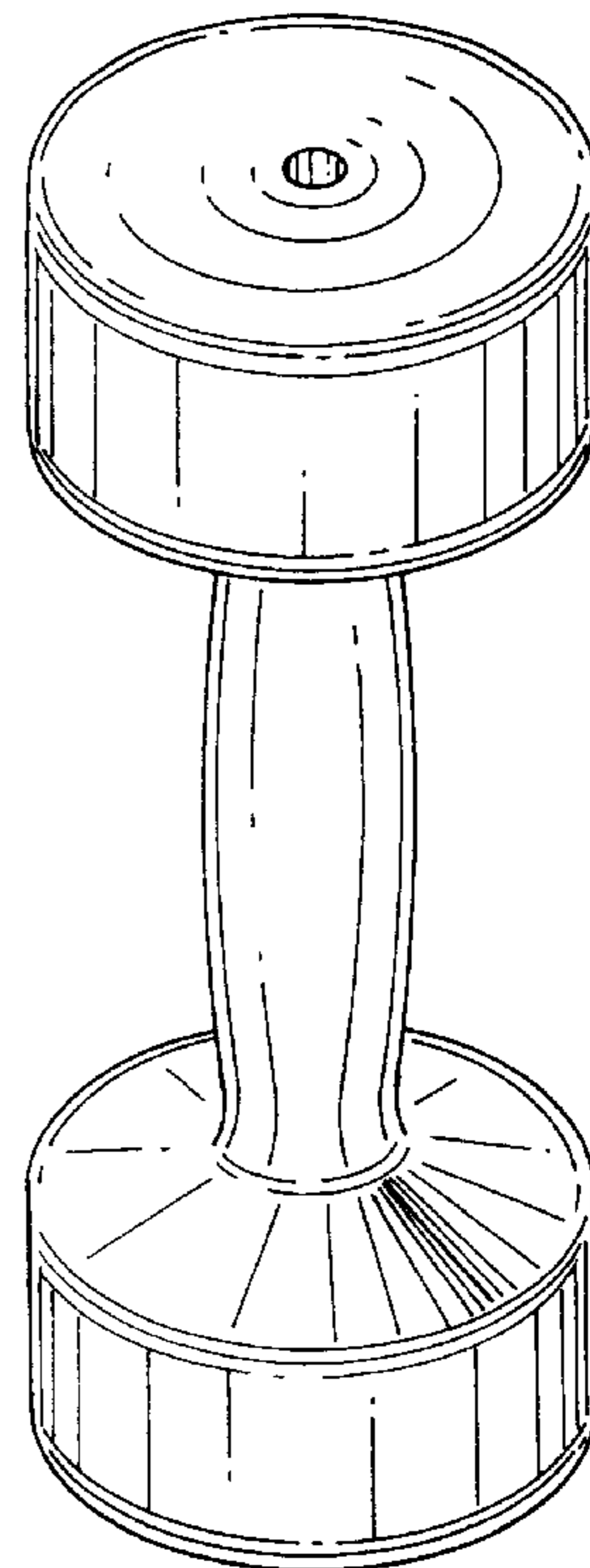
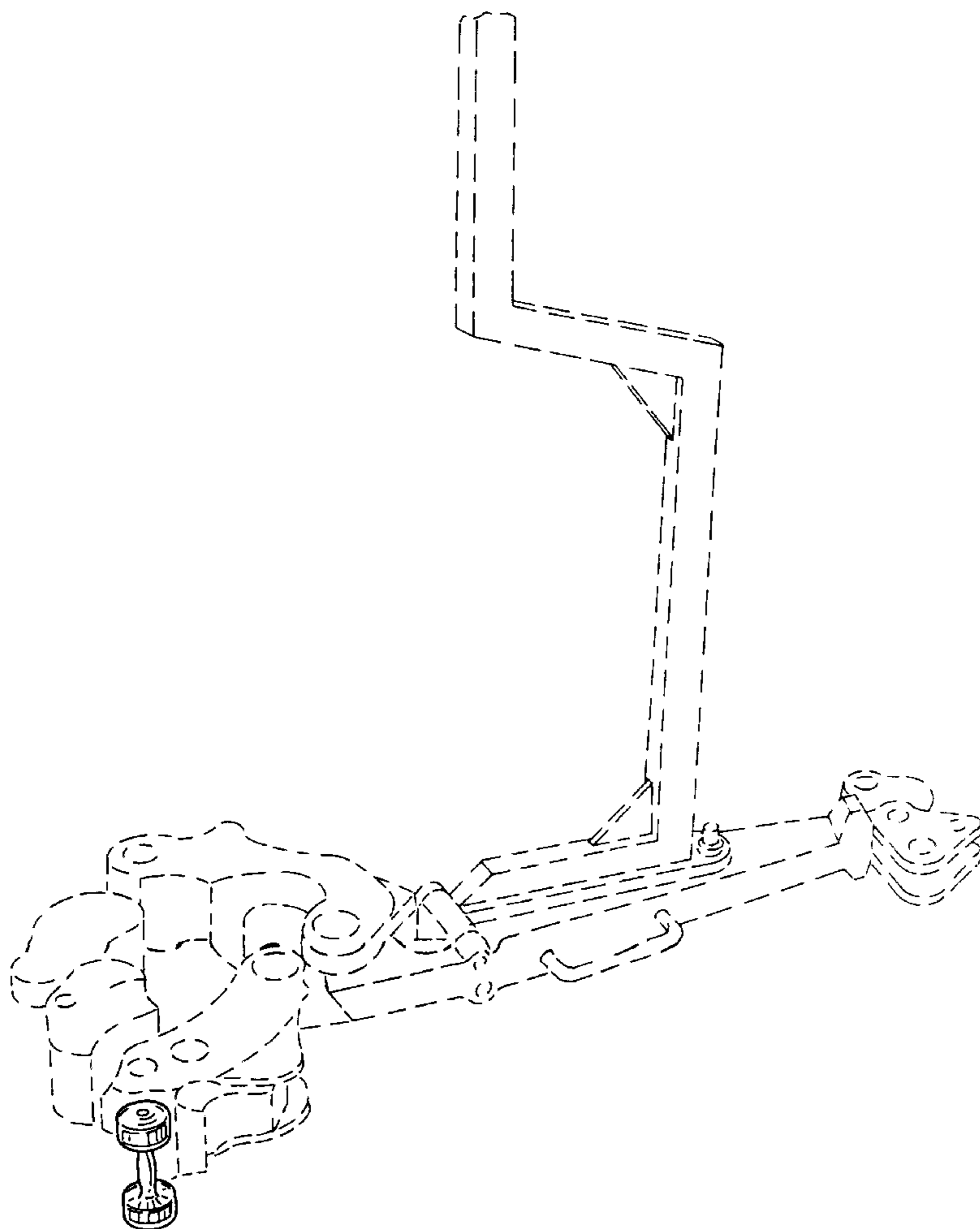
The ornamental design for a safety handle for pipe tong, as shown and described.

DESCRIPTION

FIG. 1 is a perspective view of this design, showing the safety handle mounted on a pipe tong.
FIG. 2 is a perspective view of this design.
FIG. 3 is a front view of this design.
FIG. 4 is a right side view of this design, the left side view being a mirror image thereof.
FIG. 5 is a rear view of this design; and,
FIG. 6 is a top view of this design, the bottom view being a mirror image thereof.

The broken line showing of a pipe tong in FIG. 1 is for illustrative purposes only and forms no part of the claimed design.

1 Claim, 2 Drawing Sheets



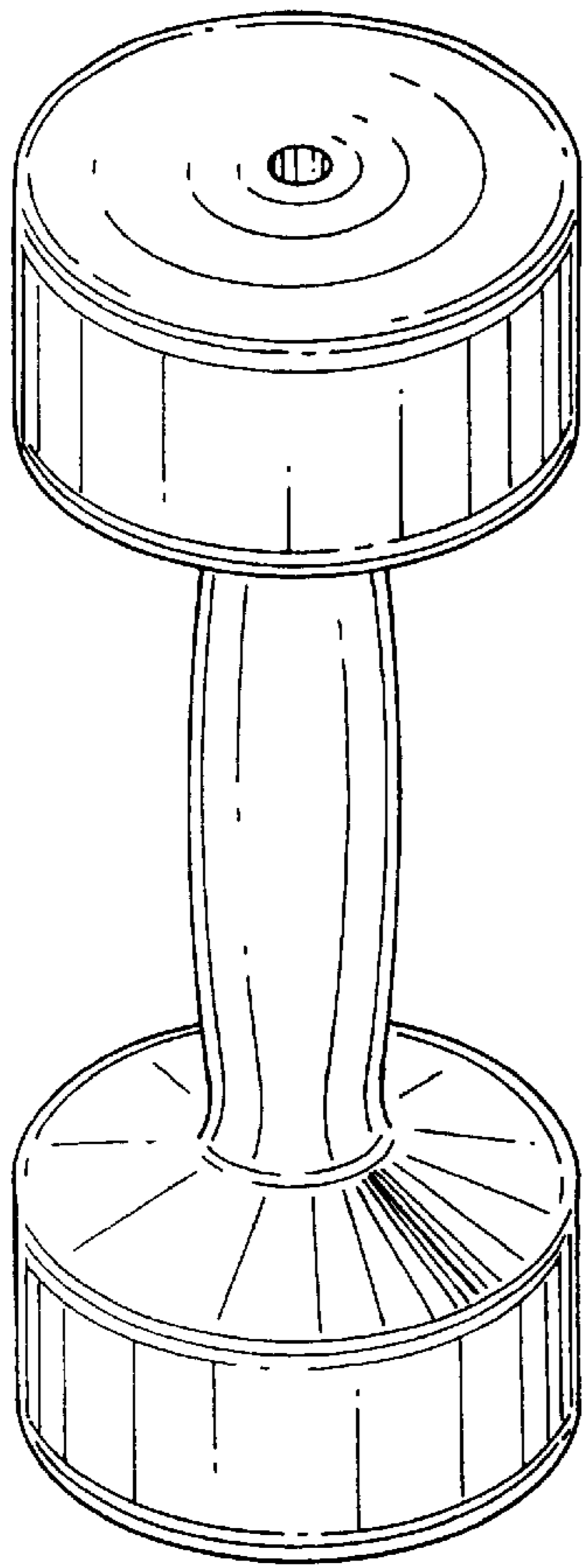


FIG. 2

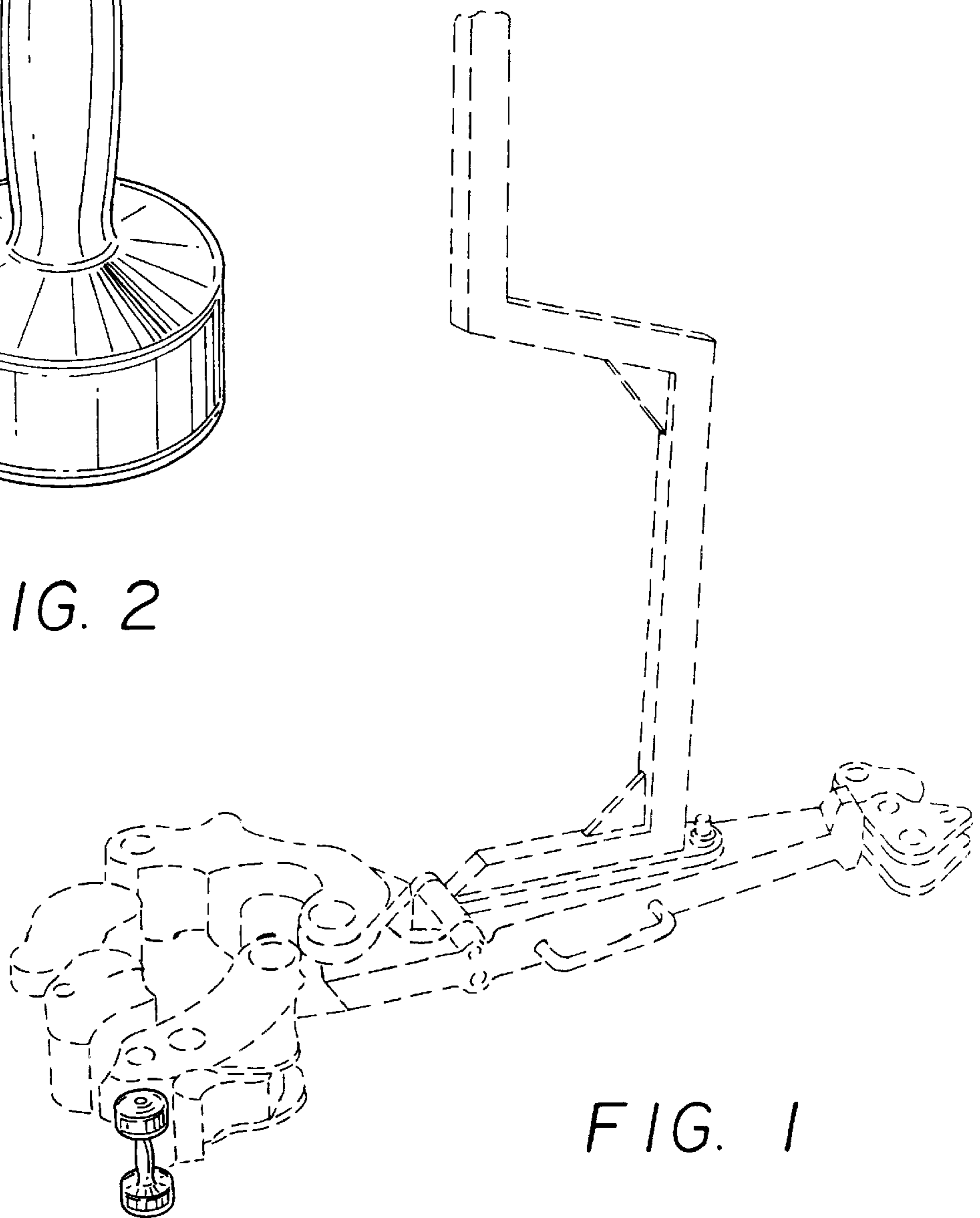


FIG. 1

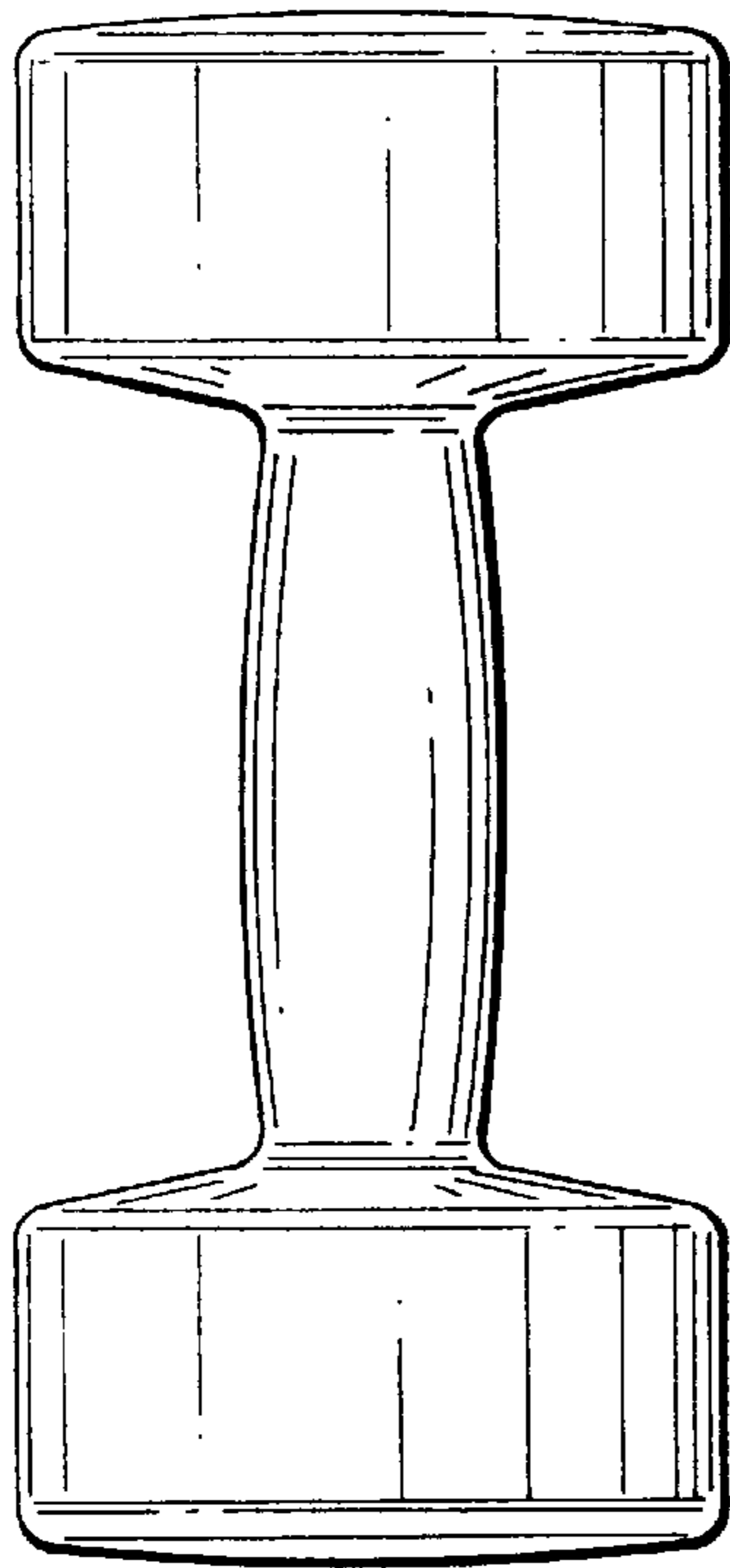


FIG. 3

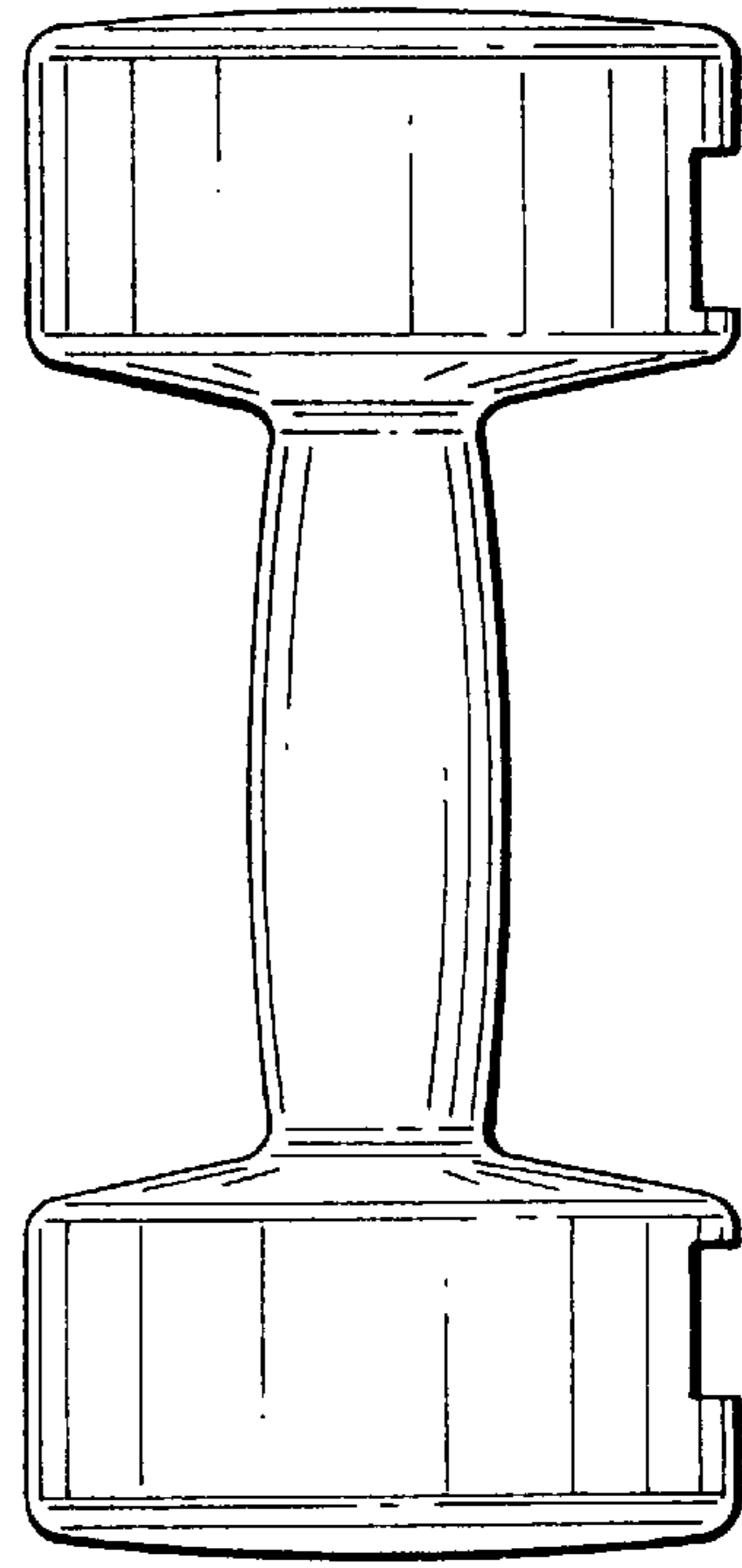


FIG. 4

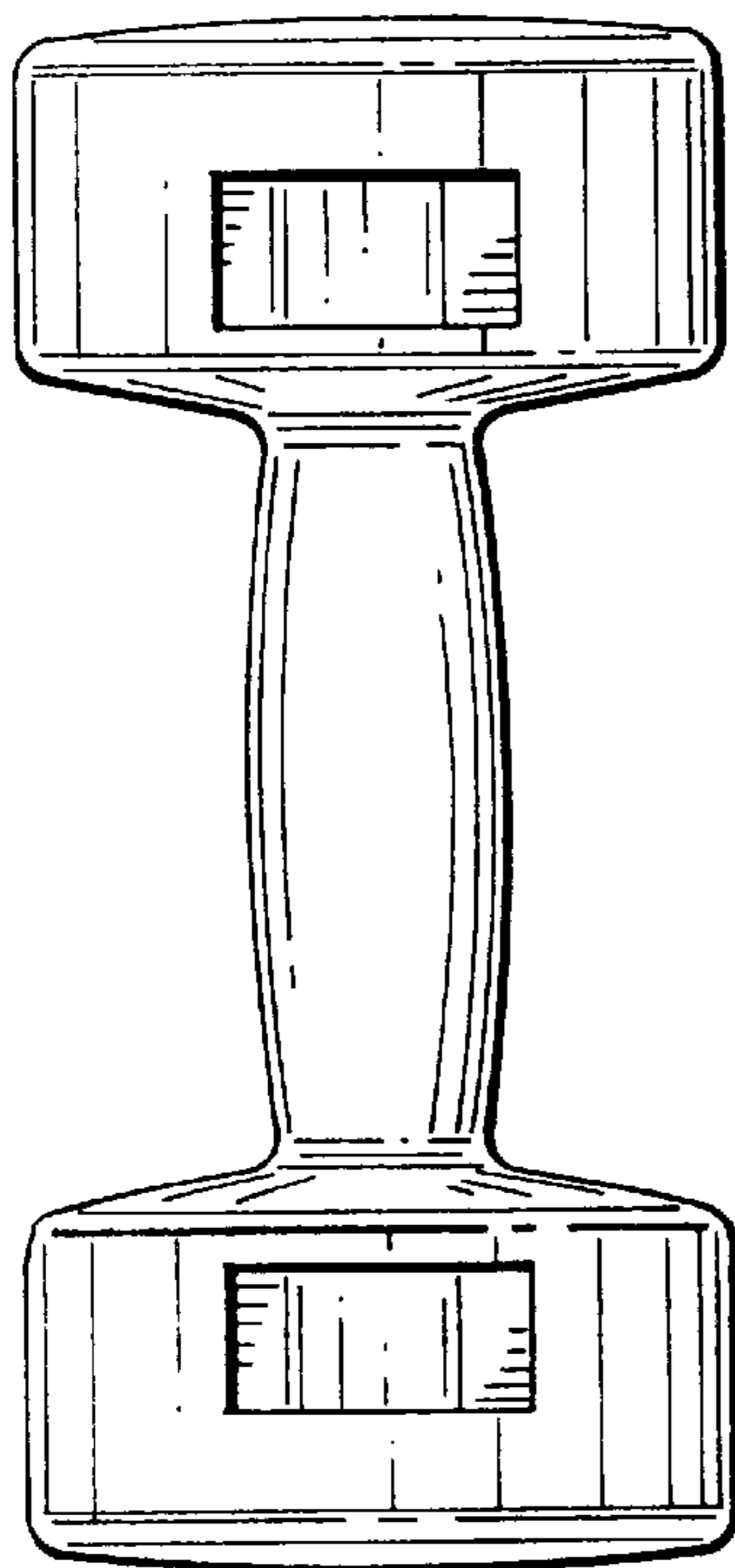


FIG. 5

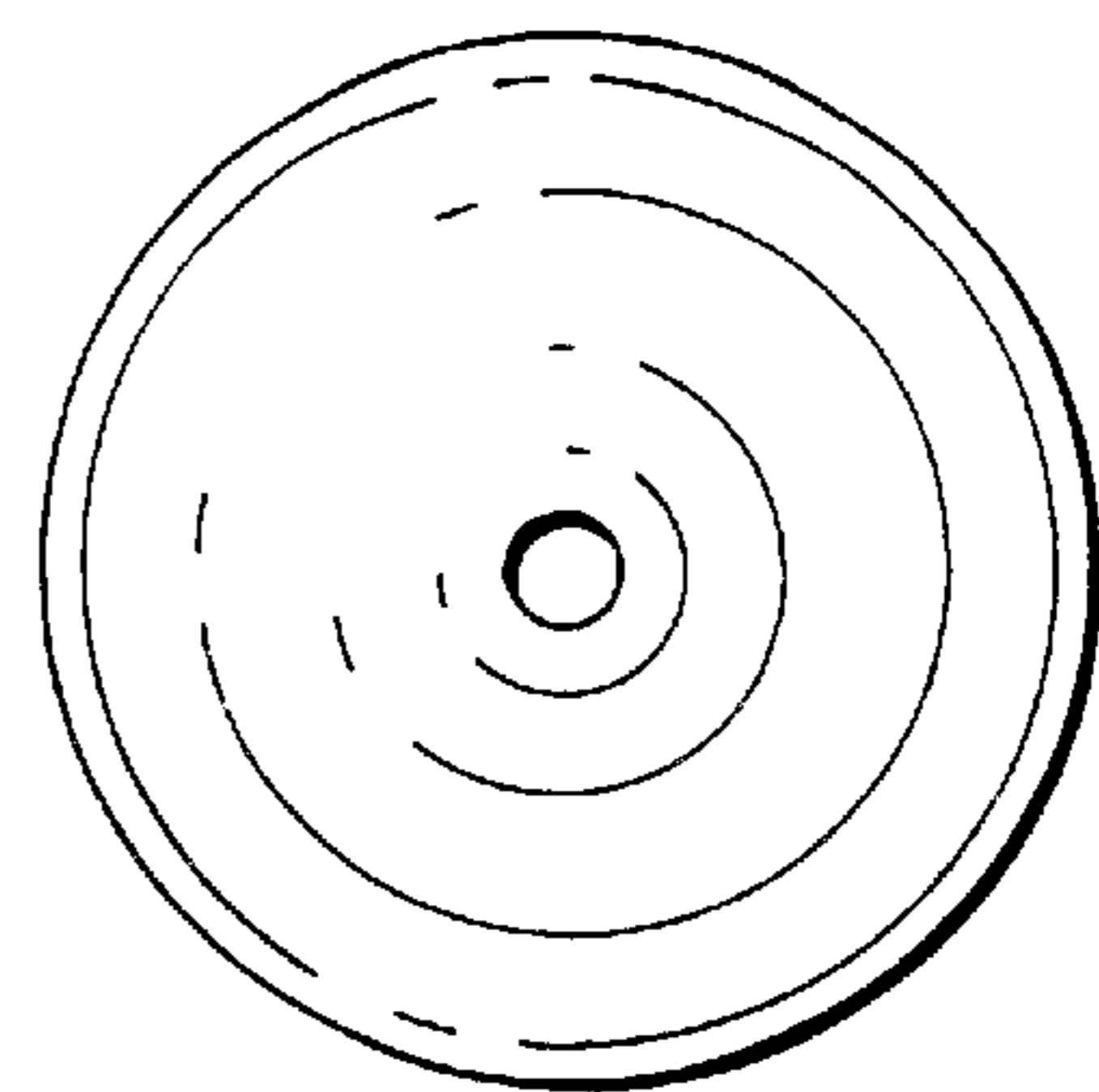


FIG. 6