



US00D431982S

United States Patent [19]
Nyberg

[11] **Patent Number: Des. 431,982**

[45] **Date of Patent: ** Oct. 17, 2000**

[54] **VALVE HANDLE WRENCH**

2,895,364 7/1959 Heinz 81/177.1

[76] Inventor: **John W. Nyberg**, 17410 Darden Rd.,
South Bend, Ind. 46635

Primary Examiner—Richelle Shelton
Attorney, Agent, or Firm—James D. Hall

[**] Term: **14 Years**

[57] **CLAIM**

[21] Appl. No.: **29/117,124**

The ornamental design for a valve handle wrench, as shown
and described.

[22] Filed: **Jan. 18, 2000**

DESCRIPTION

[51] **LOC (7) Cl.** **08-05**

[52] **U.S. Cl.** **D8/21; D8/29**

[58] **Field of Search** D8/14, 21, 28,
D8/29; 81/119, 121.1, 125, 177.1

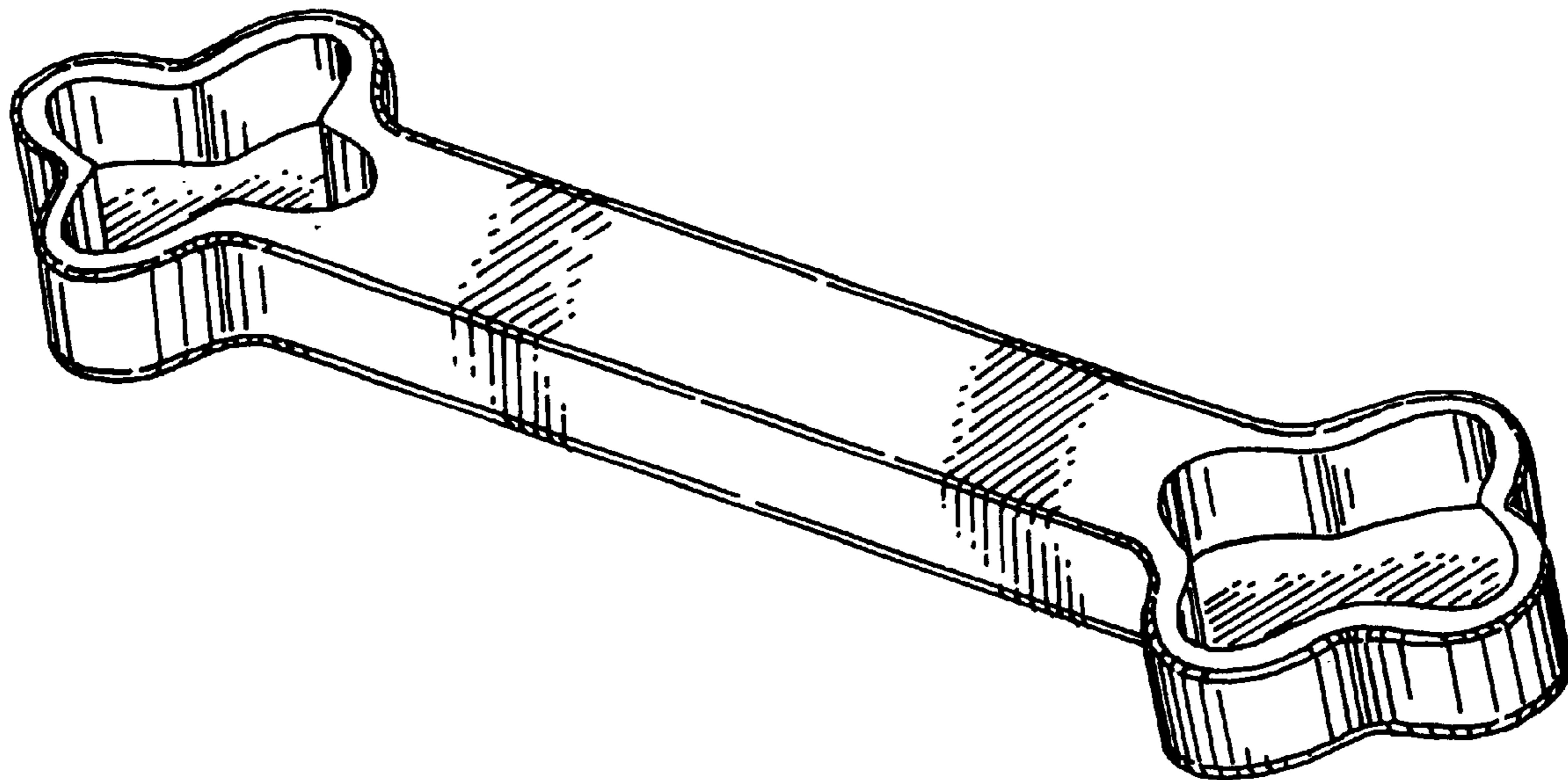
FIG. 1 is a top and side perspective view of a valve handle
wrench showing my new design;
FIG. 2 is a top plan view thereof;
FIG. 3 is a side view thereof, the opposite side being a mirror
image;
FIG. 4 is a bottom plan view thereof; and,
FIG. 5 is one end view thereof, the opposite end view being
a mirror image.

[56] **References Cited**

U.S. PATENT DOCUMENTS

- D. 222,849 1/1972 Heaver D8/21
- D. 344,437 2/1994 Cleland et al. D8/21
- D. 396,787 8/1998 Farnan D8/29

1 Claim, 1 Drawing Sheet



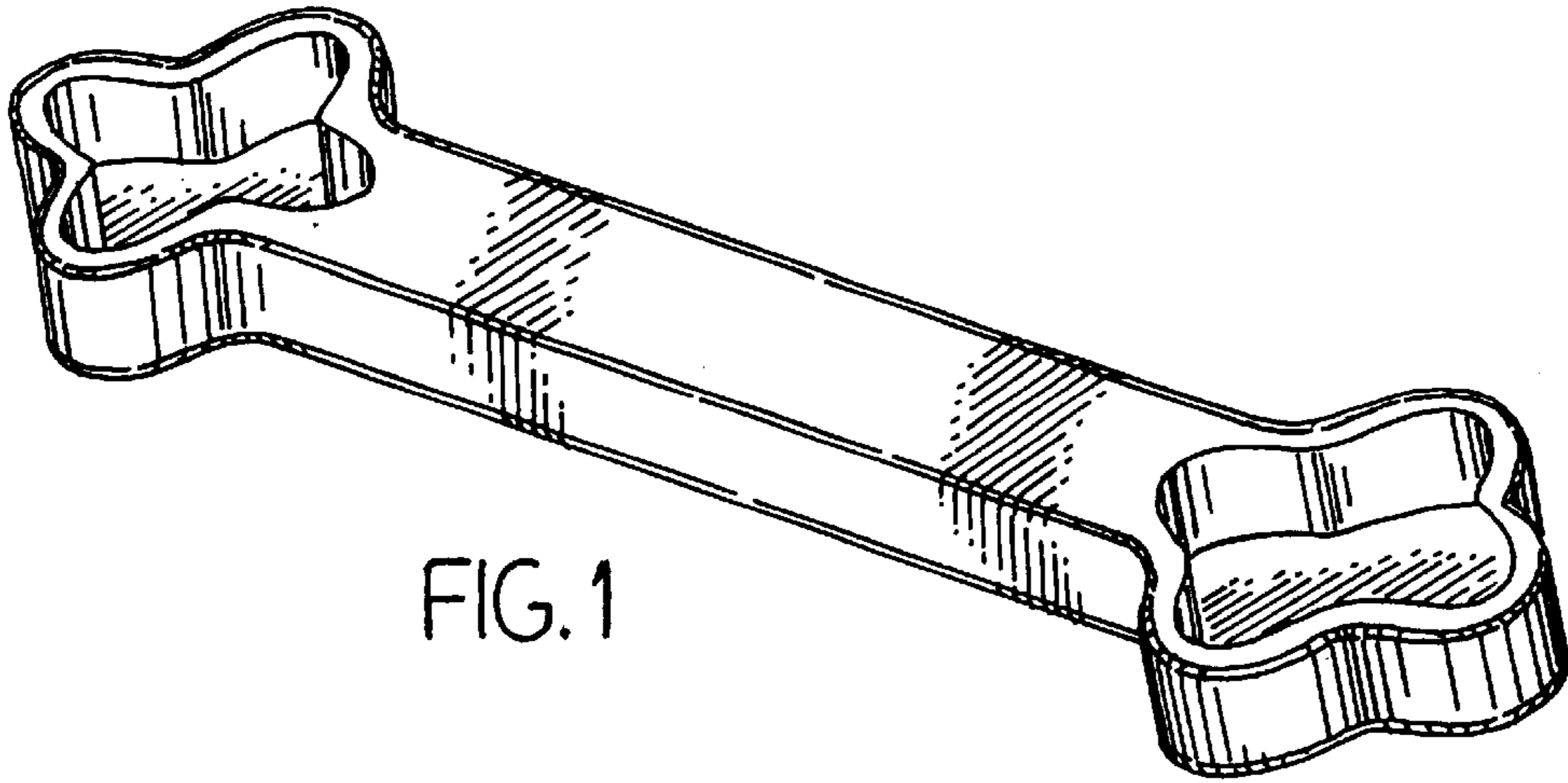


FIG. 1

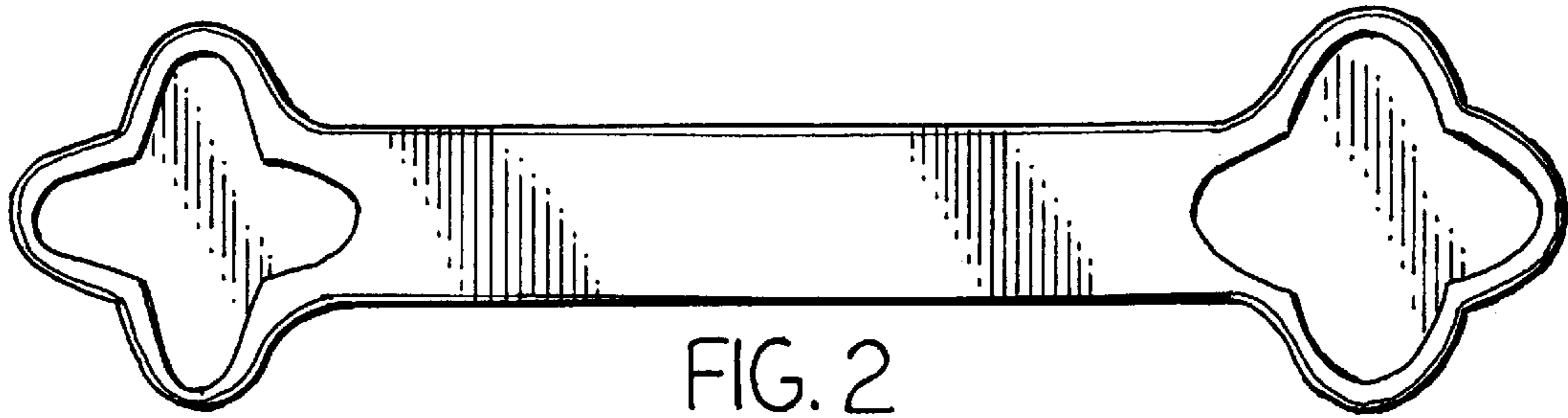


FIG. 2



FIG. 3

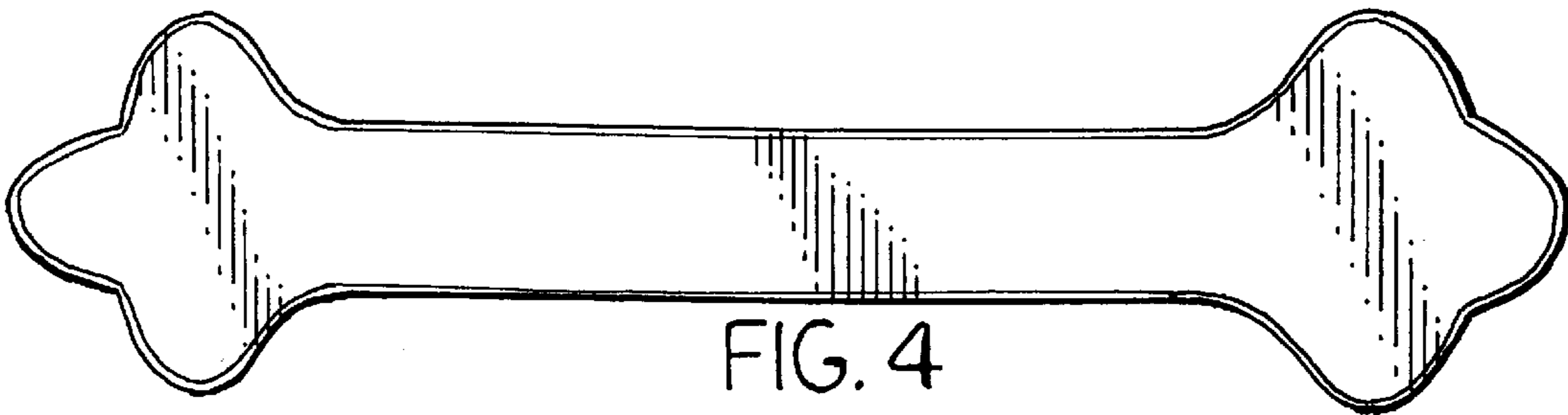


FIG. 4

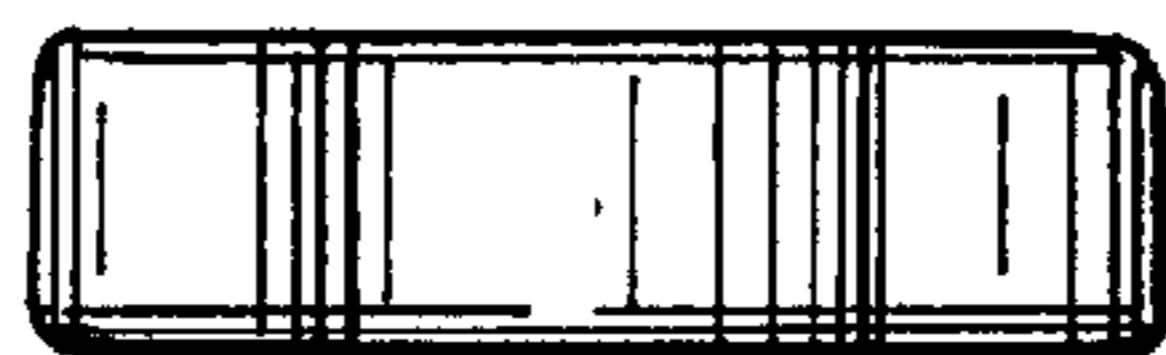


FIG. 5