



US00D431981S

# United States Patent [19]

Aparnieks

[11] **Patent Number: Des. 431,981**

[45] **Date of Patent: \*\* Oct. 17, 2000**

[54] **WRENCH ADAPTOR FOR CONFINED SPACES**

[76] Inventor: **Eric Aparnieks, 3100 S. 149th St., New Berlin, Wis. 53151**

[\*\*] Term: **14 Years**

[21] Appl. No.: **29/108,400**

[22] Filed: **Jul. 27, 1999**

[51] **LOC (7) Cl. .... 08-05**

[52] **U.S. Cl. .... D8/21; D8/27**

[58] **Field of Search .... D8/21, 27, 29; 81/176.1, 176.15, 176.2, 177.2**

[56] **References Cited**

**U.S. PATENT DOCUMENTS**

D. 175,493	9/1955	Brame	.....	D6/27
2,605,665	8/1952	Grenat	.....	D8/29 X
3,039,339	6/1962	Hanson	.....	81/177.2

*Primary Examiner*—Richelle Shelton  
*Attorney, Agent, or Firm*—Donald J. Ersler

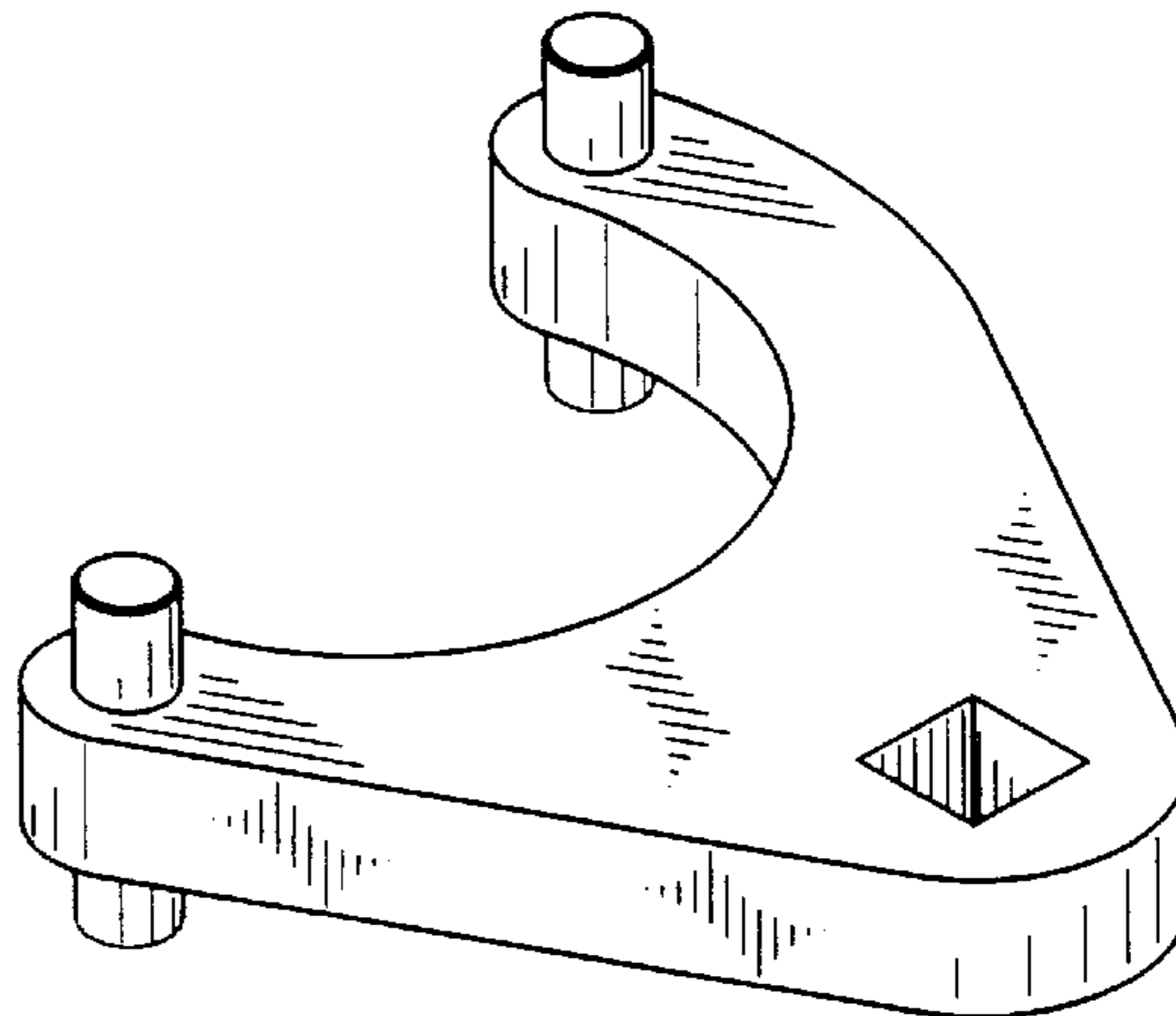
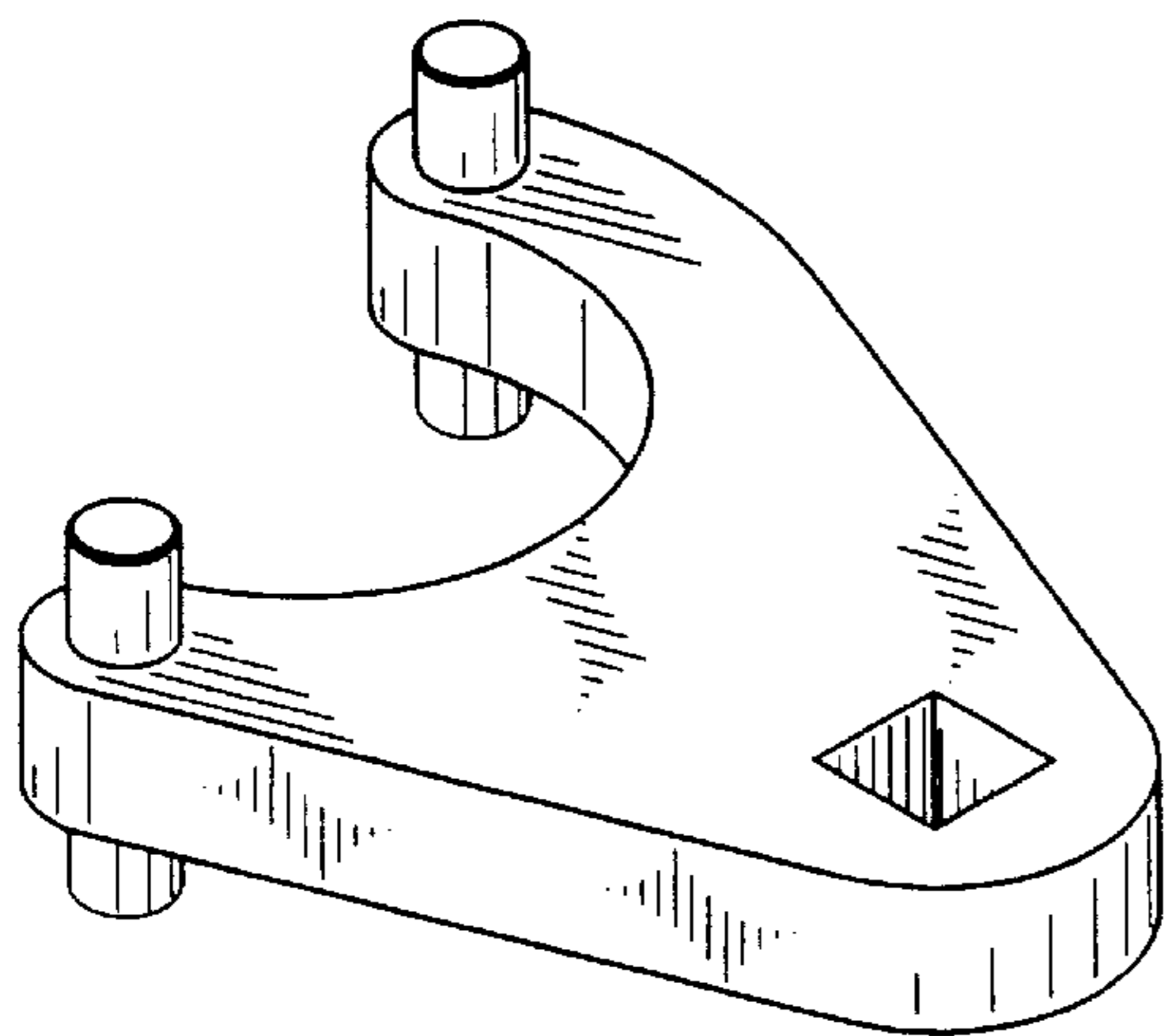
[57] **CLAIM**

The ornamental design for a wrench adaptor for confined spaces, as shown and described.

**DESCRIPTION**

FIG. 1 is a perspective view of a wrench adaptor for confined spaces incorporating my new design; FIG. 2 is a bottom plan view thereof; FIG. 3 is a top plan view thereof; FIG. 4 is a right elevation view thereof; FIG. 5 is a left elevation view thereof; FIG. 6 is a rear elevation view thereof; FIG. 7 is a front elevation view thereof; FIG. 8 is a perspective view of the alternative embodiment; FIG. 9 is a bottom plan view of the alternative embodiment; FIG. 10 is a top plan view of the alternative embodiment; FIG. 11 is a right elevation view of the alternative embodiment; FIG. 12 is a left elevation view of the alternative embodiment; FIG. 13 is a rear elevation view of the alternative embodiment; and, FIG. 14 is a front elevation view of the alternative embodiment.

**1 Claim, 3 Drawing Sheets**



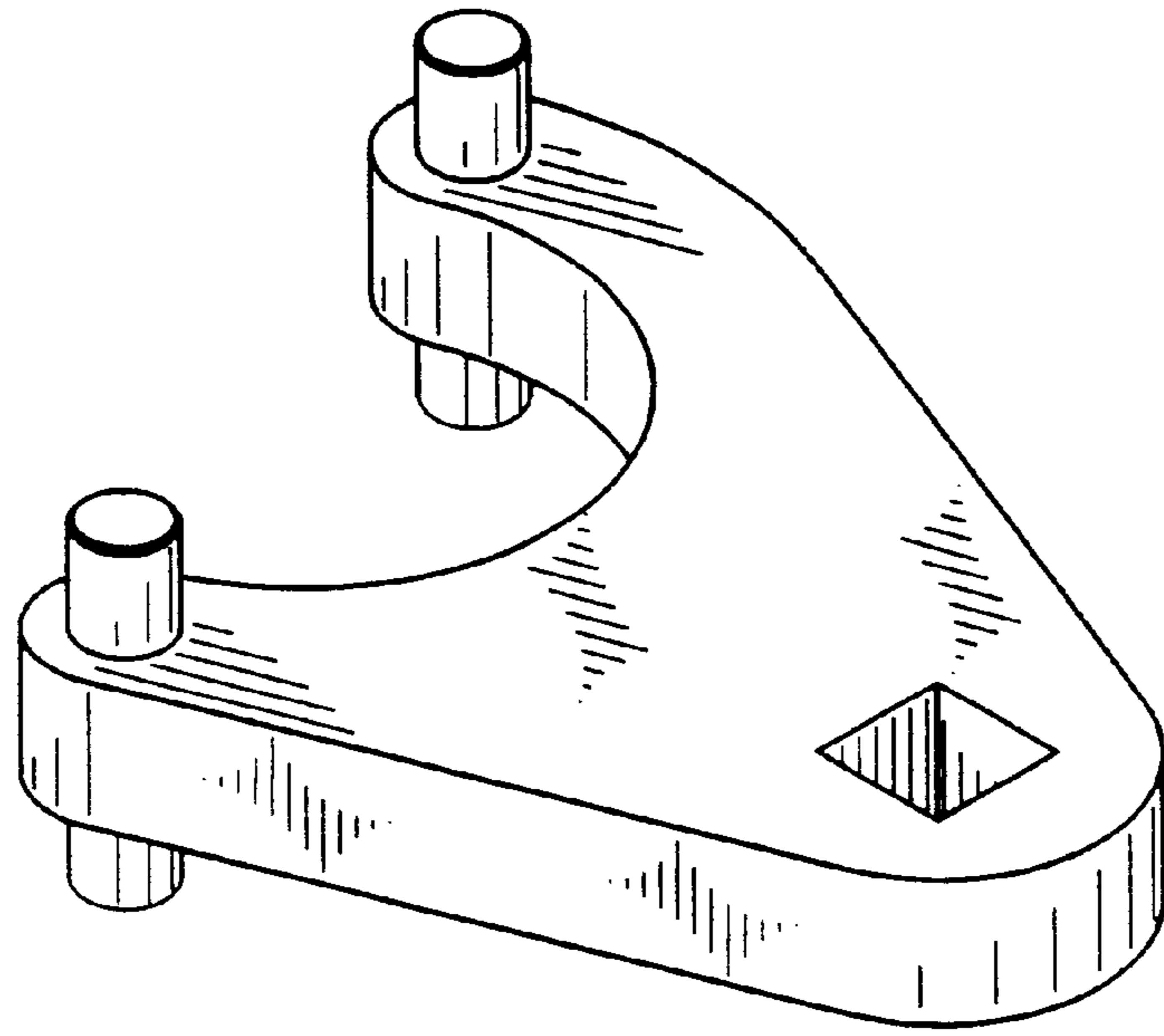


FIG. 1

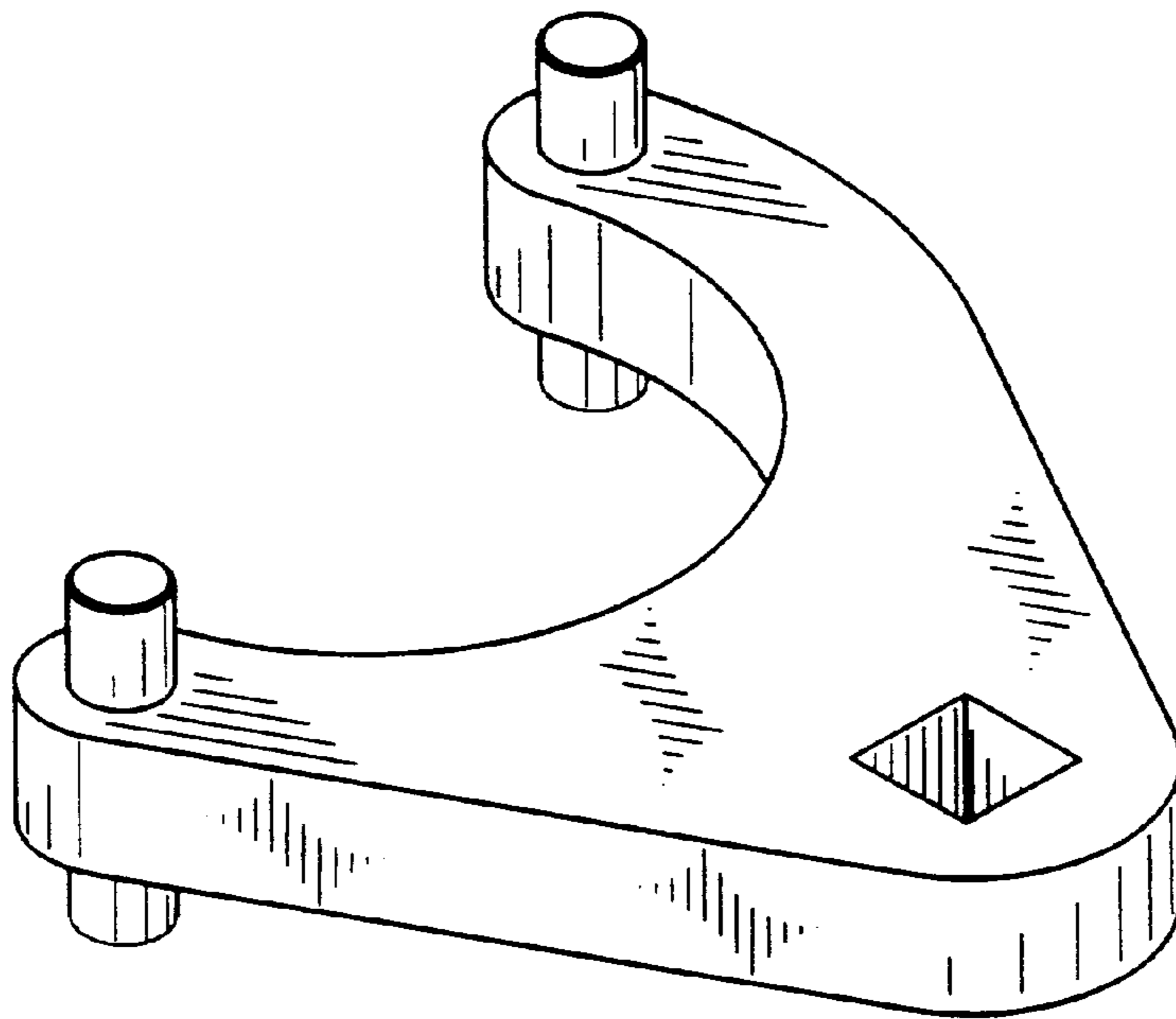


FIG. 8

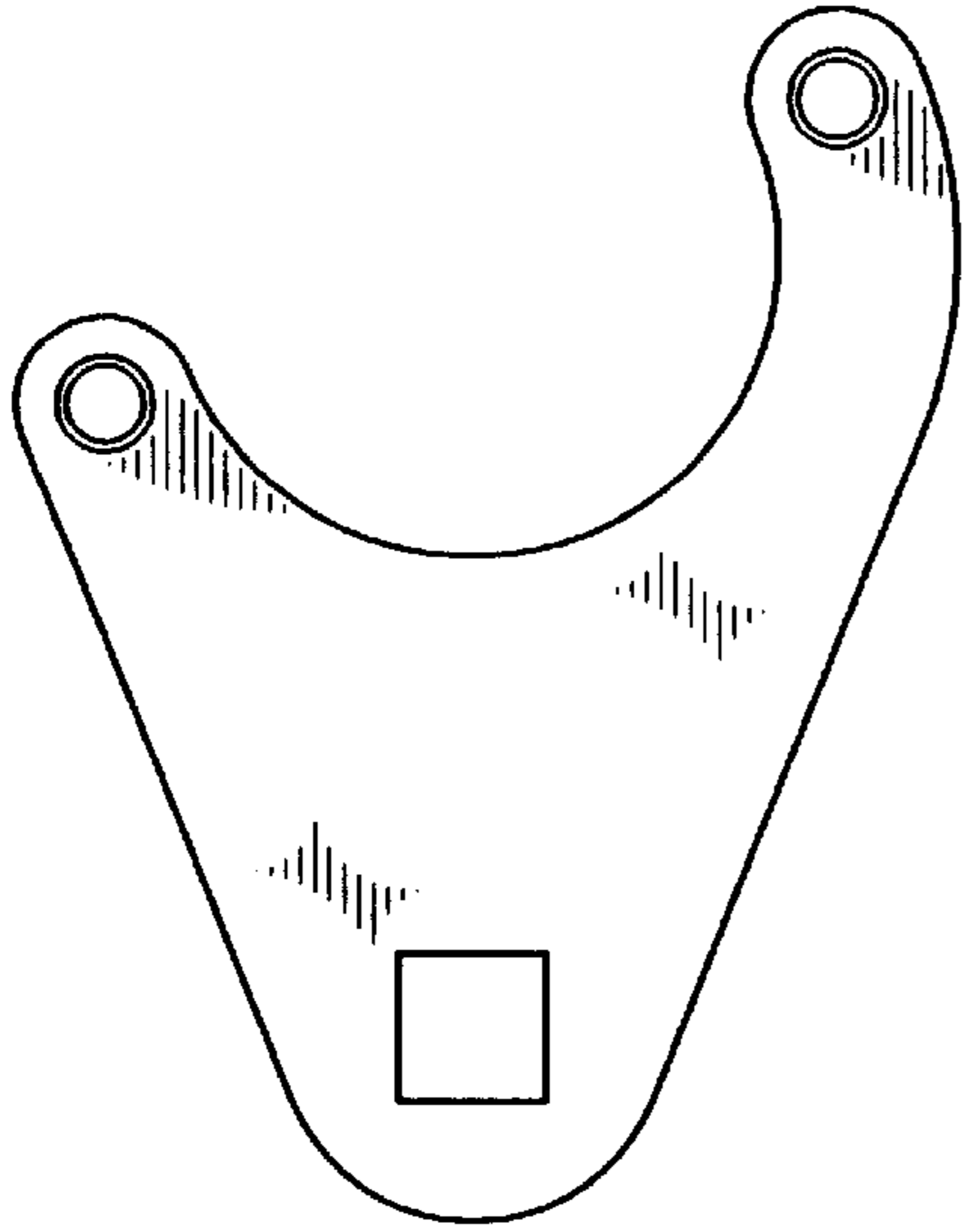


FIG. 2

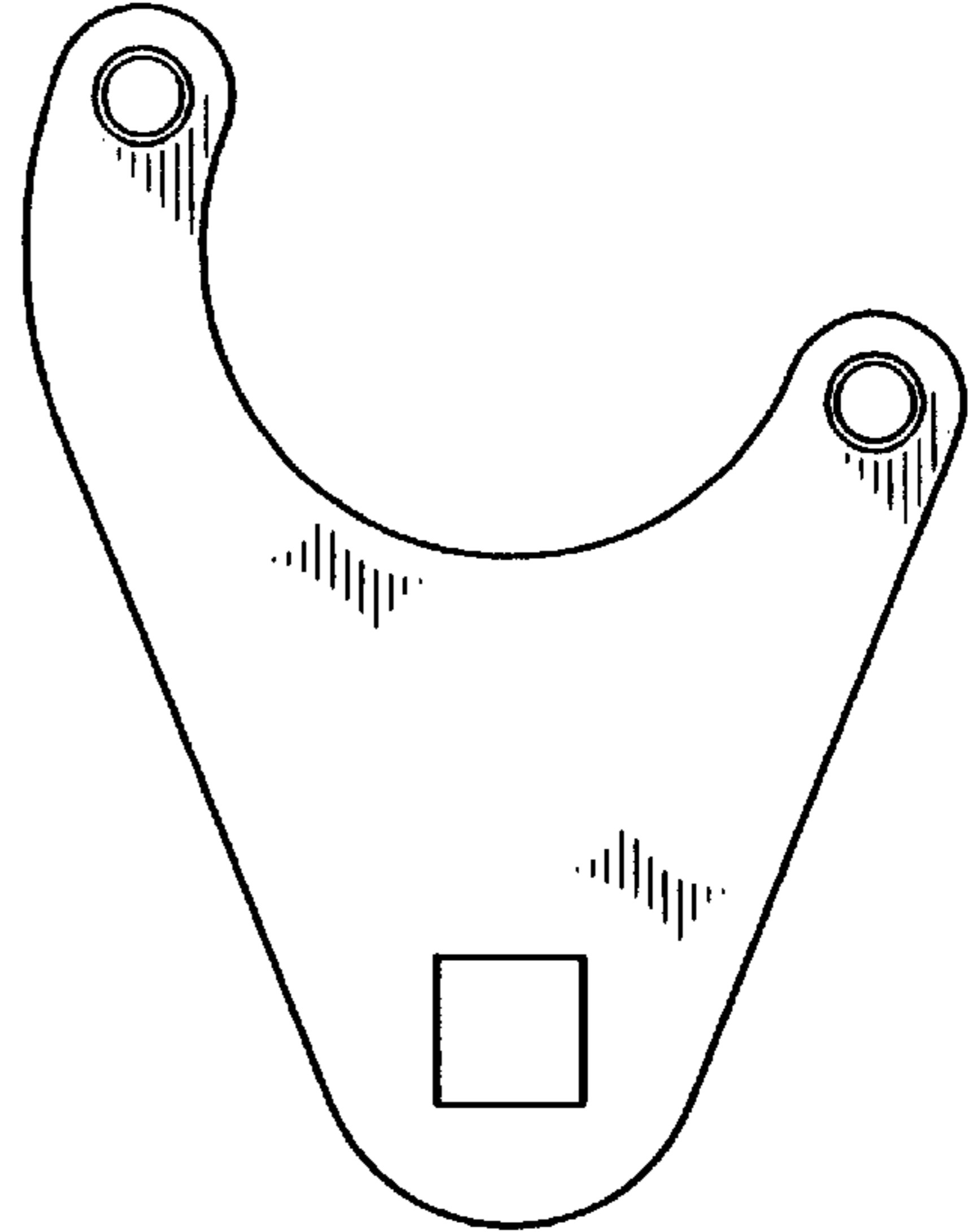


FIG. 3

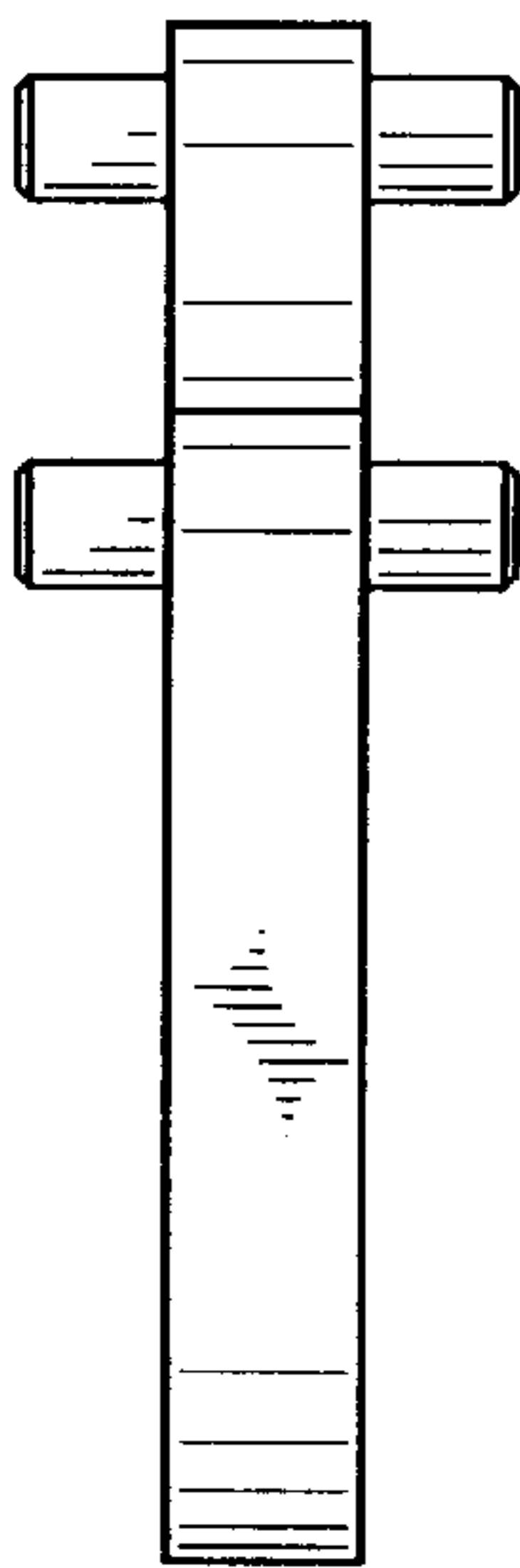


FIG. 4

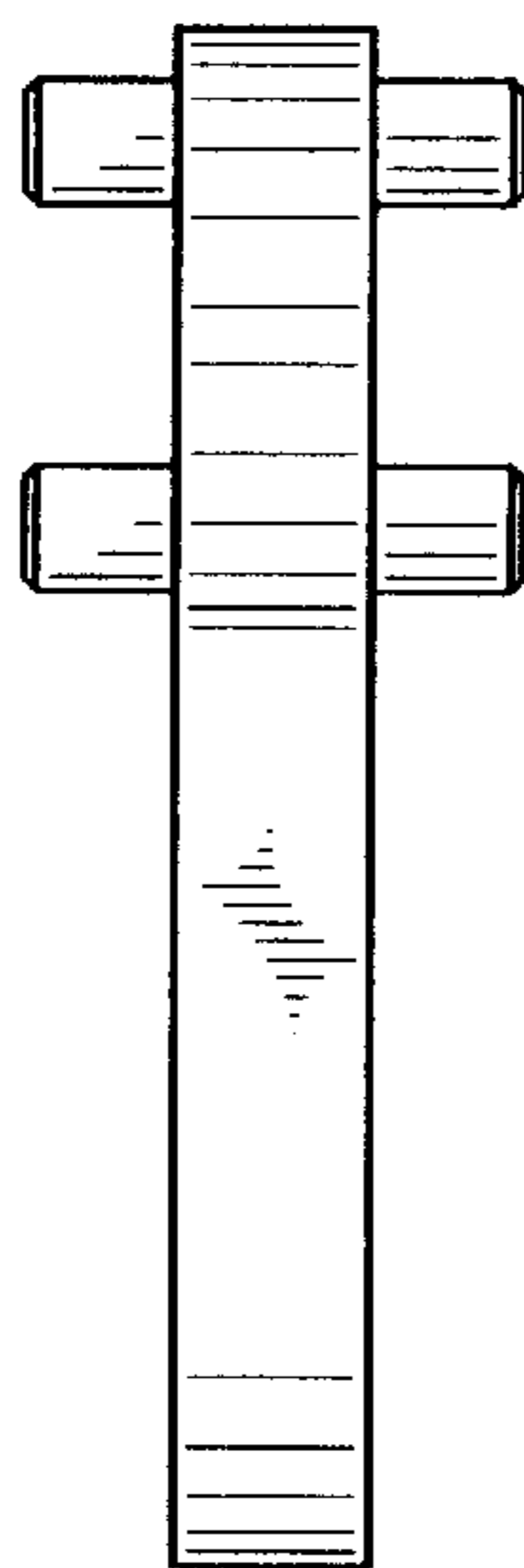


FIG. 5

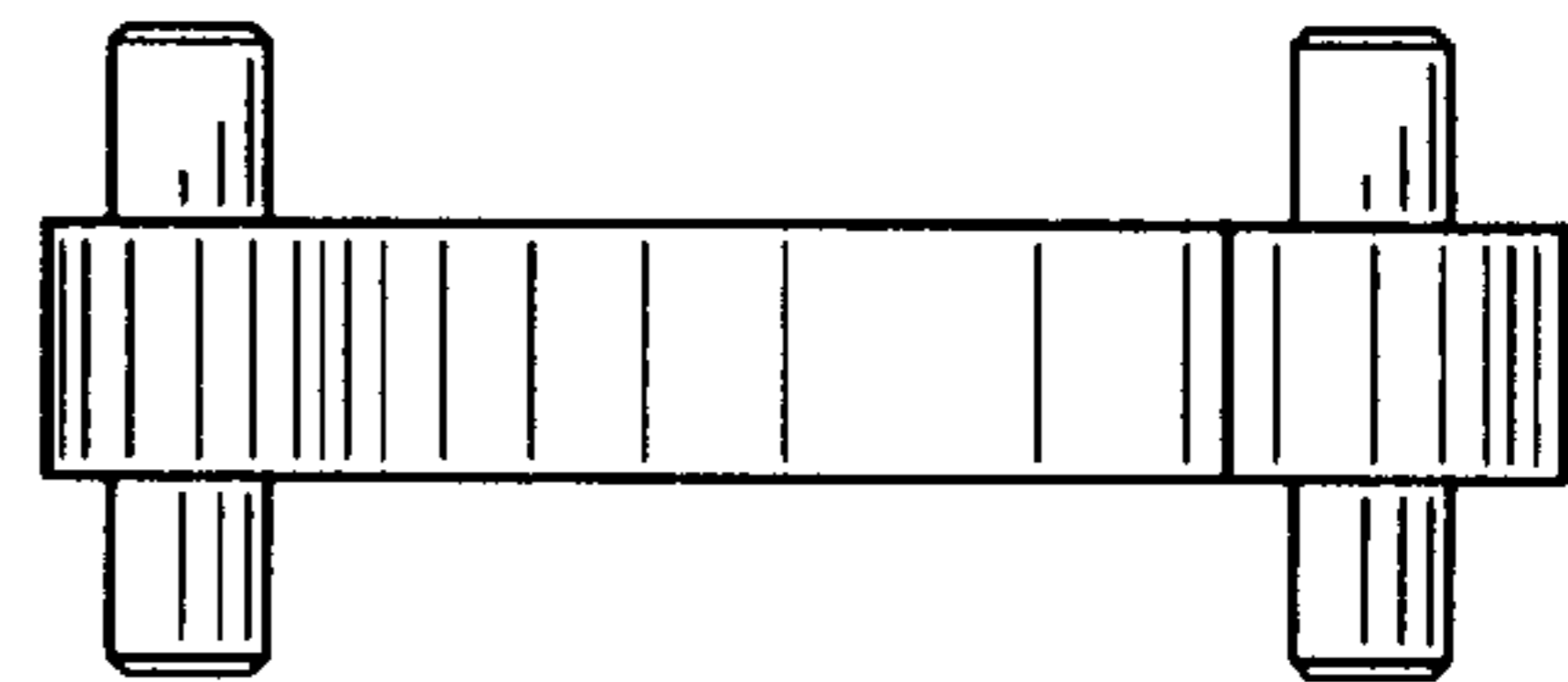


FIG. 6

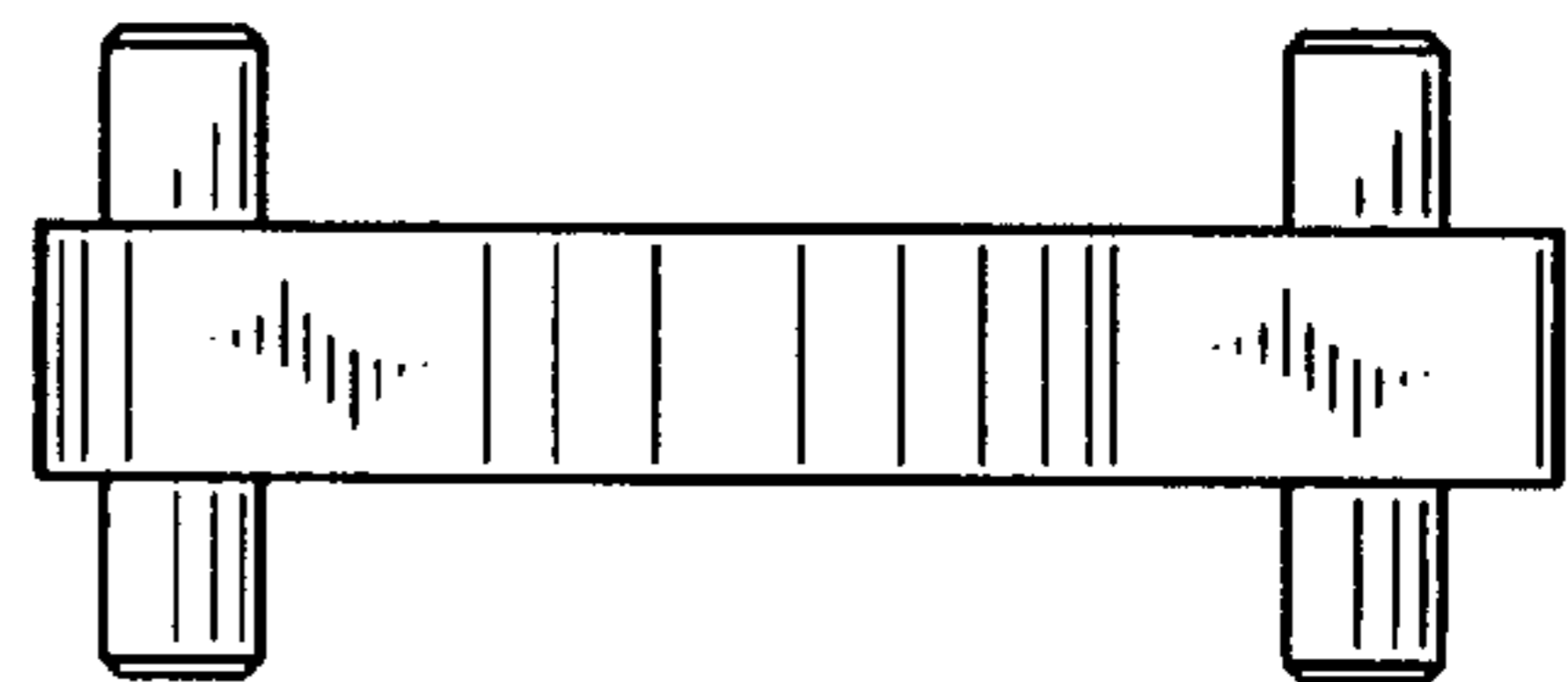


FIG. 7

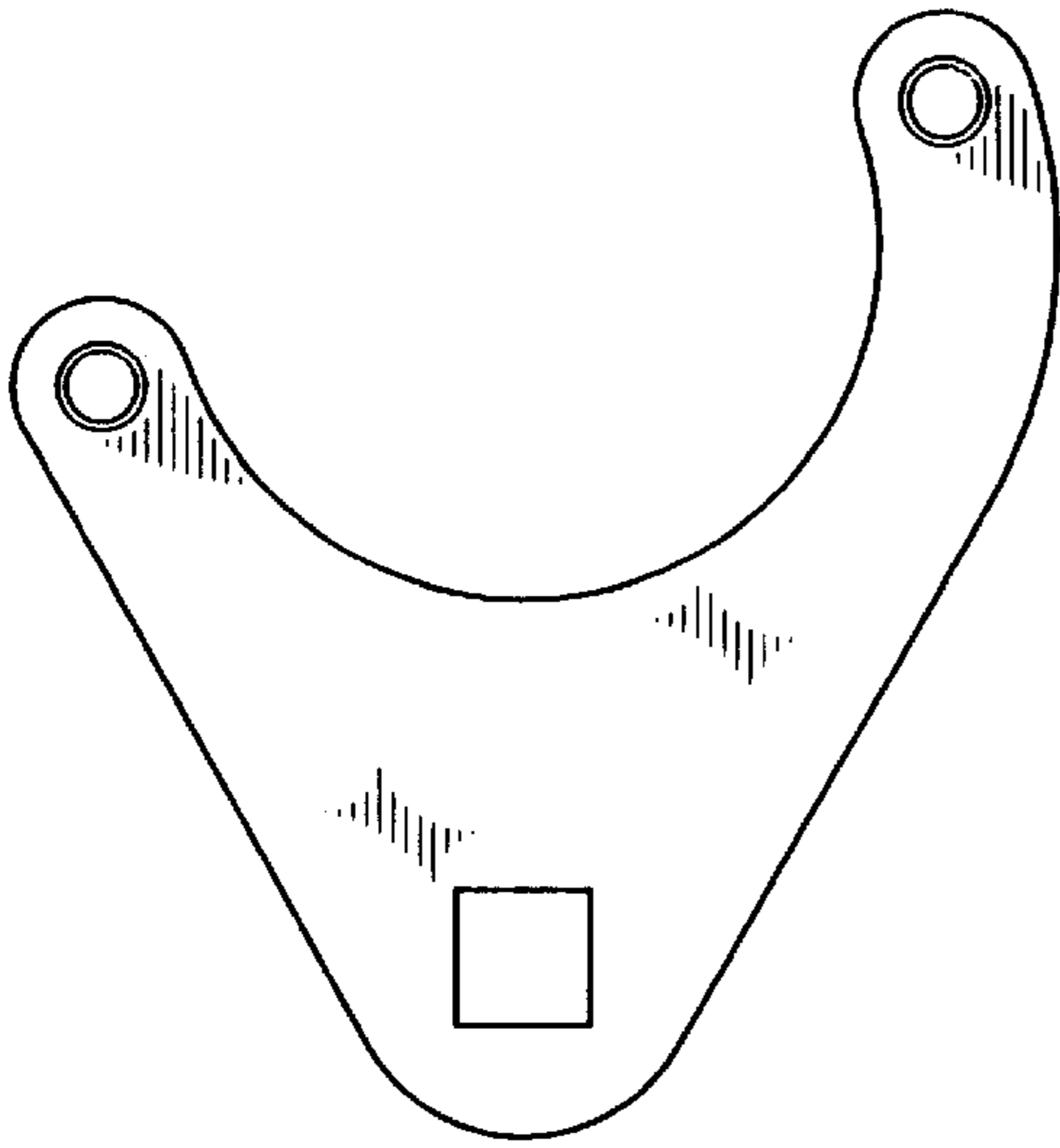


FIG. 9

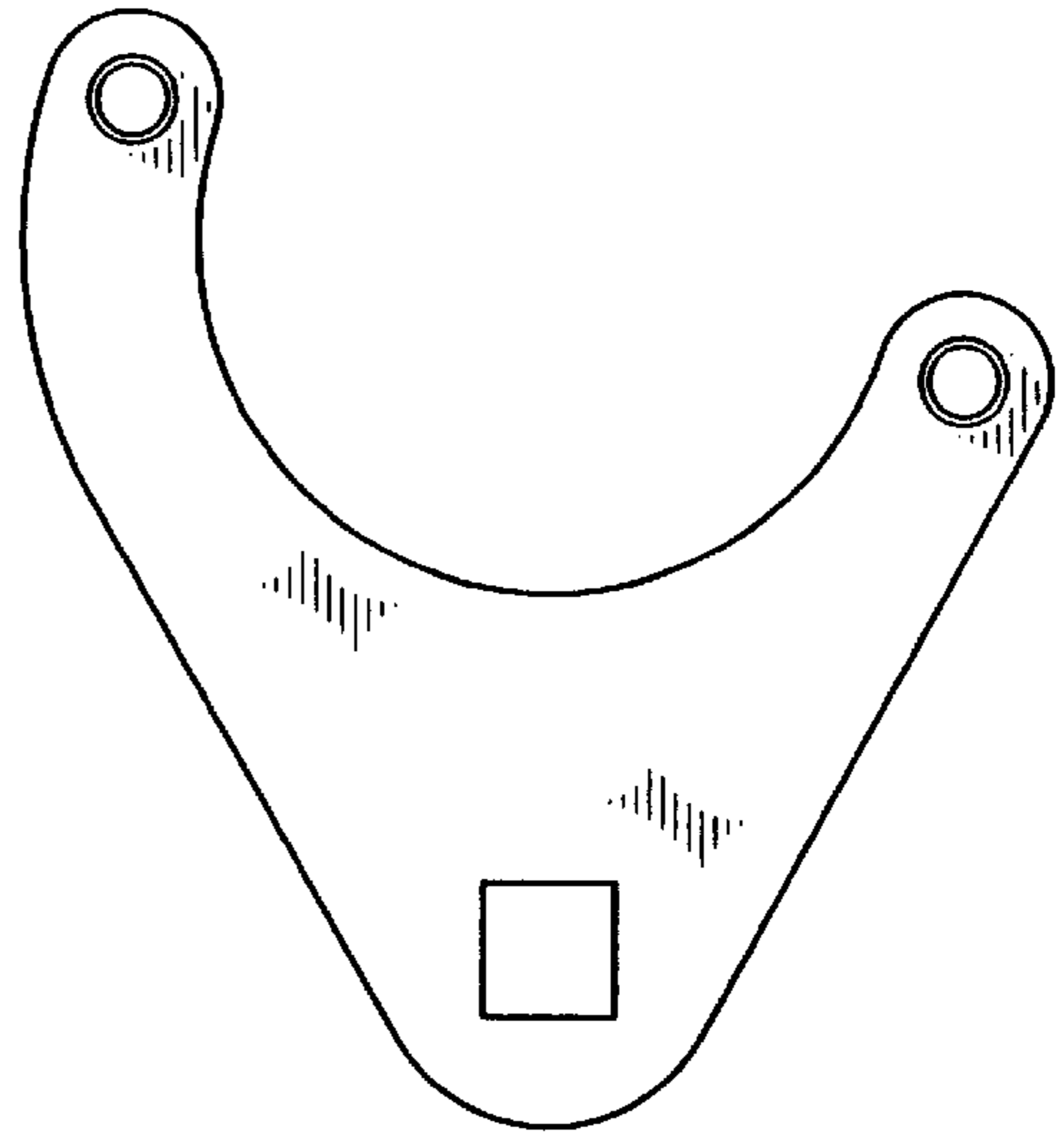


FIG. 10

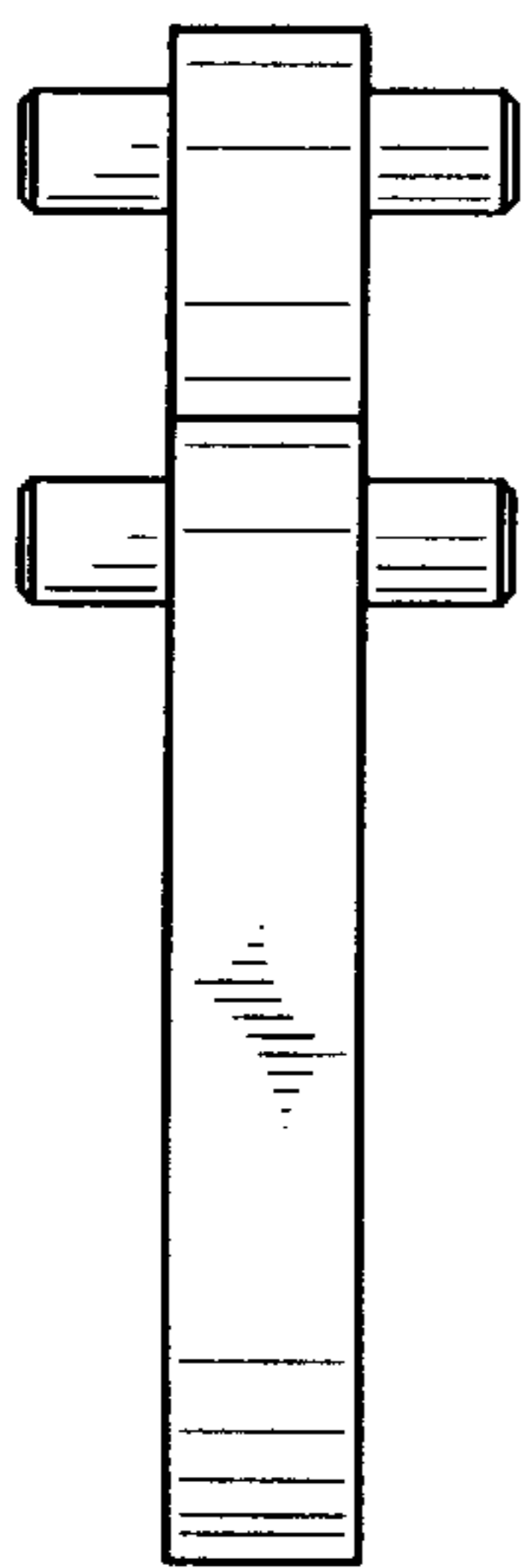


FIG. 11

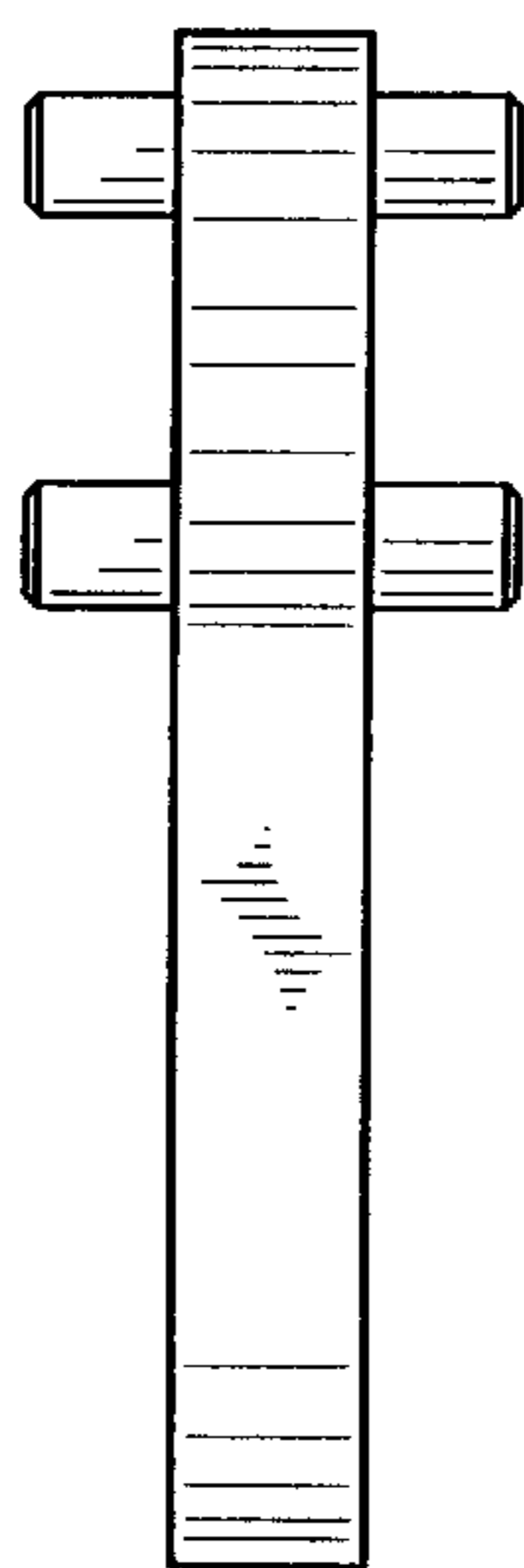


FIG. 12

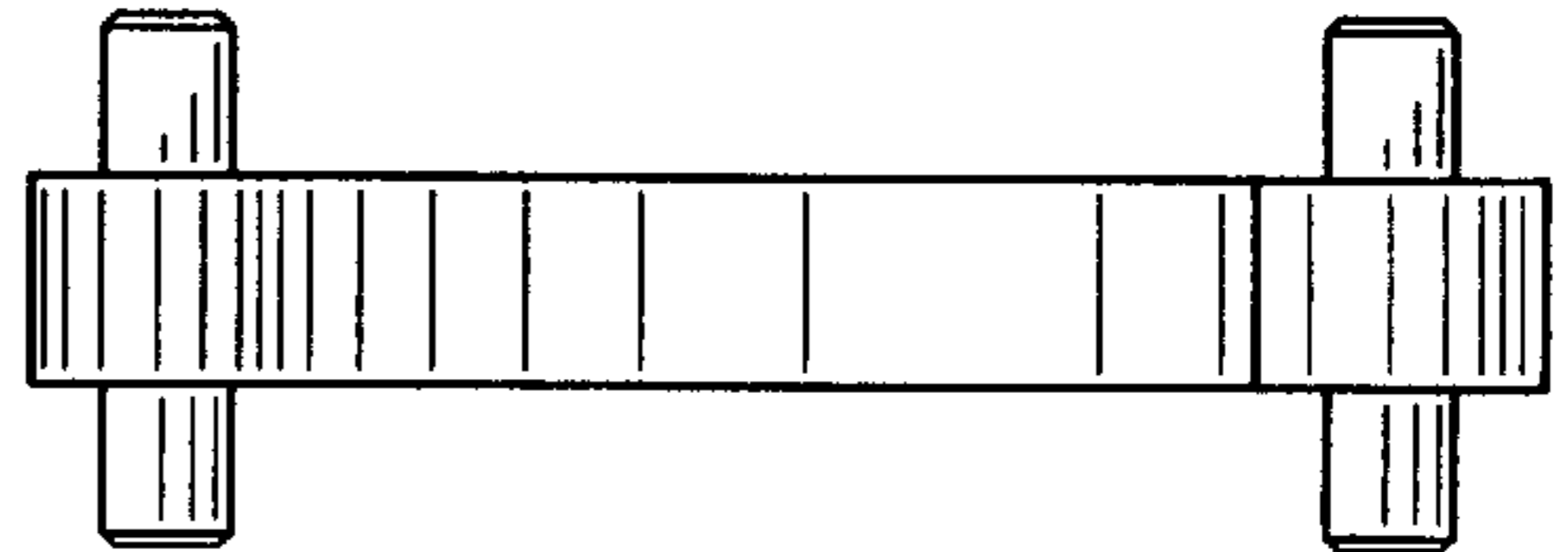


FIG. 13

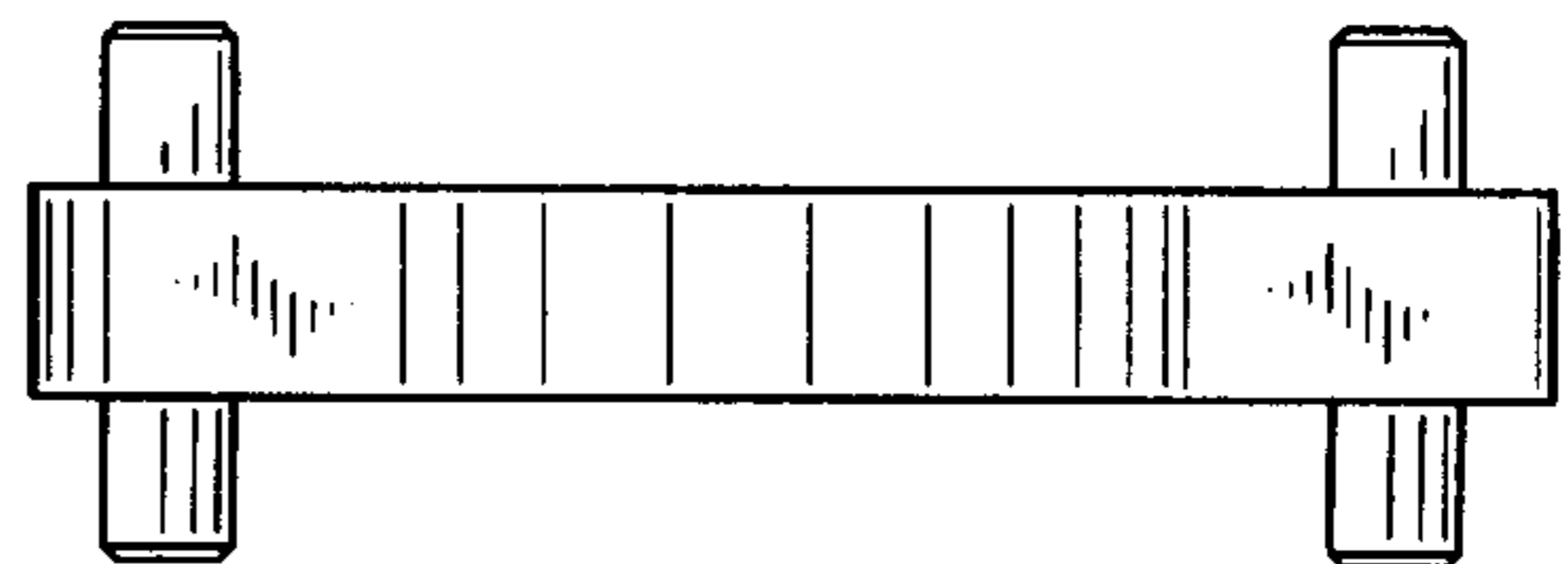


FIG. 14