



US00D431980S

United States Patent [19] Yarbrough

[11] Patent Number: **Des. 431,980**

[45] Date of Patent: **** Oct. 17, 2000**

[54] ALL PURPOSE HOEING TOOL

5,377,374 1/1995 Green 7/114
5,791,708 8/1998 Capriotti .

[76] Inventor: **Harvey M. Yarbrough**, 46 Crestview Cir., Ringgold, Ga. 30736

Primary Examiner—Robin V. Taylor
Attorney, Agent, or Firm—Richard C. Litman

[**] Term: **14 Years**

[57] CLAIM

[21] Appl. No.: **29/106,883**

The ornamental design for a all purpose hoeing tool, as shown and described.

[22] Filed: **Jun. 24, 1999**

DESCRIPTION

[51] LOC (7) Cl. **08-01**

[52] U.S. Cl. **D8/11**

[58] Field of Search D8/1, 11, 12; 294/19.1; 172/371, 375, 380; 7/114

FIG. 1 is a an environmental perspective view of an all purpose hoeing tool showing my new design; FIG. 2 is a front elevational view thereof; FIG. 3 is a rear elevational view thereof; FIG. 4 is a side elevation view thereof; FIG. 5 is a bottom view thereof; FIG. 6 is a top view thereof; FIG. 7 is an an environmental perspective view of a second embodiment of my new design, which incorporates an axe blade disposed along the rear of the shovel blade belly; FIG. 8 is a front elevational view of FIG. 7; FIG. 9 is a rear elevational view of FIG. 7; FIG. 10 is a side elevation view of FIG. 7; FIG. 11 is a bottom view of FIG. 7; and, FIG. 12 is a top view of FIG. 7.

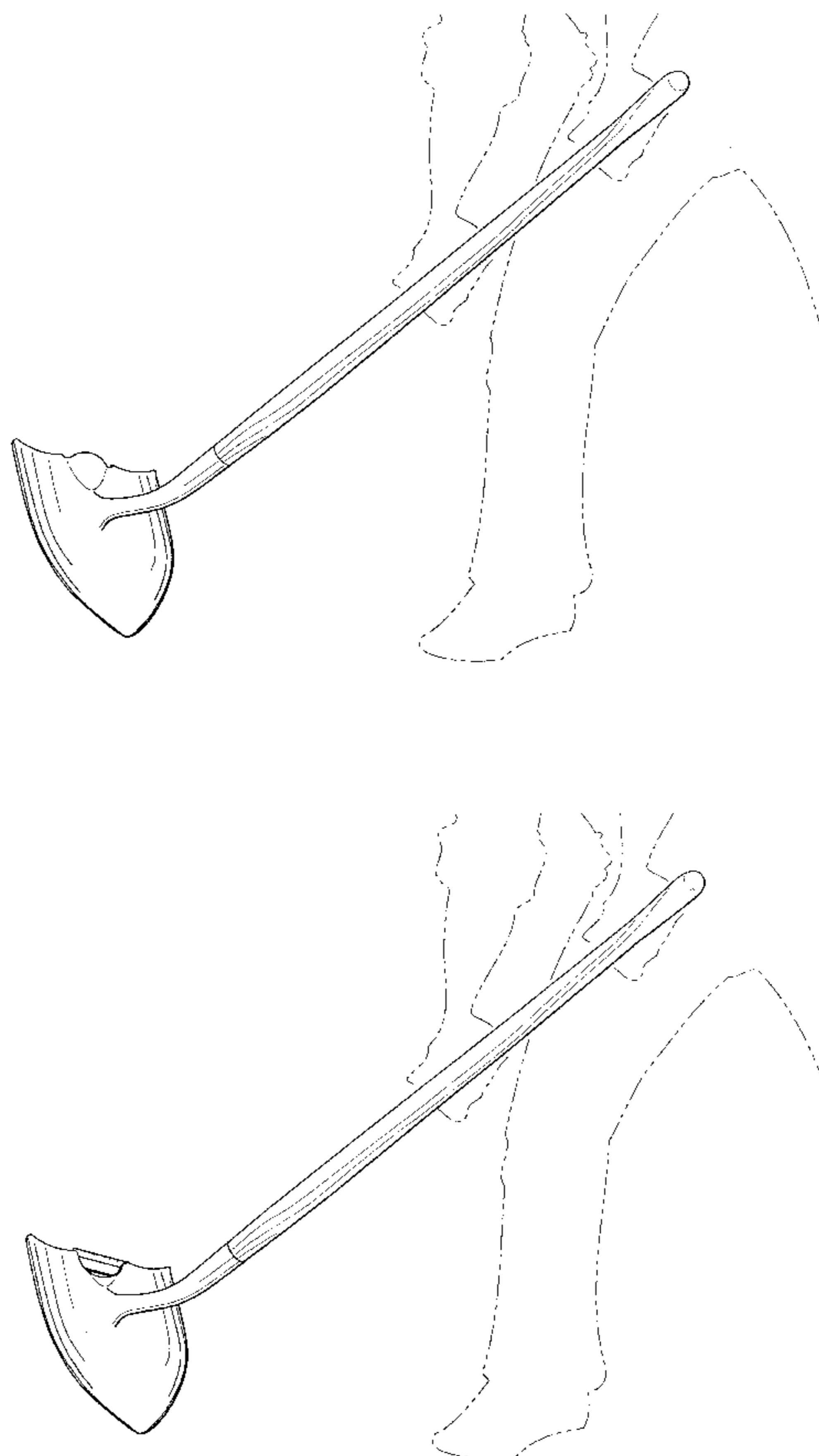
[56] References Cited

U.S. PATENT DOCUMENTS

D. 35,242	10/1901	Solomon	D8/11
182,875	10/1876	Warren .	
231,306	8/1880	Gladding .	
D. 248,819	8/1978	Hare	D8/11
D. 254,593	4/1980	Maxwell	D8/11
D. 344,221	2/1994	Allbright	D8/11
D. 383,951	9/1997	Dutchak	D8/11
816,362	3/1906	Nyswonger .	
1,105,760	8/1914	Dahl .	
1,109,469	9/1914	Sandberg .	
1,181,137	5/1916	Heggland .	
1,198,319	9/1916	Brewster .	
1,328,537	1/1920	Neuman	172/375
1,515,217	11/1924	Kombol .	
3,116,796	1/1964	Miljan	172/371

The handle of the claimed design is shown fragmented in FIGS. 2,3,4,8,9 and 10 for ease of illustration. The broken line showing is for illustrative purposes only and forms no part of the claimed design.

1 Claim, 10 Drawing Sheets



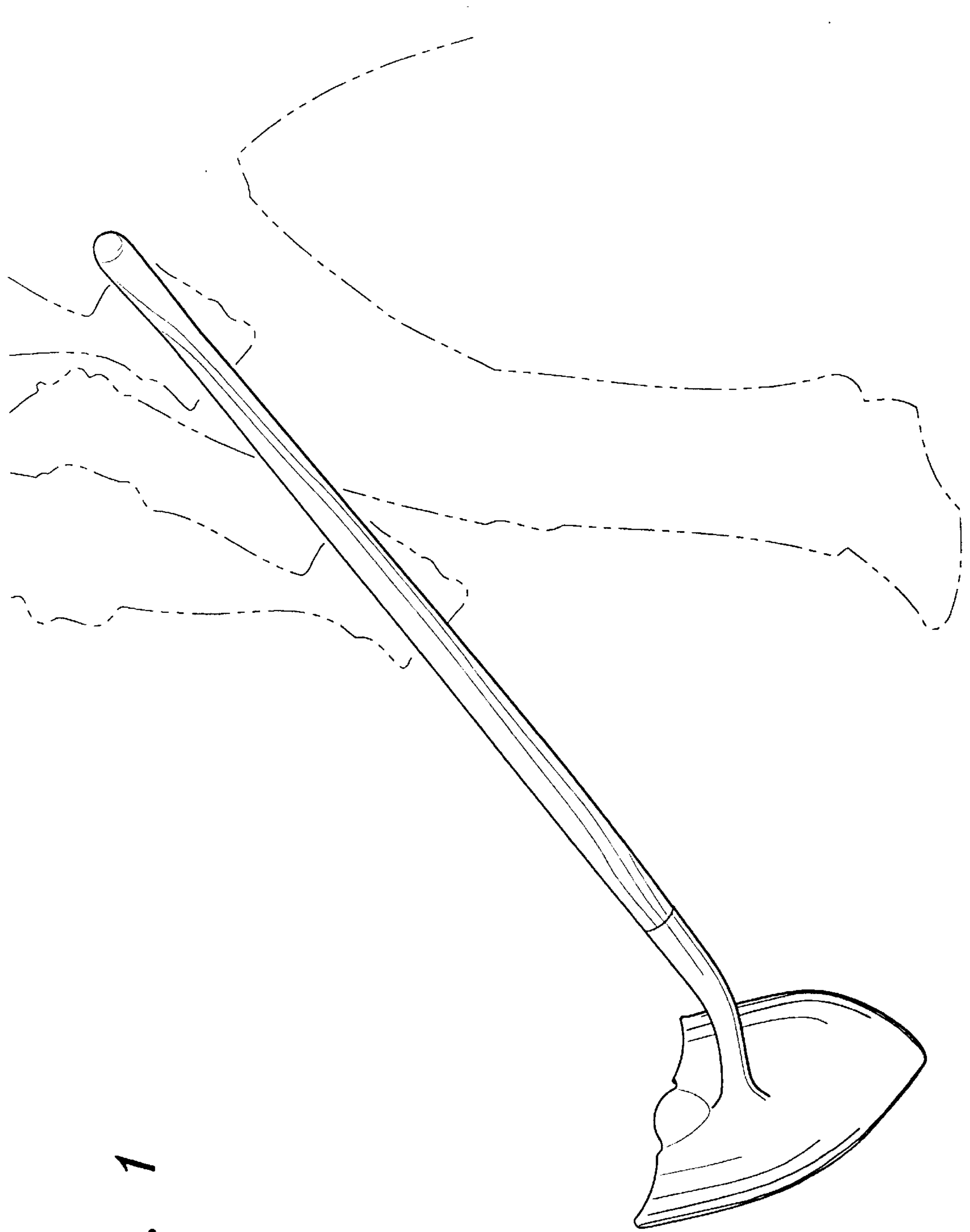


Fig. 1

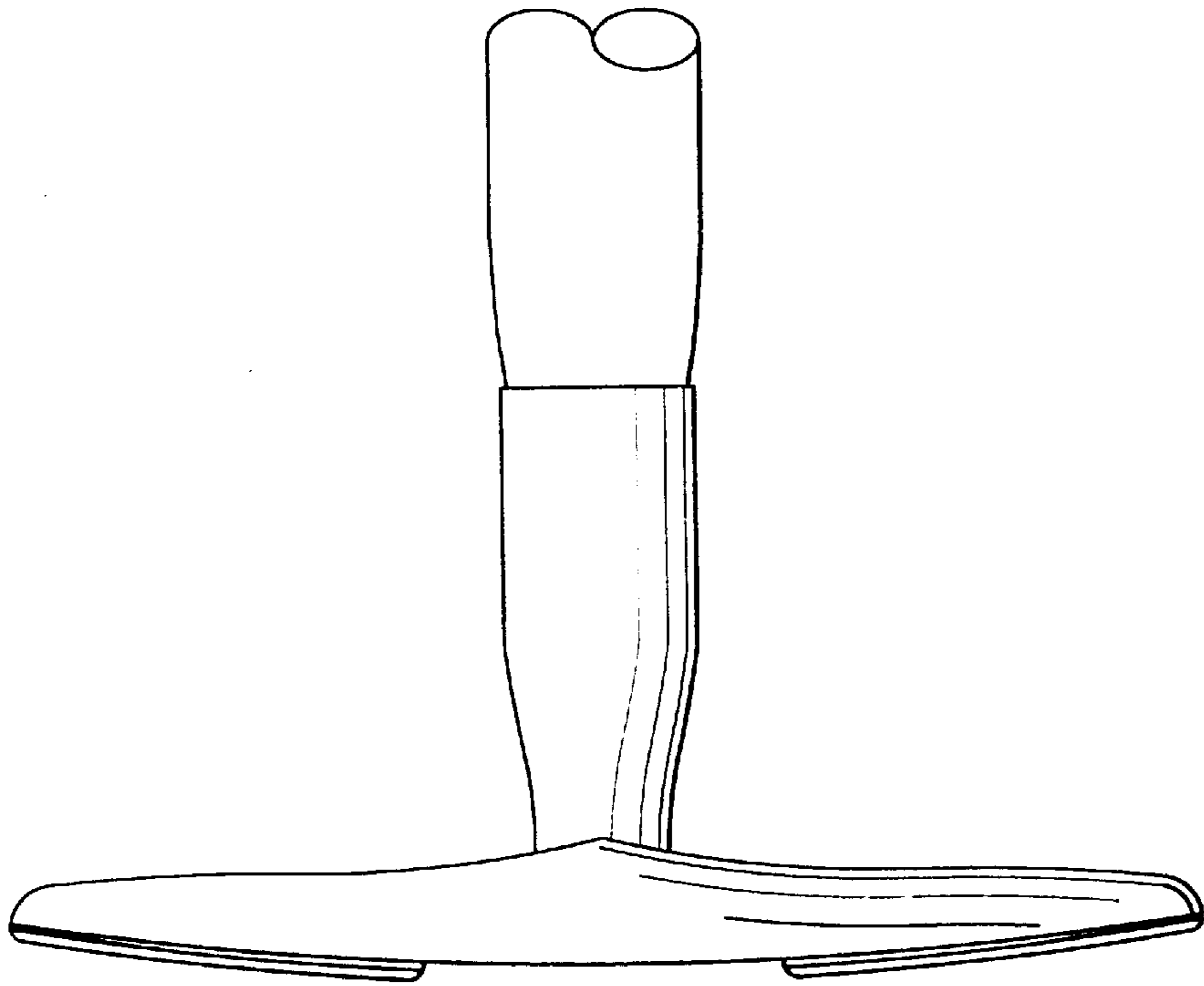


Fig. 2

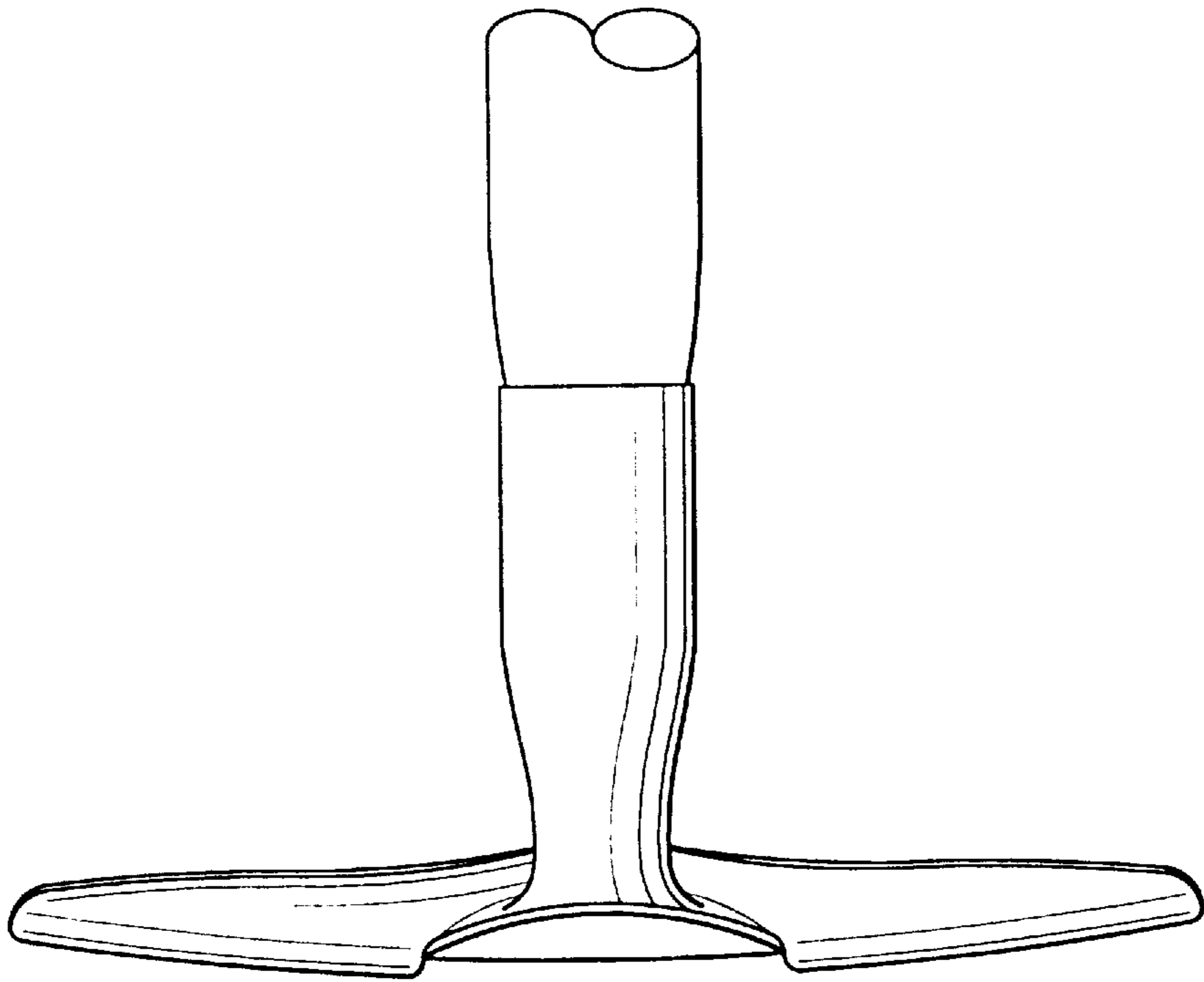


Fig. 3

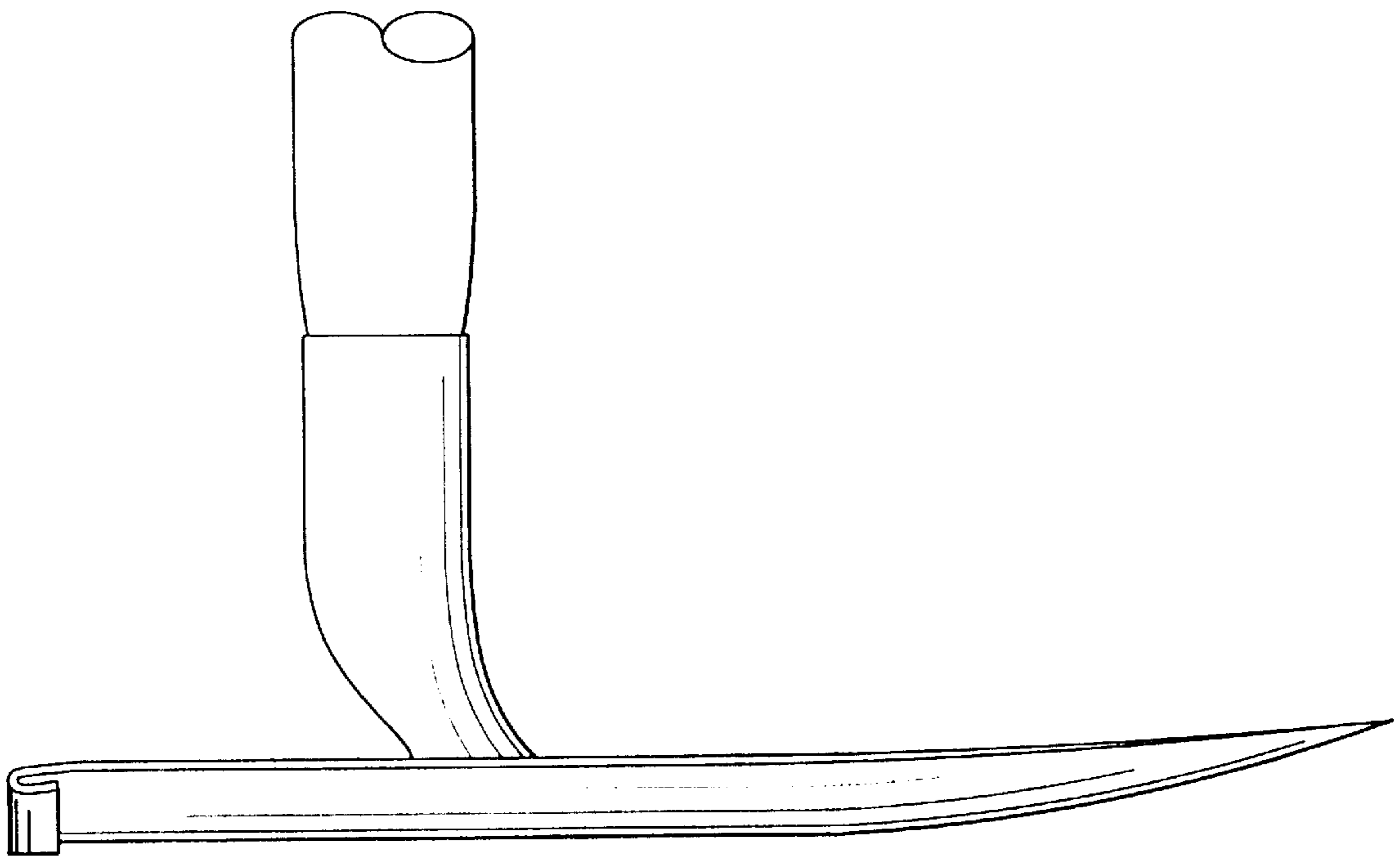


Fig. 4

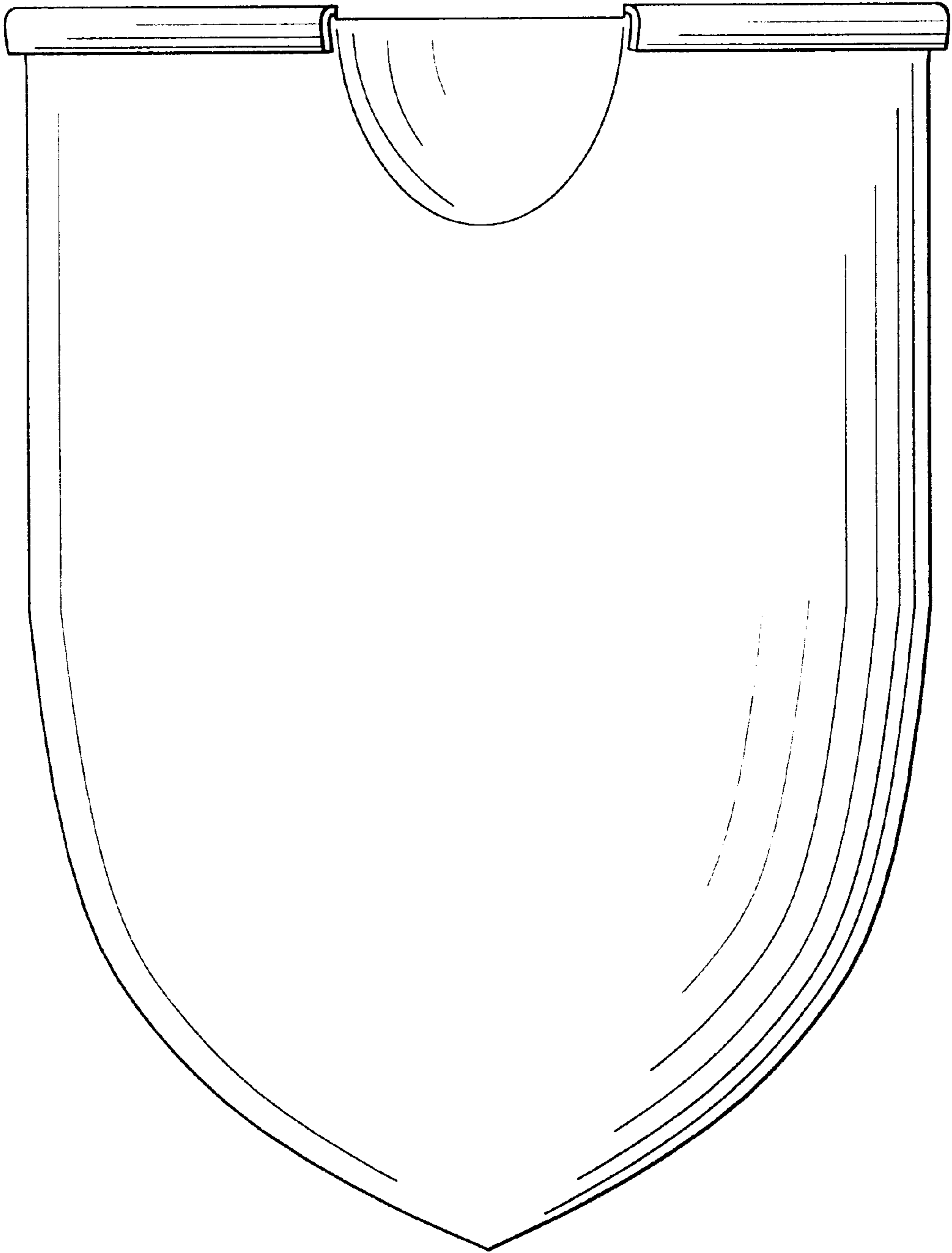


Fig. 5

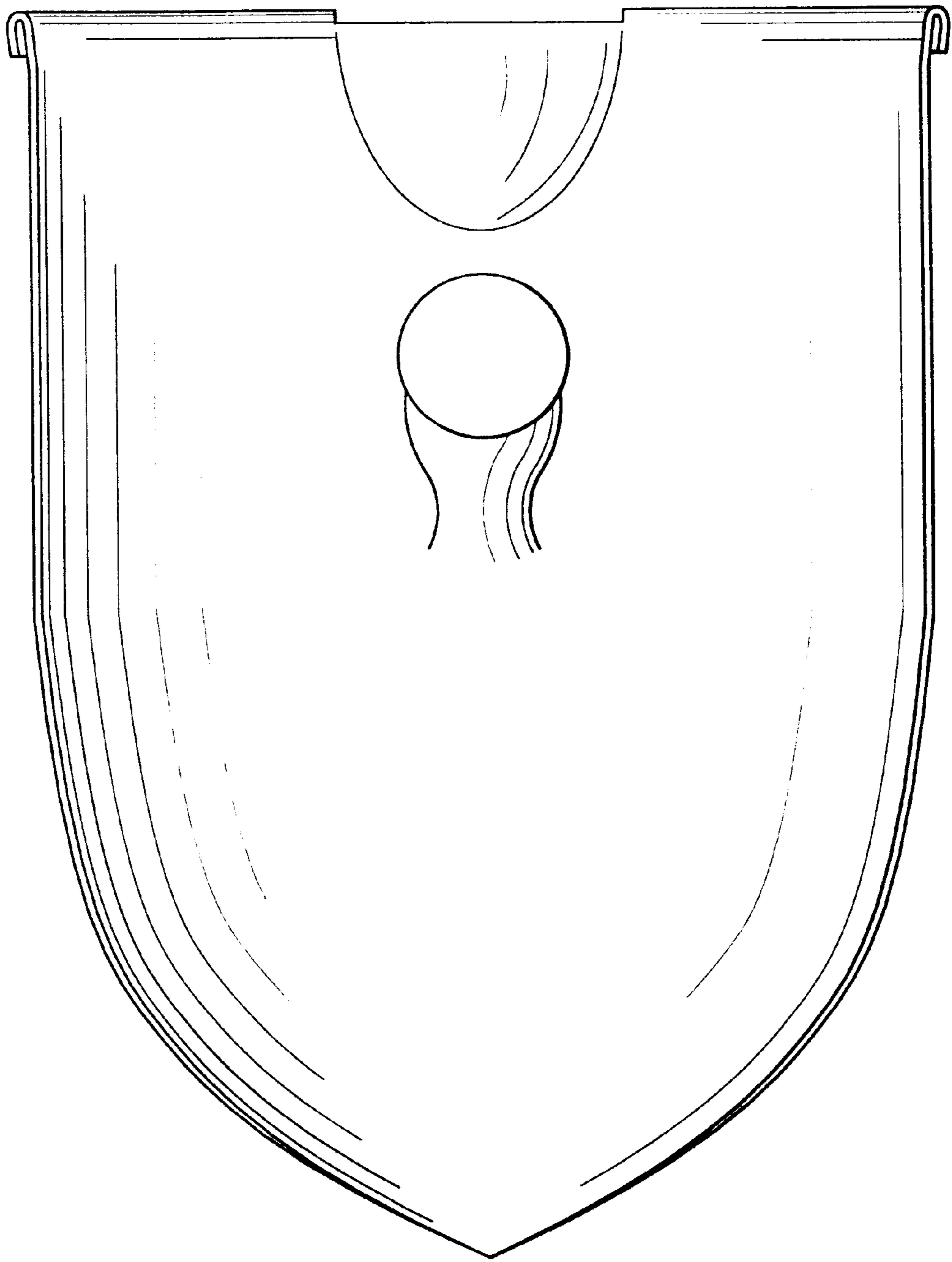


Fig. 6

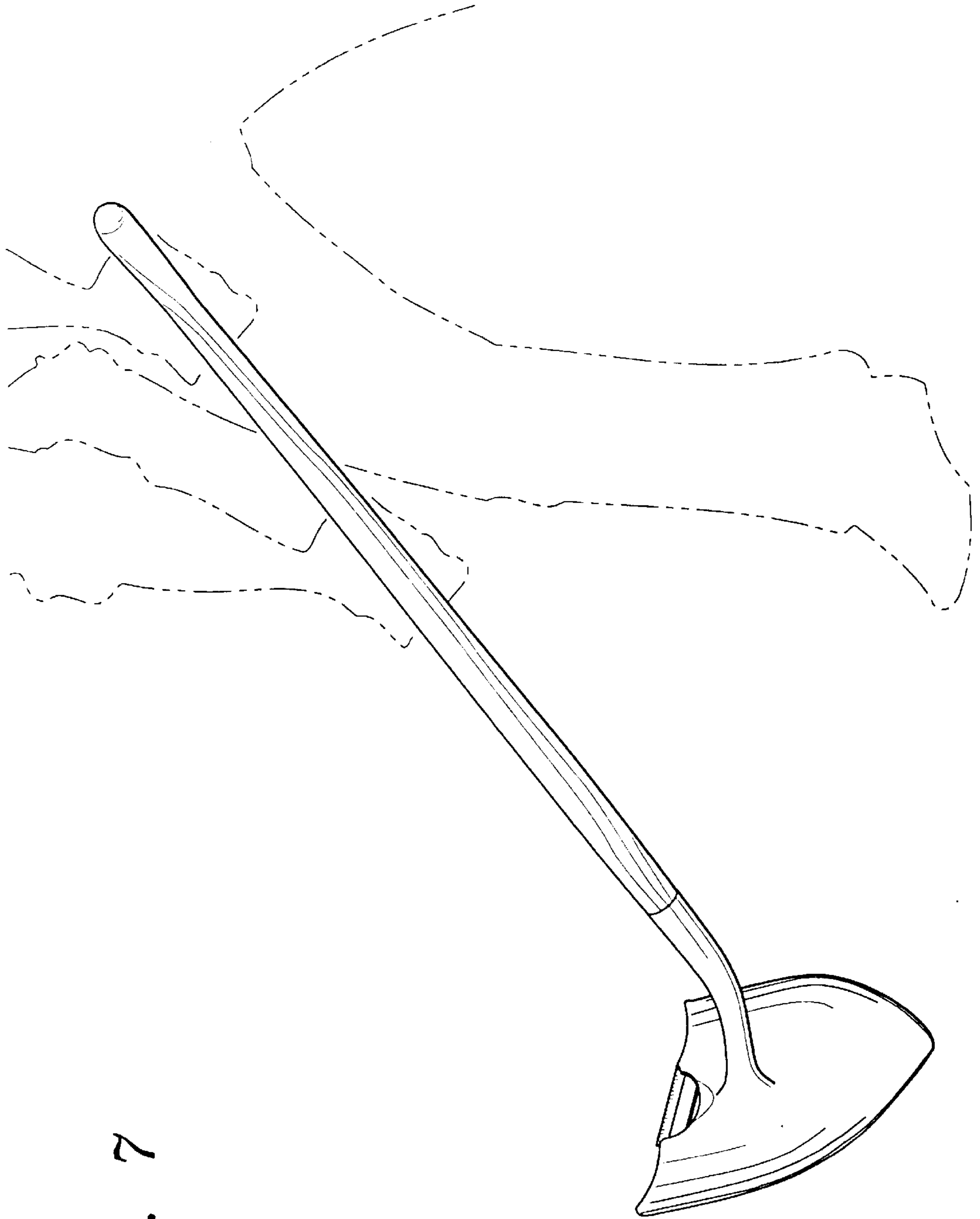


Fig. 7

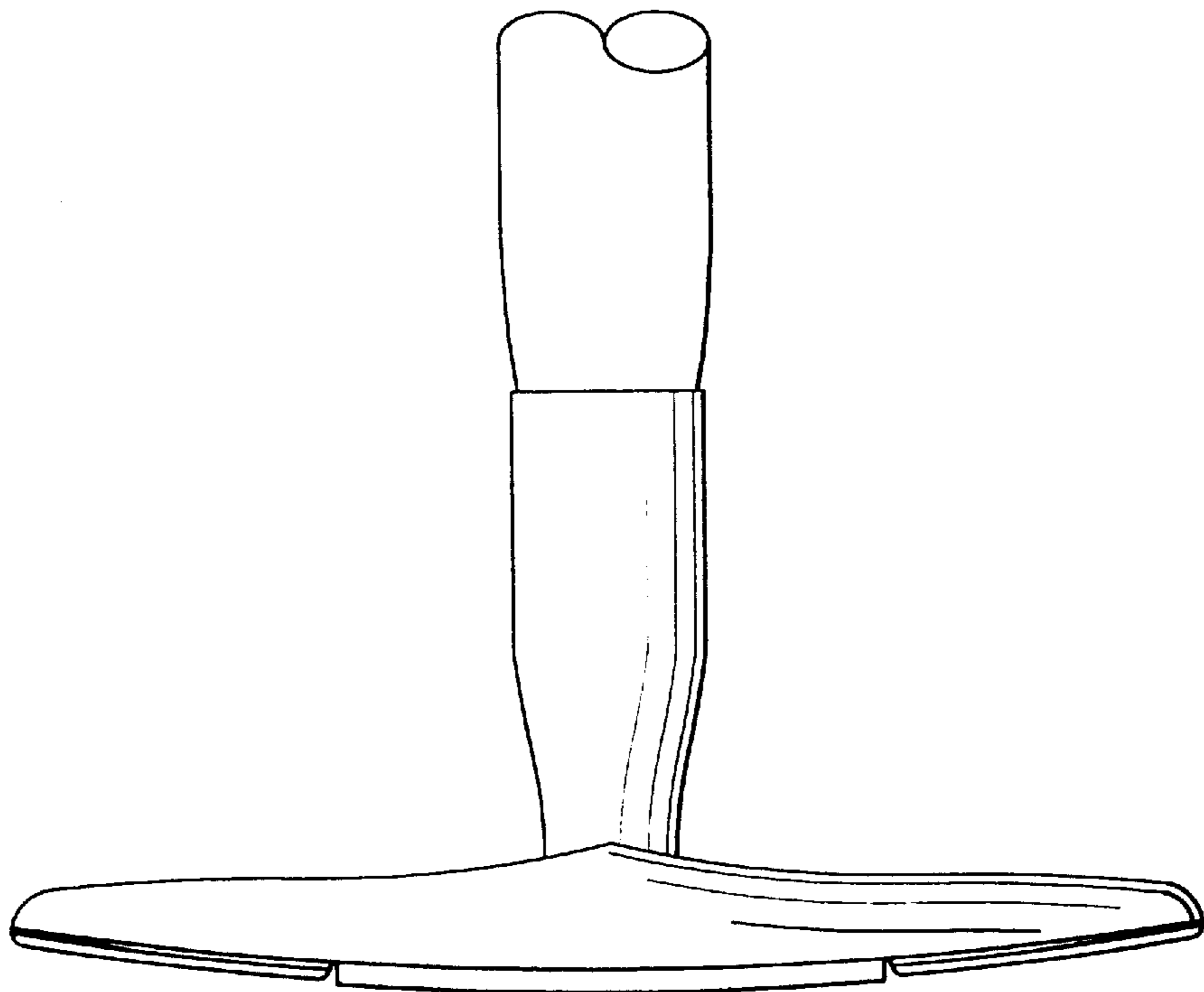


Fig. 8

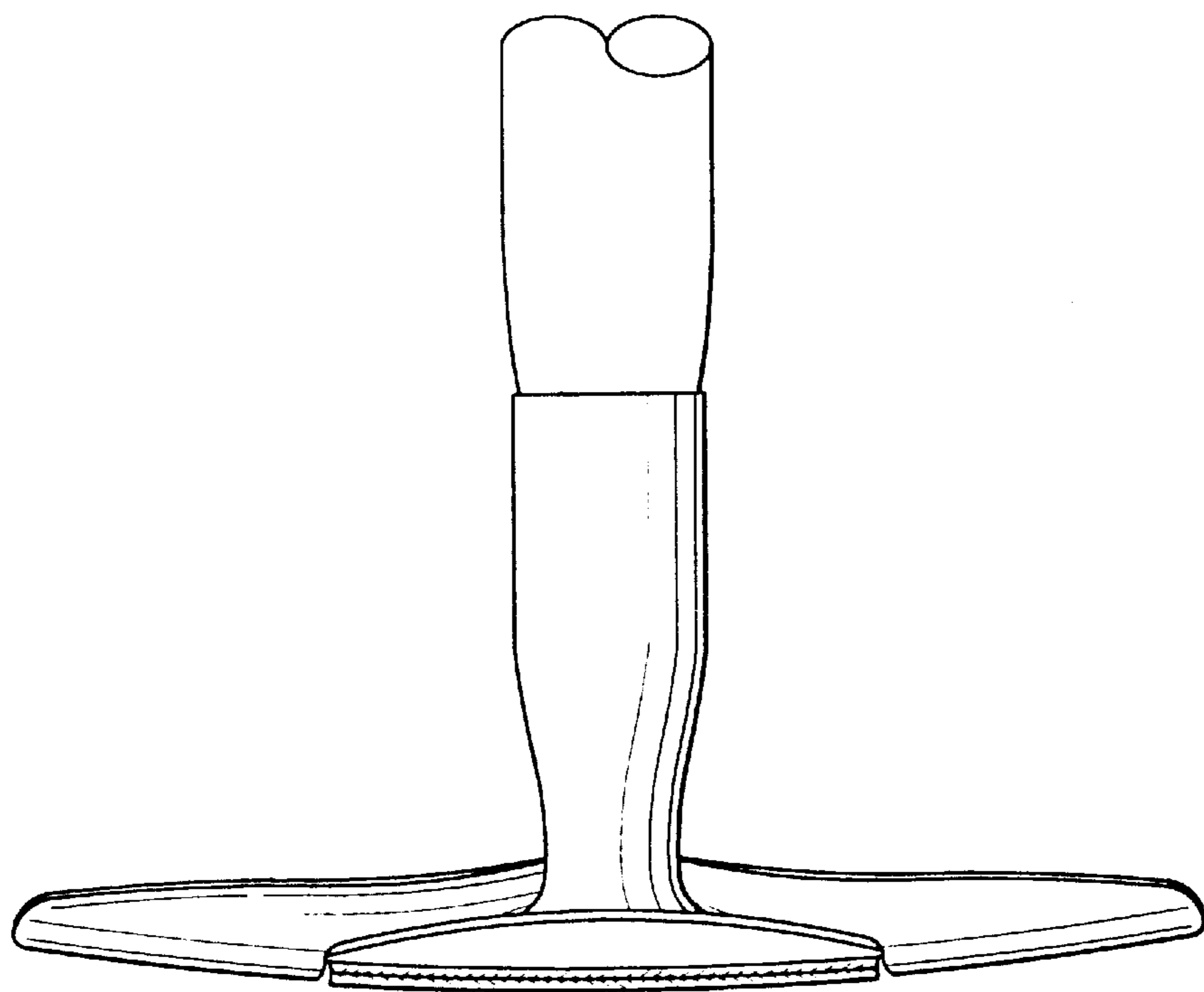


Fig. 9

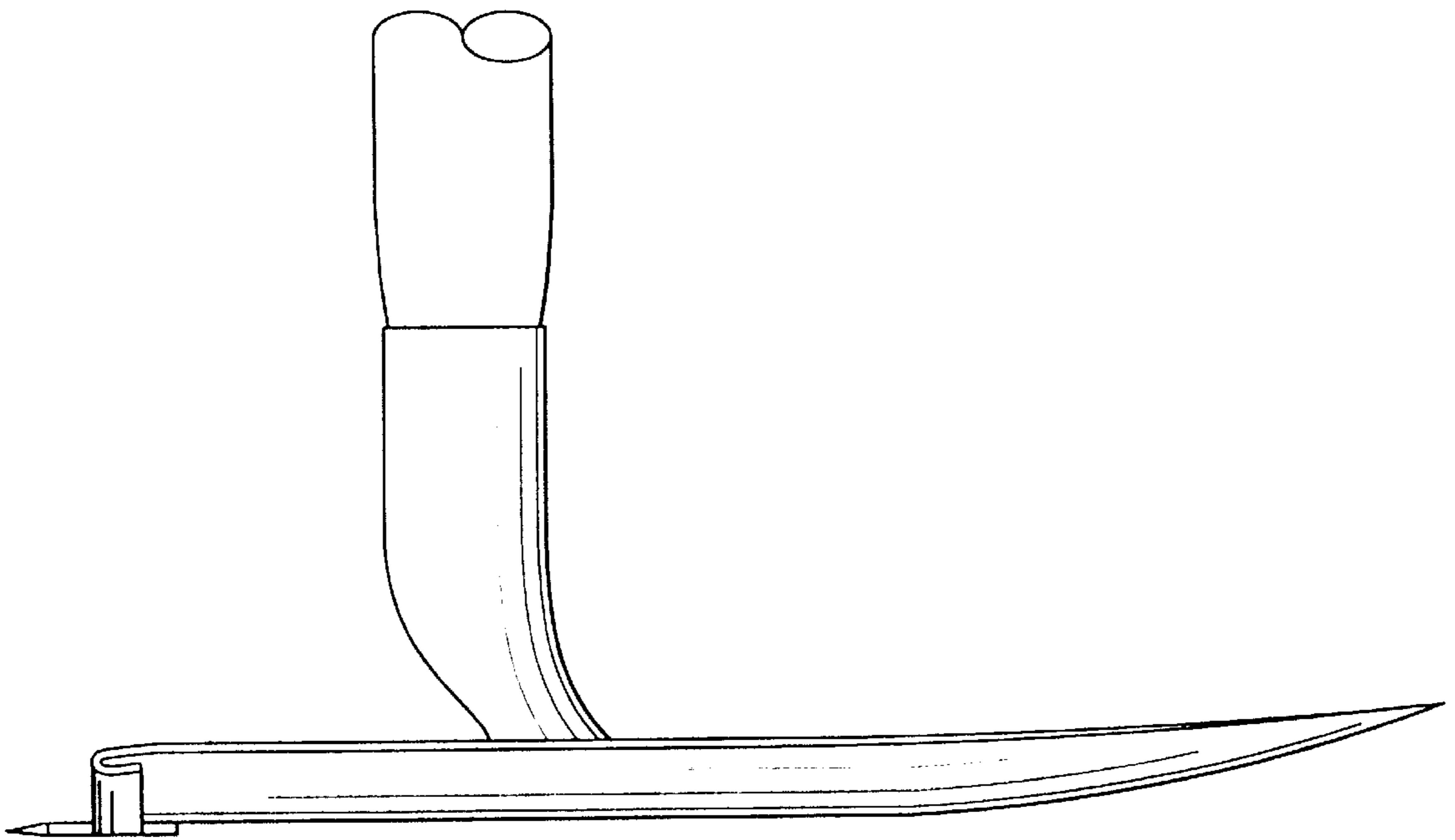


Fig. 10

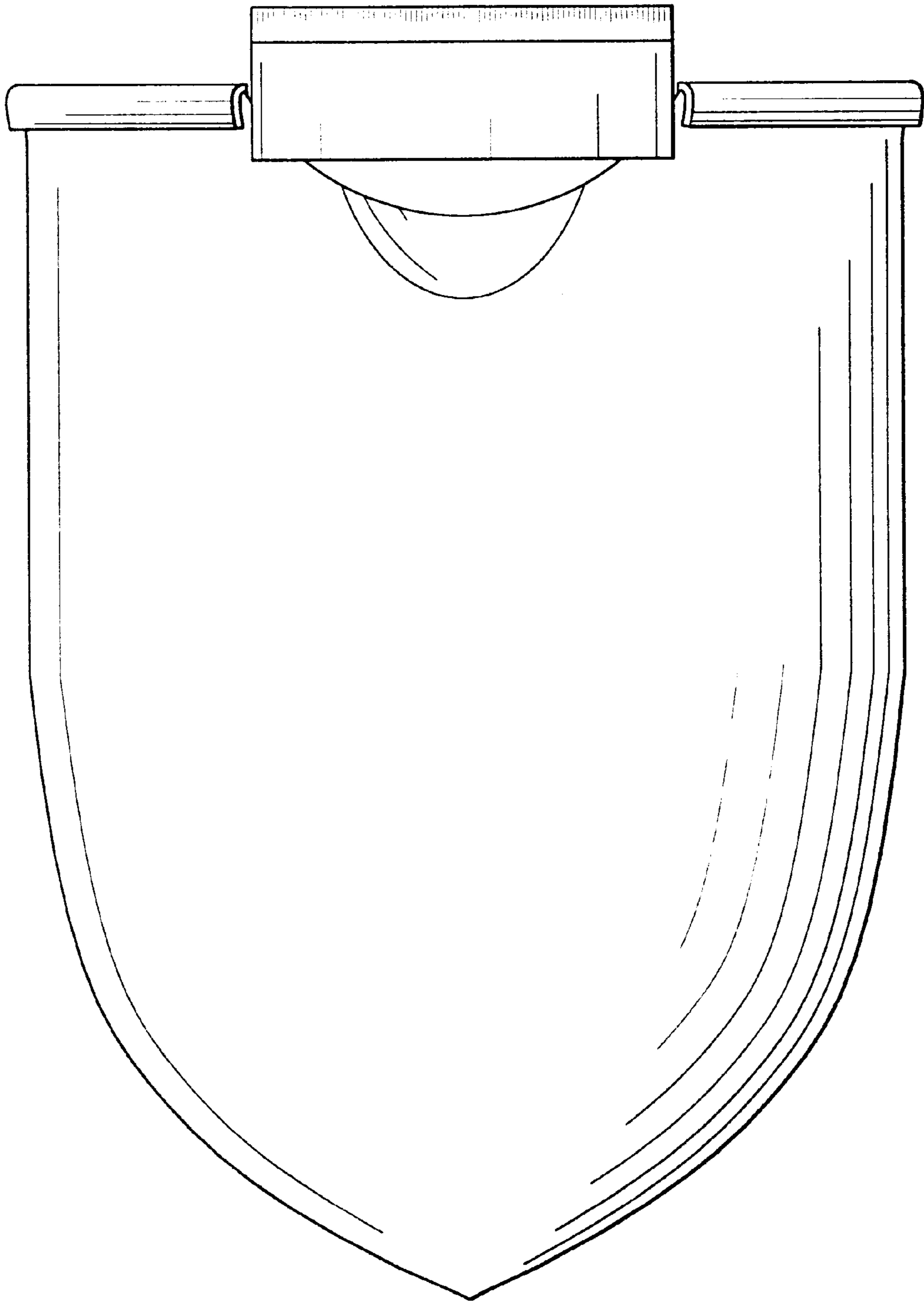


Fig. 11

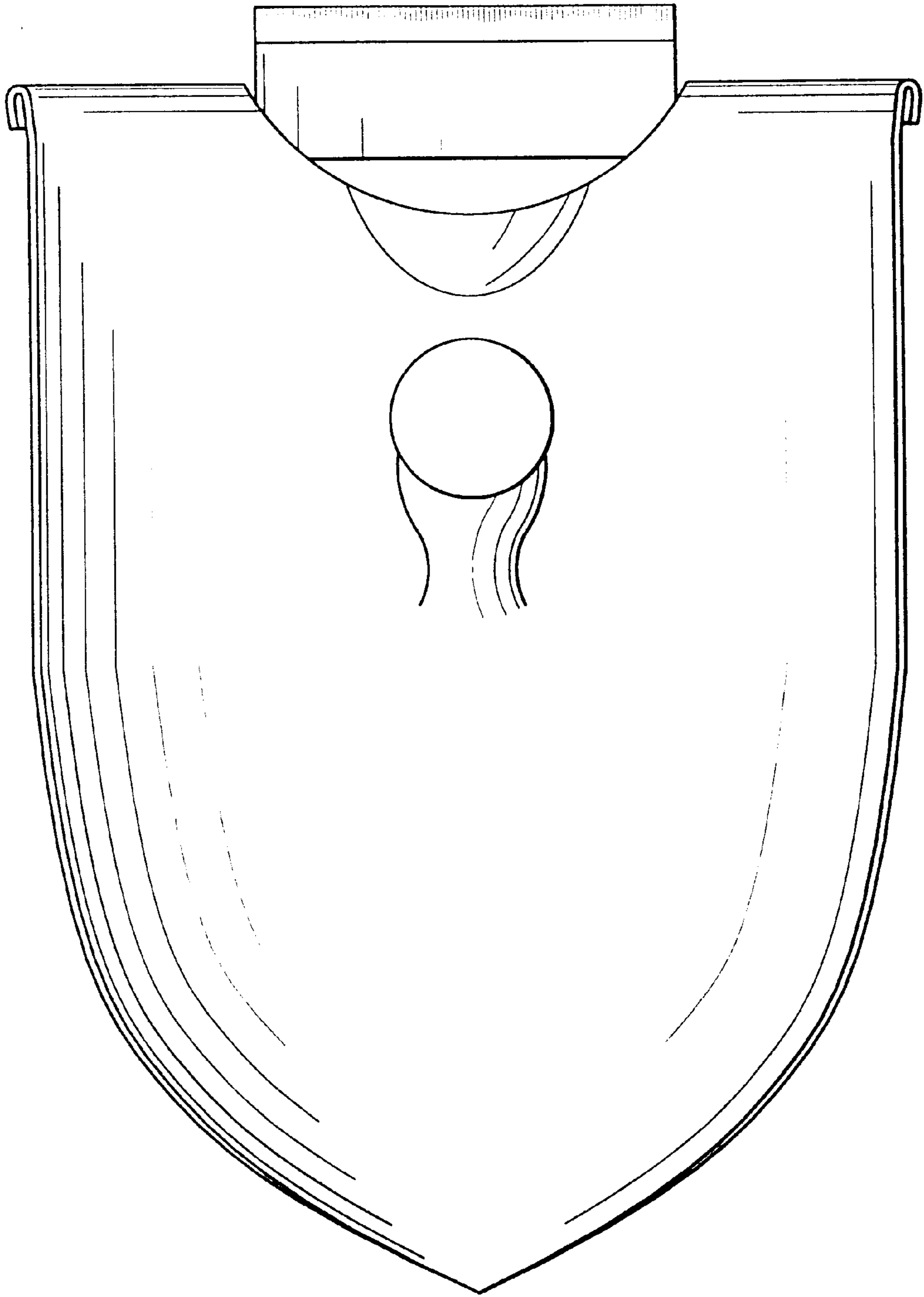


Fig. 12