



US00D431973S

United States Patent [19] O'Flynn et al.

[11] Patent Number: **Des. 431,973**

[45] Date of Patent: **** Oct. 17, 2000**

[54] **JUICER**

[75] Inventors: **Brian J. O'Flynn; Brian R. Sullivan,**
both of Richmond, Va.

[73] Assignee: **Hamilton Beach/Proctor-Silex, Inc.,**
Glen Allen, Va.

[**] Term: **14 Years**

[21] Appl. No.: **29/106,806**

[22] Filed: **Jun. 21, 1999**

[51] **LOC (7) Cl.** **31-00**

[52] **U.S. Cl.** **D7/665**

[58] **Field of Search** **D7/665, 666, 373,**
D7/374, 381, 384; 99/499, 501-506

[56] **References Cited**

U.S. PATENT DOCUMENTS

- D. 84,066 4/1931 Orfanson .
- D. 151,822 11/1948 Hammers .
- D. 371,055 6/1996 Fouquet .
- 1,412,996 4/1922 Blessing .
- 1,757,326 5/1930 Miller .
- 1,955,975 4/1934 Puterbaugh .
- 1,995,670 3/1935 Crowe .
- 2,026,918 1/1936 Streckfuss .
- 2,160,388 5/1939 Morse .
- 2,249,817 7/1941 Fromm .
- 2,315,018 3/1943 Lawrence .
- 4,706,559 11/1987 De Zarate .

- 4,941,403 7/1990 Cimenti .
- 5,035,174 7/1991 Seal, Jr. .
- 5,551,335 9/1996 McClean .

FOREIGN PATENT DOCUMENTS

1164016 10/1958 France .

OTHER PUBLICATIONS

See Information Disclosure Statement regarding offer for sale less than one year prior to filing of present application. Color copy showing three commercial juicers.

Primary Examiner—Terry A. Wallace
Attorney, Agent, or Firm—Roger S. Dybvig

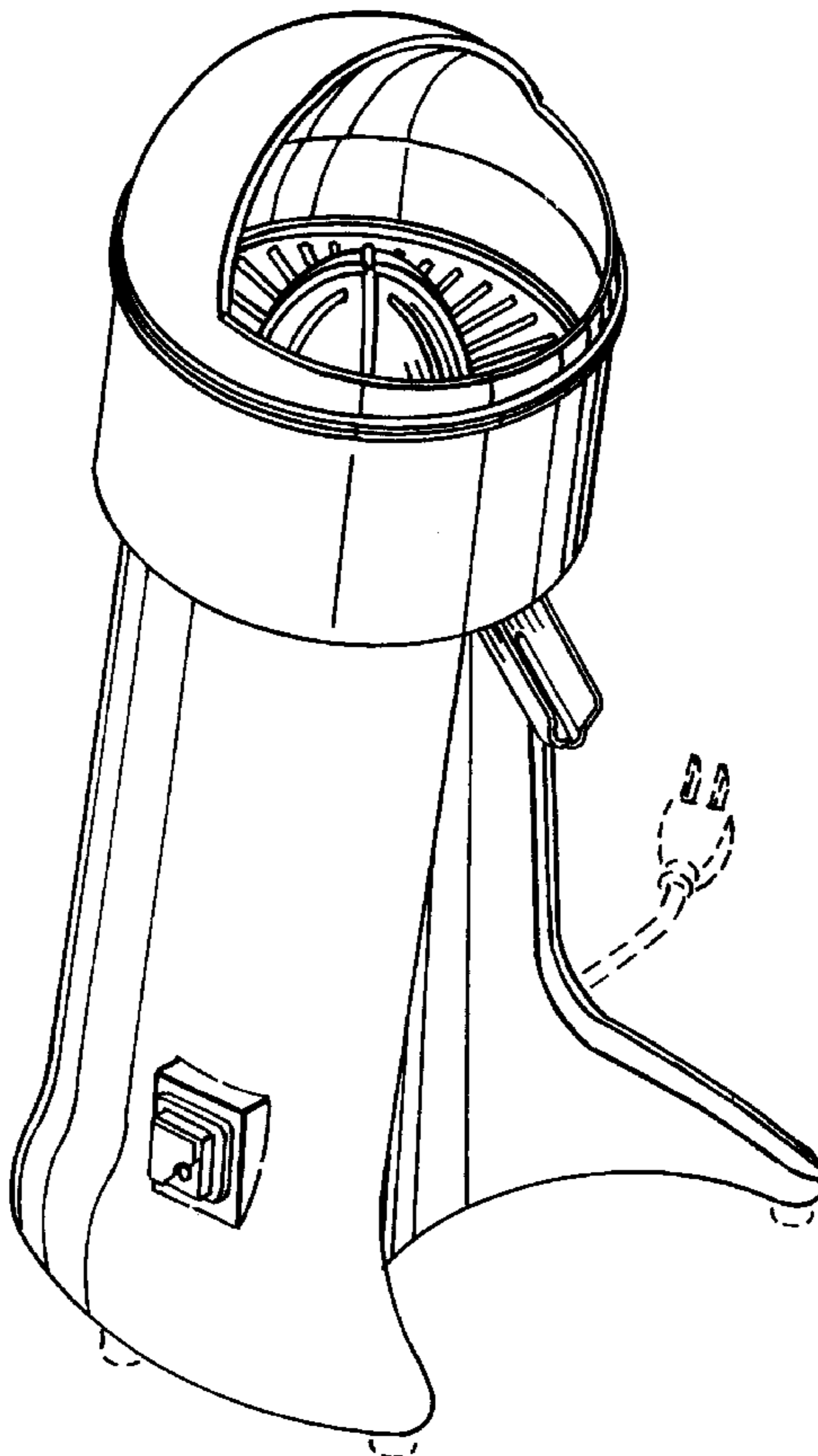
[57] **CLAIM**

The ornamental design for juicer, as shown and described.

DESCRIPTION

FIG. 1 is a perspective view as seen from the top, front, and left side of a juicer showing our new design; FIG. 2 is a front elevational view thereof; FIG. 3 is a top plan view thereof; FIG. 4 is a left side elevational view thereof; FIG. 5 is a right side elevational view thereof; FIG. 6 is a rear elevational view thereof; and, FIG. 7 is a bottom plan view thereof. The broken lines in FIGS. 1, 2, and 4 through 7 showing the power cord and feet are used for illustrative purposes only and form no part of the claimed design.

1 Claim, 3 Drawing Sheets



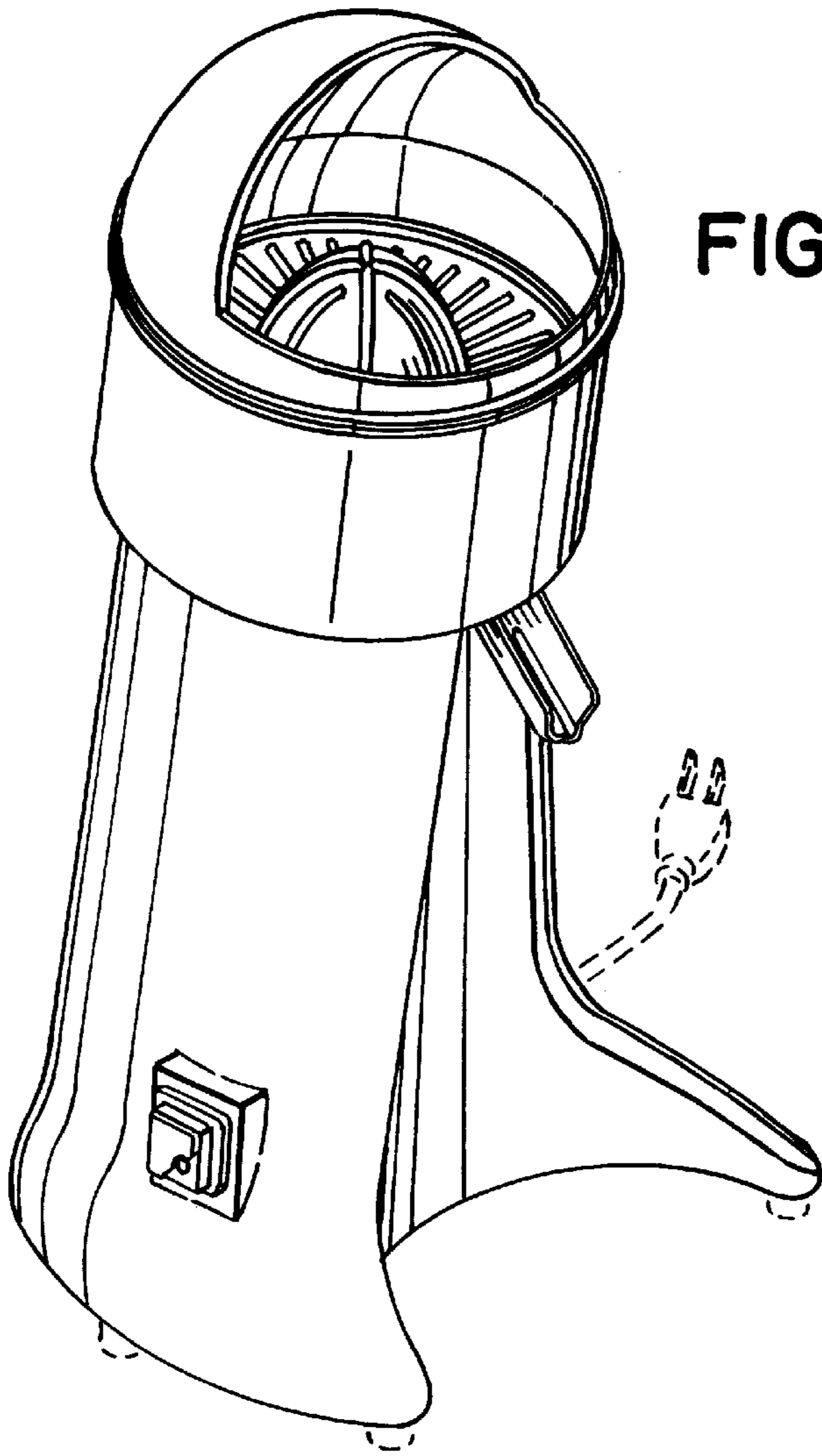


FIG-1

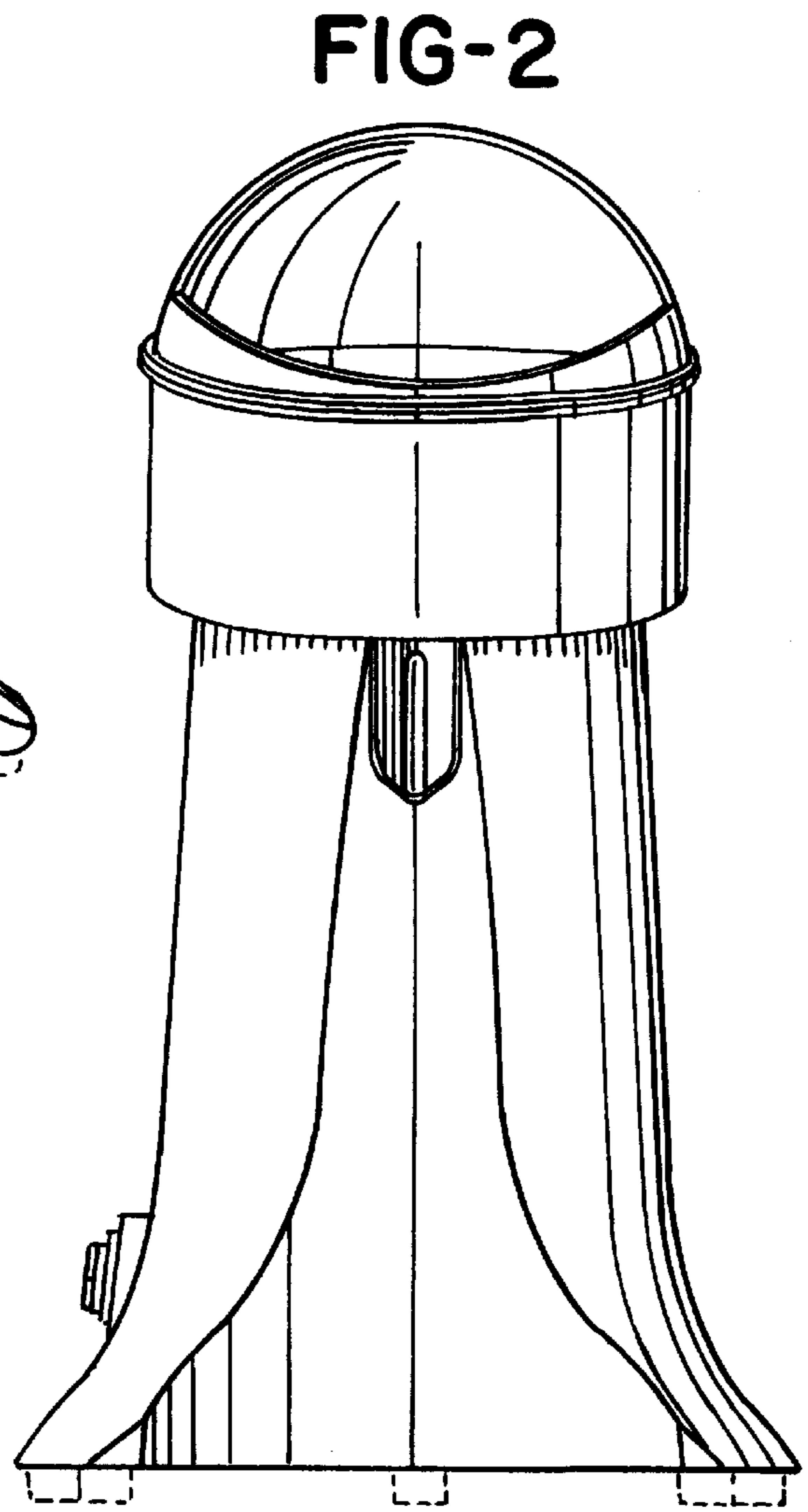


FIG-2

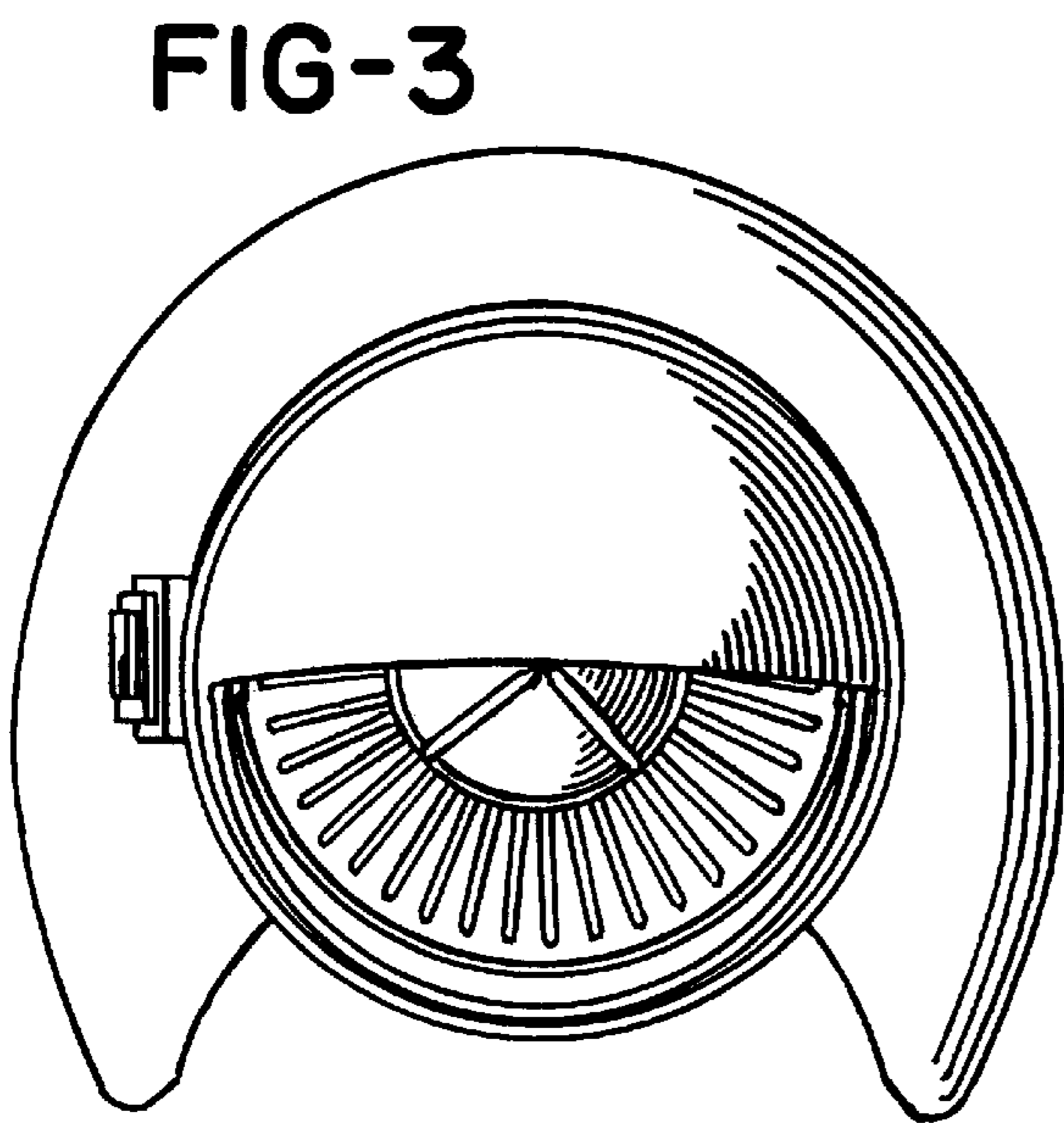


FIG-3

FIG-4

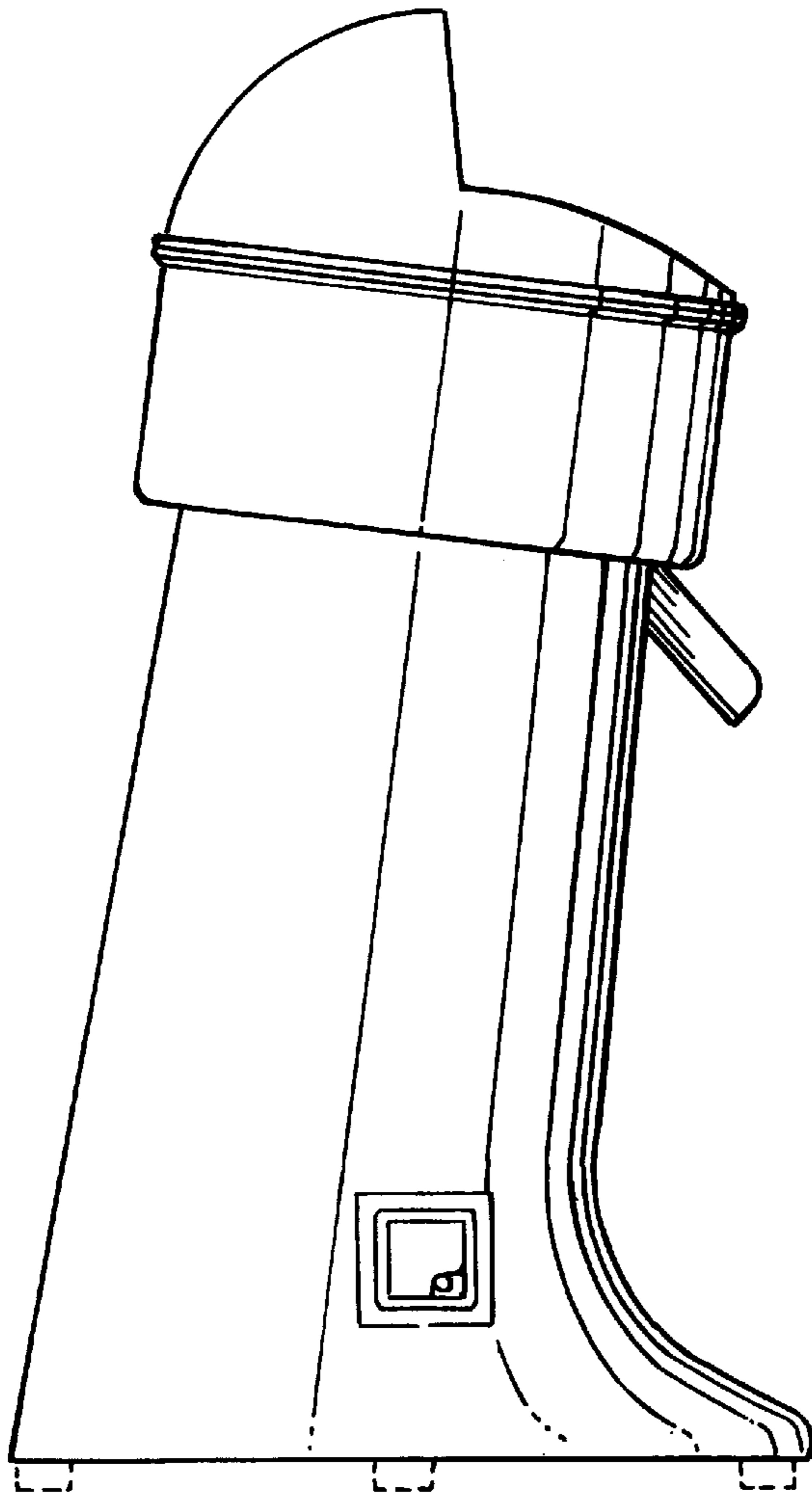


FIG-5

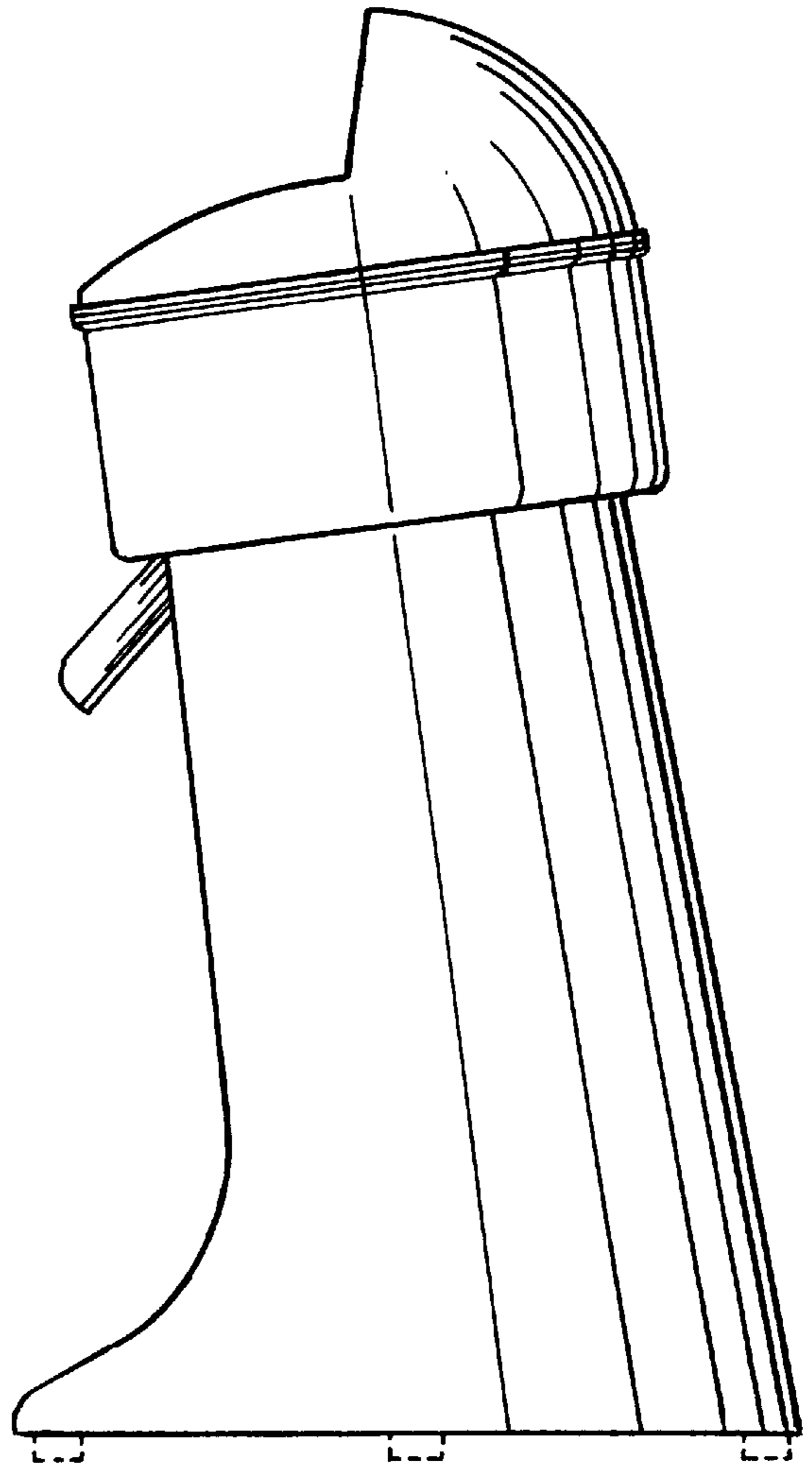


FIG-6

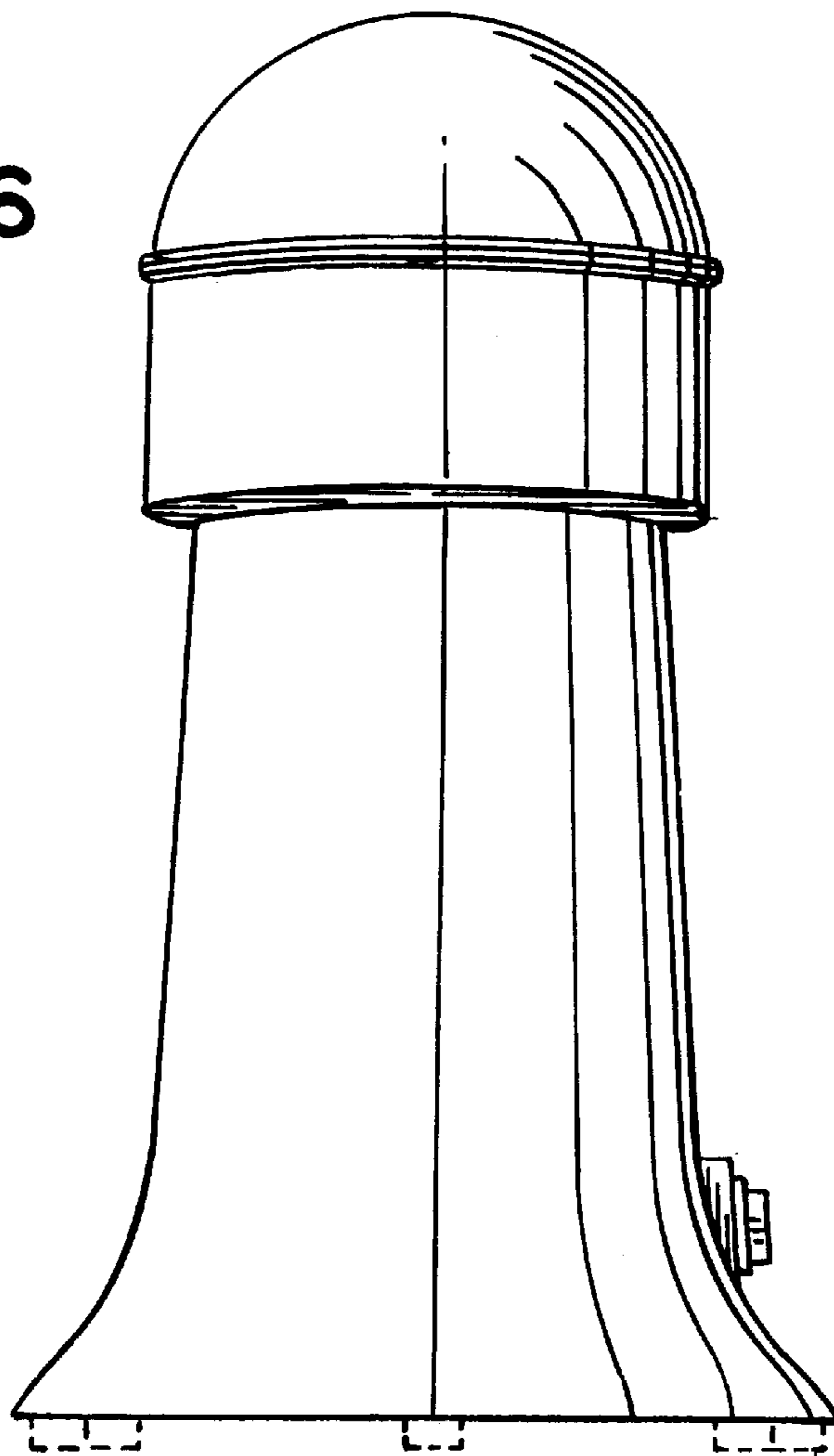


FIG-7

