



US00D431962S

United States Patent [19]

Demers

[11] Patent Number: **Des. 431,962**

[45] Date of Patent: **** Oct. 17, 2000**

[54] **CURVED HANDLE WITH ELLIPTICAL HEAD FOR KITCHEN UTENSILS**

5,737,803 4/1998 Tisdale 16/111 R
5,964,009 10/1999 Hoepfl 16/111 R

[75] Inventor: **Brian J. Demers**, Orlando, Fla.

Primary Examiner—Caron D. Veynar
Attorney, Agent, or Firm—Taylor J. Ross

[73] Assignee: **Dart Industries Inc.**, Orlando, Fla.

[57] **CLAIM**

[**] Term: **14 Years**

The ornamental design for a curved handle with elliptical head for kitchen utensils, as shown and described.

[21] Appl. No.: **29/114,783**

DESCRIPTION

[22] Filed: **Dec. 1, 1999**

[51] **LOC (7) Cl.** **07-04**

[52] **U.S. Cl.** **D7/401.2**

[58] **Field of Search** D7/401.2, 642, D7/649, 650, 652, 653, 662-664, 669, 678, 682, 688, 693, 393, 395; 16/110.1, 430, 431, DIG. 12, DIG. 18, DIG. 19; 30/323, 327, 329, 340, 345; D8/107

FIG. 1 is a top, side and front perspective view of a first embodiment of a curved handle with elliptical head for kitchen utensils showing the new design; FIG. 2 is a right side elevation view thereof; FIG. 3 is a left side elevation view thereof; FIG. 4 is a front elevation view thereof; FIG. 5 is a rear elevation view thereof; FIG. 6 is a top plan view thereof; and FIG. 7 is a bottom plan view thereof.

[56] References Cited

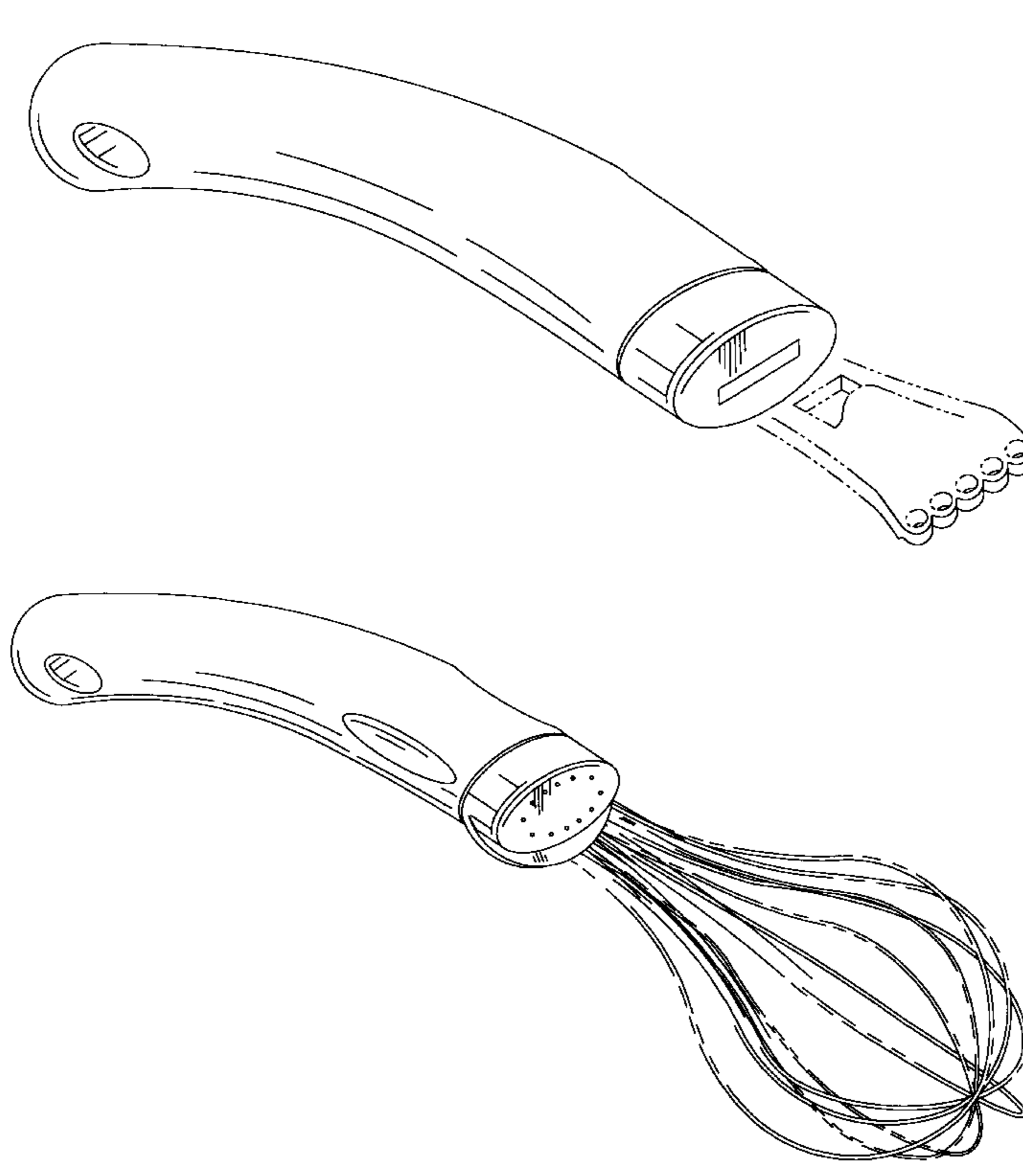
U.S. PATENT DOCUMENTS

D. 252,791	9/1979	Reinschreiber	D7/649
D. 269,400	6/1983	Usbeck	D7/395
D. 284,634	7/1986	Sumikama	D7/395
D. 323,095	1/1992	Usbeck	D7/395
D. 350,835	9/1994	Wang	D7/395 X
D. 362,588	9/1995	Cohen	D7/393
D. 366,185	1/1996	Lie	D7/401.2
D. 374,795	10/1996	Lie	D7/395
D. 378,796	4/1997	DeCoster	D7/683
D. 413,232	8/1999	Conner	D7/649
4,178,684	12/1979	Mightly	30/344
4,481,689	11/1984	Westmoreland	30/169 X

FIG. 8 is a top, side and front perspective view of a second embodiment of a curved handle with elliptical head for kitchen utensils showing the new design; FIG. 9 is a right side elevation view thereof; FIG. 10 is a left side elevation view thereof; FIG. 11 is a front elevation view thereof; FIG. 12 is a rear elevation view thereof; FIG. 13 is a top plan view thereof; and, FIG. 14 is a bottom plan view thereof.

The broken line showing environmental structure is for illustrative purposes only and forms no part of the claimed design.

1 Claim, 6 Drawing Sheets



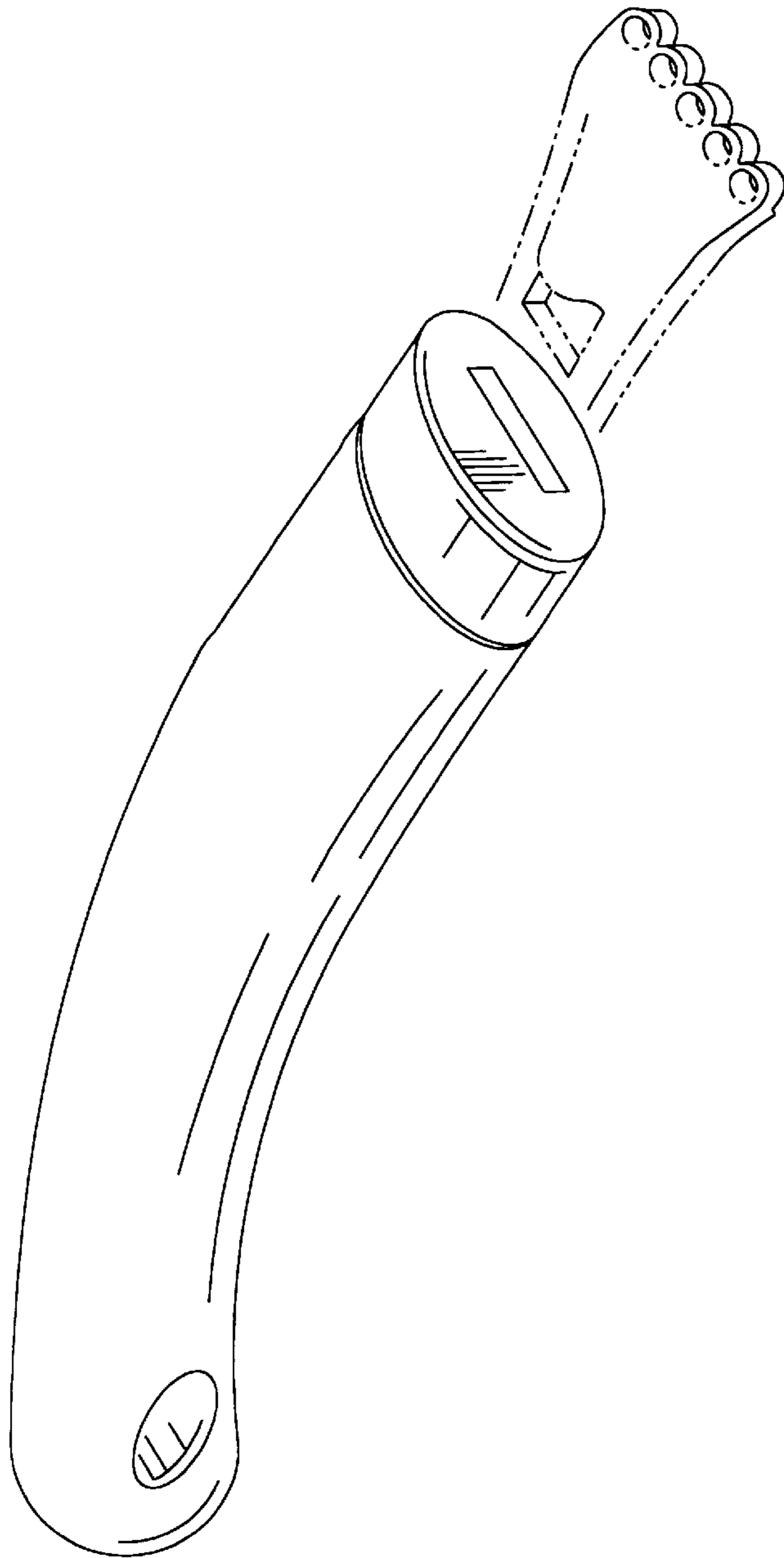


FIG. 1



FIG. 2



FIG. 3

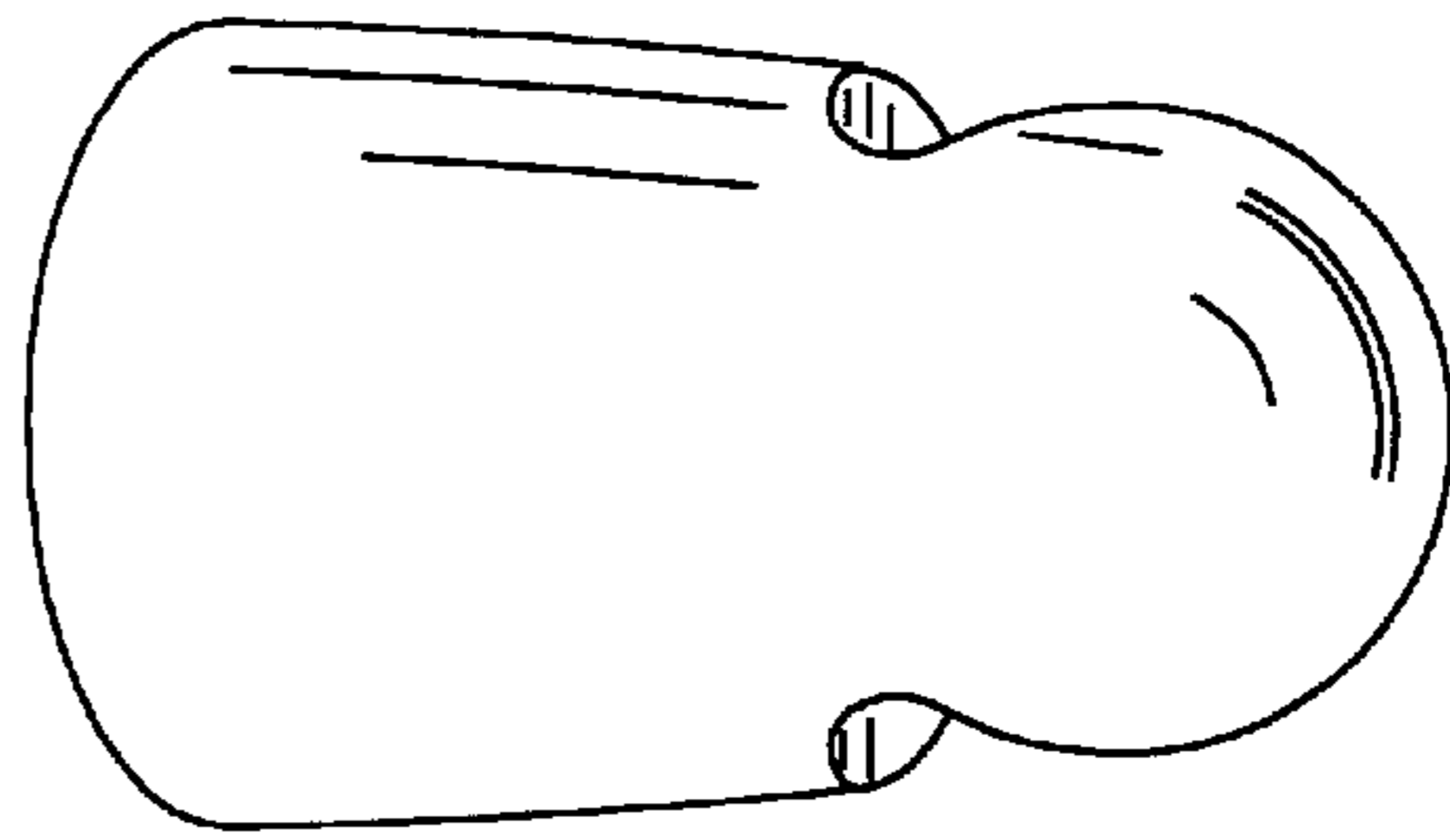


FIG. 5

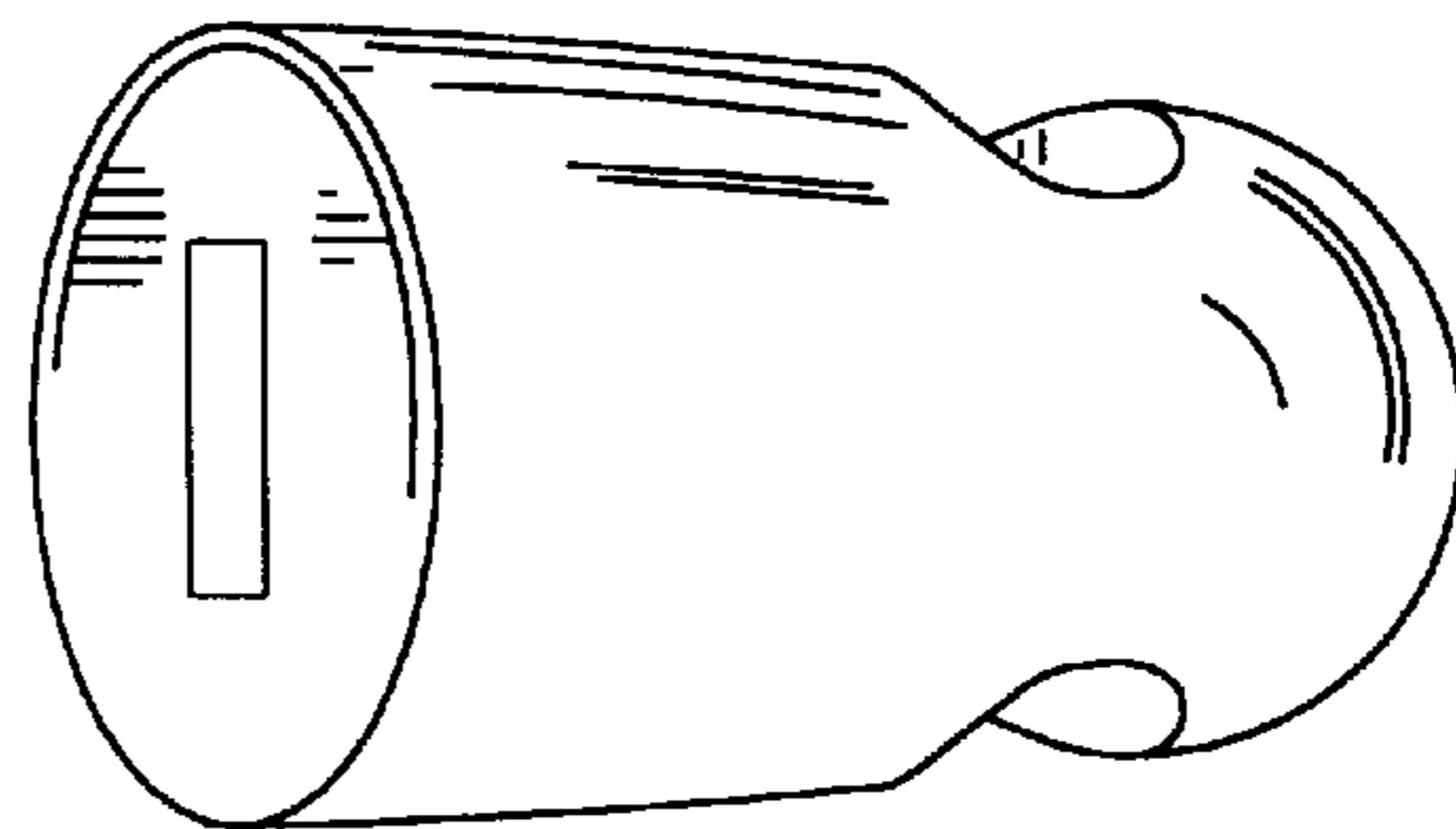


FIG. 4

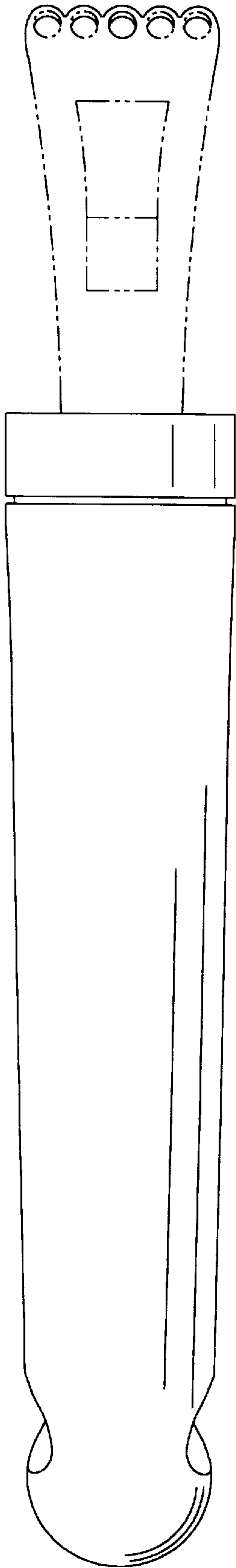


FIG. 6

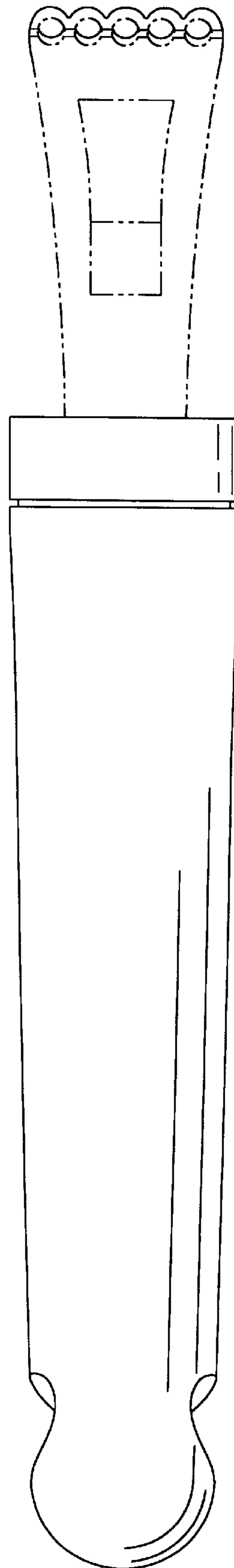


FIG. 7

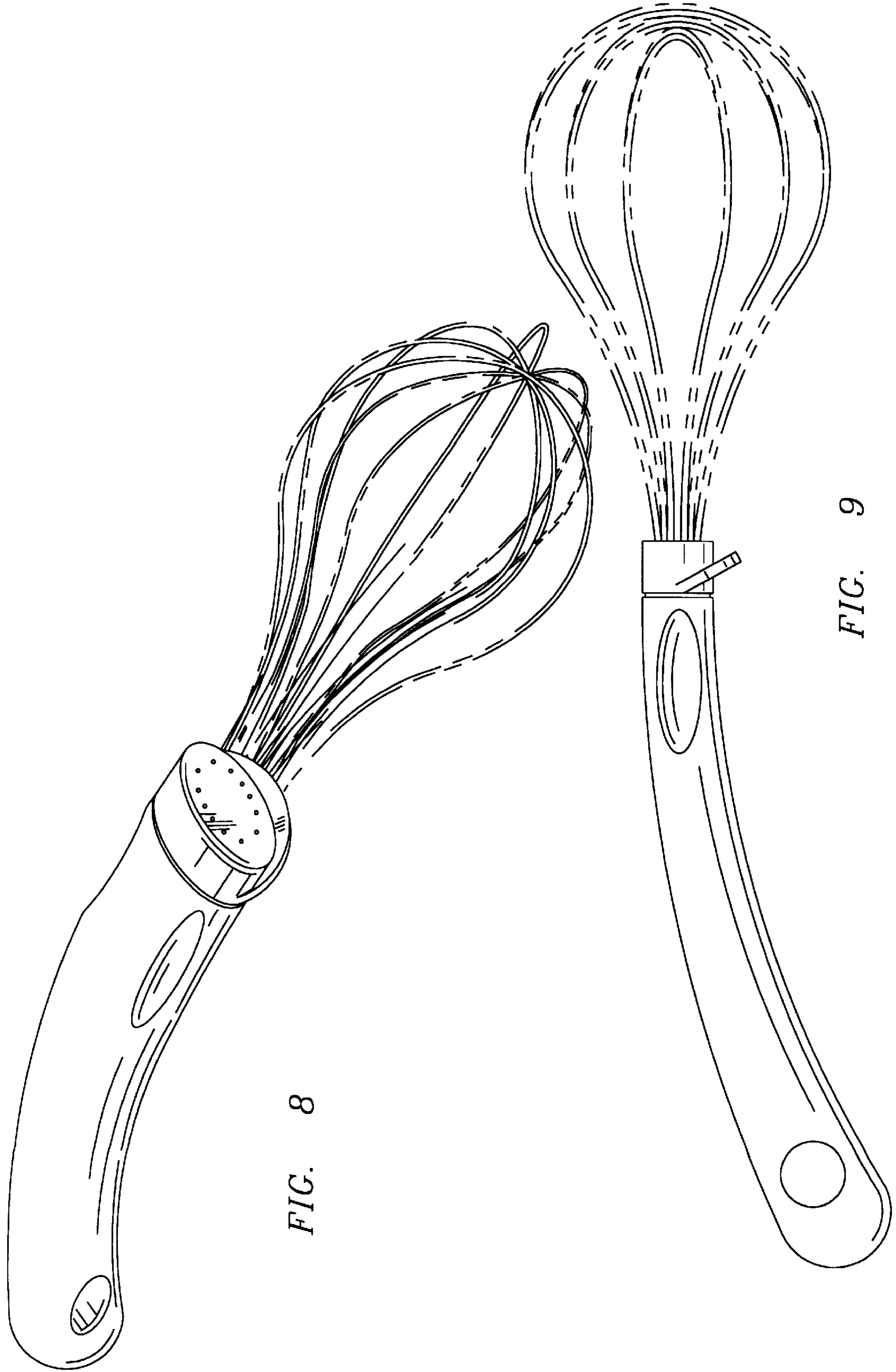


FIG. 8

FIG. 9

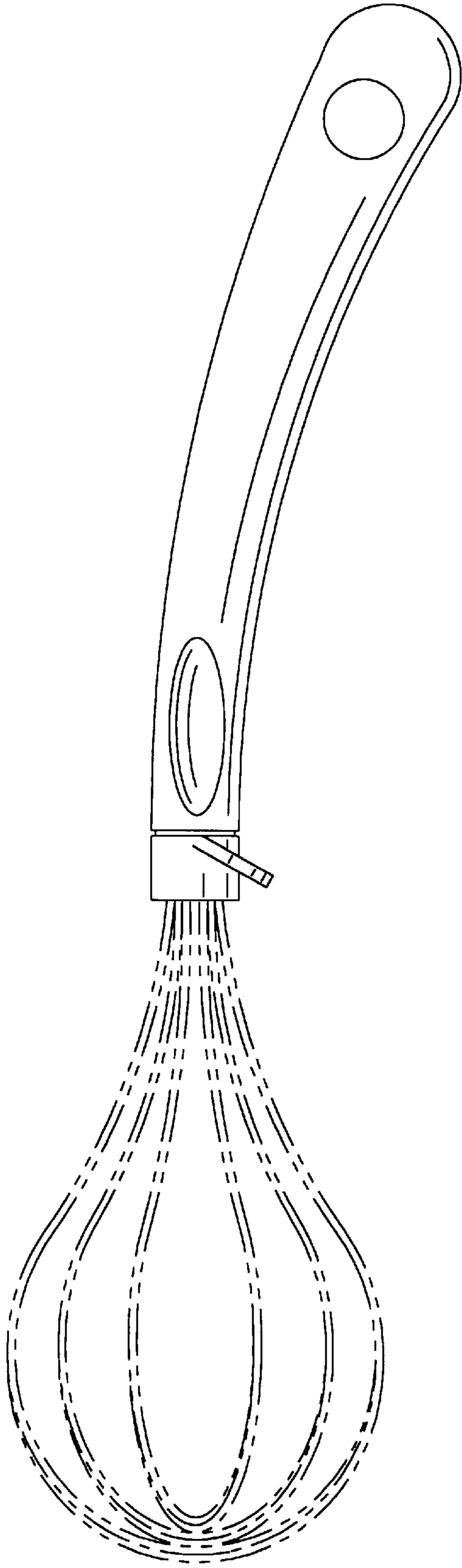


FIG. 10

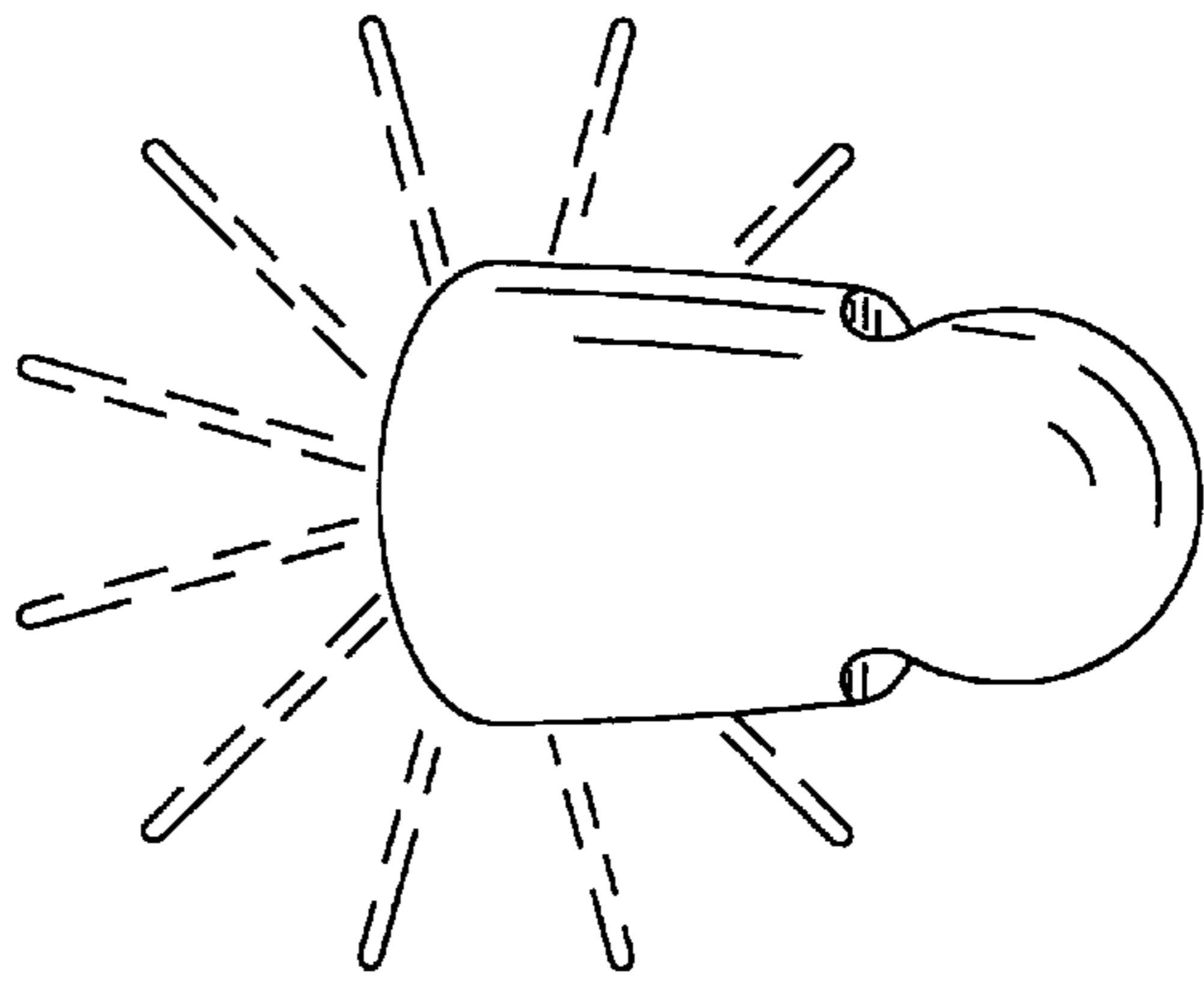


FIG. 11

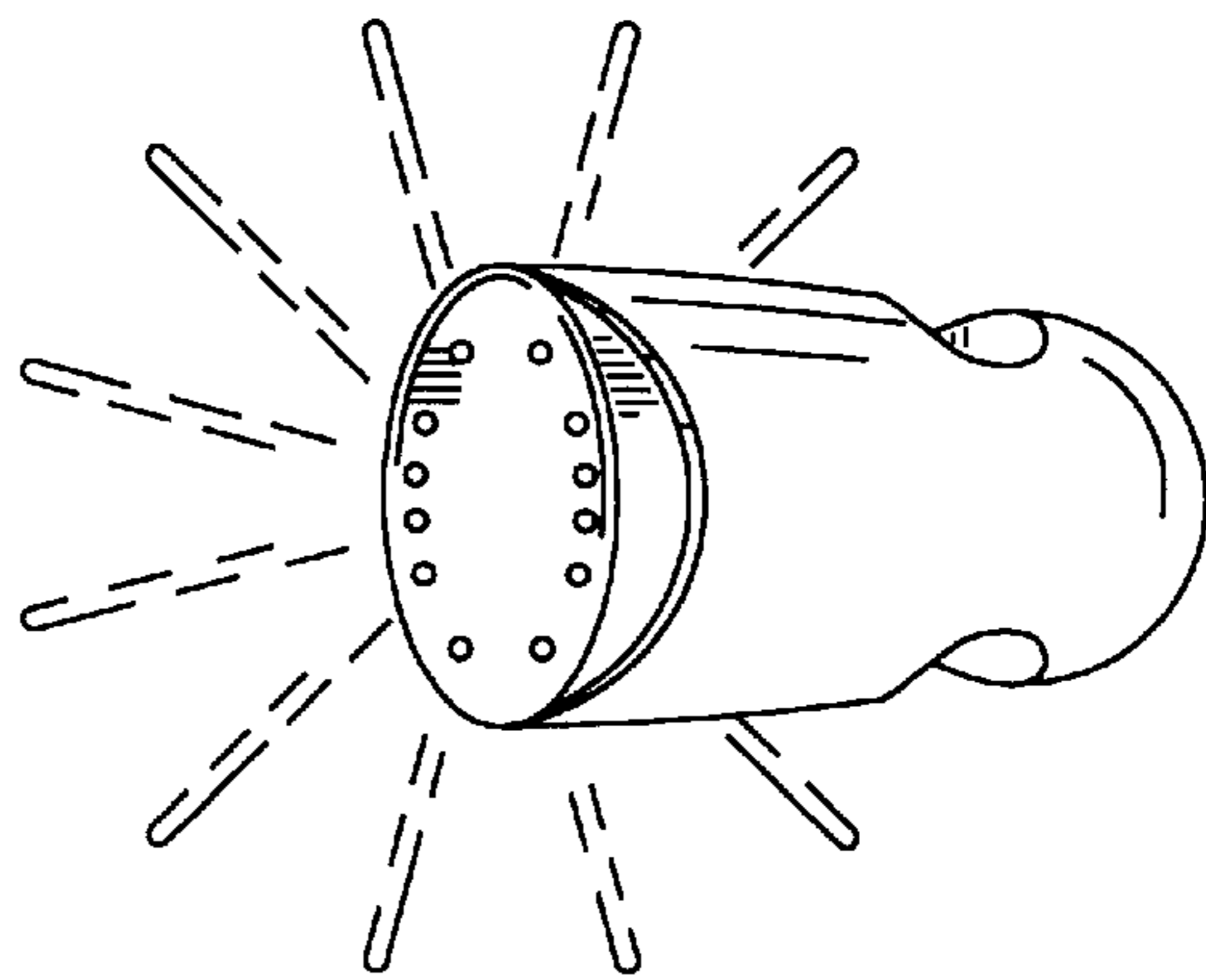


FIG. 12

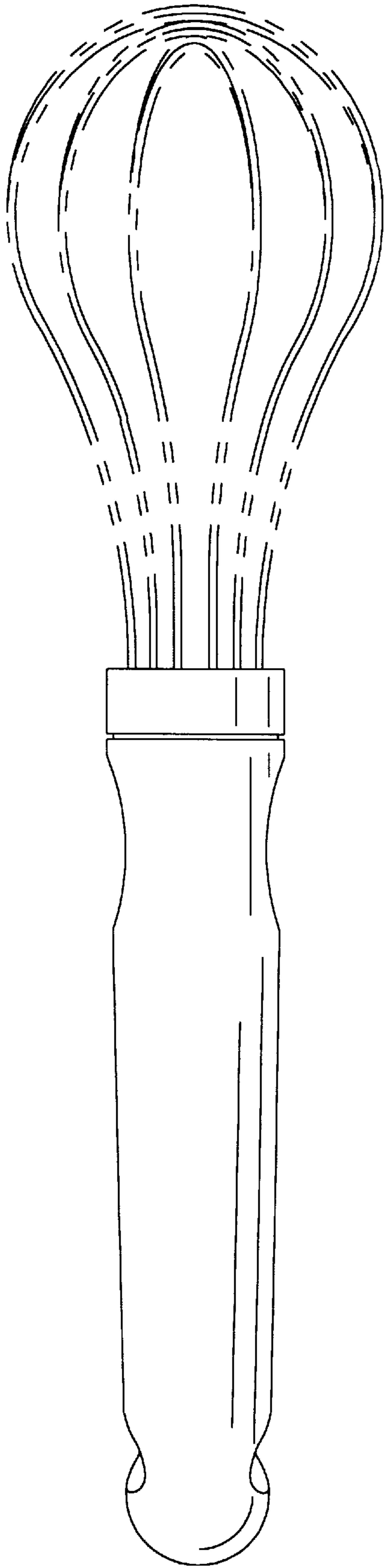


FIG. 13

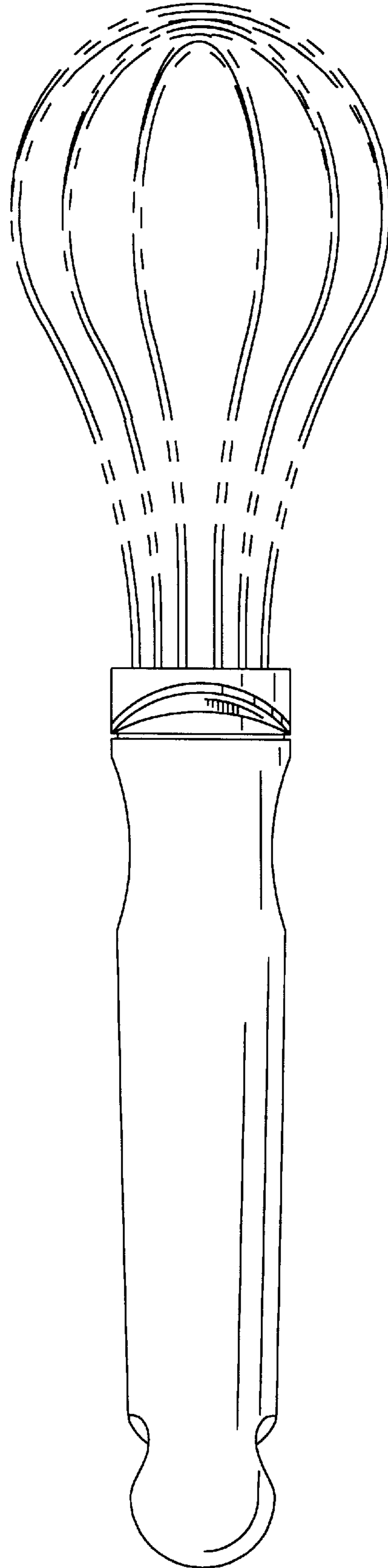


FIG. 14