



US00D431956S

United States Patent [19]
Chouraqui et al.

[11] **Patent Number: Des. 431,956**

[45] **Date of Patent: ** Oct. 17, 2000**

[54] **COMBINED DISC SHAPED HOLDER AND CARD**

[76] Inventors: **Jean Chouraqui**, 15 rue Cardinale, 13100 Aix en Provence; **Michel Forgues**, 25, rue de l'Eglise, 31150 Fenouillet, both of France

[**] Term: **14 Years**

[21] Appl. No.: **29/100,262**

[22] Filed: **Feb. 8, 1999**

[30] **Foreign Application Priority Data**

Aug. 7, 1998 [FR] France 98 4661

[51] **LOC (7) Cl.** **06-04**

[52] **U.S. Cl.** **D6/635; D3/201; D6/407**

[58] **Field of Search** D3/201, 215; D6/407, D6/408, 626-635; D14/124; 206/307, 307.1, 308.1, 308.3, 309, 310, 311, 312, 313, 387.13, 232, 234, 315.1, 37.4; 220/520; 369/291

[56] **References Cited**

U.S. PATENT DOCUMENTS

3,753,490	8/1973	Mowrey	206/308.3
4,072,229	2/1978	Lloyd et al.	206/309
4,316,281	2/1982	Prusak	369/291
4,387,807	6/1983	Rosa	206/312
4,774,618	9/1988	Raviv	.	
5,421,453	6/1995	Harrer et al.	206/312

5,462,158	10/1995	Kramer	206/307
5,539,819	7/1996	Sonoyama et al.	379/355
5,713,605	2/1998	Pace et al.	281/38
5,950,822	9/1999	Cloran et al.	206/310
5,957,281	9/1999	Collins	206/307.1
5,960,949	10/1999	Wynalda, Jr.	206/307.1

FOREIGN PATENT DOCUMENTS

0 343 982	11/1989	European Pat. Off.	.
2 239 974	7/1991	United Kingdom	.

Primary Examiner—Celia Murphy
Attorney, Agent, or Firm—Paul & Paul

[57] **CLAIM**

We claim the ornamental design a combined disc shaped holder and card, as shown and described.

DESCRIPTION

FIG. 1 is a perspective view of a combined disc shaped holder and card showing our new design;
FIG. 2 is a top plan view of the compact disc holder of FIG. 1;
FIG. 3 is a side elevational view of the compact disc holder of FIG. 1.
FIG. 4 is a bottom plan view of the compact disc holder of FIG. 1.
FIG. 5 is a front elevational view of the compact disc holder of FIG. 1; and,
FIG. 6 is a rear elevational view of the compact disc holder of FIG. 1.

1 Claim, 2 Drawing Sheets

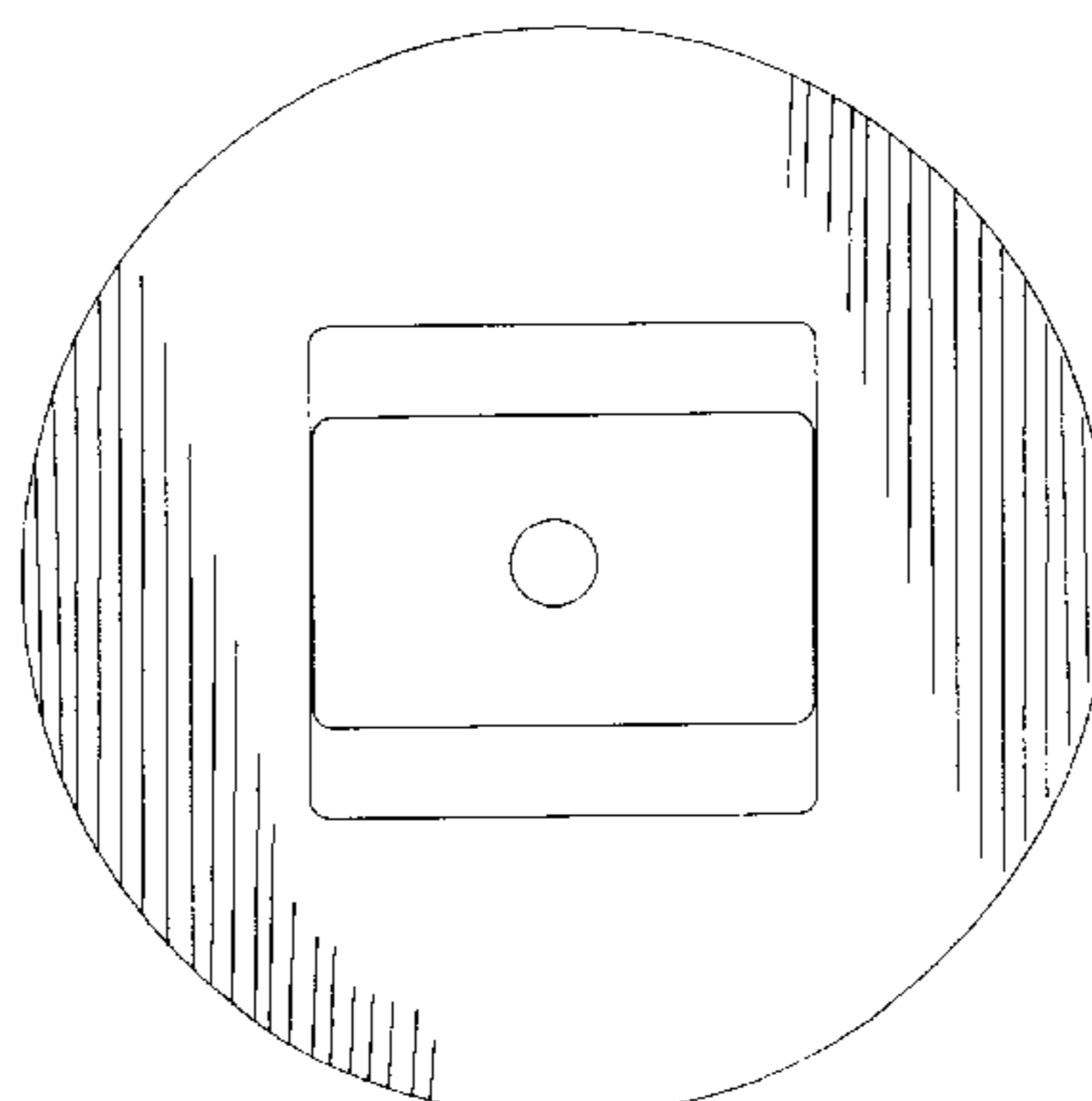
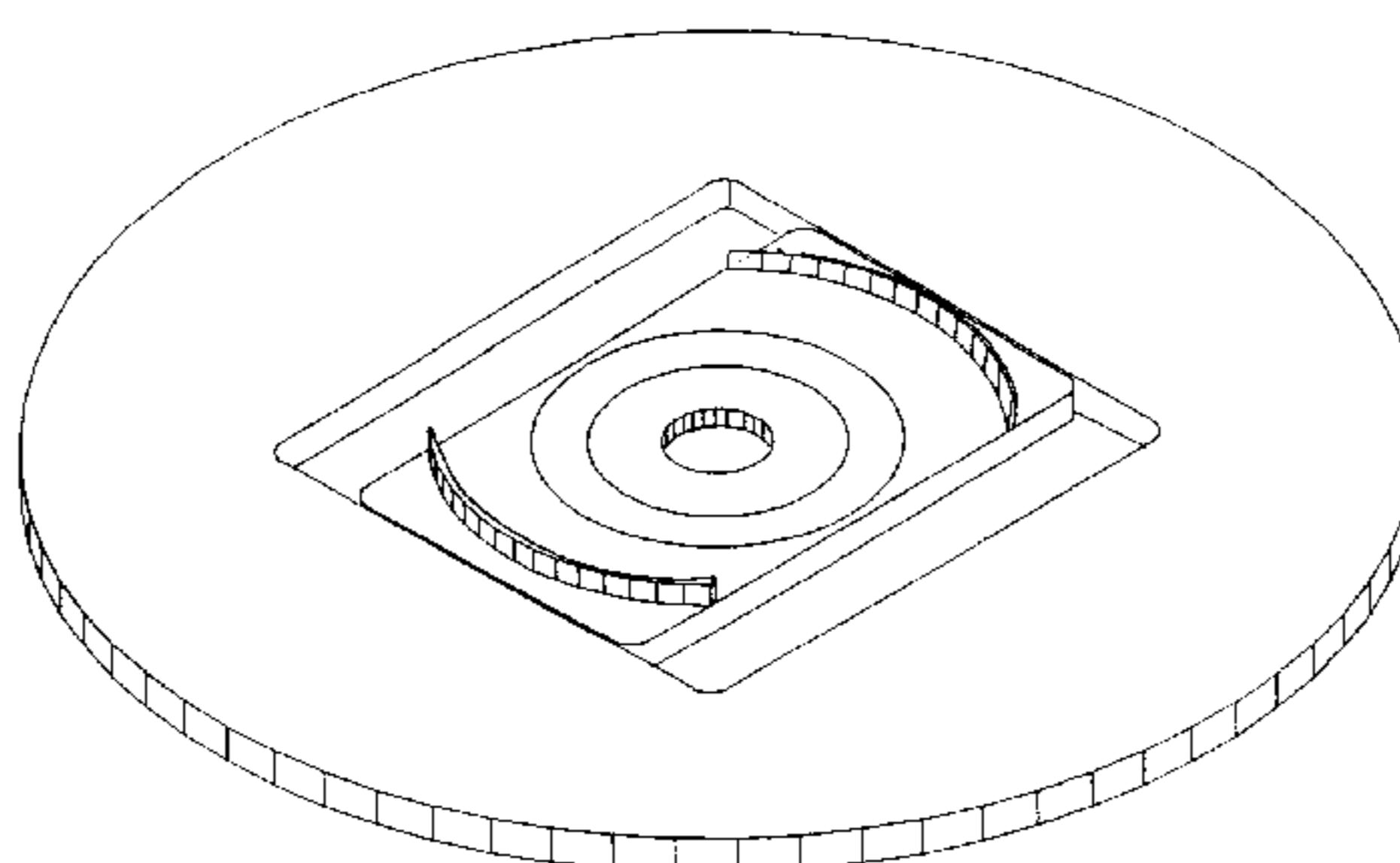


Figure 1

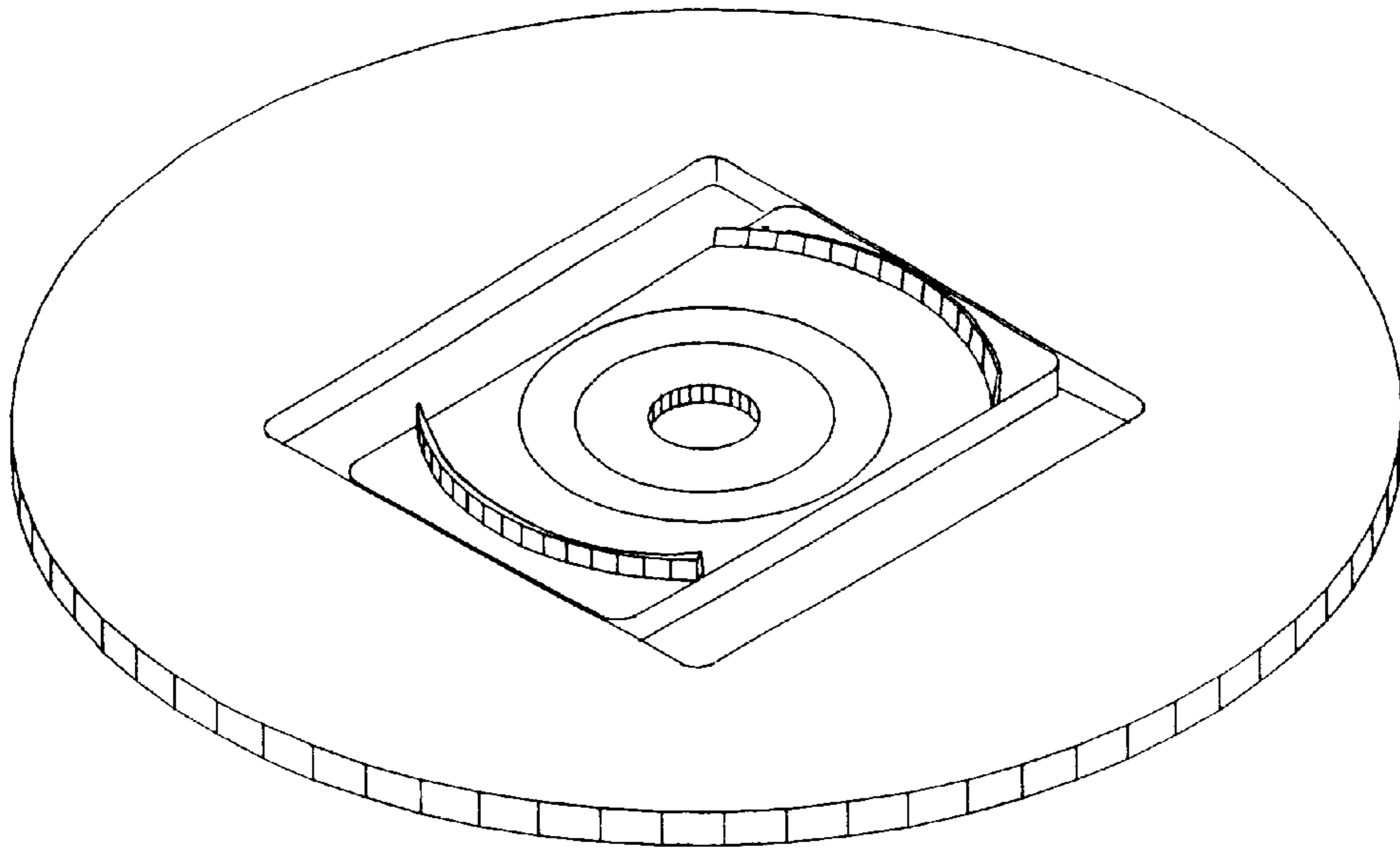


Figure 4

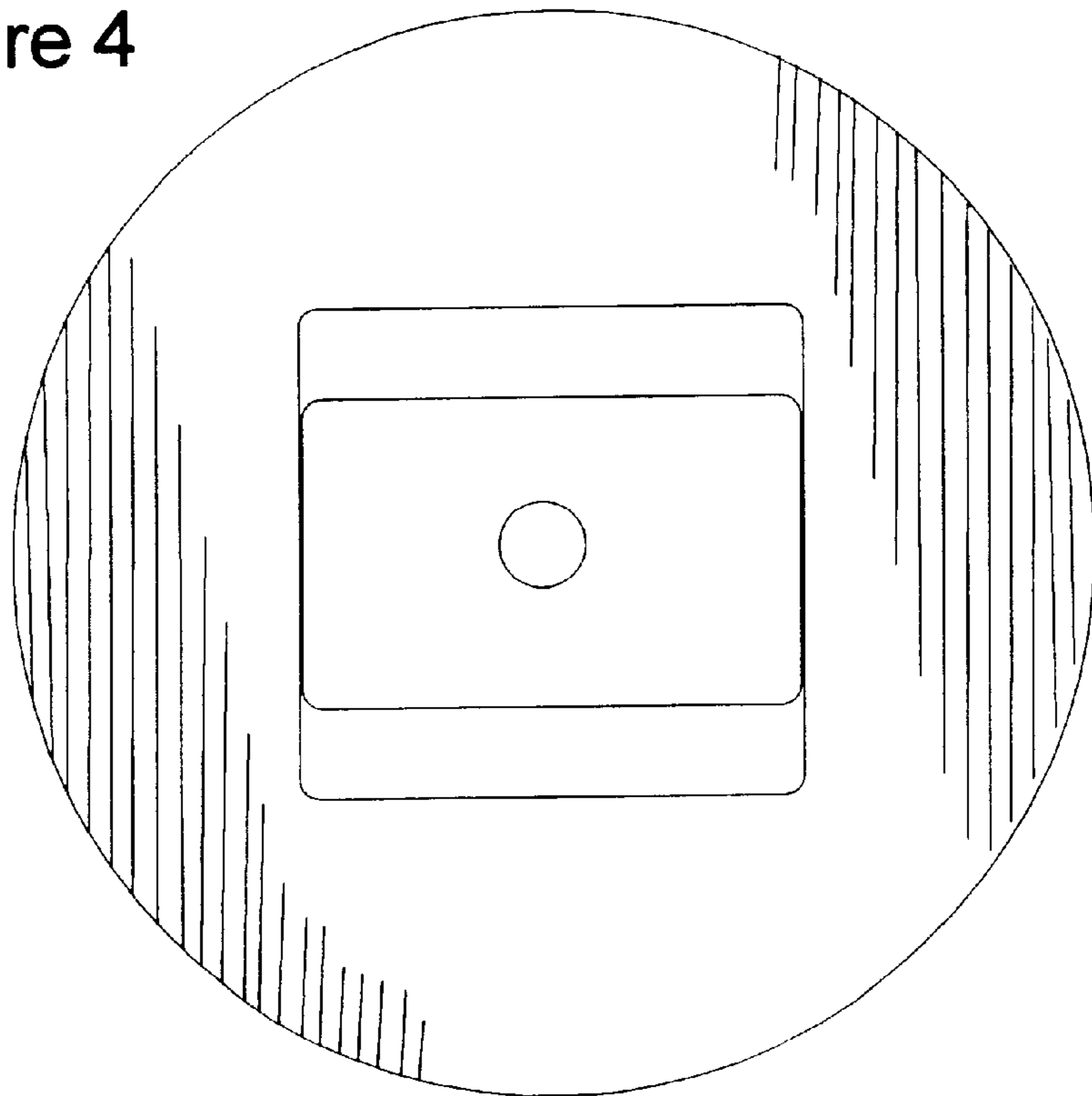


Figure 6

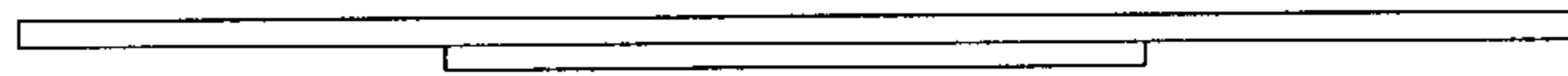


Figure 3



Figure 2

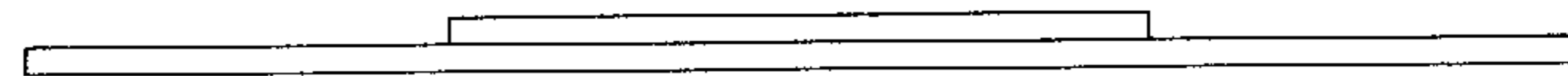
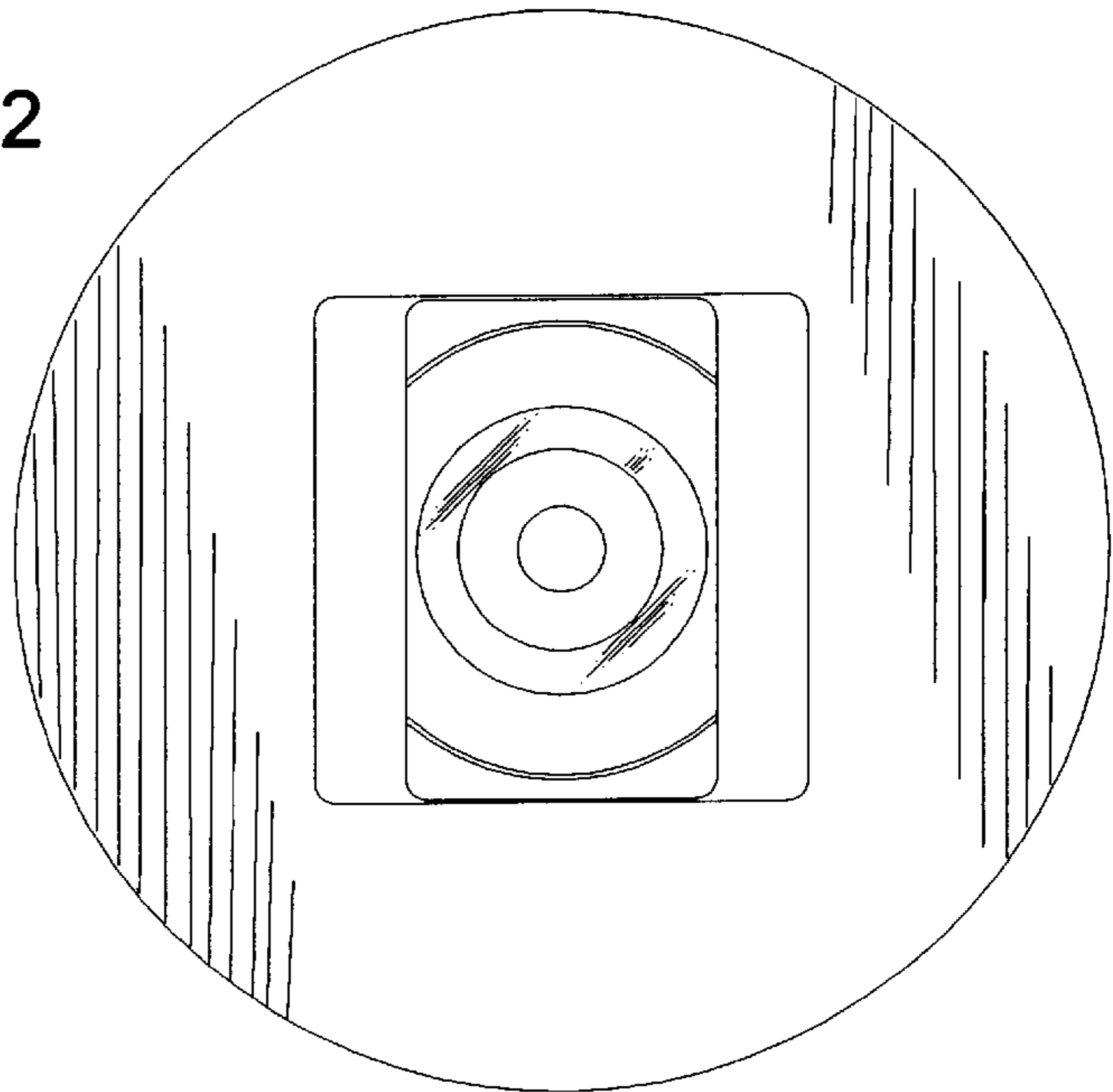


Figure 5