



US00D431955S

United States Patent [19]

[11] Patent Number: Des. 431,955

Peterson et al.

[45] Date of Patent: ** Oct. 17, 2000

[54] SINGLE DISK STORAGE CONTAINER

[57] CLAIM

[75] Inventors: **James N. Peterson**, North Canton;
James M. Byrne, Massillon; **Kevin E. Myszka**, Kent, all of Ohio

The ornamental design for the single disk storage container, as shown and described.

[73] Assignee: **AEI Acquisition, LLC**, North Canton, Ohio

DESCRIPTION

[**] Term: **14 Years**

FIG. 1 is a perspective view of the single disk storage container of the present invention in an open position; FIG. 2 is a front elevational view of the storage container of FIG. 1;

[21] Appl. No.: **29/119,398**

FIG. 3 is a top plan view of FIG. 2;

[22] Filed: **Feb. 29, 2000**

FIG. 4 is a left side elevational view of FIG. 2;

[51] **LOC (7) Cl.** **06-04**

FIG. 5 is a right side elevational view of FIG. 2;

[52] **U.S. Cl.** **D6/632; D6/407; D6/634**

FIG. 6 is a rear elevational view of FIG. 2;

[58] **Field of Search** D3/201; D6/407, D6/408, 626-635, 124; D14/26, 27; D19/32, 33, 74, 89; D27/340, 360; 40/626, 771, 775, 307; 150/149; 132/312; 206/307, 308.1, 308.3, 309, 311, 312, 313, 387.13, 396, 408, 730; 281/29; 229/67.1, 68.1, 70-72

FIG. 7 is a bottom plan view of FIG. 2;

FIG. 8 is a perspective view of a second embodiment of the single disk storage container of the present invention wherein the container is fabricated from a substantially transparent material;

[56] References Cited

U.S. PATENT DOCUMENTS

D. 260,122	8/1981	Turner	D6/634
D. 285,503	9/1986	Weiner	D6/634
D. 293,507	1/1988	Ogusu	D14/121
D. 318,368	7/1991	Evans	D6/634
D. 324,609	3/1992	Yasuhara et al.	D6/634
D. 386,013	11/1997	Tell	D6/407
D. 405,307	2/1999	Shinohe	D6/627
D. 406,002	2/1999	Price	D6/634
D. 420,832	2/2000	Cole, Sr.	D6/407
D. 421,870	3/2000	Boucard	D6/627
4,903,829	2/1990	Clemens	206/308.1
5,549,199	8/1996	Lindsay	206/308.1
5,769,217	6/1998	Derraugh et al.	206/308.1
5,788,068	8/1998	Fraser et al.	206/310
5,788,069	8/1998	Calhoun, III et al.	206/312
5,839,575	11/1998	Blanco	206/232
5,839,576	11/1998	Kim	206/308.1
6,024,214	2/2000	Cowan	206/308.1
6,056,117	5/2000	Courchesne	206/308.1

FIG. 9 is a front elevational view of the second embodiment of the storage container;

FIG. 10 is a top plan view of FIG. 9;

FIG. 11 is a left side elevational view of FIG. 9;

FIG. 12 is a right side elevational view of FIG. 9;

FIG. 13 is a rear elevational view of FIG. 9;

FIG. 14 is a bottom plan view of FIG. 9;

FIG. 15 is a perspective view of a third embodiment of the design shown in FIG. 1;

FIG. 16 is a front elevational view of the storage container of FIG. 15;

FIG. 17 is a top plan view of FIG. 16;

FIG. 18 is a left side elevational view of FIG. 16;

FIG. 19 is a right side elevational view of FIG. 16;

FIG. 20 is a rear elevational view of FIG. 16;

FIG. 21 is a bottom plan view of FIG. 16;

FIG. 22 is a perspective view of a fourth embodiment of the single disk storage container of the present invention wherein the container is fabricated from a substantially transparent material;

FIG. 23 is a front elevational view of the storage container of FIG. 22;

FIG. 24 is a top plan view of FIG. 23;

FIG. 25 is a left side elevational view of FIG. 23;

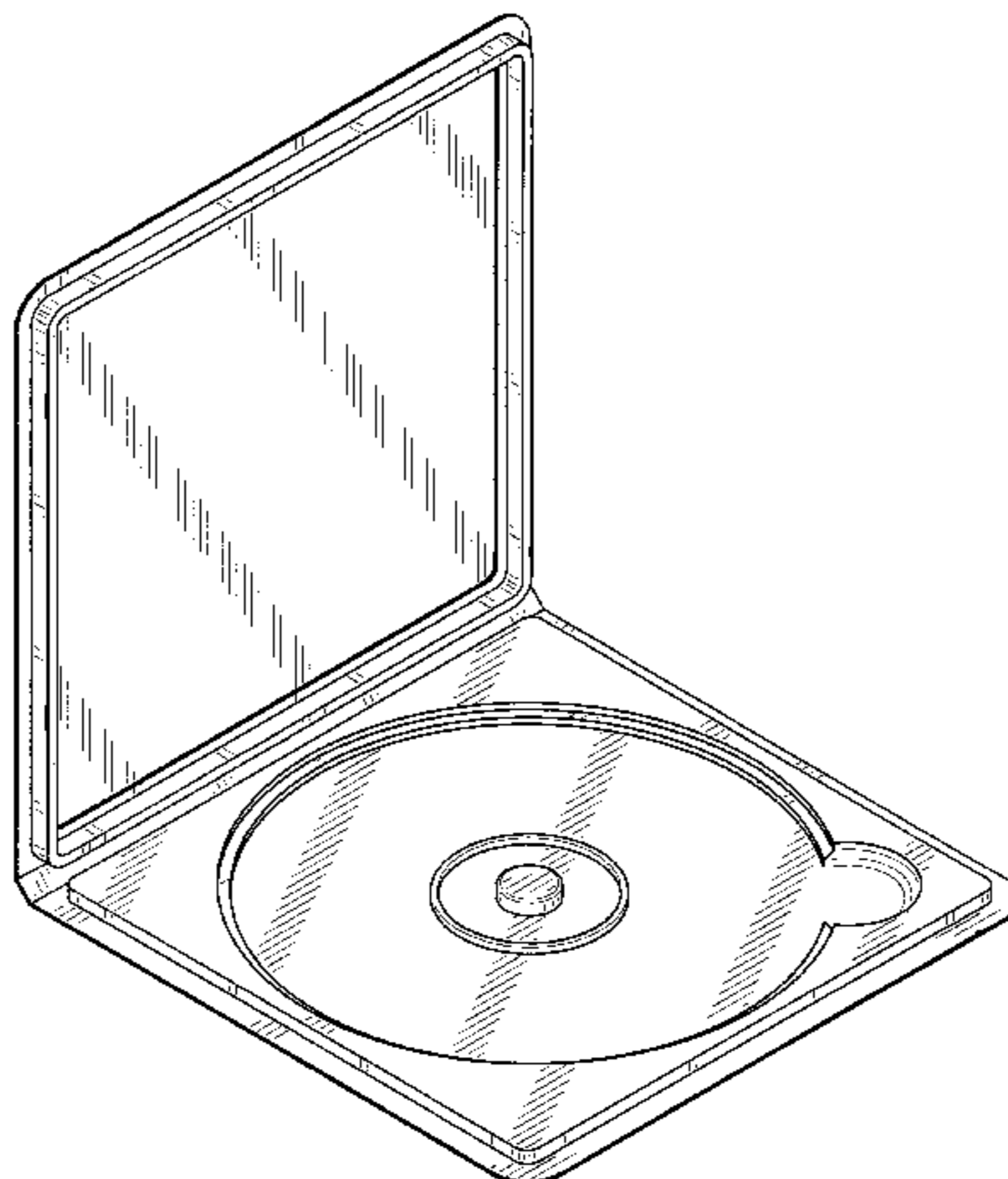
FIG. 26 is a right side elevational view of FIG. 23;

FIG. 27 is a rear elevational view of FIG. 23; and,

FIG. 28 is a bottom plan view of FIG. 23.

Primary Examiner—Celia Murphy
Attorney, Agent, or Firm—Sand & Sebolt

1 Claim, 16 Drawing Sheets



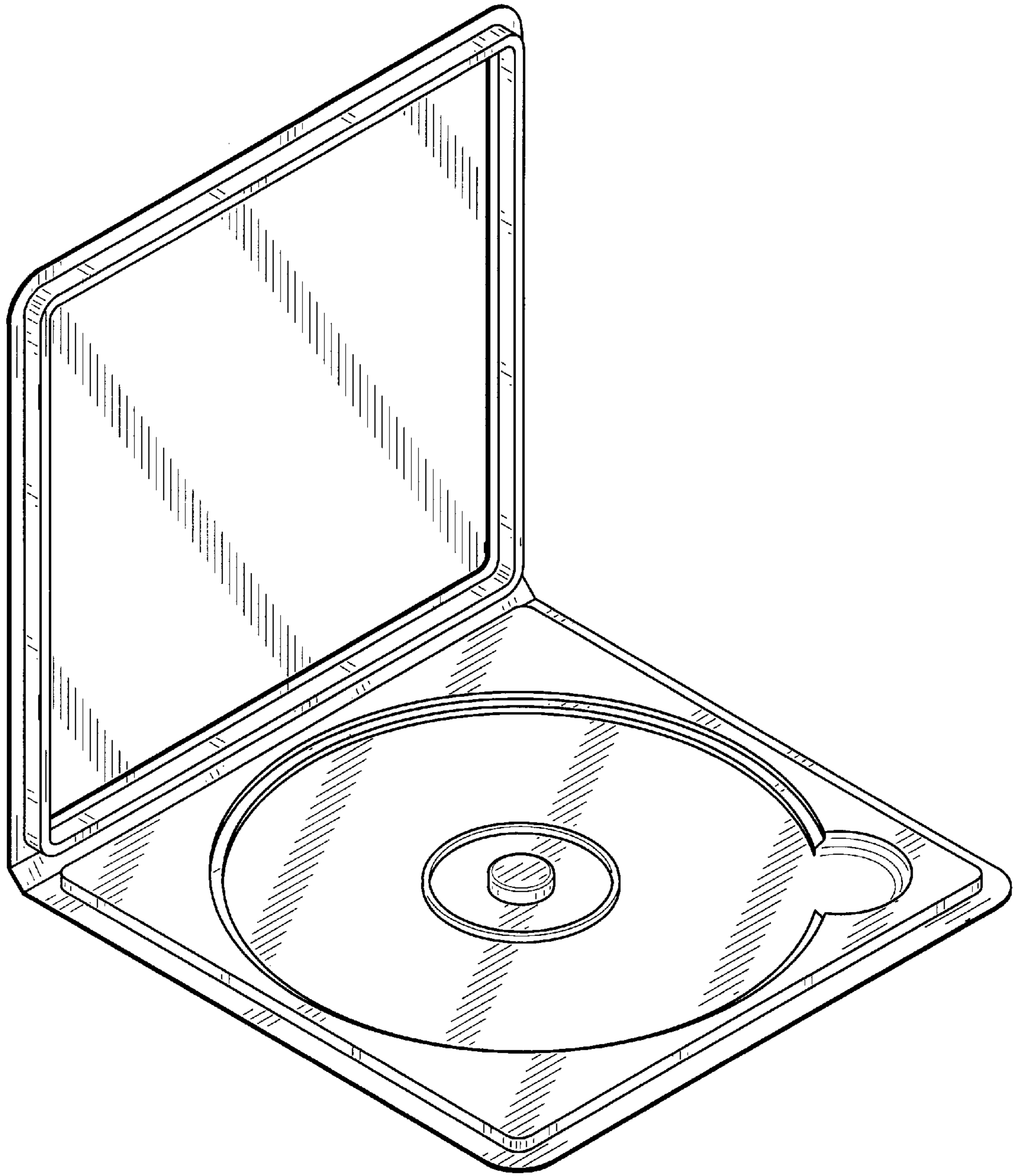


FIG. 1

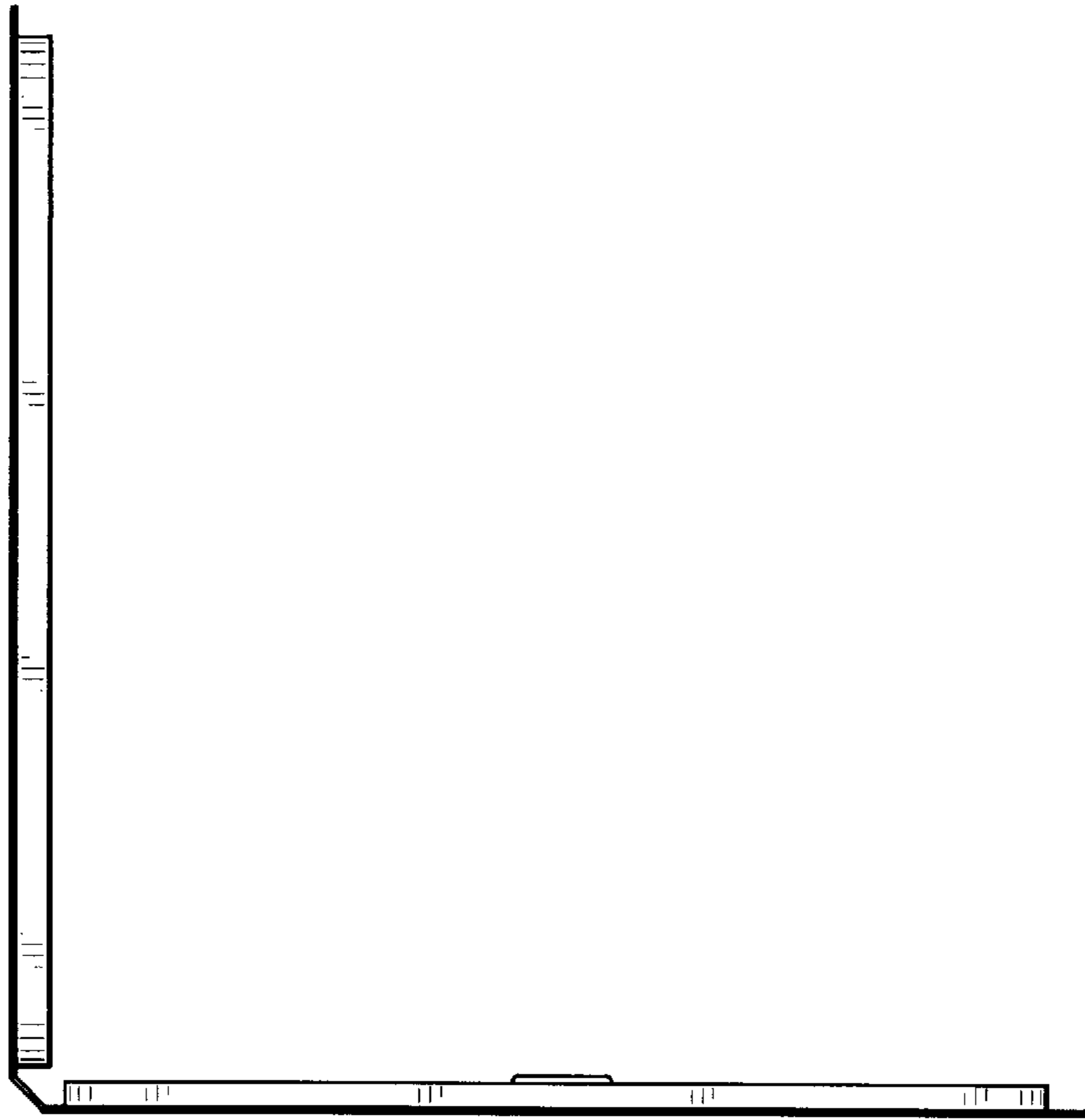


FIG. 2

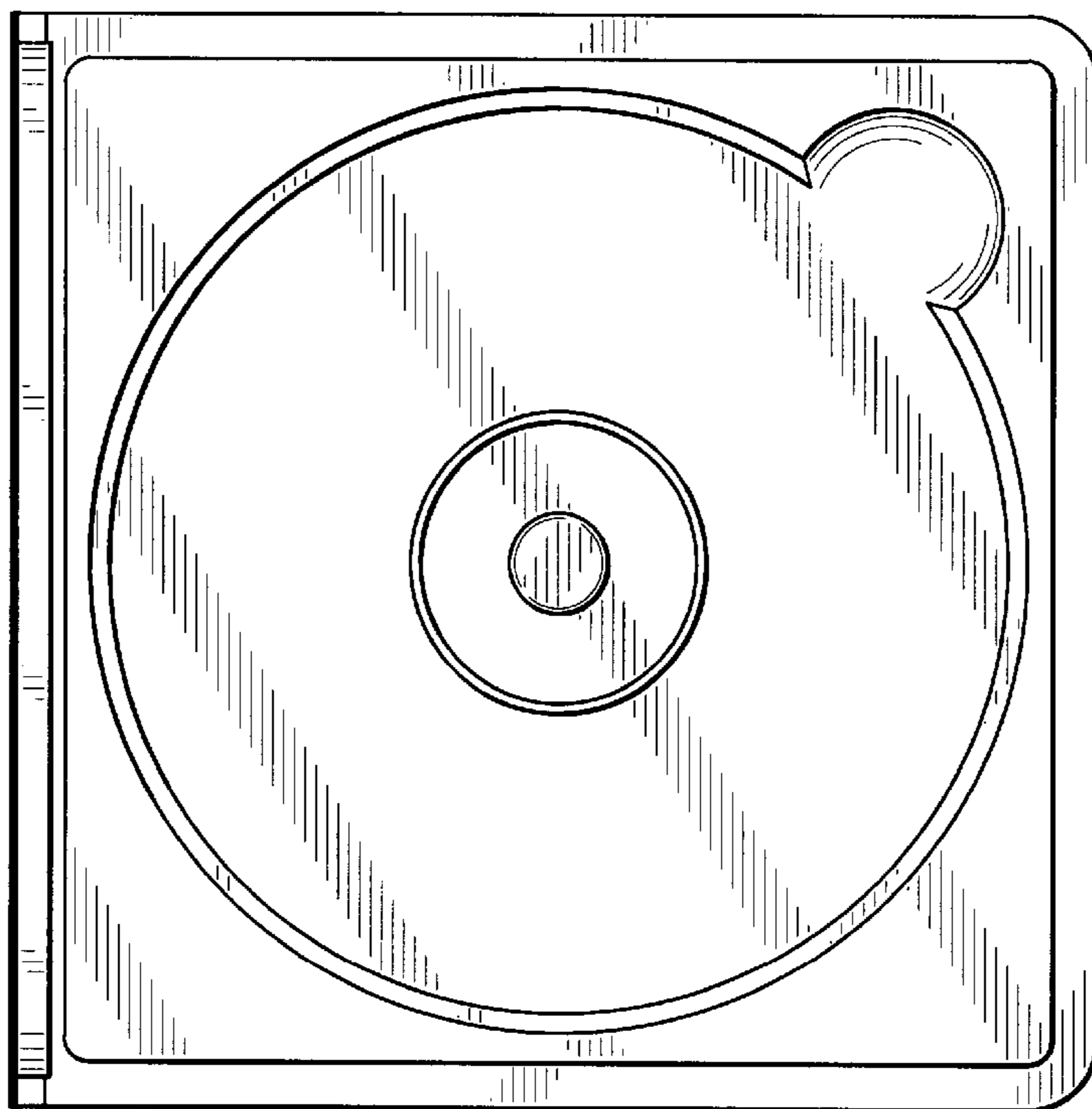


FIG. 3

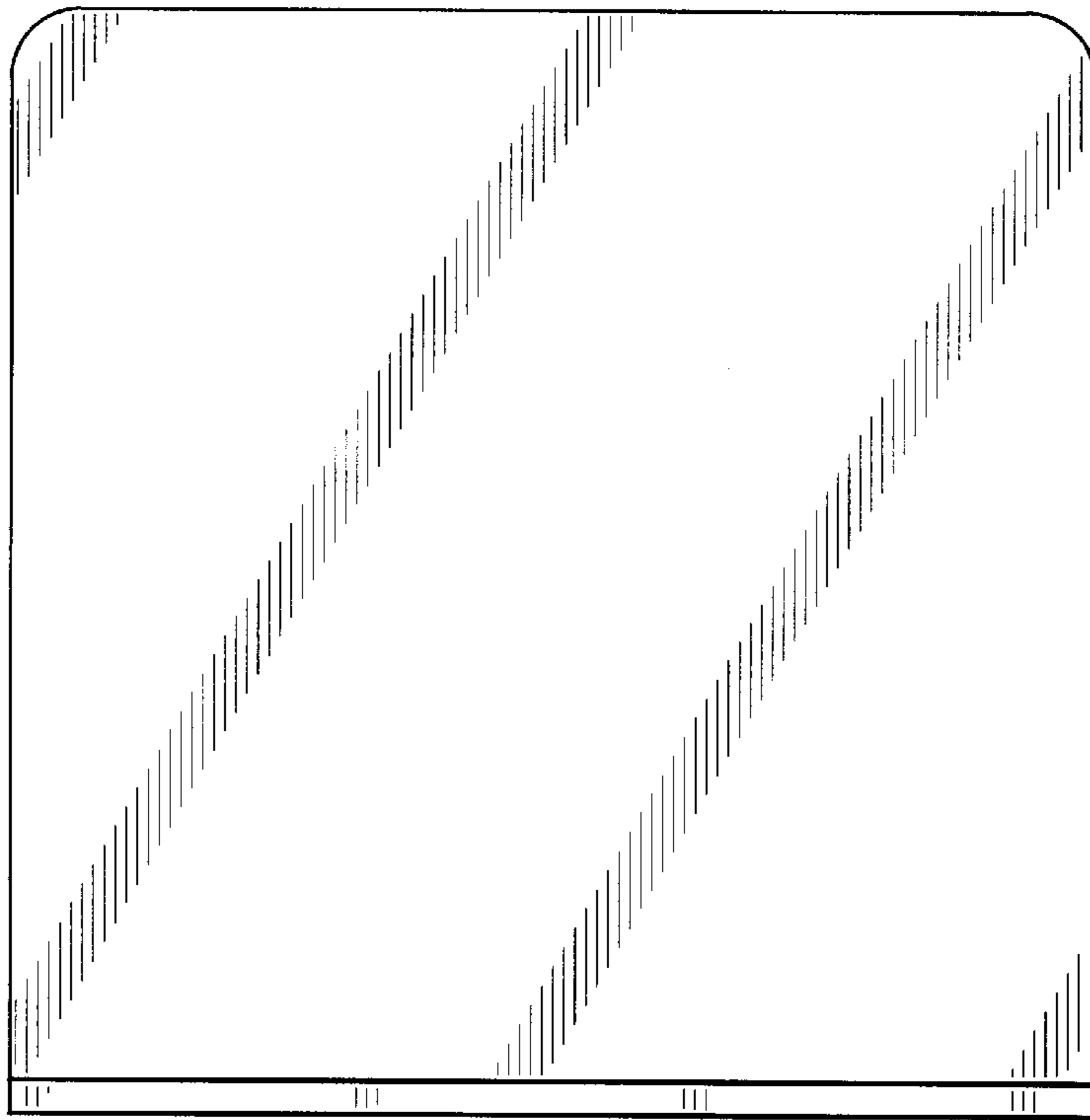


FIG. 4

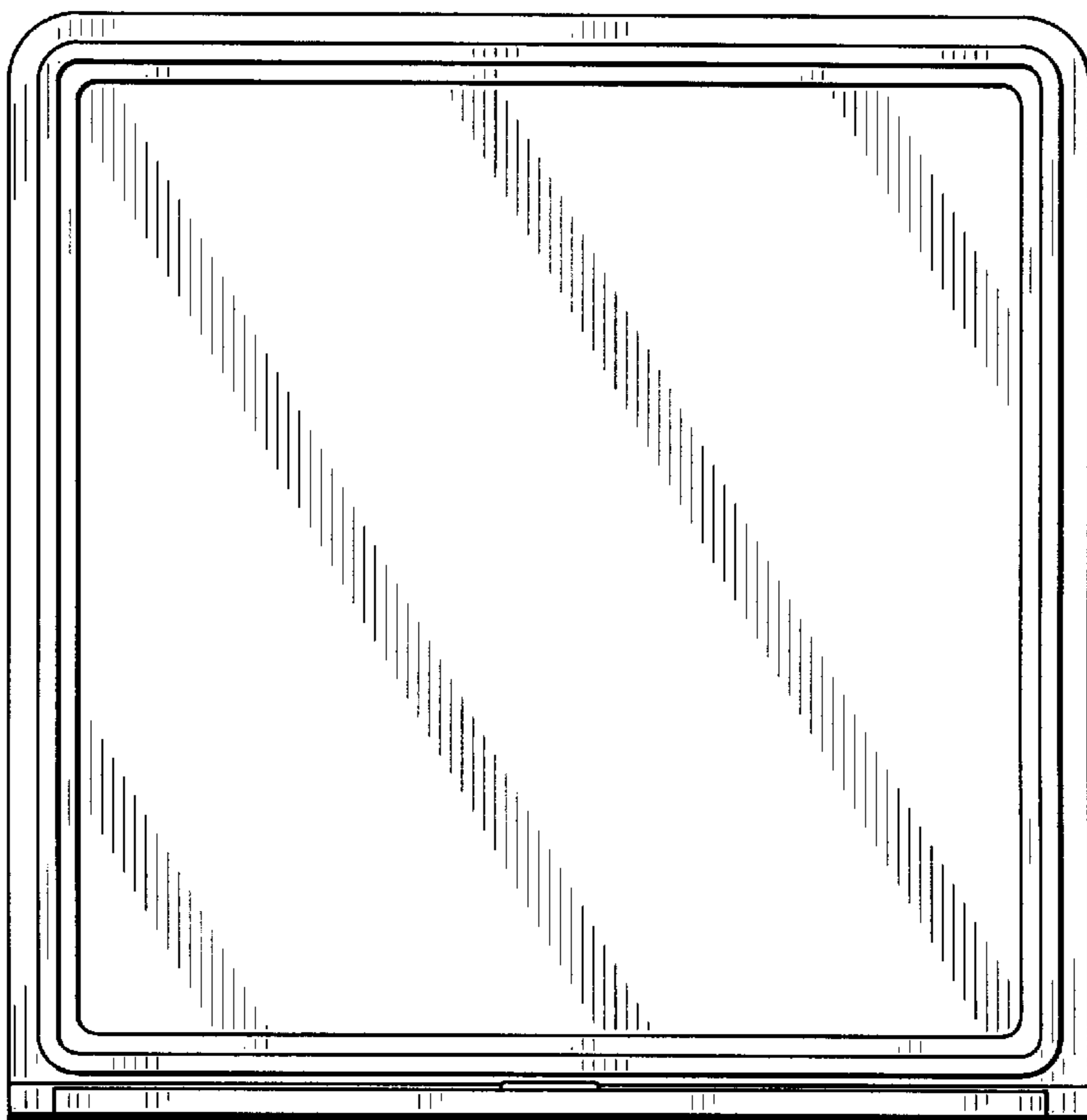


FIG. 5

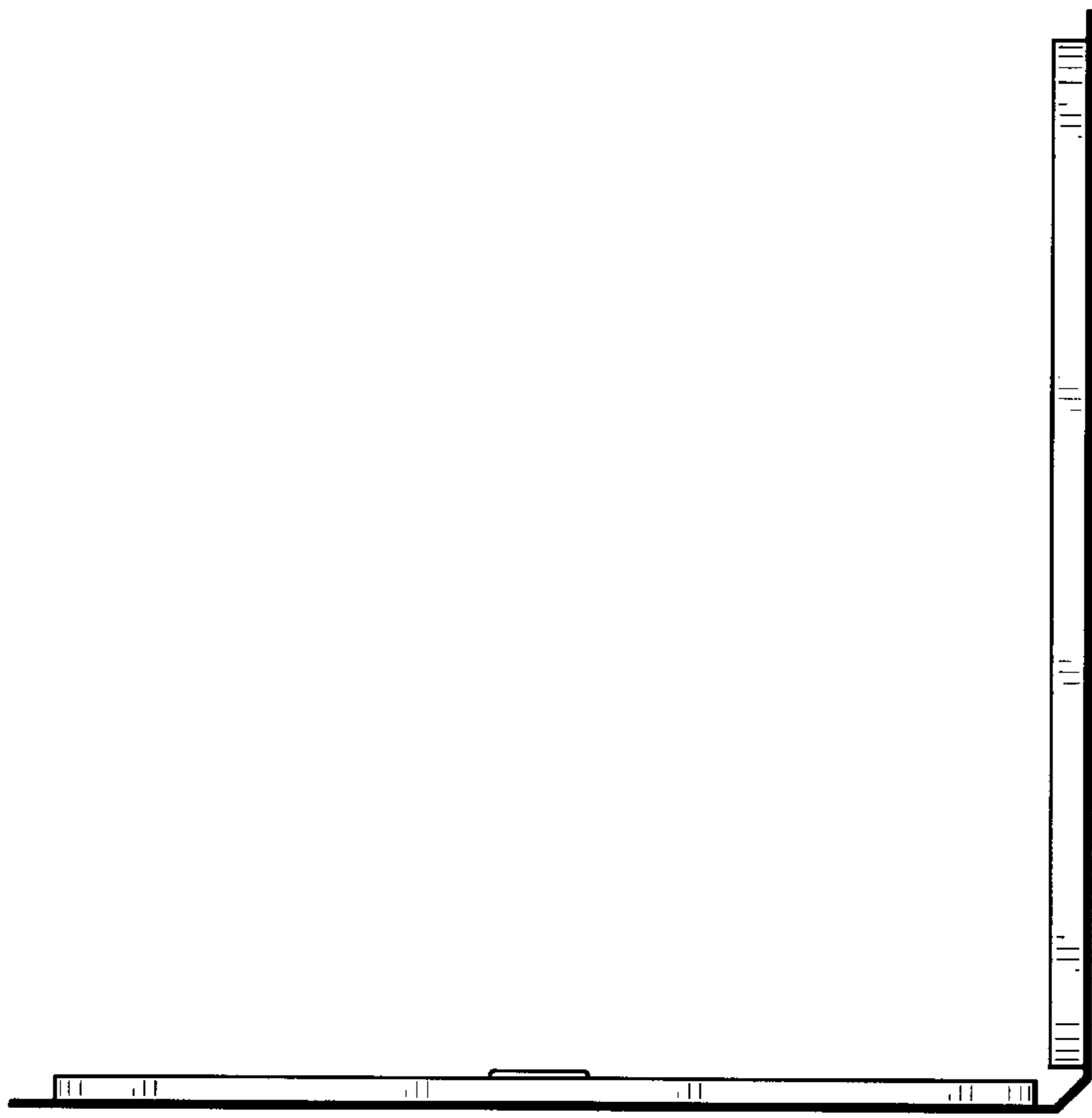


FIG. 6

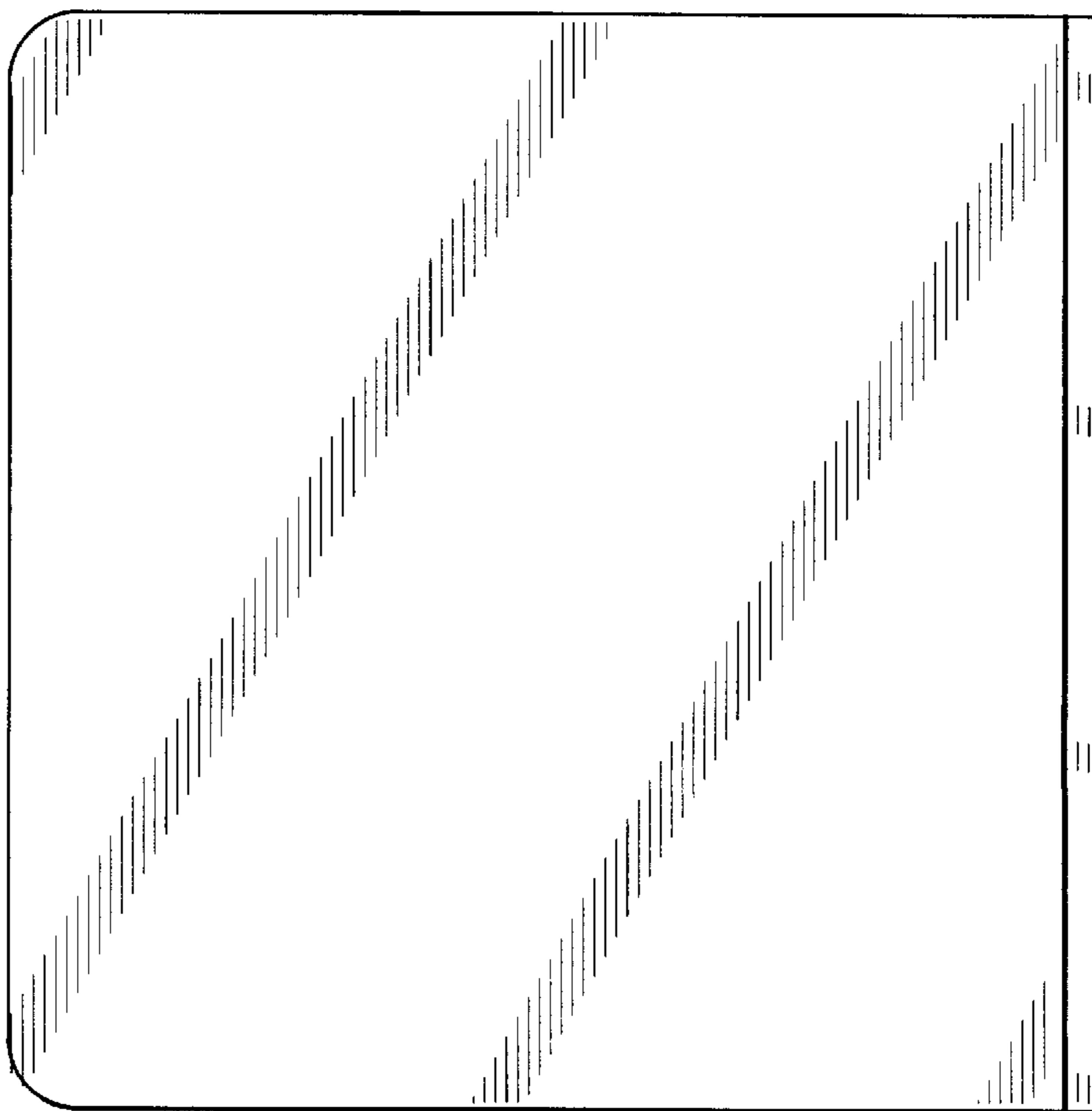


FIG. 7

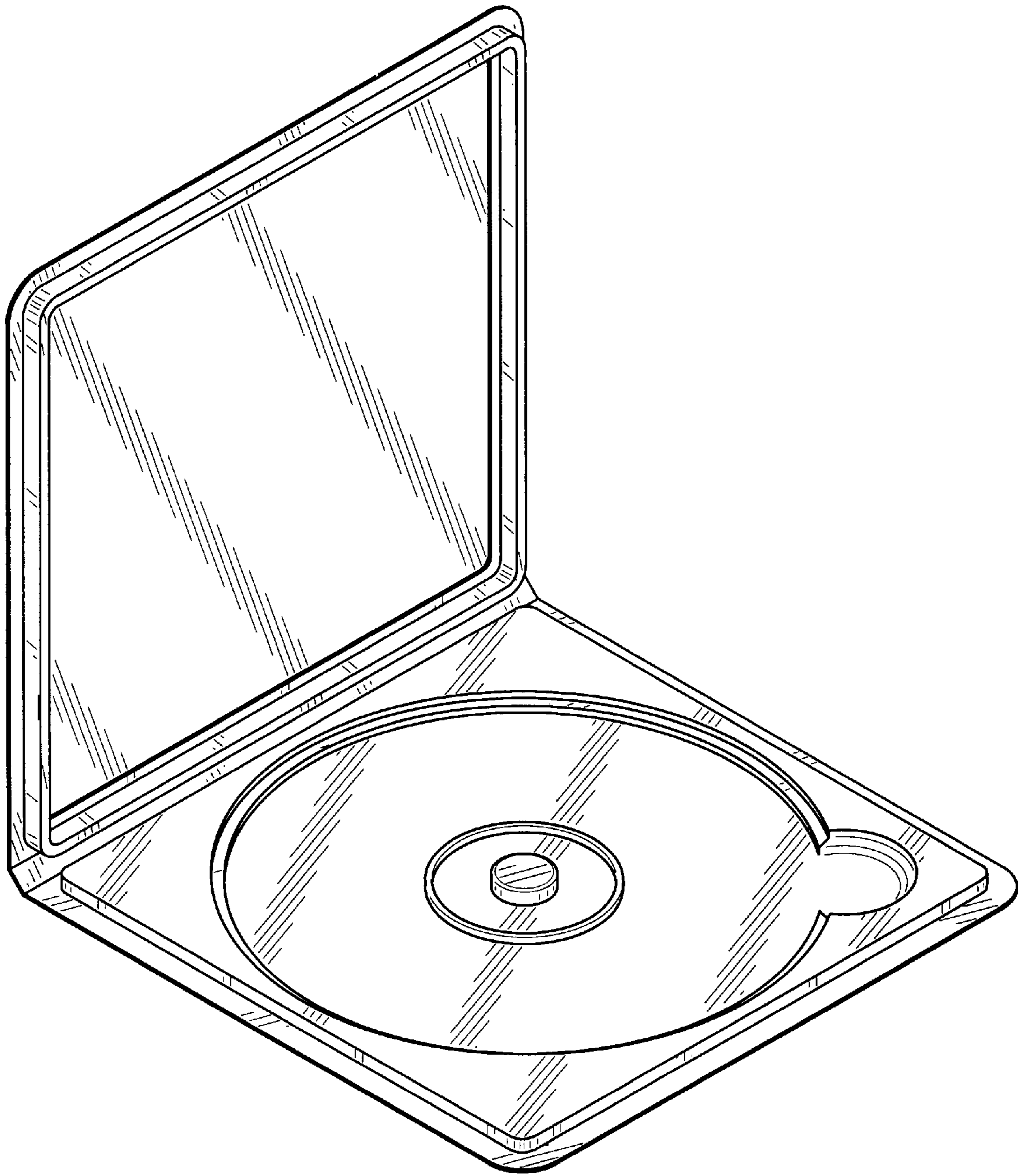


FIG. 8

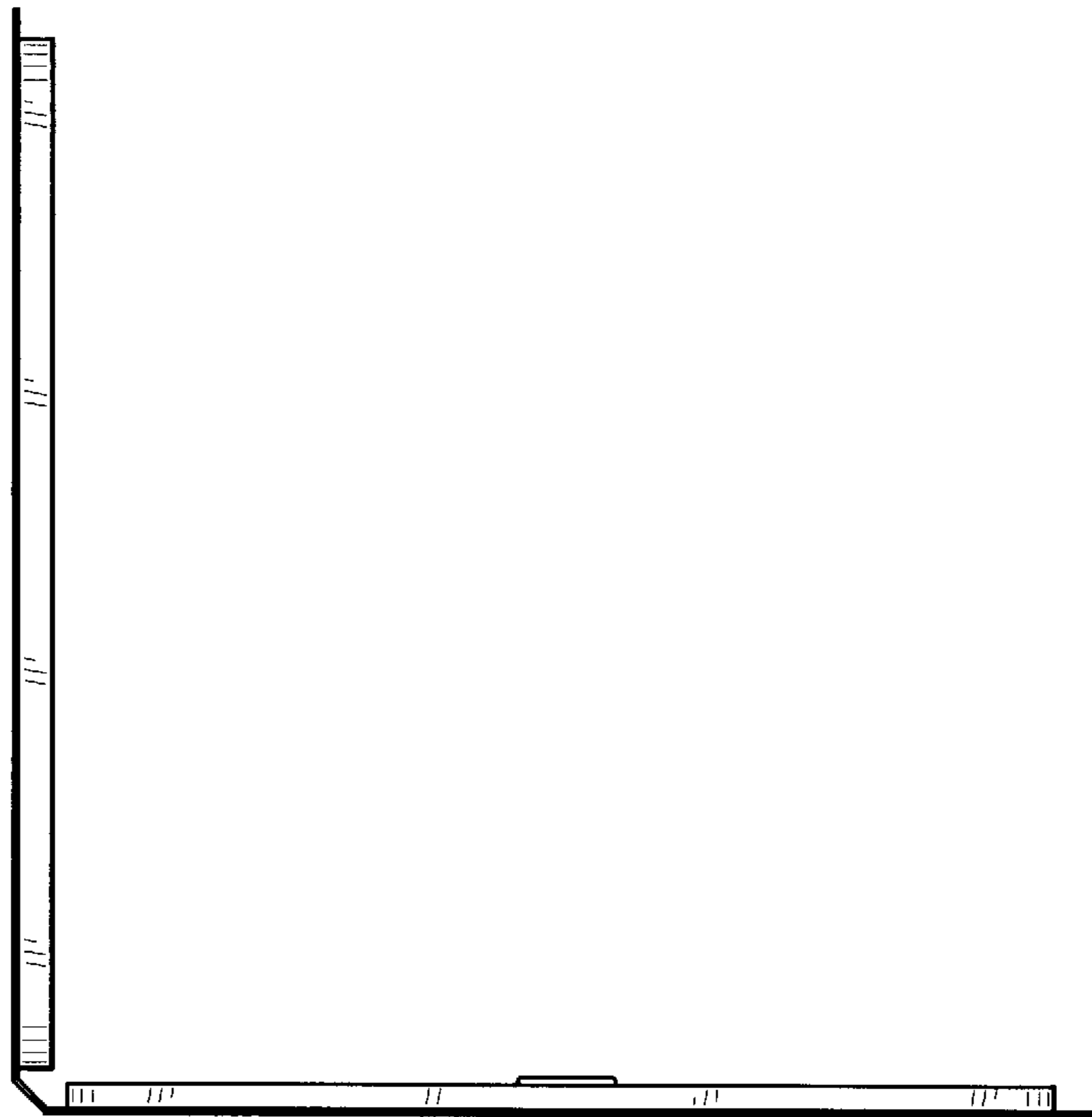


FIG. 9

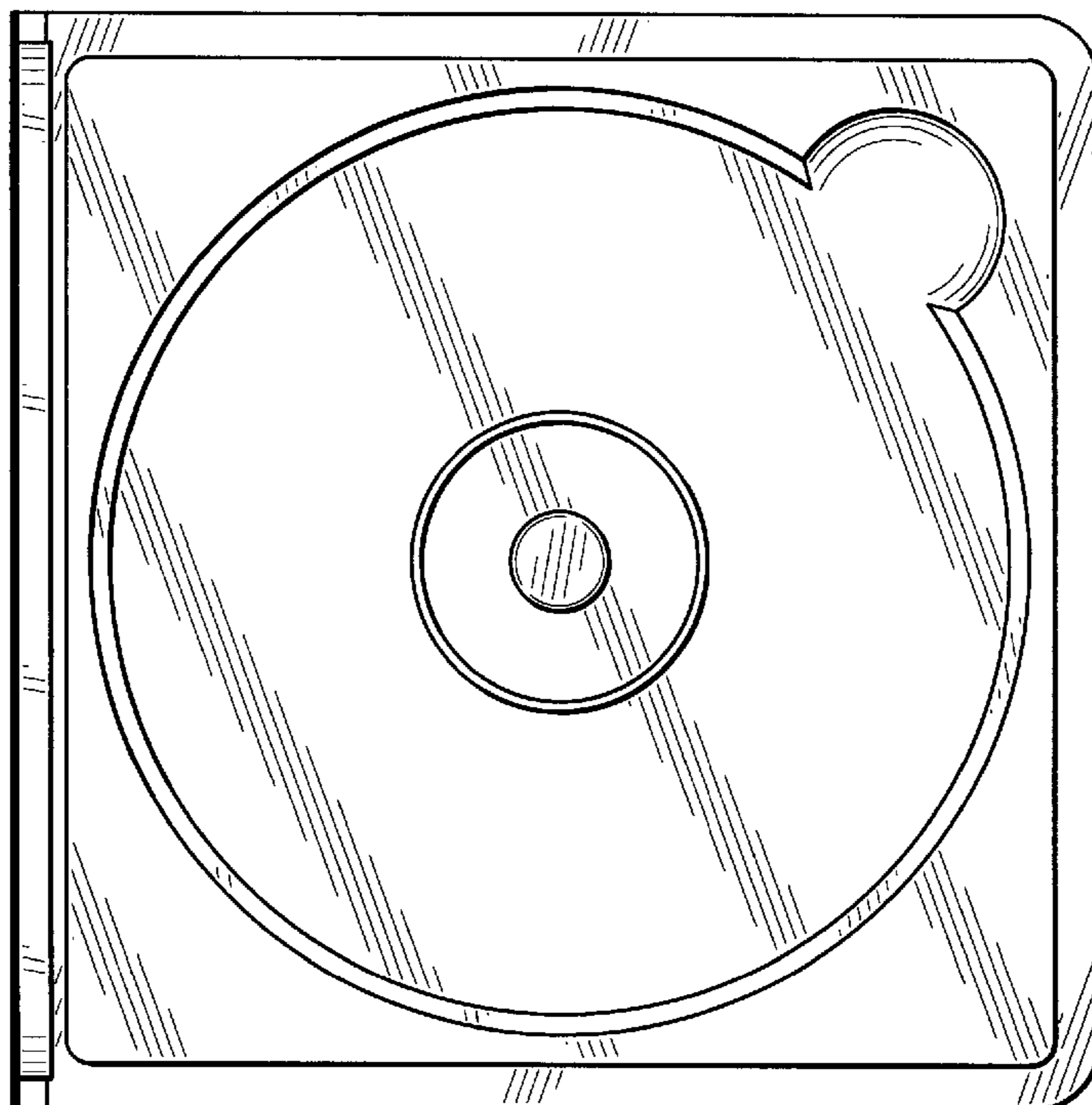


FIG. 10

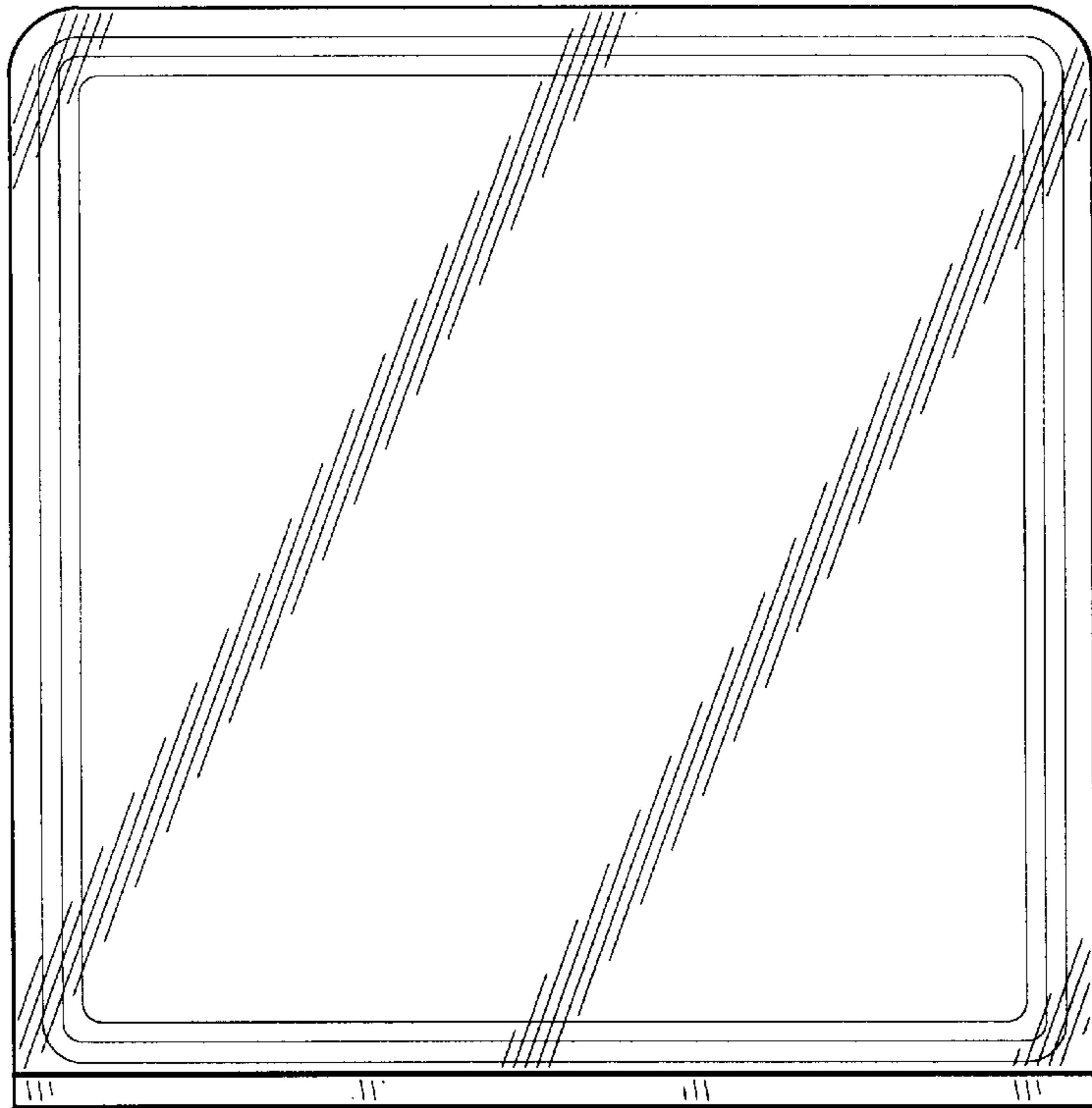


FIG. 11

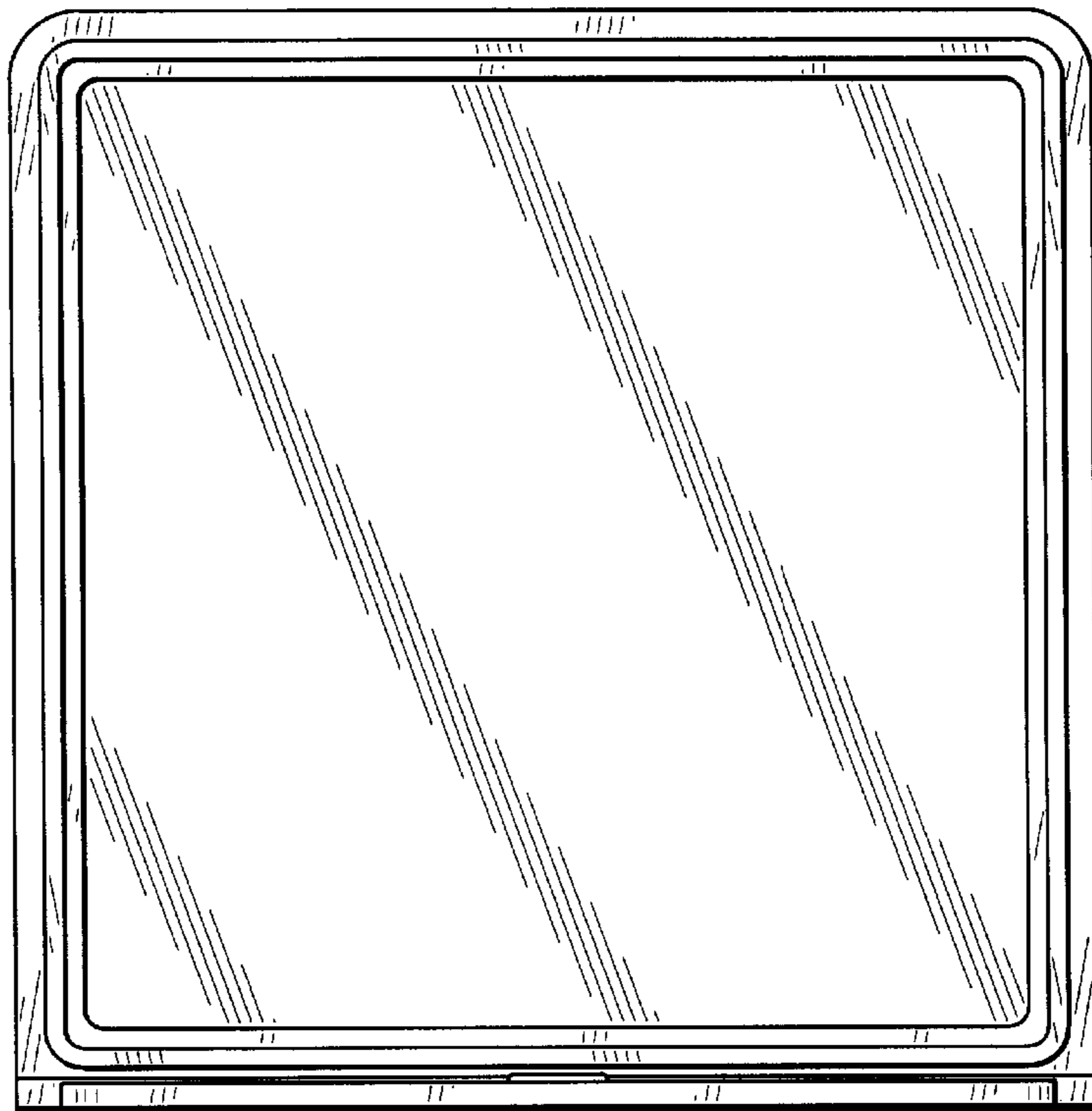


FIG. 12

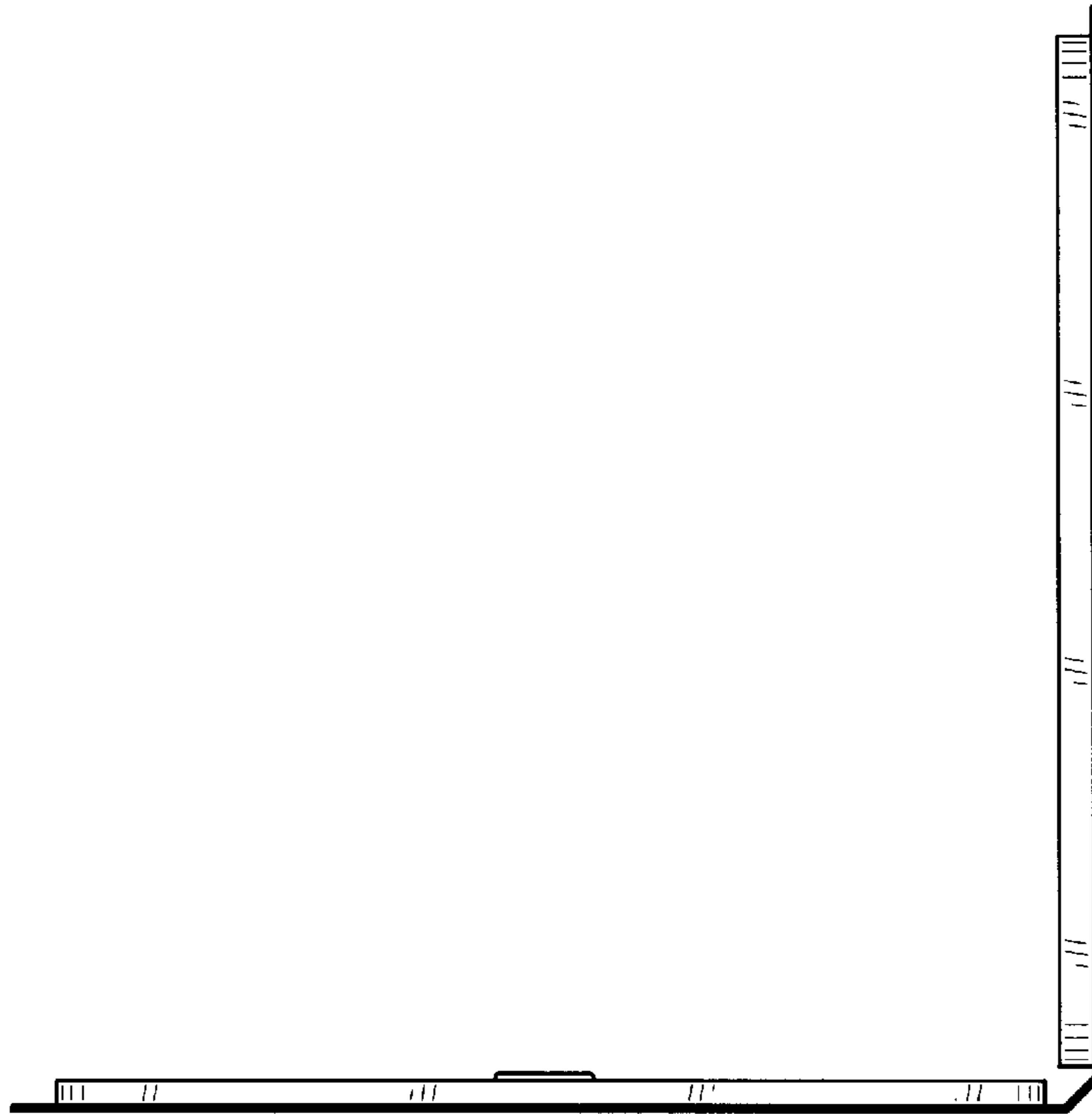


FIG. 13

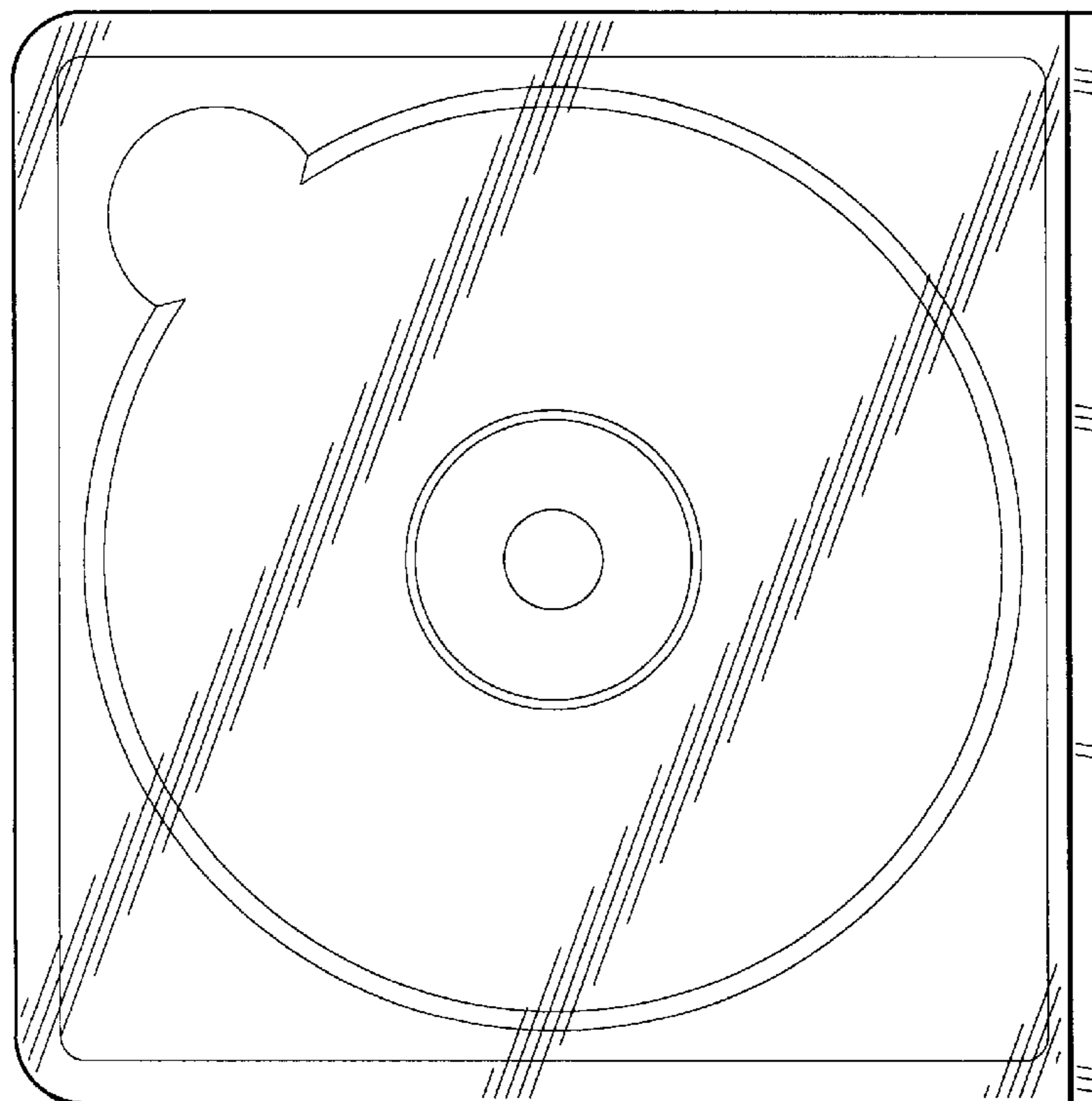


FIG. 14

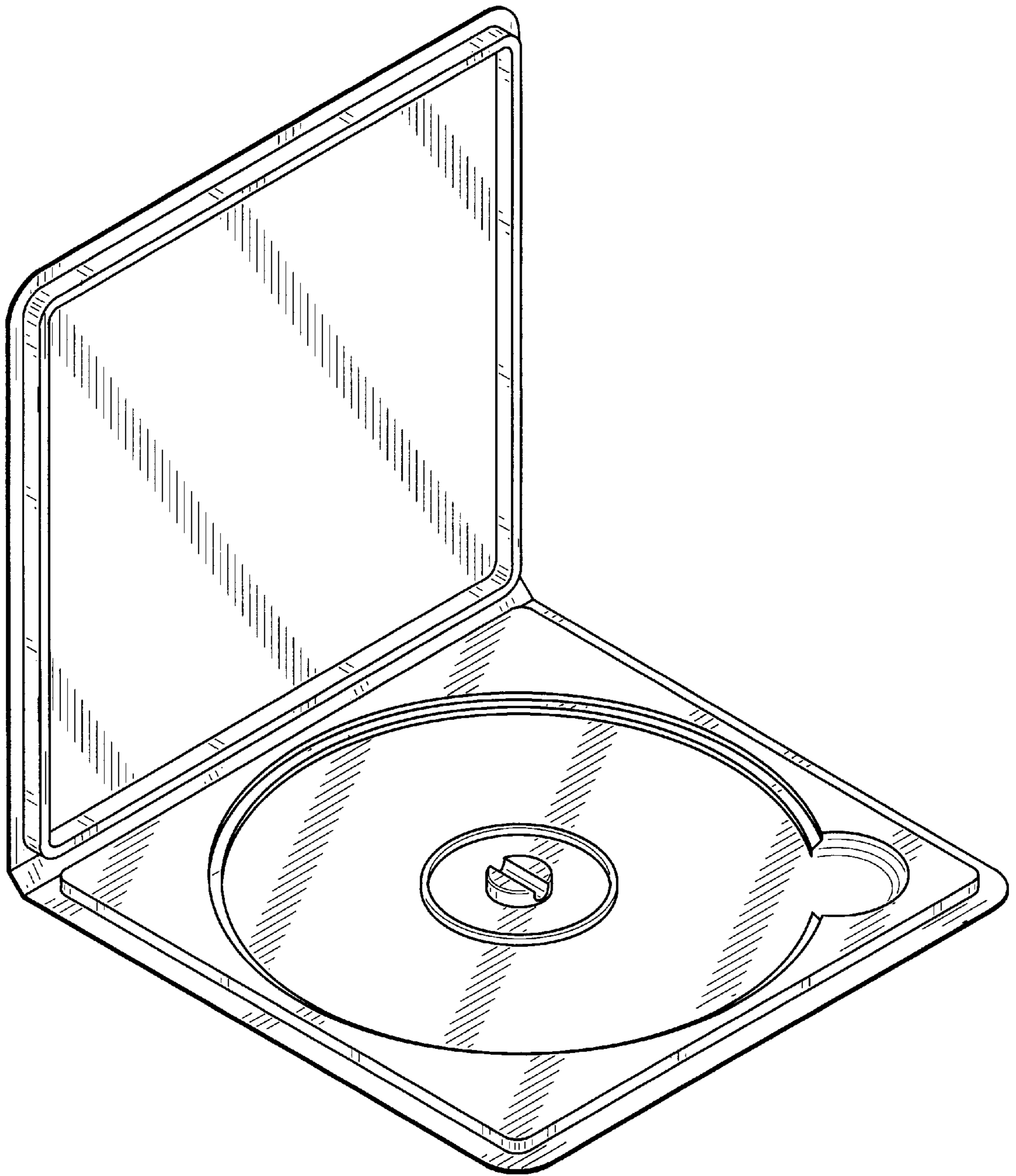


FIG. 15

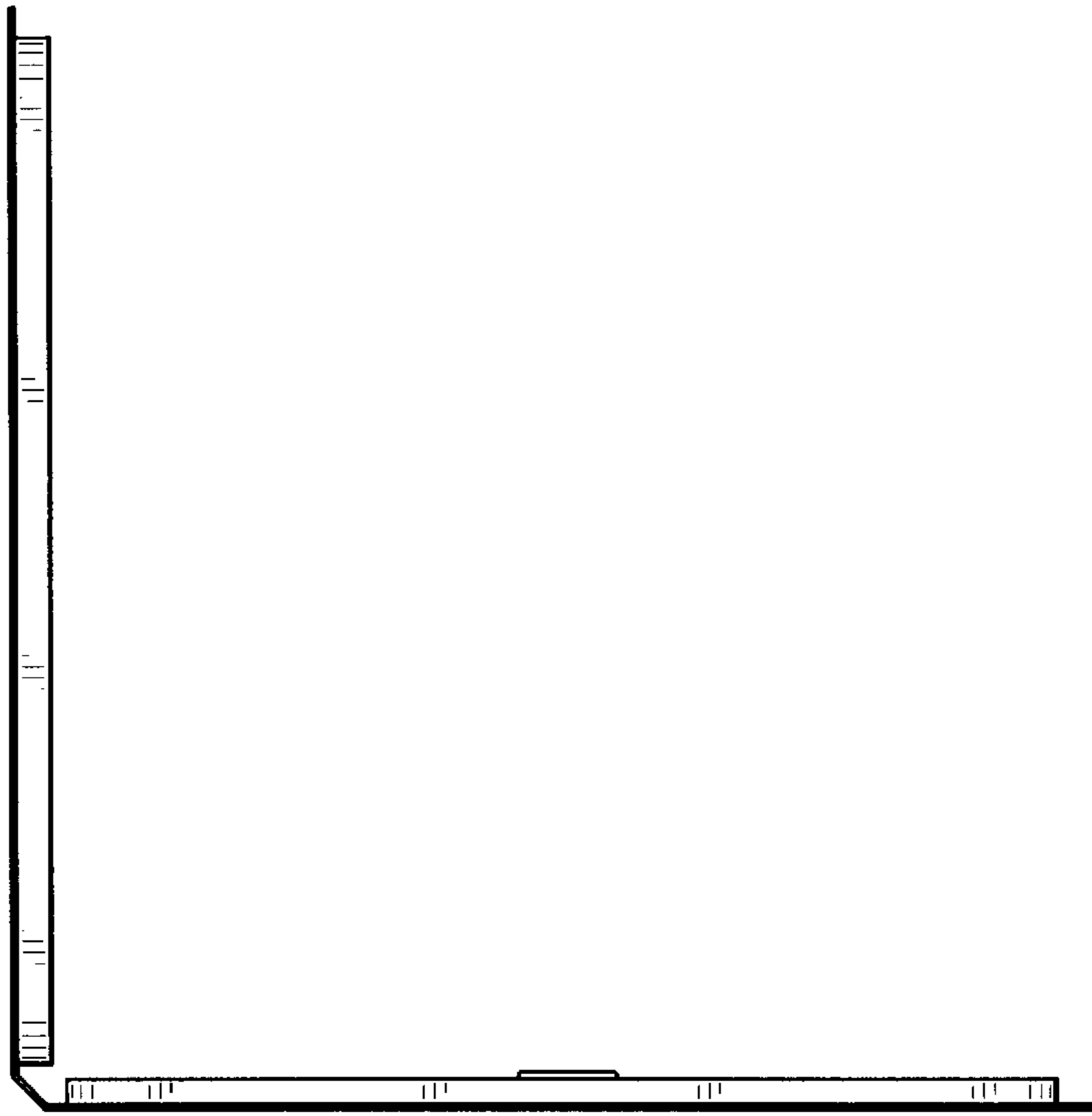


FIG. 16

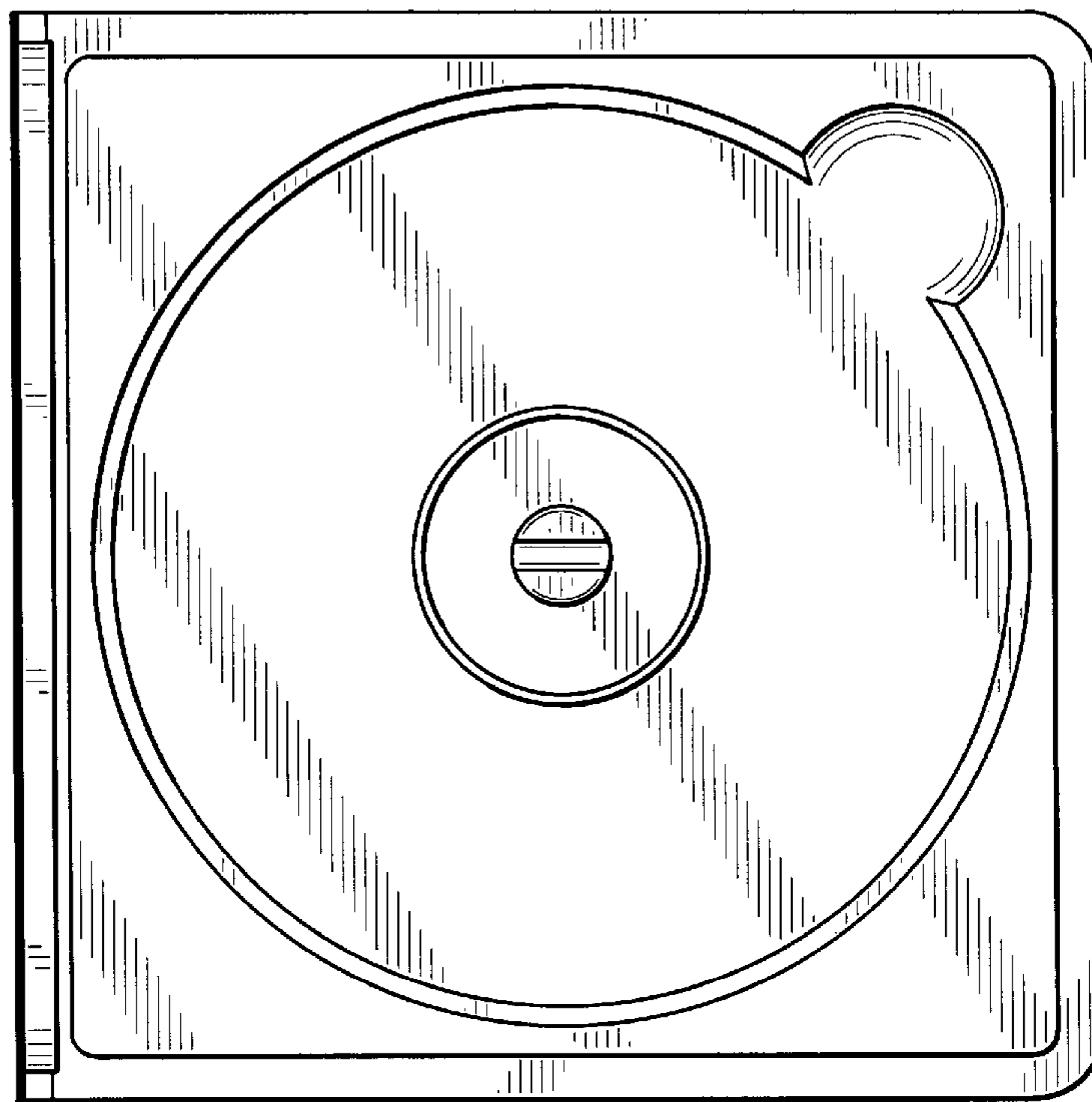


FIG. 17

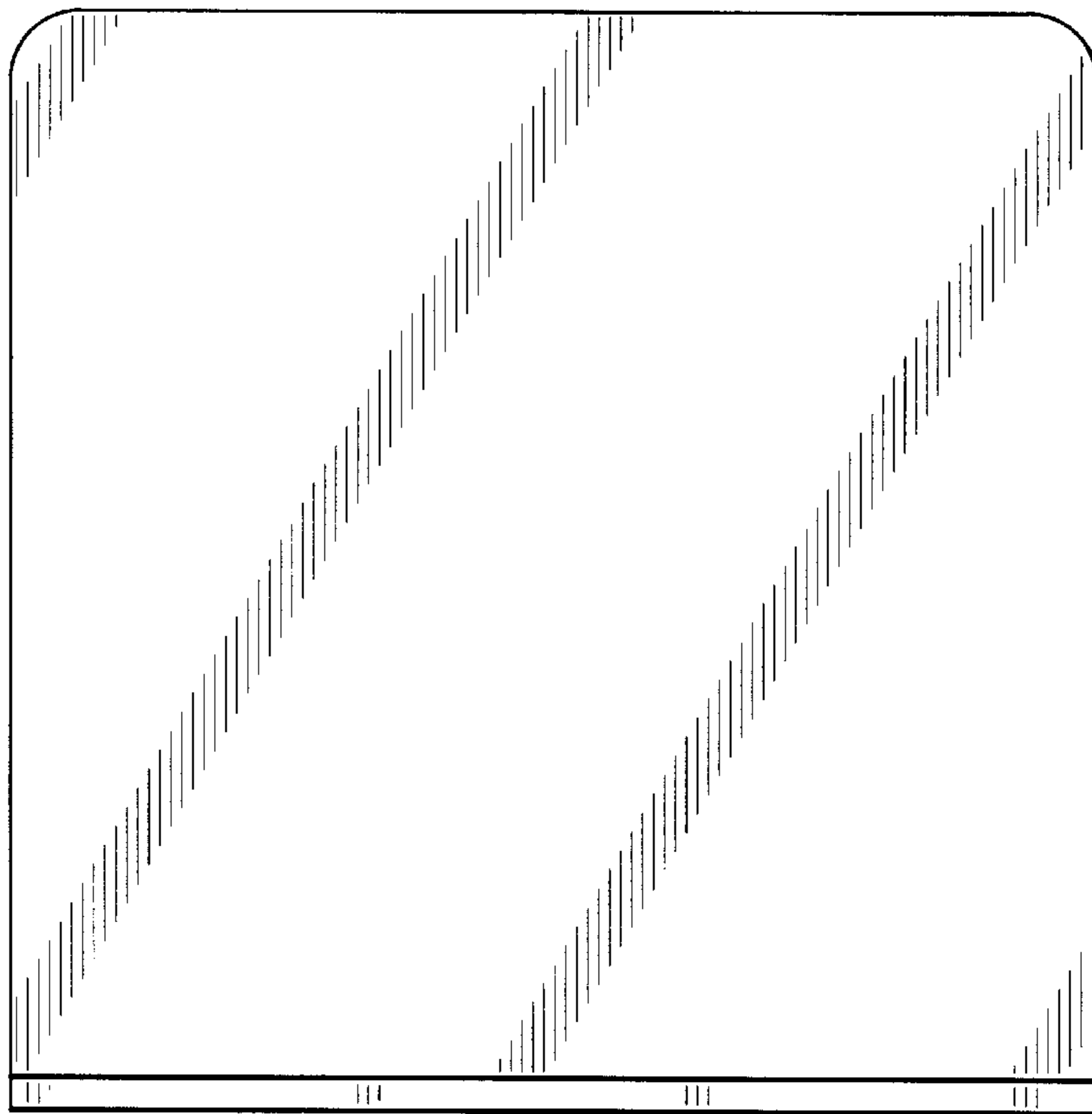


FIG. 18

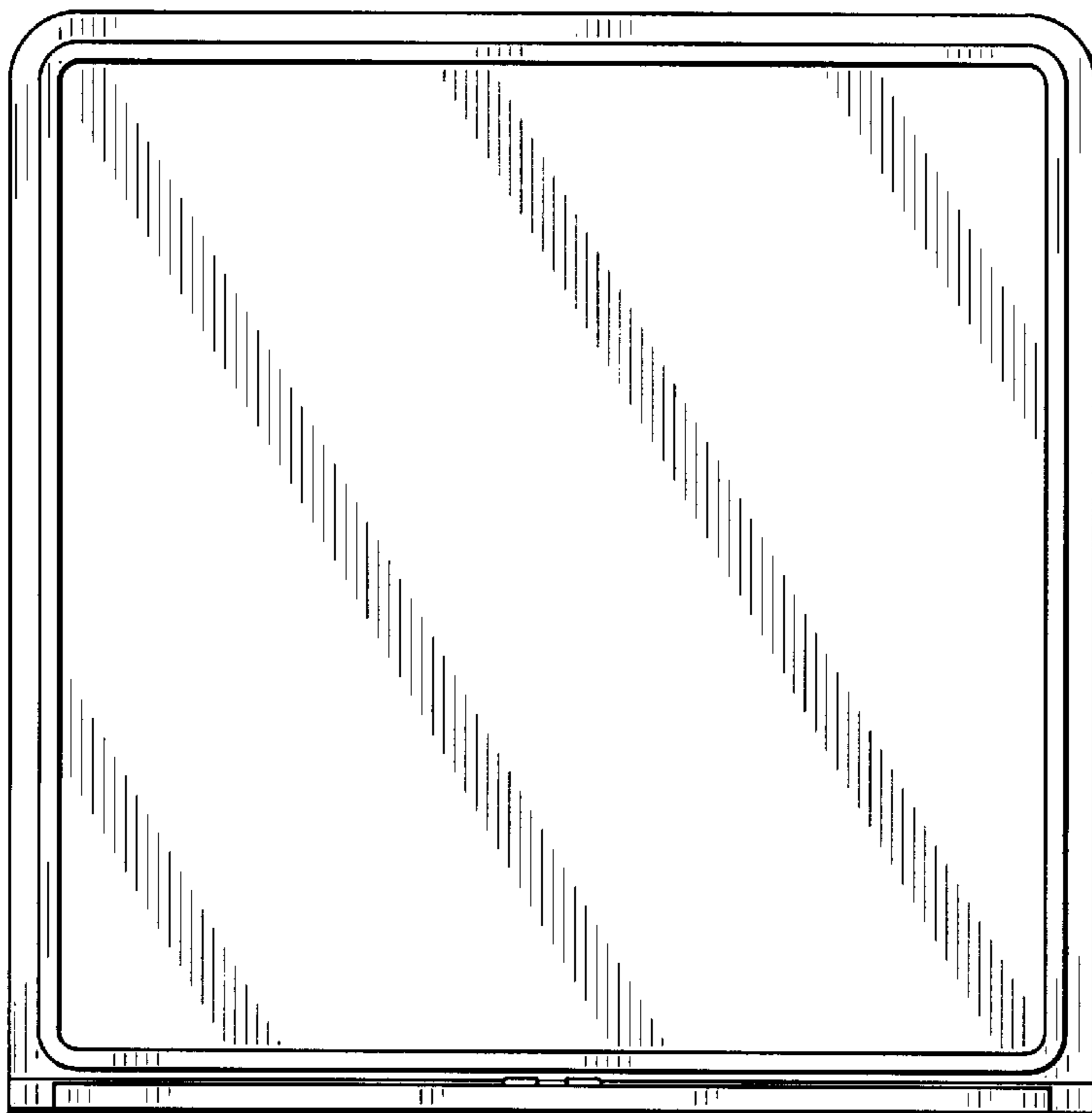


FIG. 19

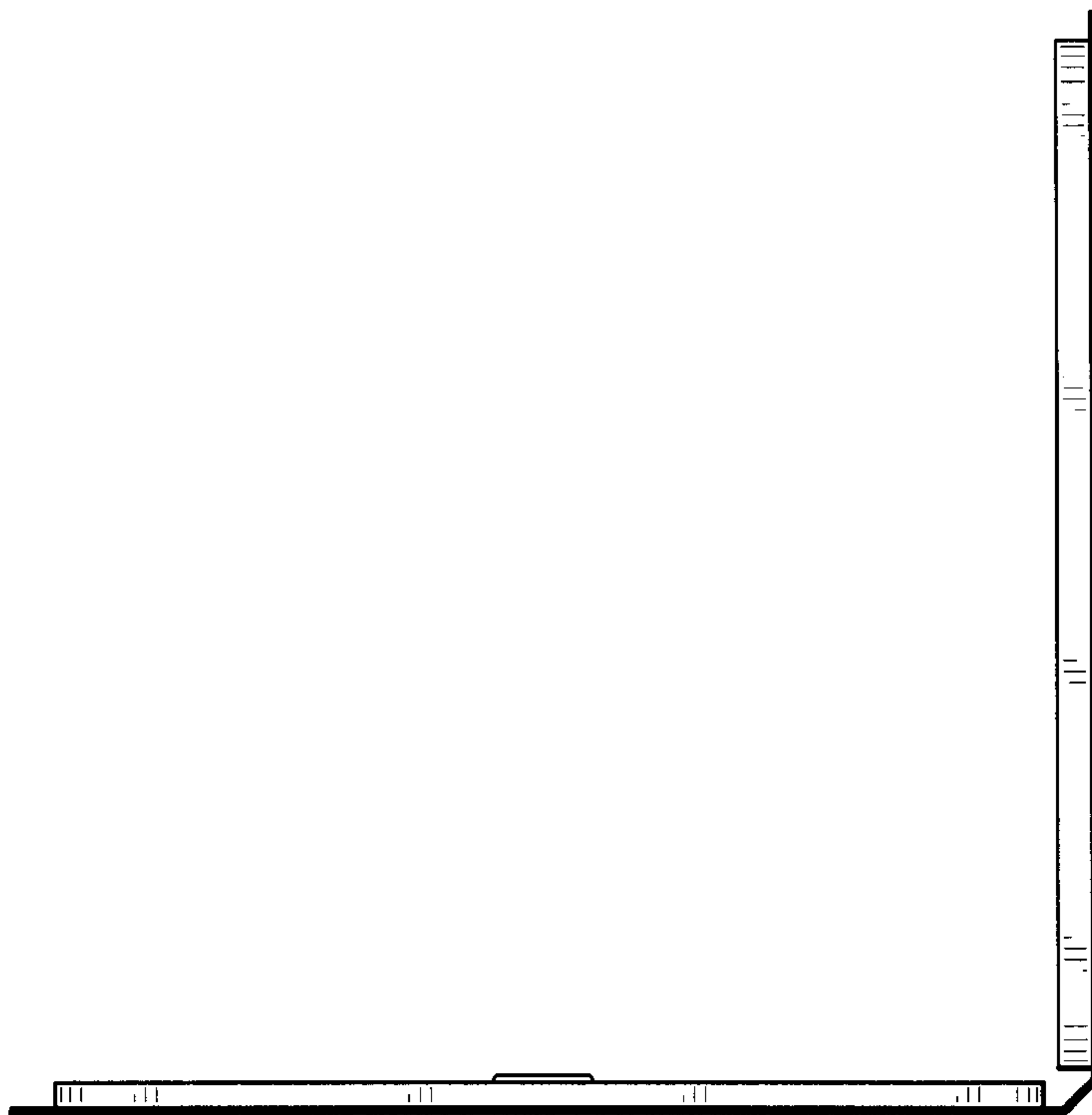


FIG. 20

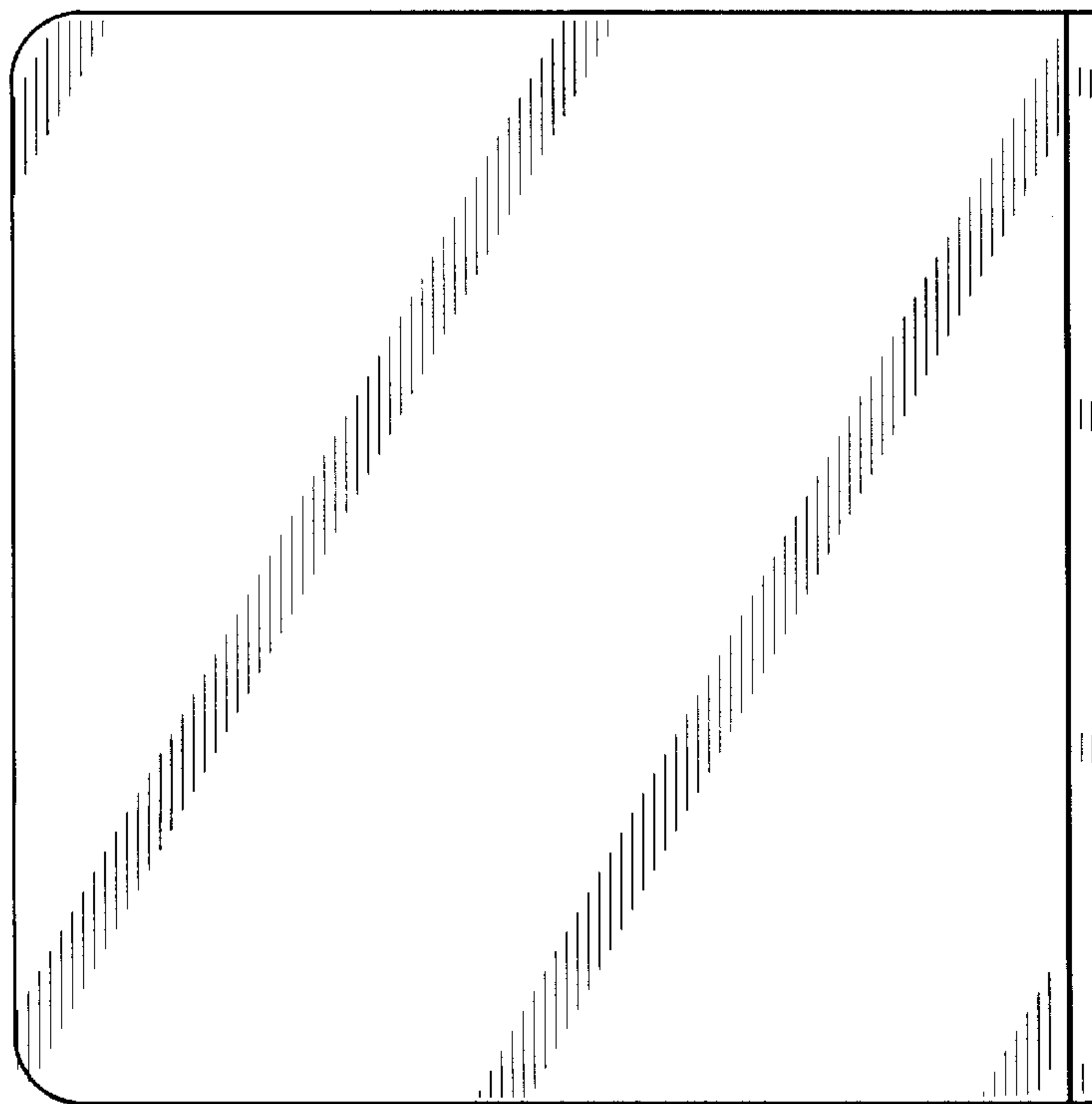


FIG. 21

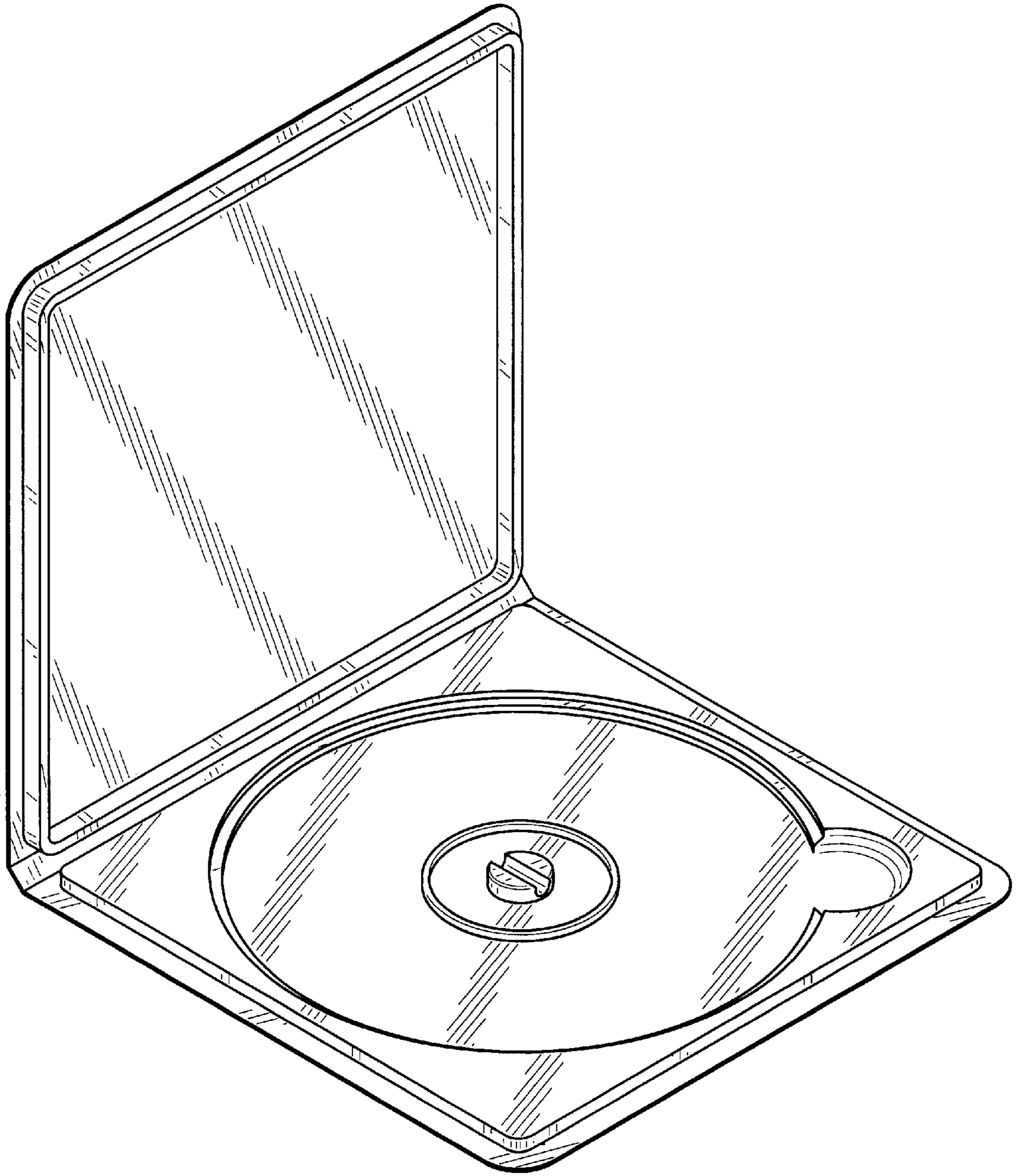


FIG. 22

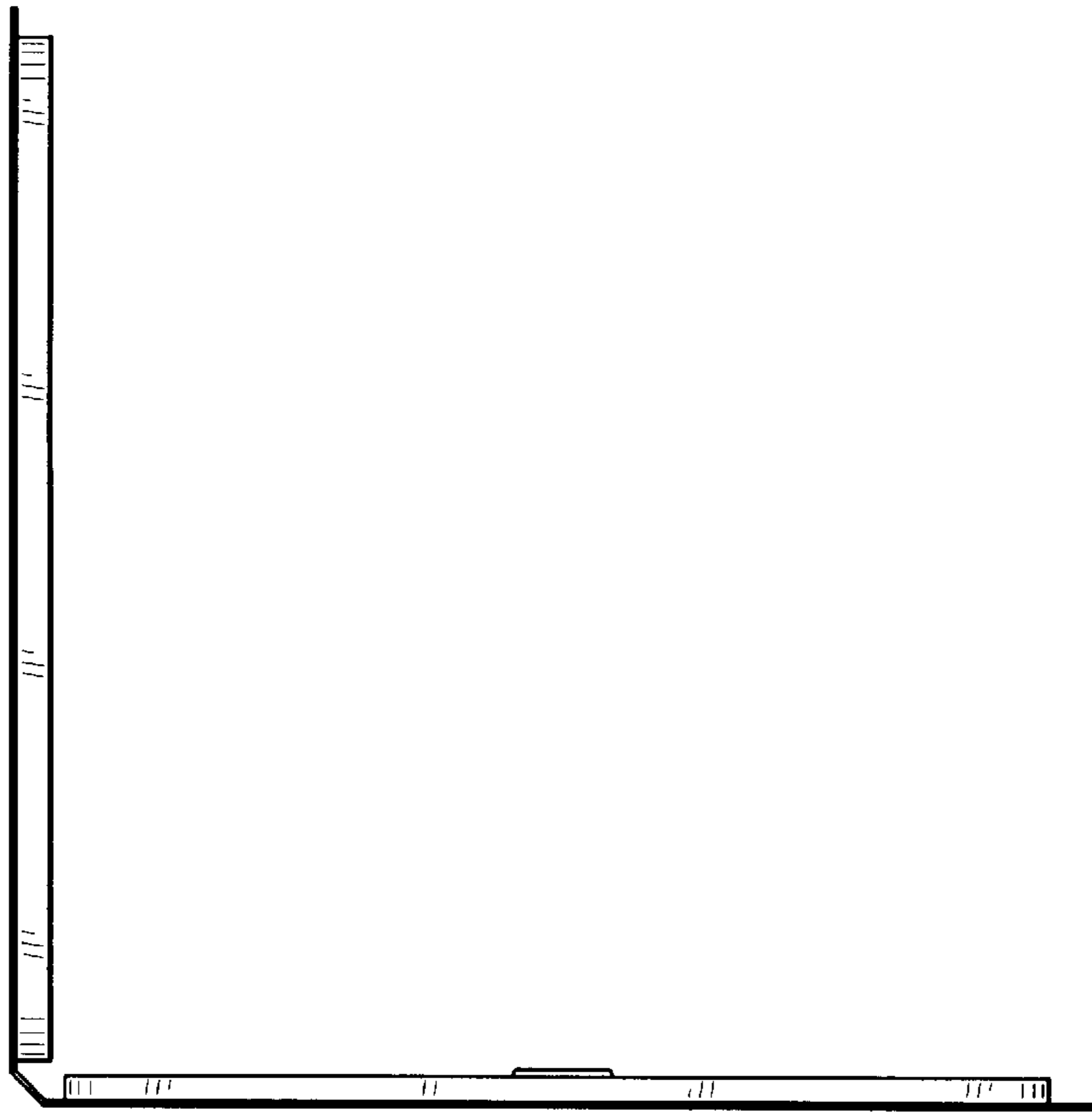


FIG. 23

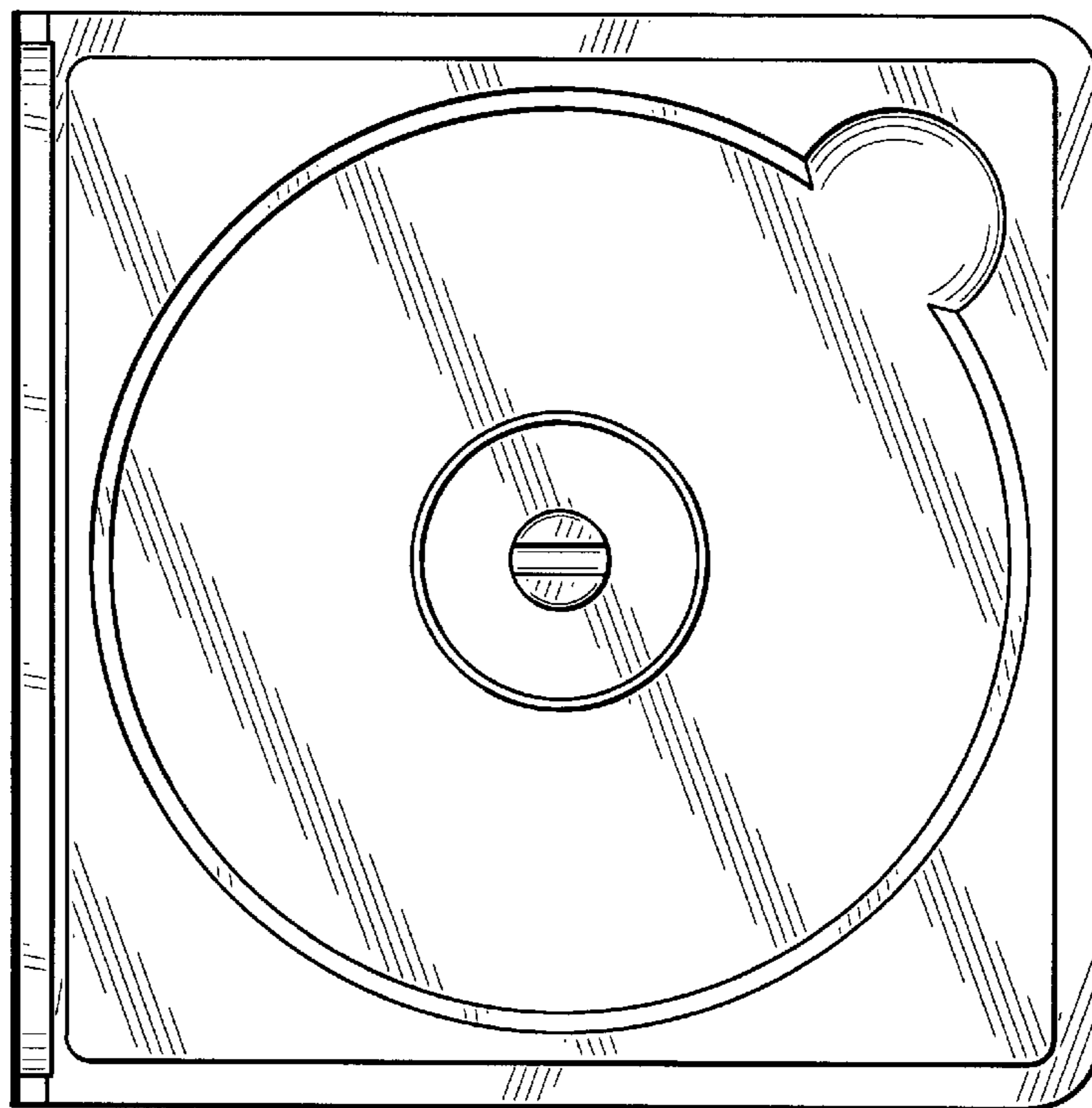


FIG. 24

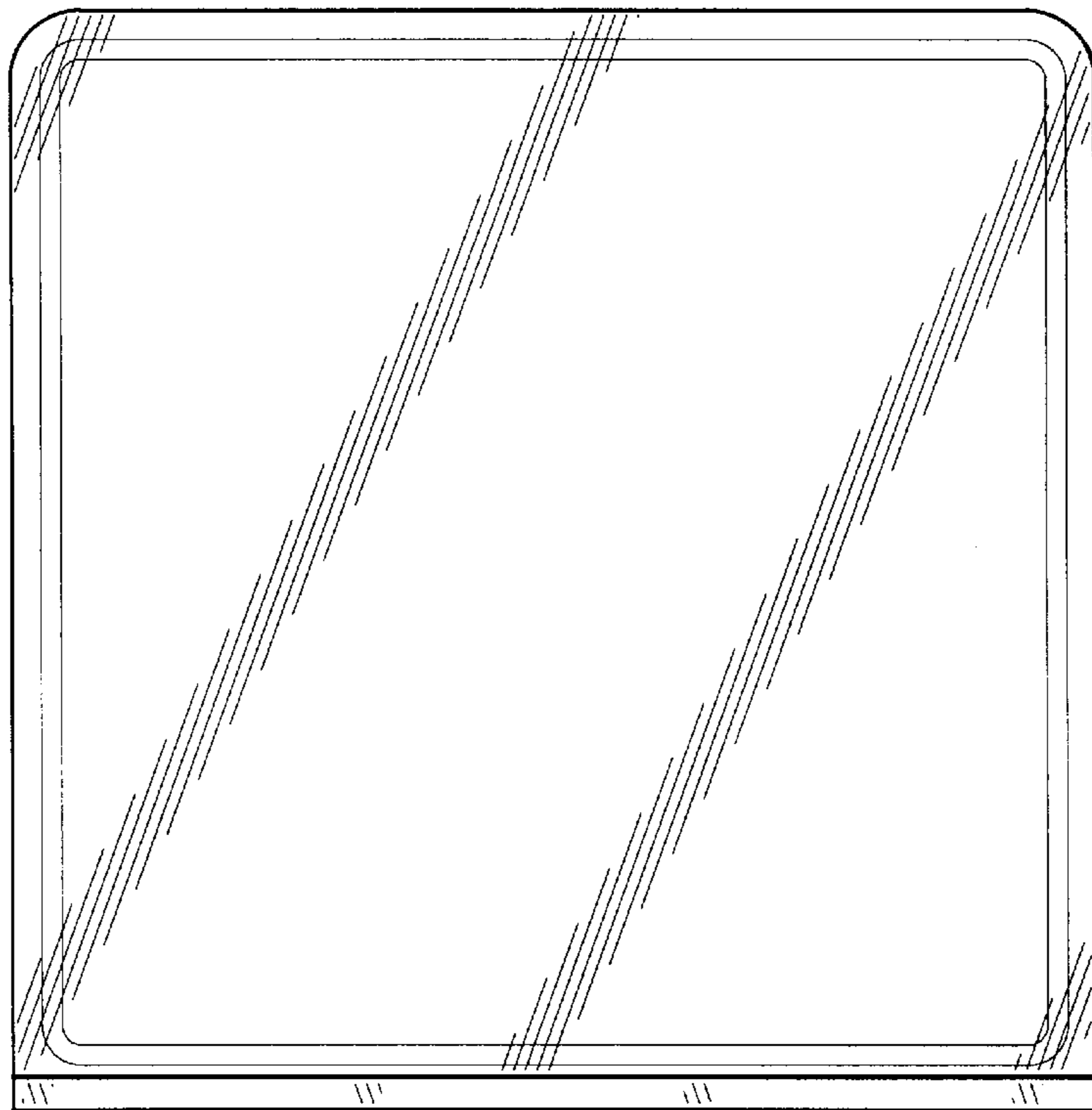


FIG. 25

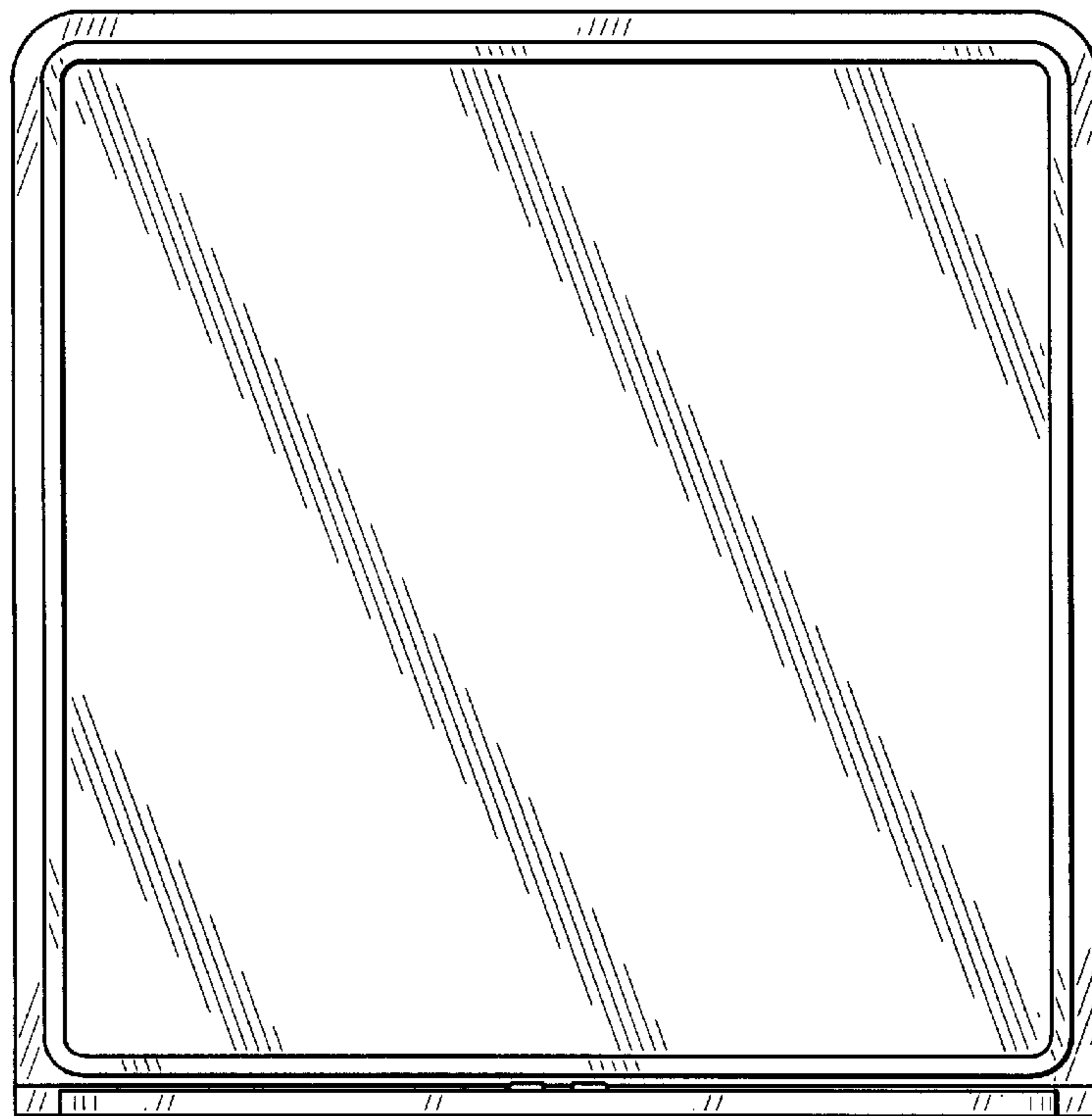


FIG. 26

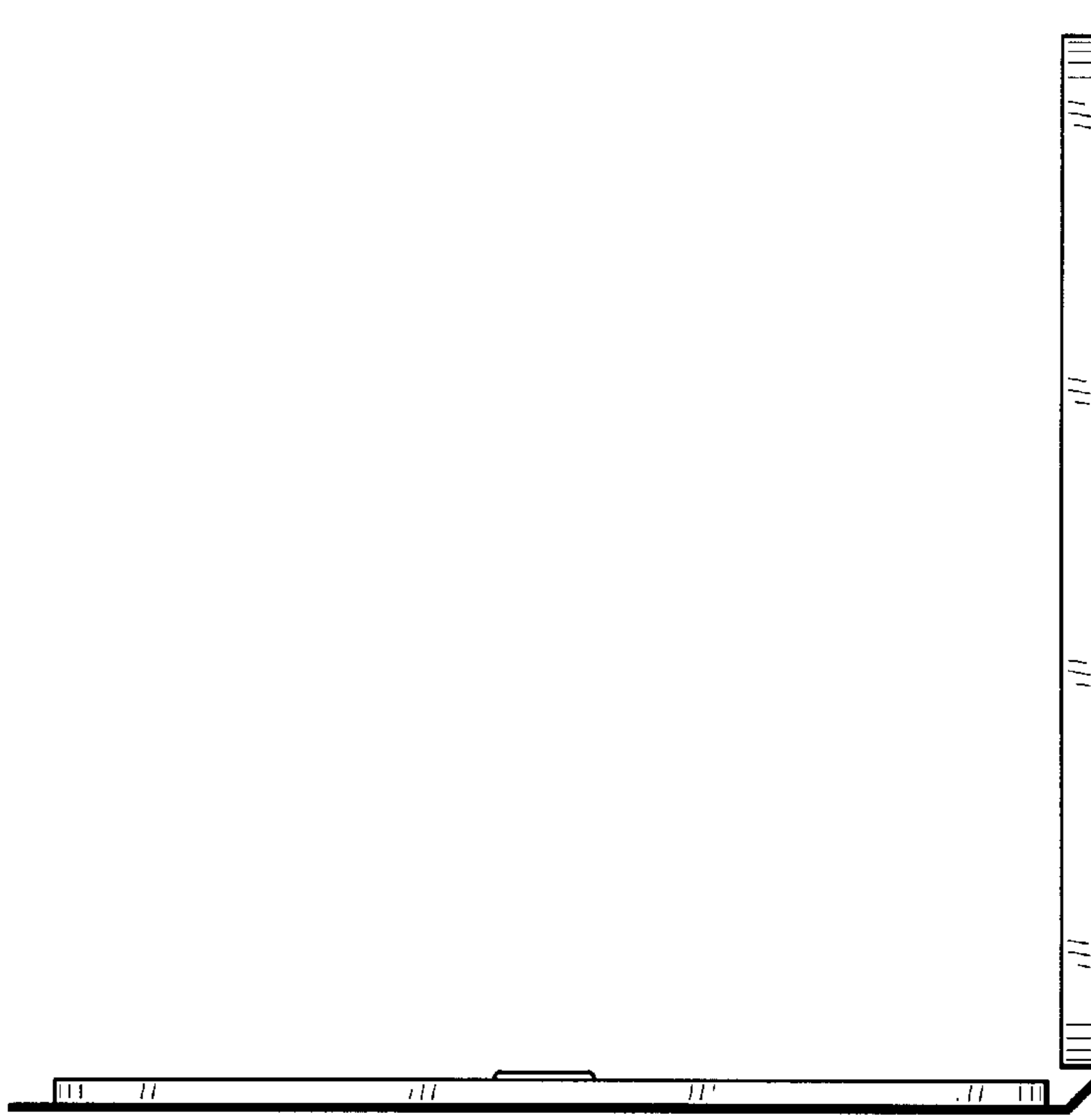


FIG. 27

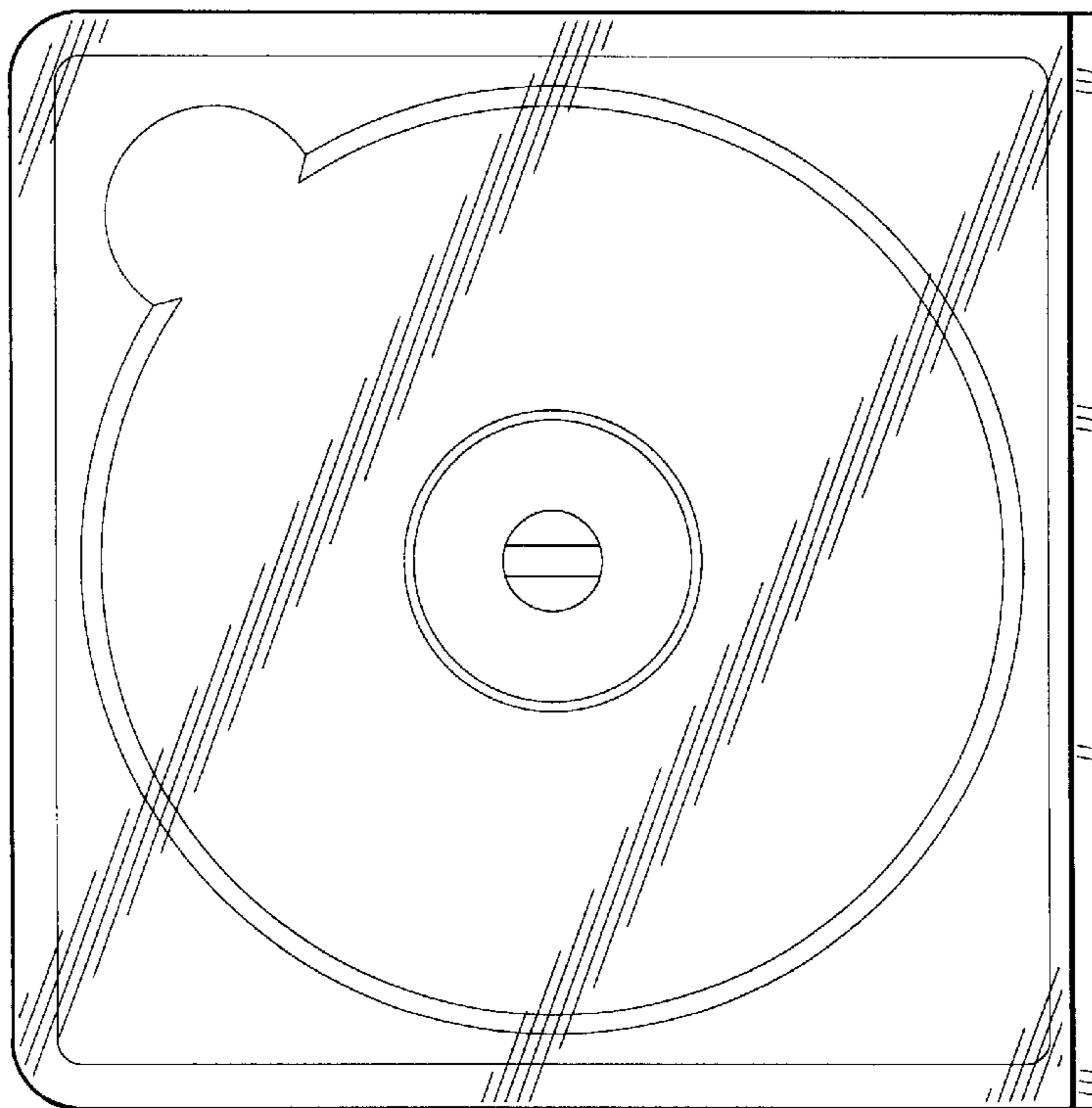


FIG. 28