



US00D431954S

United States Patent [19] White

[11] Patent Number: **Des. 431,954**

[45] Date of Patent: **** Oct. 17, 2000**

[54] **DOUBLE CD RACK**

[75] Inventor: **Jeffrey A. White**, Del Mar, Calif.

[73] Assignee: **Boltz, LLC.**, Carlsbad, Calif.

[**] Term: **14 Years**

[21] Appl. No.: **29/103,221**

[22] Filed: **Apr. 9, 1999**

[51] **LOC (7) Cl.** **06-04**

[52] **U.S. Cl.** **D6/630; D6/465**

[58] **Field of Search** D6/407, 626-630, D6/462-468, 450, 457, 473-476, 556-567, 570-572, 553, 411; 312/9.1-9.64; D19/90, 80, 75; D32/55, 58; 211/40, 41.1, 41.2, 41.3, 41.4, 42, 41.12, 44, 41.18, 48, 181.1, 189; 206/307.1, 307, 308.1, 445, 387.15, 454, 387.1, 425

[56] **References Cited**

U.S. PATENT DOCUMENTS

D. 306,942	4/1990	Patke	D6/463
D. 309,998	8/1990	Sumrell et al.	D6/407 X
D. 322,724	12/1991	Stravitz	D6/407
D. 325,133	4/1992	Stravitz	D6/407
D. 328,986	9/1992	Lightfoot	D6/407
D. 341,500	11/1993	Klein et al.	D6/411
D. 342,171	12/1993	McConnell	D6/464
D. 342,397	12/1993	MacDonald	D6/462
D. 348,366	7/1994	Stravitz	D6/476
D. 355,795	2/1995	Stravitz	D6/465
D. 364,047	11/1995	Bucher	D6/407

D. 398,787	9/1998	Malik	D6/411
D. 403,880	1/1999	Malik	D6/411
2,152,192	3/1939	Hoffman	D6/465 X
4,872,554	10/1989	Quernemoen	211/41.18 X
5,035,332	7/1991	Stravitz	211/40
5,415,297	5/1995	Klein et al.	211/40

OTHER PUBLICATIONS

Home Decorator's Collection, Winter 1973, p. 73, item u-v.
Columbia House Storage, item h-i.

Primary Examiner—Jeffrey Asch
Attorney, Agent, or Firm—Marshall, O'Toole, Gerstein, Murray & Borun

[57] **CLAIM**

The ornamental design for a double CD rack, as shown and described.

DESCRIPTION

FIG. 1 is a front, right perspective view of a double CD rack showing my new design.

FIG. 2 is a front, plan view of the double CD rack of FIG. 1.

FIG. 3 is a right side view of the double CD rack of FIG. 1.

FIG. 4 is a left side view of the double CD rack of FIG. 1.

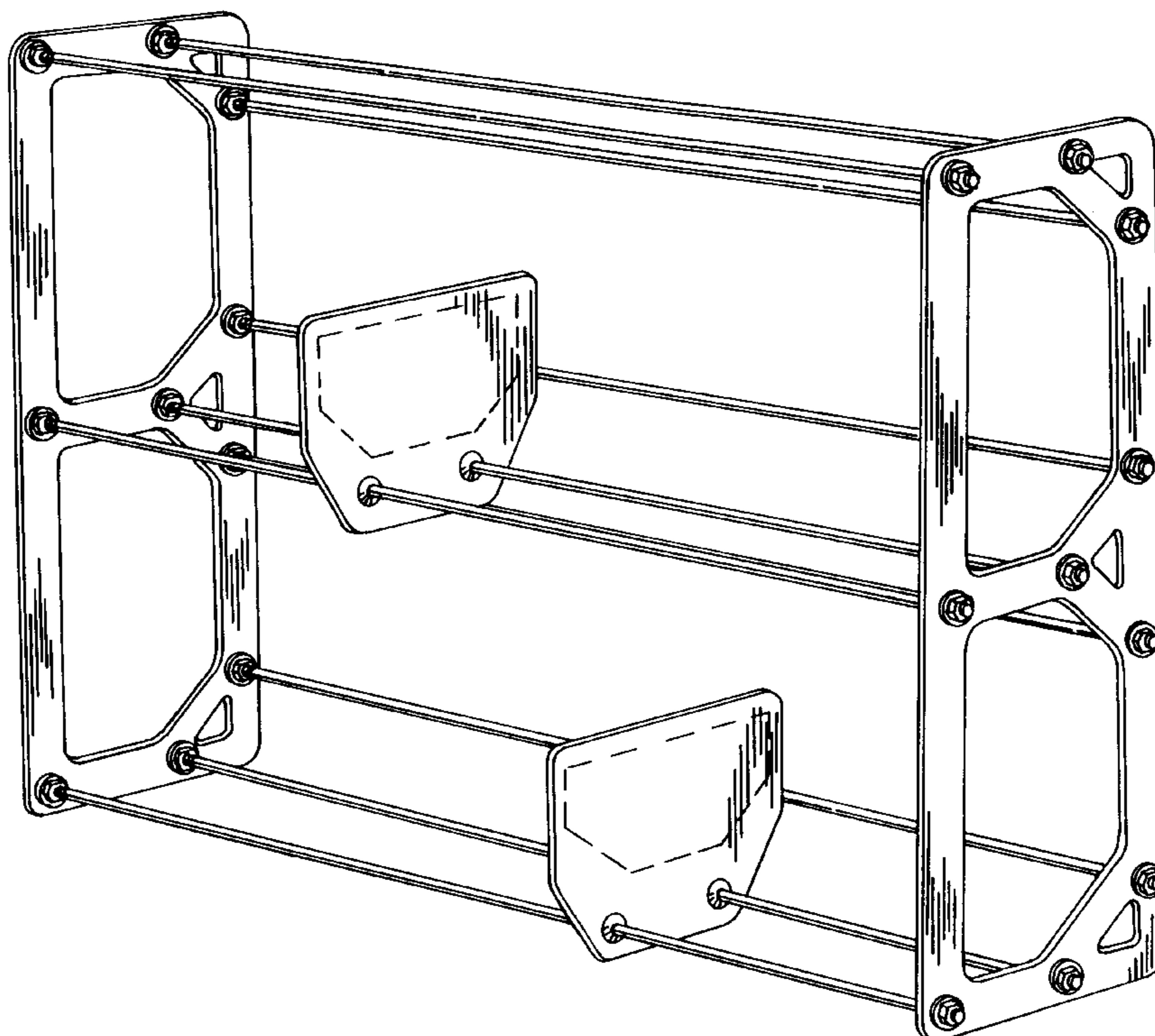
FIG. 5 is a top view of the double CD rack of FIG. 1.

FIG. 6 is a back plan view of the double CD rack of FIG. 1; and,

FIG. 7 is a bottom view of the double CD rack of FIG. 1.

The broken line showings throughout the views are for illustrative purposes only and form no part of the claimed design.

1 Claim, 5 Drawing Sheets



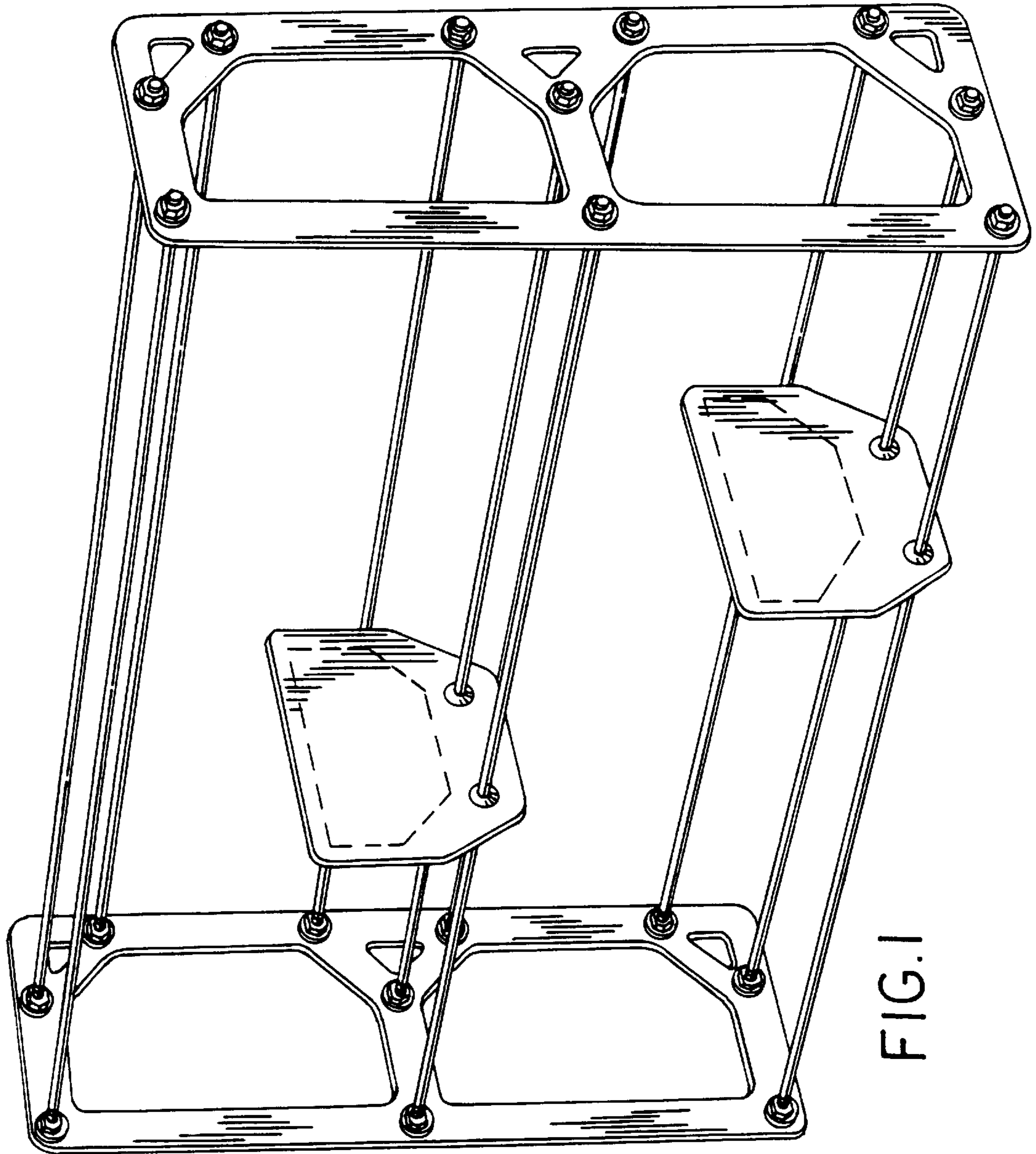


FIG. 1

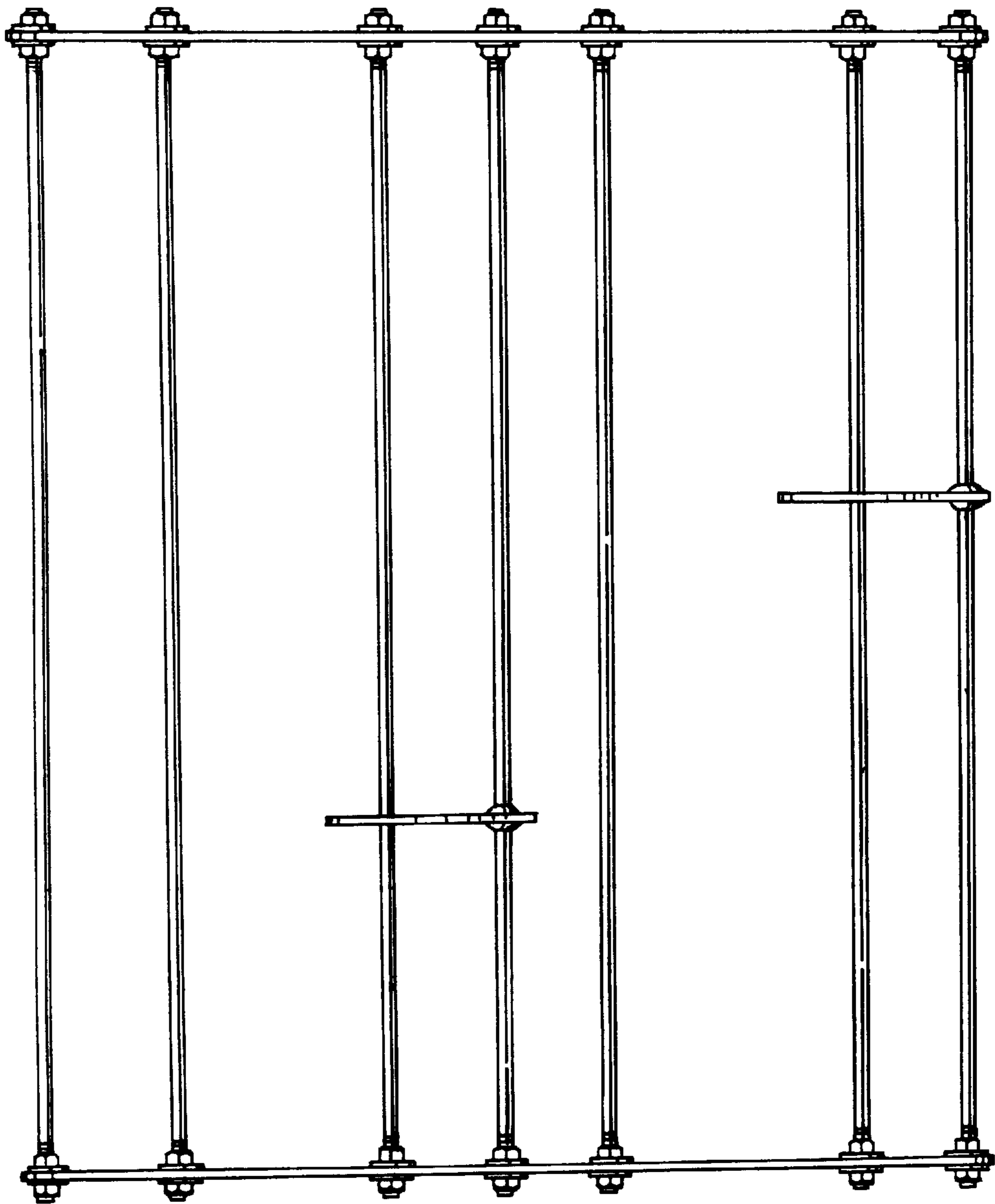


FIG. 2

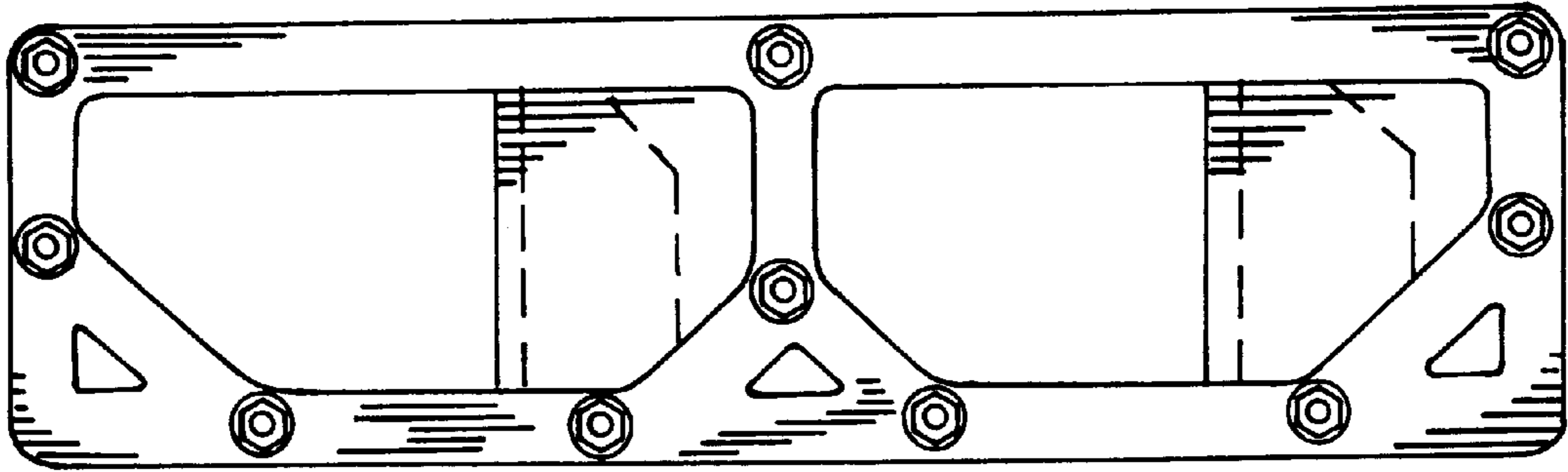


FIG.3

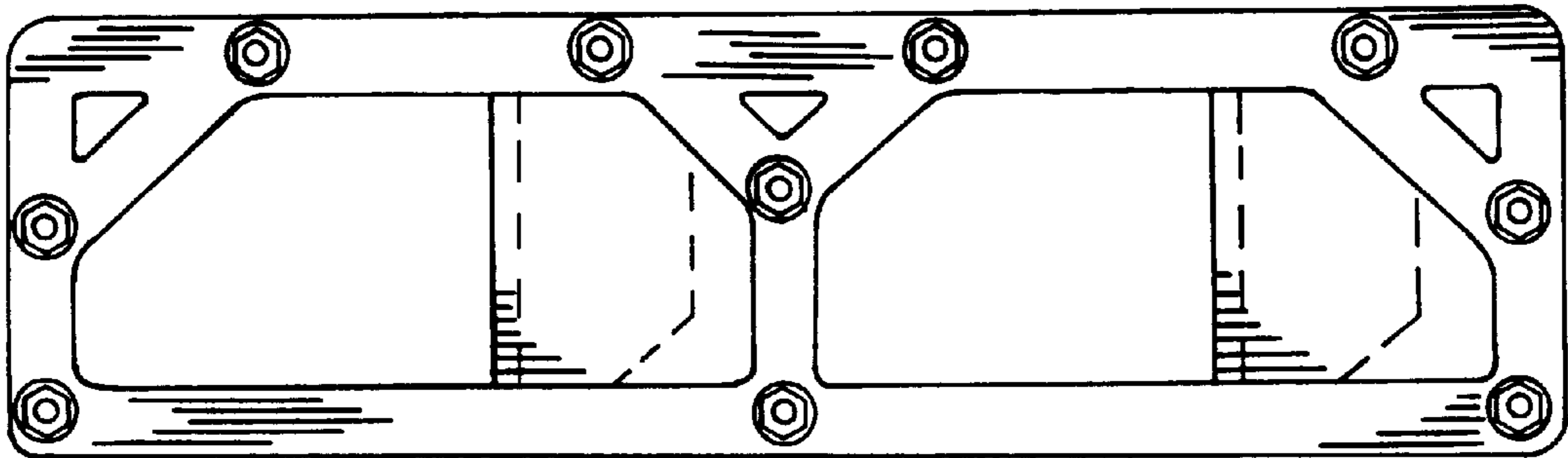


FIG.4

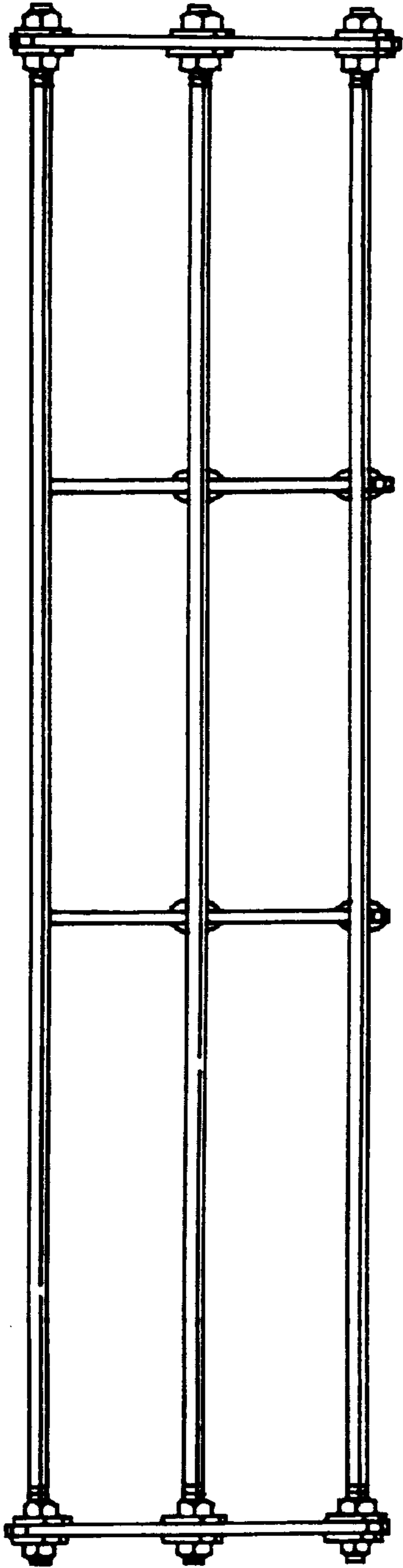


FIG. 5

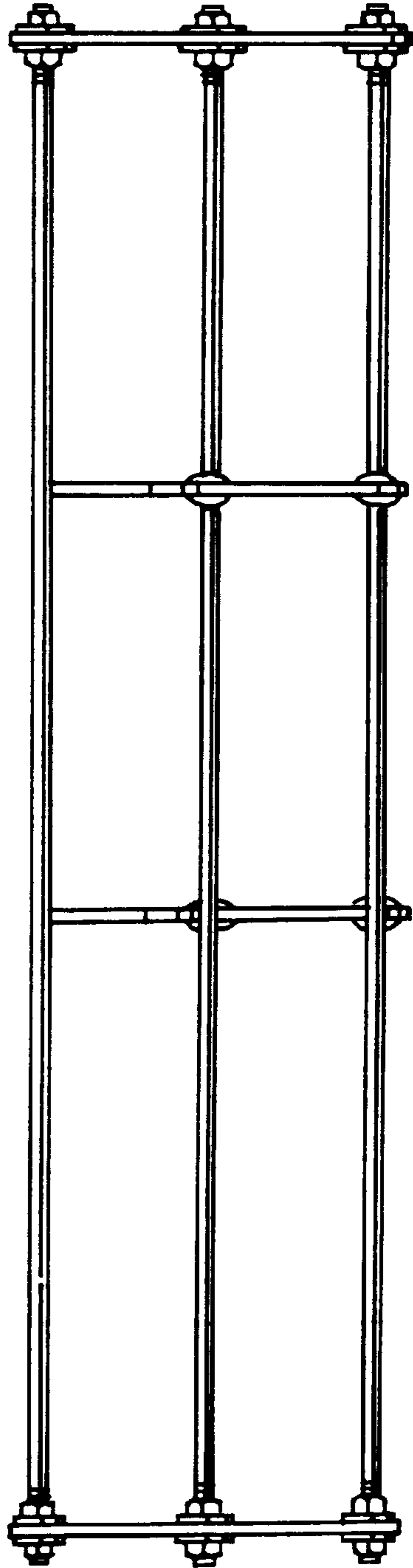


FIG. 7

FIG. 6

